



US00D915317S

(12) **United States Design Patent**
Kim et al.

(10) **Patent No.:** **US D915,317 S**

(45) **Date of Patent:** **** Apr. 6, 2021**

(54) **TELEVISION RECEIVER**

(71) Applicant: **LG Electronics Inc.**, Seoul (KR)

(72) Inventors: **Yongseok Kim**, Seoul (KR); **Yoonui Chong**, Seoul (KR); **Yooseok Kim**, Seoul (KR); **Misun Park**, Seoul (KR); **Minji Seo**, Seoul (KR)

(73) Assignee: **LG ELECTRONICS INC.**, Seoul (KR)

(**) Term: **15 Years**

(21) Appl. No.: **35/507,532**

(22) Filed: **Mar. 8, 2019**

(80) **Hague Agreement Data**

Int. Filing Date: **Mar. 8, 2019**

Int. Reg. No.: **DM/203390**

Int. Reg. Date: **Mar. 8, 2019**

Int. Reg. Pub. Date: **Oct. 18, 2019**

(30) **Foreign Application Priority Data**

Sep. 10, 2018 (KR) 30-2018-0042136

(51) **LOC (13) Cl.** **14-03**

(52) **U.S. Cl.**
USPC **D14/126; D14/128; D16/241**

(58) **Field of Classification Search**
USPC D6/300, 308, 310, 642, 643, 650.1,
D6/653.15, 654.15, 657, 661, 675;
(Continued)

(56) **References Cited**

U.S. PATENT DOCUMENTS

2,272,269 A * 2/1942 Heck G03B 21/58
160/24

2,377,553 A * 6/1945 Heck G03B 21/58
160/24

(Continued)

OTHER PUBLICATIONS

Vintage Da-Lite Silver Pacer Portable Projector Screen, auction close date May 14, 2015, [online][site visited Jul. 20, 2020] URL: https://www.anyandallauctions.com/THE_ORIGINAL_SILVER_SCREEN_VINTAGE_DA_LITE_SILVE-LOT12546.aspx?inventoryid=12546&seo=THE_ORIGINAL_SILVER_SCREEN_VINTAGE_DA_LITE_S (Year: 2015).*

Primary Examiner — L. A. Grabenstetter

(74) *Attorney, Agent, or Firm* — Birch, Stewart, Kolasch & Birch, LLP

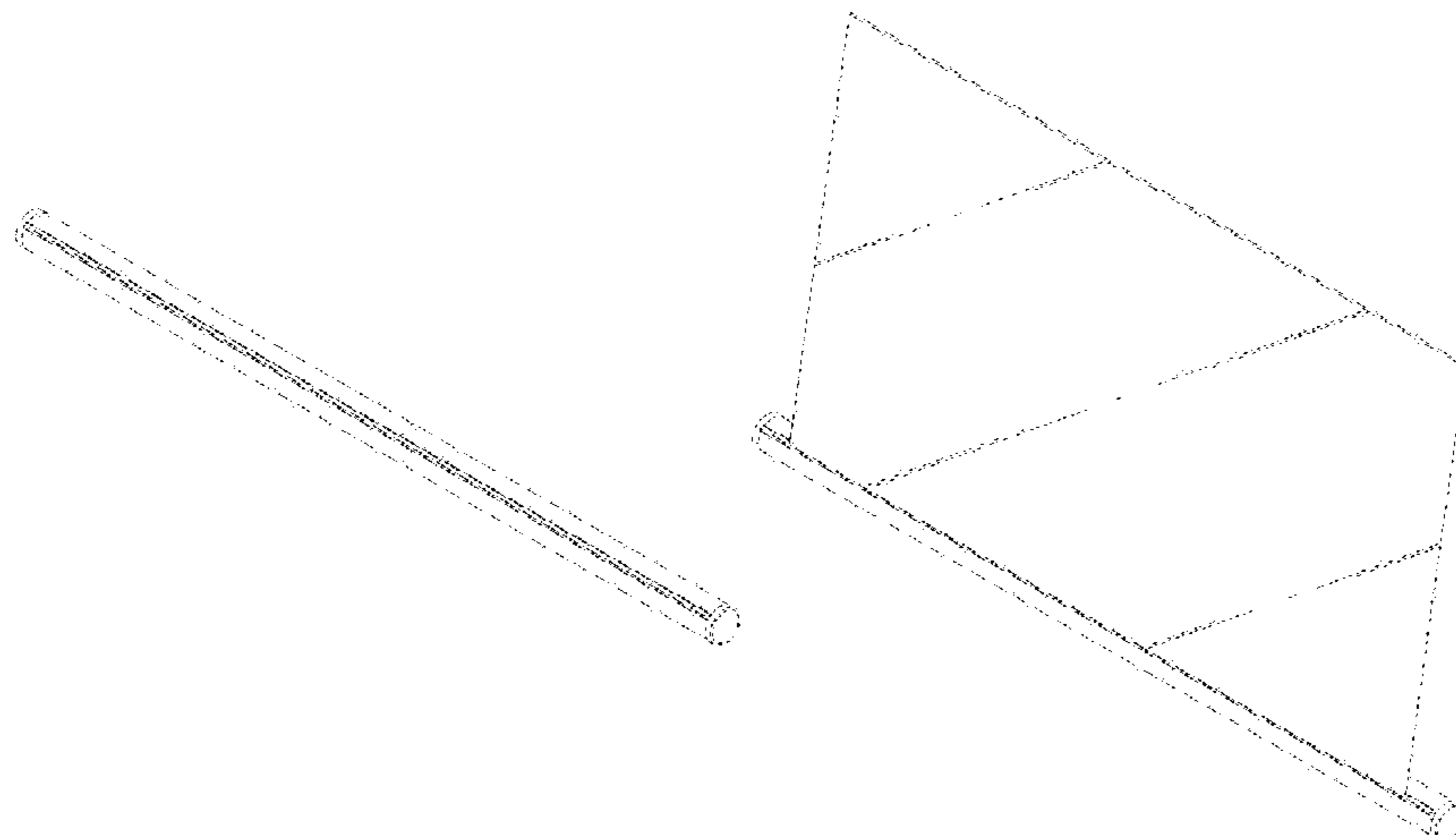
(57) **CLAIM**

The ornamental design for a television receiver, as shown and described.

DESCRIPTION

1. Television receiver
- 1.1 is a perspective view of the television receiver in a fully retracted condition
- 1.2 is a front view thereof
- 1.3 is a back view thereof
- 1.4 is a left side view thereof, where the right view is a mirror image
- 1.5 is a top view thereof
- 1.6 is a bottom view thereof
- 1.7 is a second perspective view with the screen shown in a partially extended condition
- 1.8 is a third perspective view with the screen shown in a fully extended condition
- 1.9 is a front view thereof
- 1.10 is a back view thereof
- 1.11 is a left view thereof, where the right view is a mirror image
- 1.12 is a top view thereof
- 1.13 is a bottom view thereof
- 1.14 is a second left view thereof, showing an example of the use state

(Continued)



The broken lines depicting an AV box in reproduction 1.14 represent environmental subject matter that forms no part of the claimed design.

1 Claim, 14 Drawing Sheets

(58) **Field of Classification Search**

USPC ... D14/125, 126, 127, 128, 129, 132, 138 R,
D14/138 AD, 336, 341, 373, 374, 375,
D14/376, 377; D16/229, 235, 241
CPC G06F 1/1601; G06F 1/1605; G06F 1/162
See application file for complete search history.

(56) **References Cited**

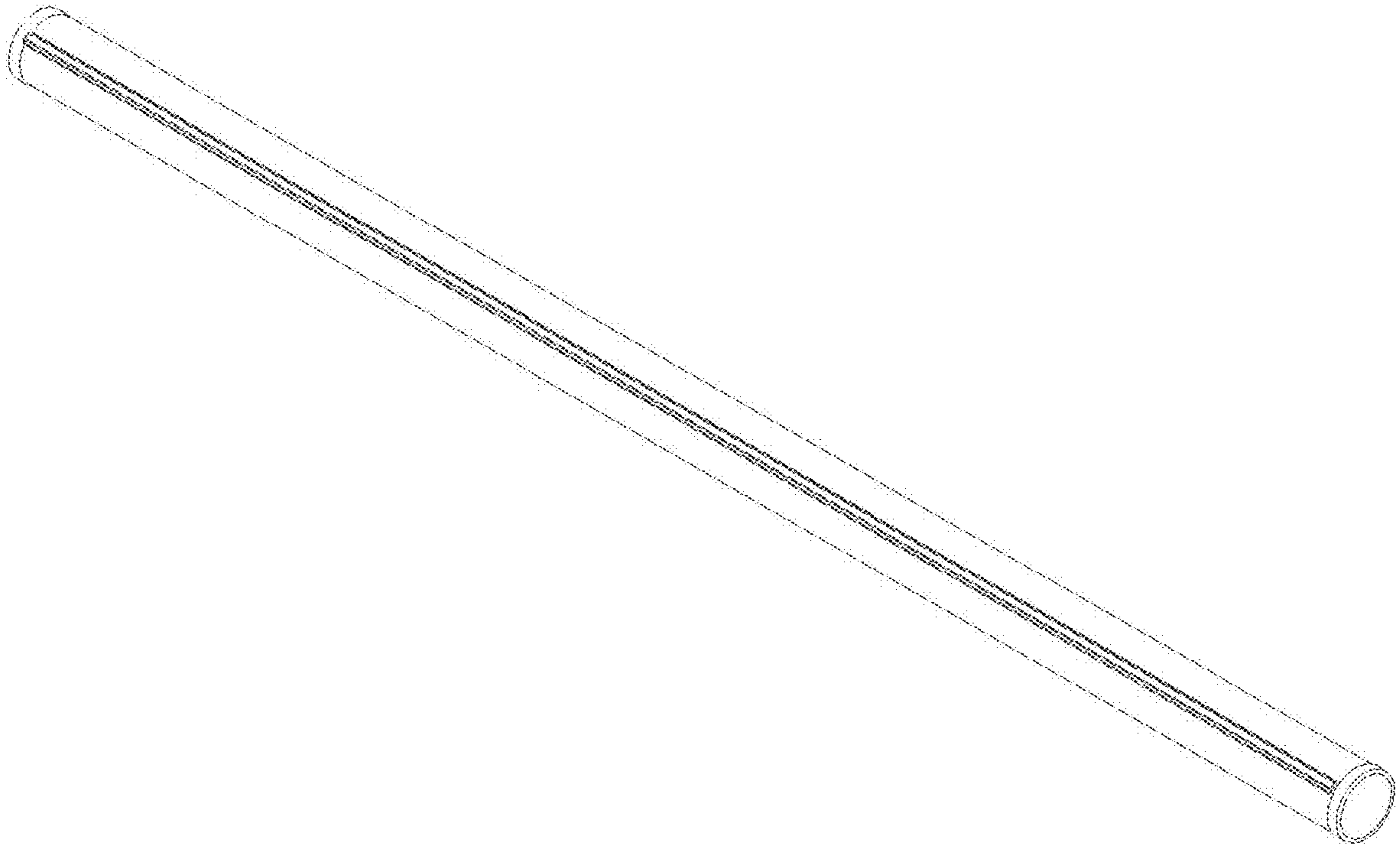
U.S. PATENT DOCUMENTS

3,251,264 A * 5/1966 Jacobson G03B 21/60
359/461
4,843,410 A * 6/1989 Kallenberg G03B 15/10
396/3
D366,055 S * 1/1996 Matsunaga 160/24

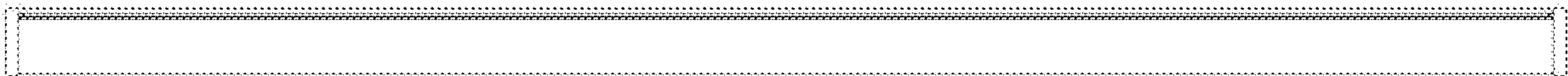
D568,364 S * 5/2008 Jeoung D16/241
D735,709 S * 8/2015 Daniel D14/341
D773,420 S * 12/2016 Kim D14/126
9,594,461 B1 * 3/2017 Daniel G02B 27/0093
D802,554 S * 11/2017 Cho D14/138 AD
D803,178 S * 11/2017 Cho D14/138 AD
D805,980 S * 12/2017 Lee D12/192
D821,347 S * 6/2018 Shin D14/138 R
D833,510 S * 11/2018 Jo D16/241
D835,596 S * 12/2018 Cho D14/138 AD
2003/0071800 A1 * 4/2003 Vincent G06F 1/1615
345/204
2005/0105748 A1 * 5/2005 Bartell H04R 7/04
381/306
2011/0279688 A1 * 11/2011 Liu H04N 5/2251
348/207.1
2014/0362512 A1 * 12/2014 Hinson G06F 1/1652
361/679.21
2015/0047796 A1 * 2/2015 Peng G06F 1/1652
160/323.1
2016/0112667 A1 * 4/2016 Park G06F 3/013
348/739
2016/0299531 A1 * 10/2016 Vertegaal G06F 1/1652

* cited by examiner

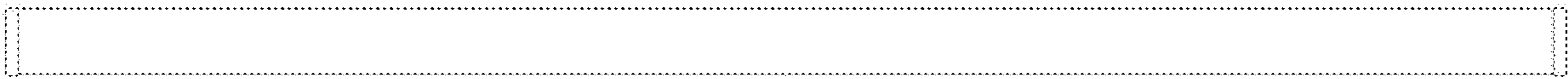
1.1



1.2



1.3



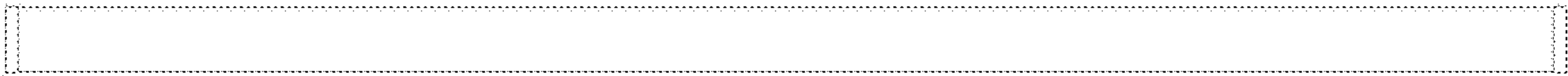
1.4



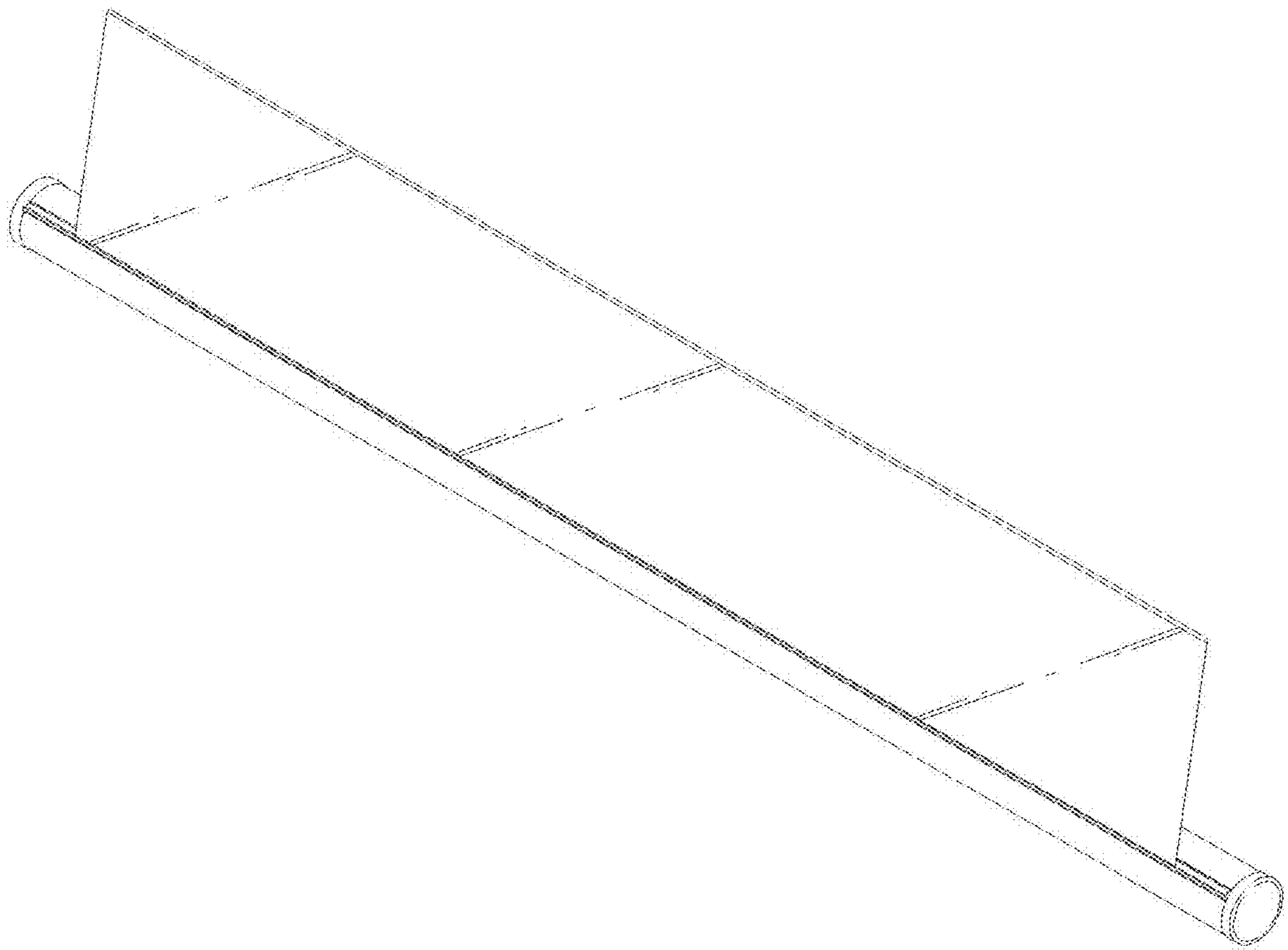
1.5



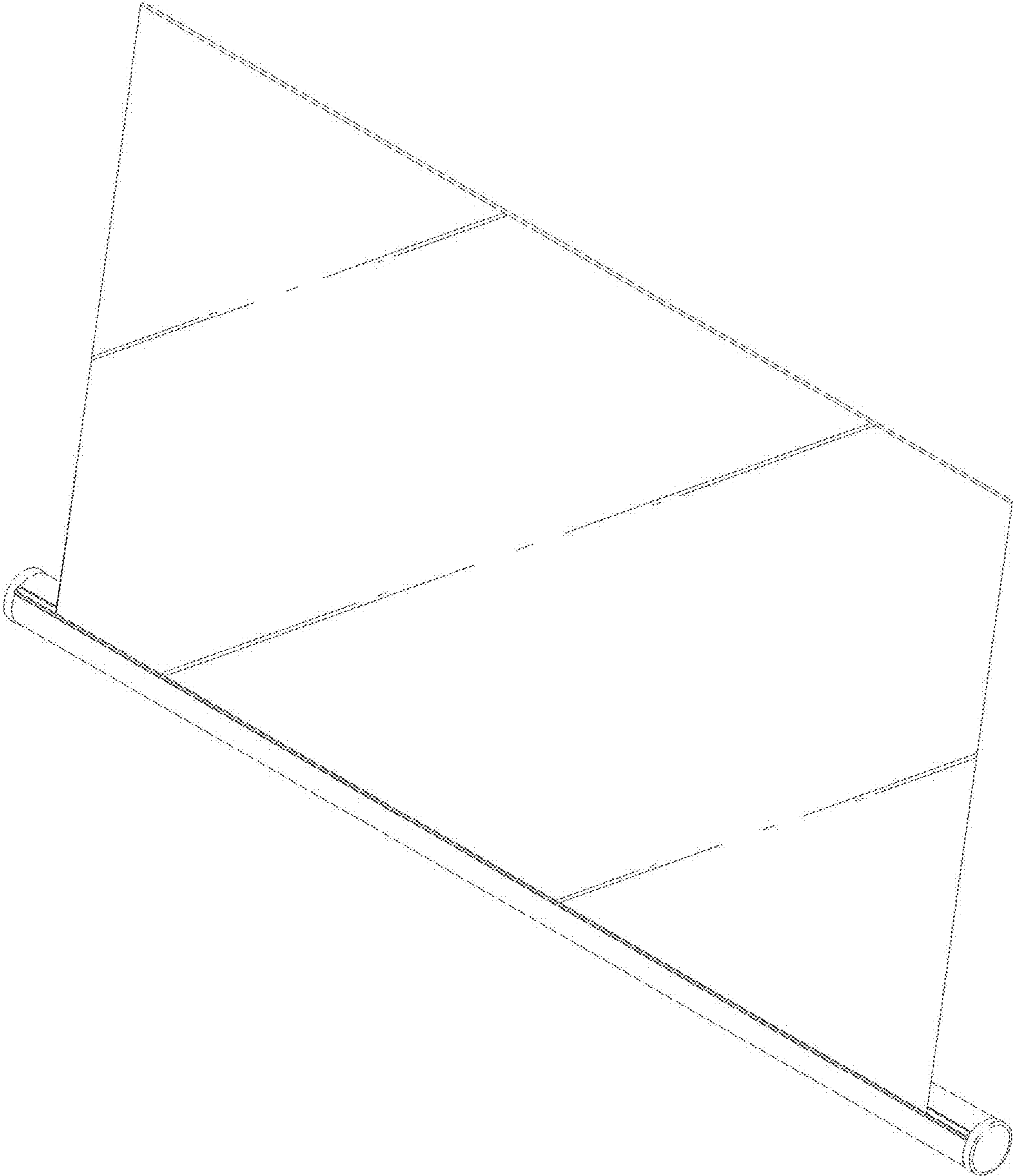
1.6



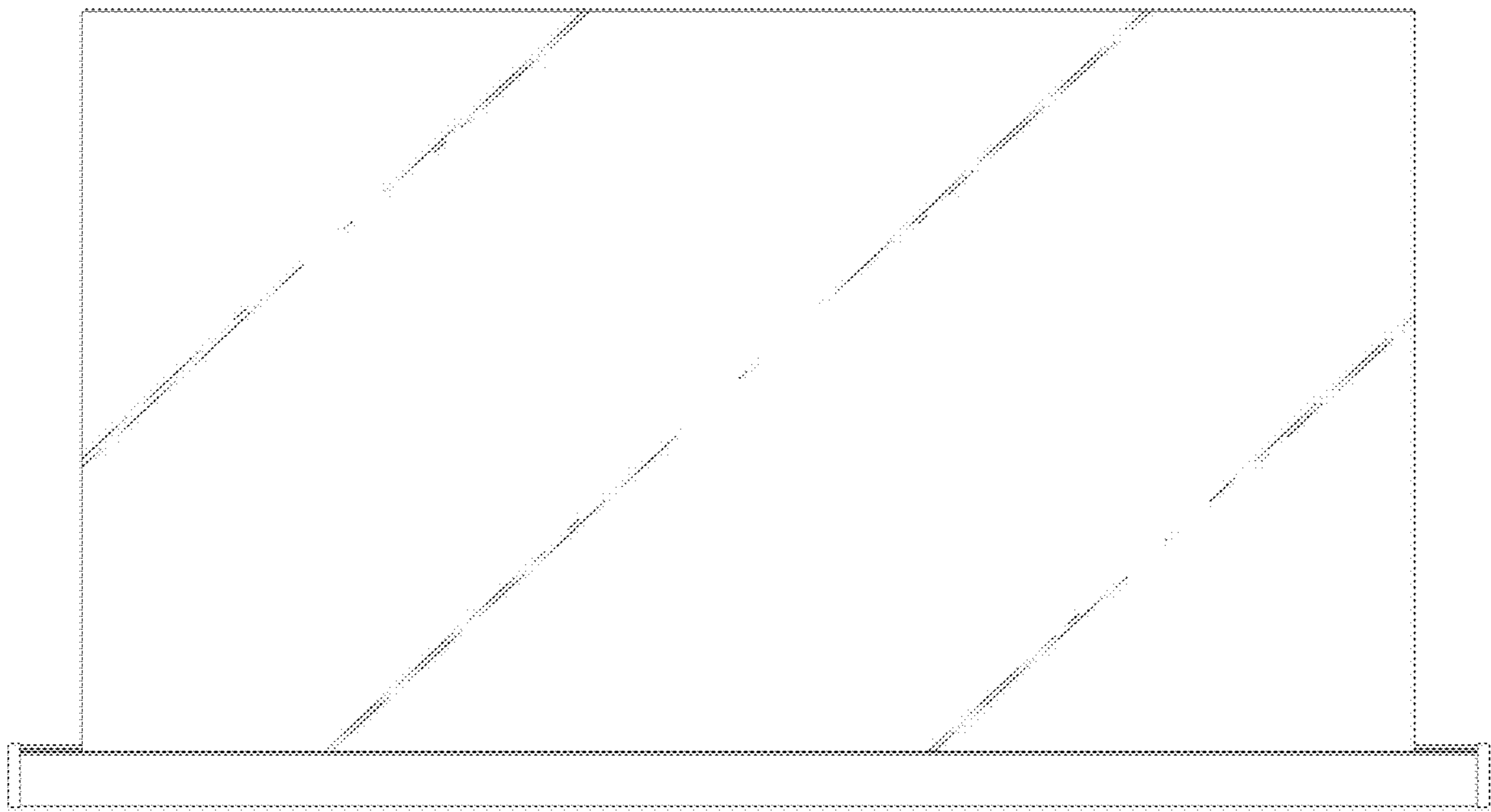
1.7



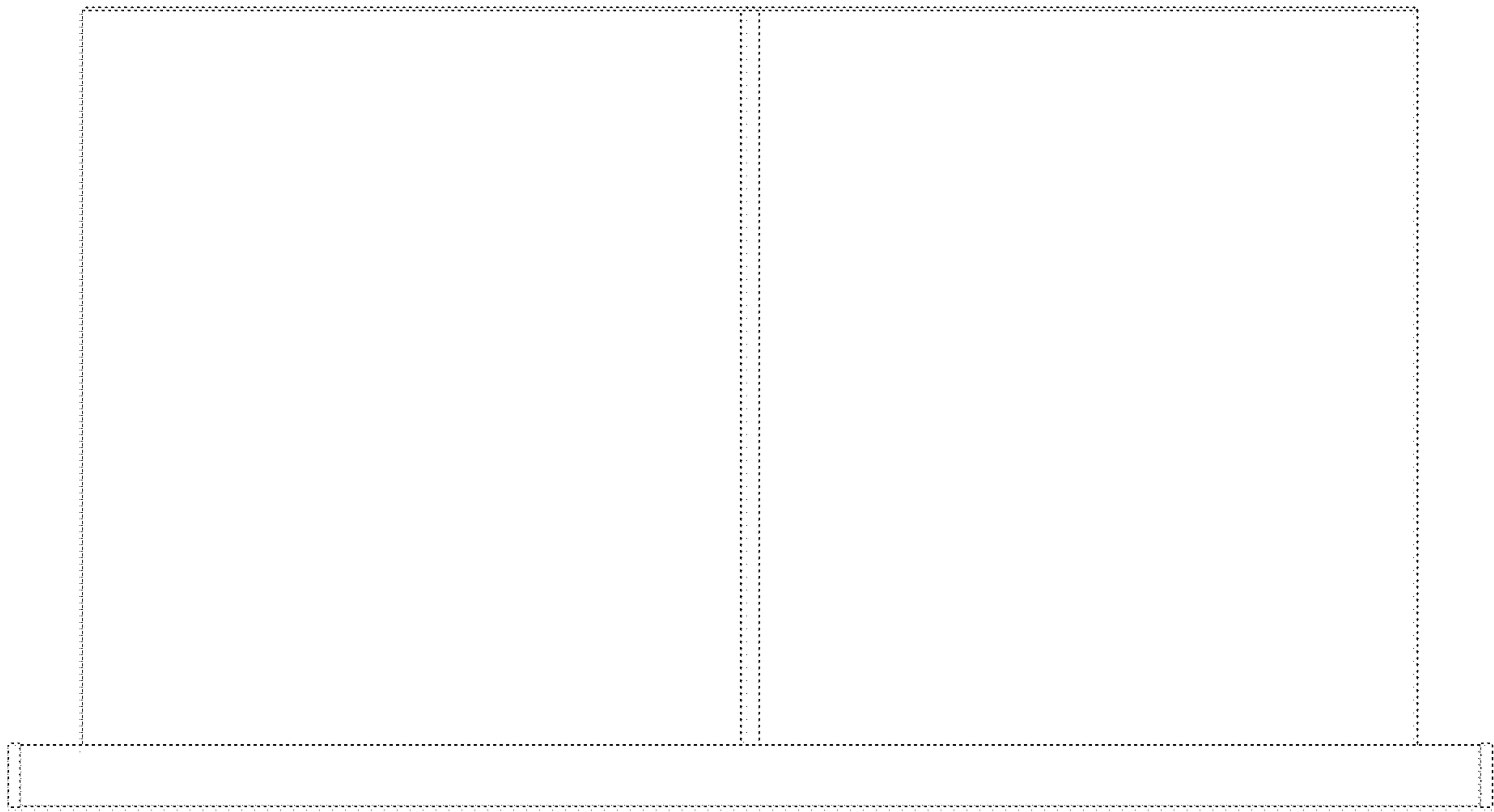
1.8



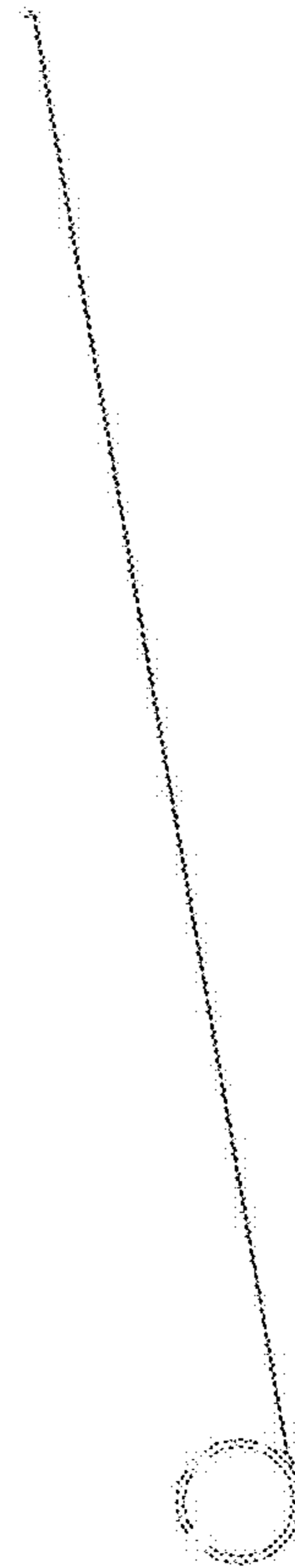
1.9



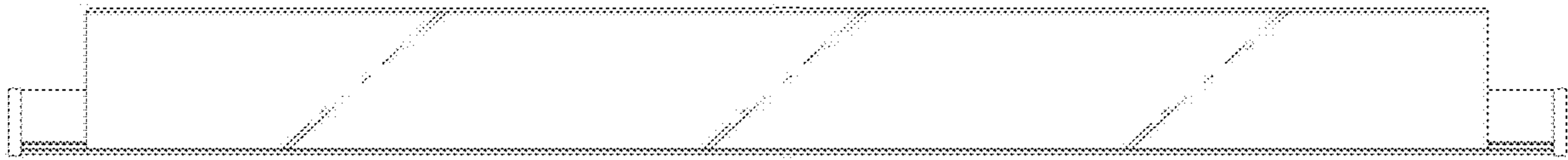
1.10



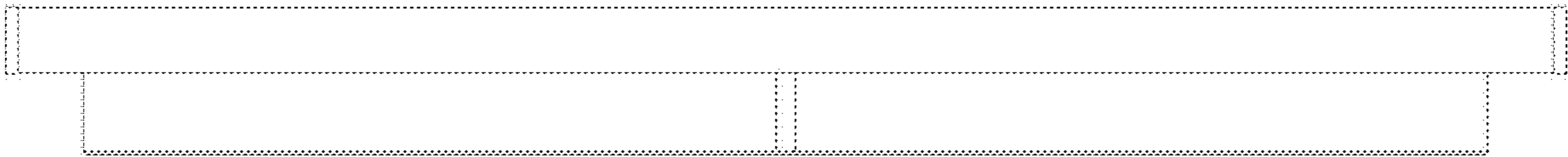
1.11



1.12



1.13



1.14

