



US00D915316S

(12) **United States Design Patent**
Cha et al.

(10) **Patent No.:** **US D915,316 S**
(45) **Date of Patent:** **** Apr. 6, 2021**

(54) **TELEVISION RECEIVER**

(71) Applicant: **LG ELECTRONICS INC.**, Seoul (KR)

(72) Inventors: **Hyunbyung Cha**, Seoul (KR); **Seokkyu Kang**, Seoul (KR); **Seonkyu Kim**, Seoul (KR); **Yunjoo Kim**, Seoul (KR); **Jongho Kim**, Seoul (KR); **Minjae Lee**, Seoul (KR)

(73) Assignee: **LG ELECTRONICS INC.**, Seoul (KR)

(**) Term: **15 Years**

(21) Appl. No.: **35/506,290**

(22) Filed: **Jul. 11, 2018**

(80) **Hague Agreement Data**

Int. Filing Date: **Jul. 11, 2018**
Int. Reg. No.: **DM/102316**
Int. Reg. Date: **Jul. 11, 2018**
Int. Reg. Pub. Date: **Jan. 11, 2019**

(30) **Foreign Application Priority Data**

Jan. 12, 2018 (KR) 30-2018-0002082

(51) **LOC (13) Cl.** **14-03**

(52) **U.S. Cl.**
USPC **D14/126**

(58) **Field of Classification Search**

USPC D6/300, 308, 310, 642, 643, 650.1, D6/653.15, 654.15, 657, 661, 675;
(Continued)

(56) **References Cited**

U.S. PATENT DOCUMENTS

D20,350 S * 11/1890 Shepperd D6/300
2,268,529 A * 12/1941 Stiles G03B 21/64
40/702

(Continued)

OTHER PUBLICATIONS

iPhone Photo Printer Comparison: Pick the Best Printer for You, publication date Feb. 23, 2017, [online][site visited Oct. 24, 2019] URL: <https://iphonophotographyschool.com/iphone-photo-printer/> (Year: 2017).*

Primary Examiner — L. A. Grabenstetter
(74) *Attorney, Agent, or Firm* — Birch, Stewart, Kolasch & Birch, LLP

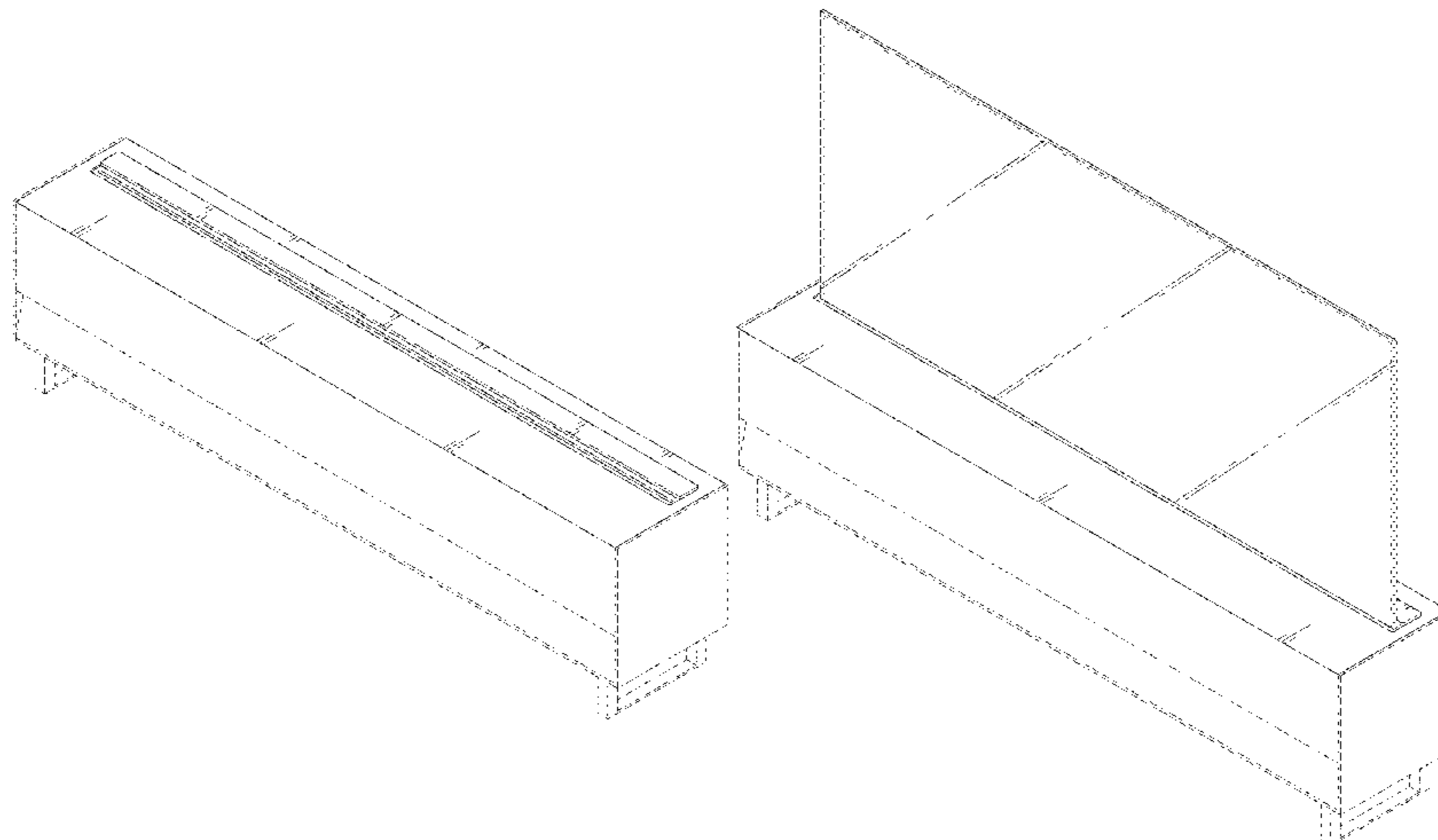
(57) **CLAIM**

The ornamental design for a television receiver, as shown and described.

DESCRIPTION

- 1. Television receiver
- 1.1 : Perspective, shown with the display in a fully retracted position
- 1.2 : Front
- 1.3 : Back
- 1.4 : Left, the Right being a mirror image
- 1.5 : Top
- 1.6 : Bottom
- 1.7 : Perspective 2, shown with the display in a partially extended position
- 1.8 : Front 2
- 1.9 : Back 2
- 1.10 : Left 2 , the Right 2 being a mirror image
- 1.11 : Top 2
- 1.12 : Bottom 2
- 1.13 : Perspective 3, shown with the display in a further partially extended position
- 1.14 : Front 3
- 1.15 : Back 3
- 1.16 : Left 3, the Right 3 being a mirror image
- 1.17 : Top 3
- 1.18 : Bottom 3
- 1.19 : Perspective 4, shown with the display in a fully extended position
- 1.20 : Front 4
- 1.21 : Back 4
- 1.22 : Left 4, the Right 4 being a mirror image

(Continued)



1.23 : Top 4

1.24 : Bottom 4

The broken lines depict portions of the television receiver that form no part of the claimed design. The front surface and the back surface adjacent to the top surface and devoid of shading form no part of the claimed design.

1 Claim, 24 Drawing Sheets

(58) **Field of Classification Search**

USPC D14/125, 126, 127, 128, 129, 132, 336,
D14/341, 373, 374, 375, 376, 377, 138,
D14/204; D16/229, 235
CPC G06F 1/1601; G06F 1/1605; G06F 1/162
See application file for complete search history.

(56) **References Cited**

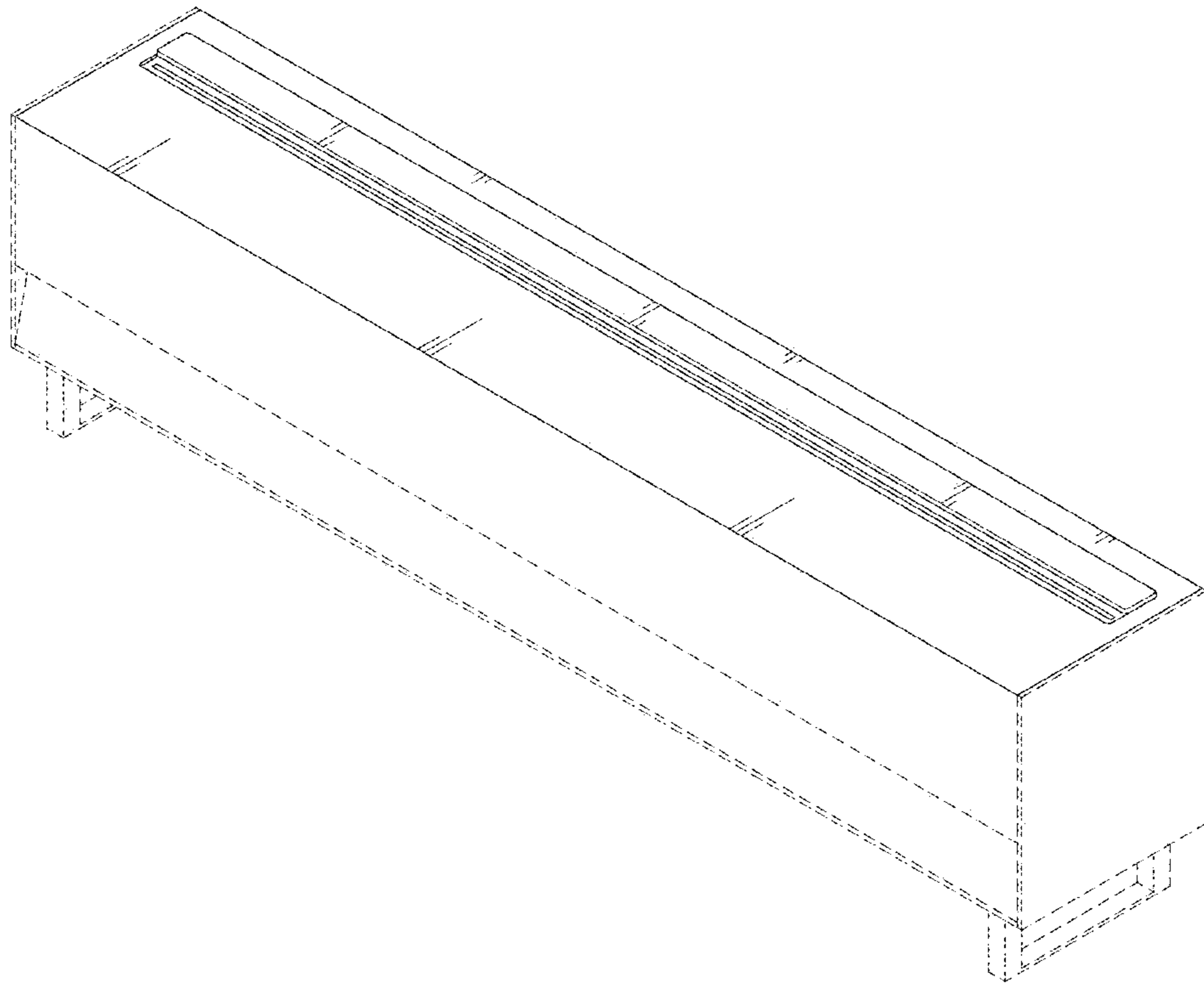
U.S. PATENT DOCUMENTS

D179,404 S * 12/1956 Aiken D14/126
D343,396 S * 1/1994 Yamashita D14/128
5,287,641 A * 2/1994 Showers G09F 1/12
40/124.09
D382,017 S * 8/1997 Bohr D20/10
D396,562 S * 8/1998 Kenney D6/300

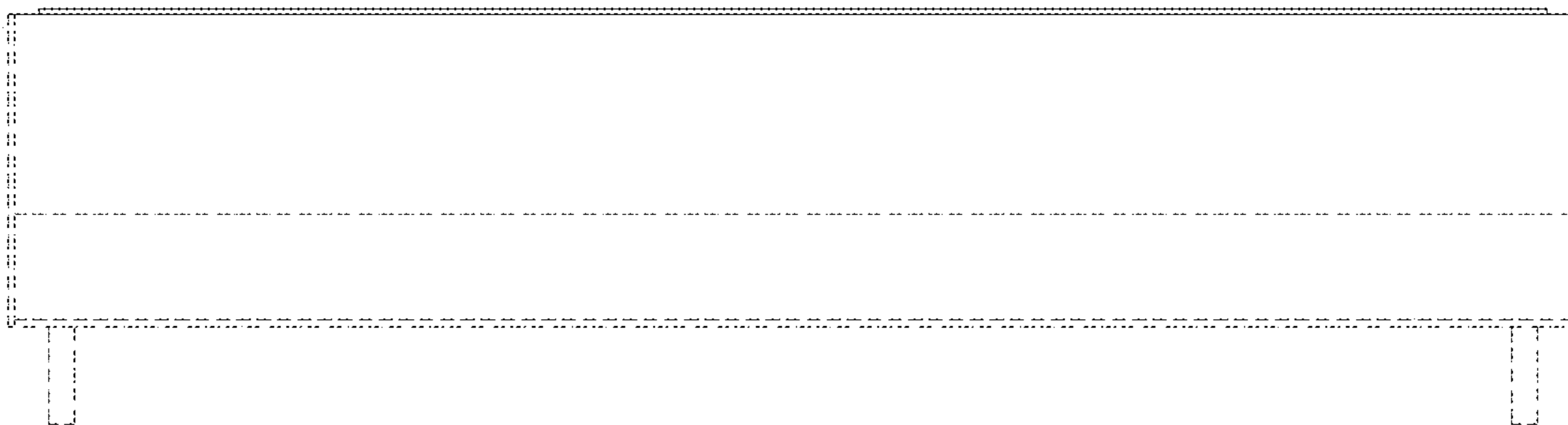
D423,796 S * 5/2000 Kwan D6/300
D446,027 S * 8/2001 LeFevre D6/300
D462,841 S * 9/2002 Wilson D6/300
D476,818 S * 7/2003 Stravitz D6/300
6,680,724 B2 * 1/2004 Lichtfuss G06F 1/1626
345/102
D497,485 S * 10/2004 Resultan D6/300
D517,328 S * 3/2006 Thrall D6/300
D540,275 S * 4/2007 Lewis D14/126
D716,870 S * 11/2014 Jungst D19/91
D731,460 S * 6/2015 Miyoshi D14/204
D737,234 S * 8/2015 Kim D14/126
D740,571 S * 10/2015 Gorham D6/300
D741,835 S * 10/2015 Gundlach D14/204
D742,344 S * 11/2015 Kim D14/126
D742,651 S * 11/2015 Sands D6/300
D744,998 S * 12/2015 Ahn D14/341
D776,072 S * 1/2017 Kim D14/126
D802,549 S * 11/2017 Kim D14/126
D805,980 S * 12/2017 Lee D12/192
D807,844 S * 1/2018 Kim D14/126
D807,845 S * 1/2018 Kim D14/126
D818,977 S * 5/2018 Kim D14/126
D821,342 S * 6/2018 Kim D14/126
D823,823 S * 7/2018 Kim D14/126
D826,882 S * 8/2018 Han D14/126
D834,549 S * 11/2018 Cho D14/138 AD
D836,076 S * 12/2018 Cho D14/138 AD

* cited by examiner

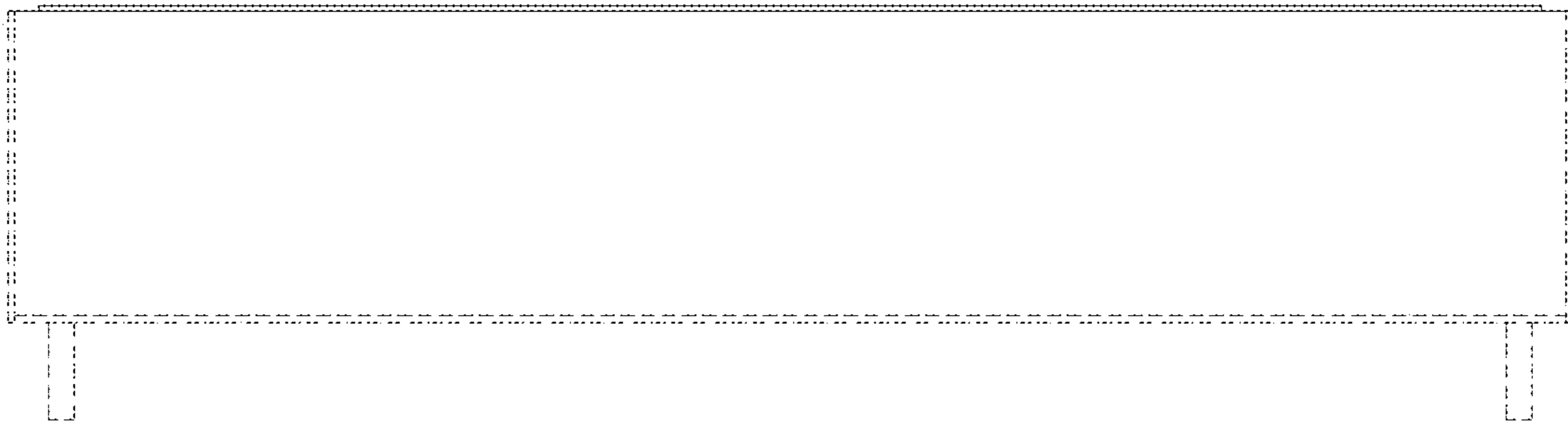
1.1



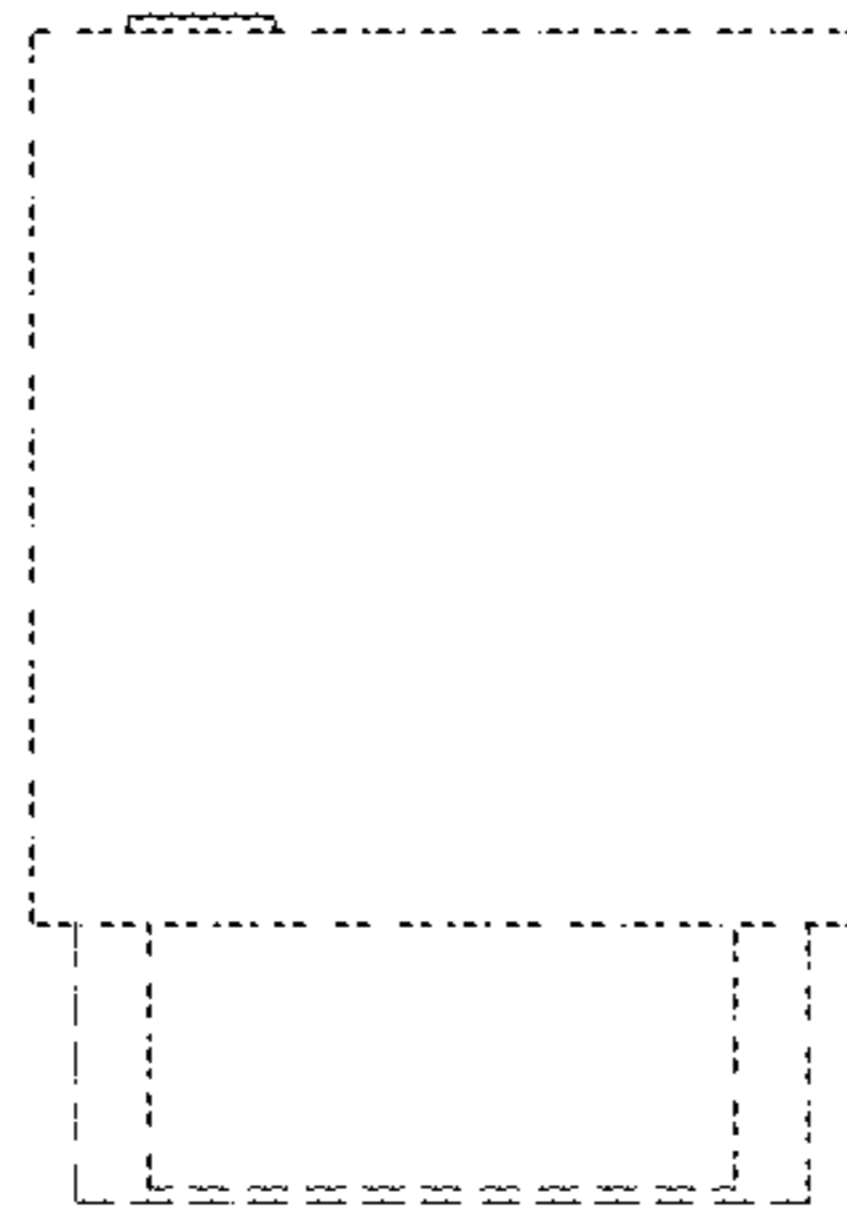
1.2



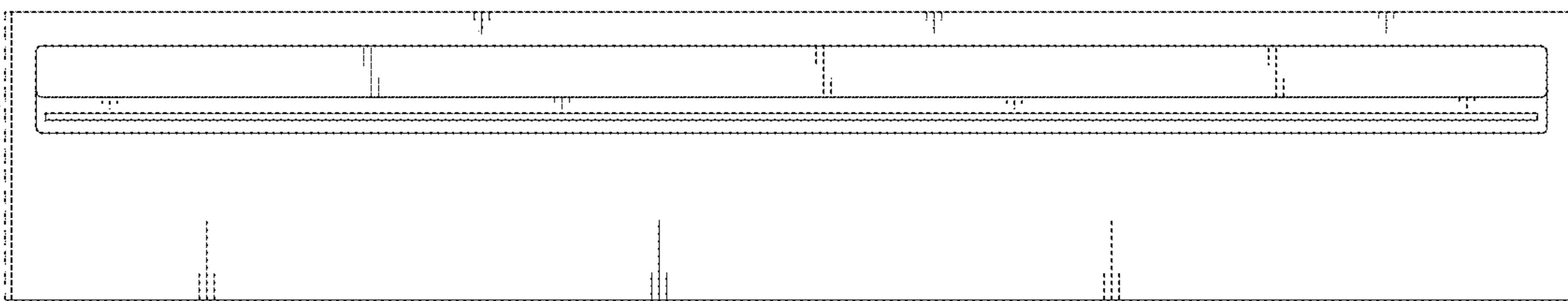
1.3



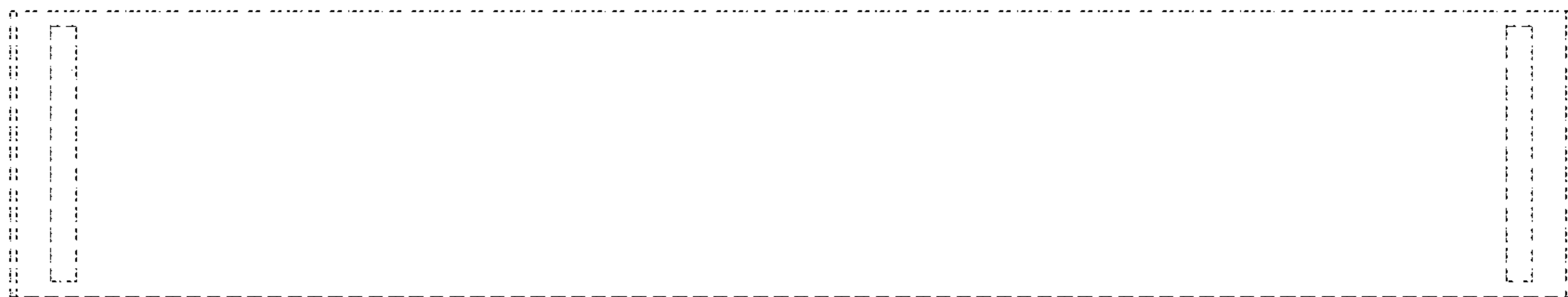
1.4



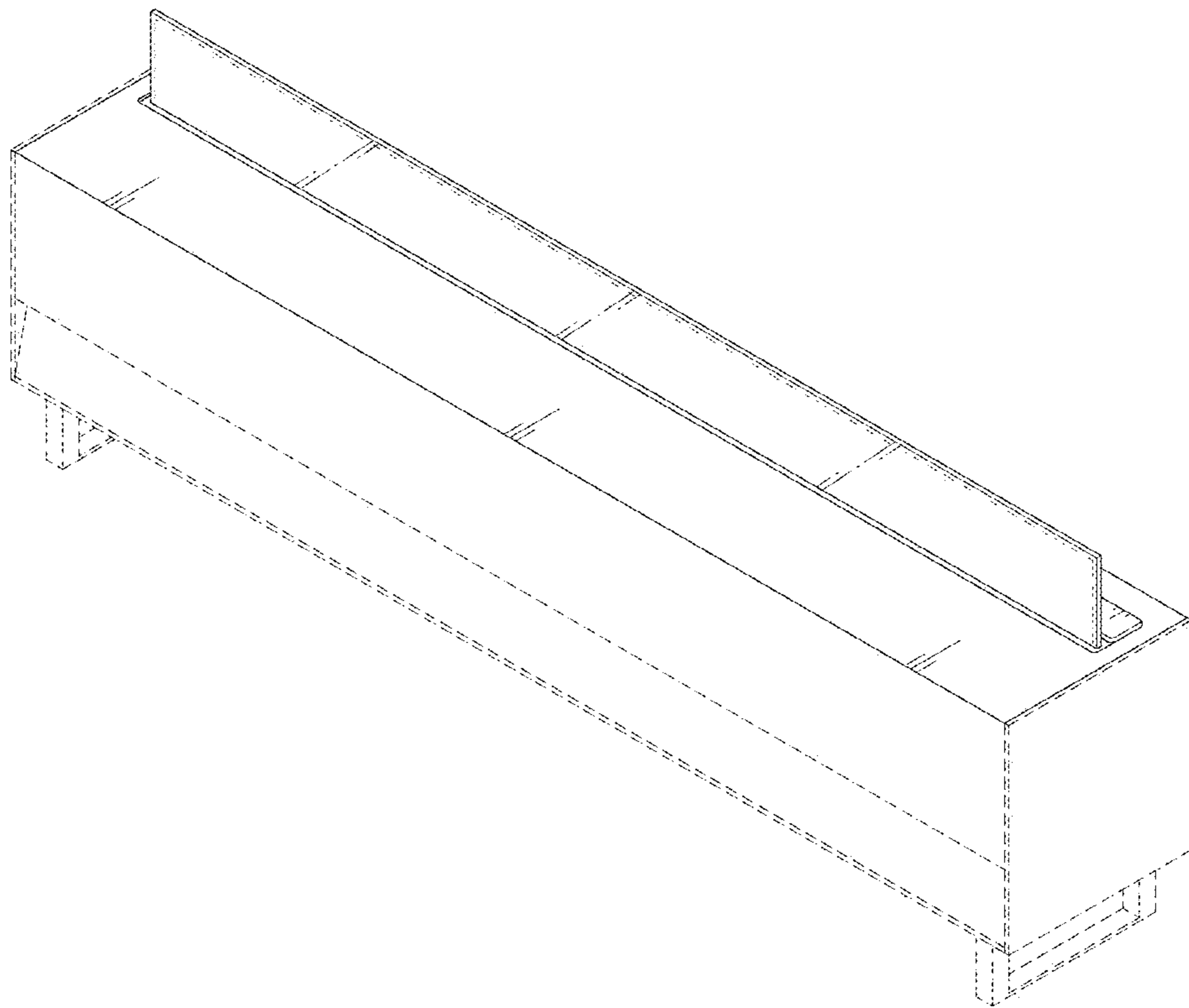
1.5



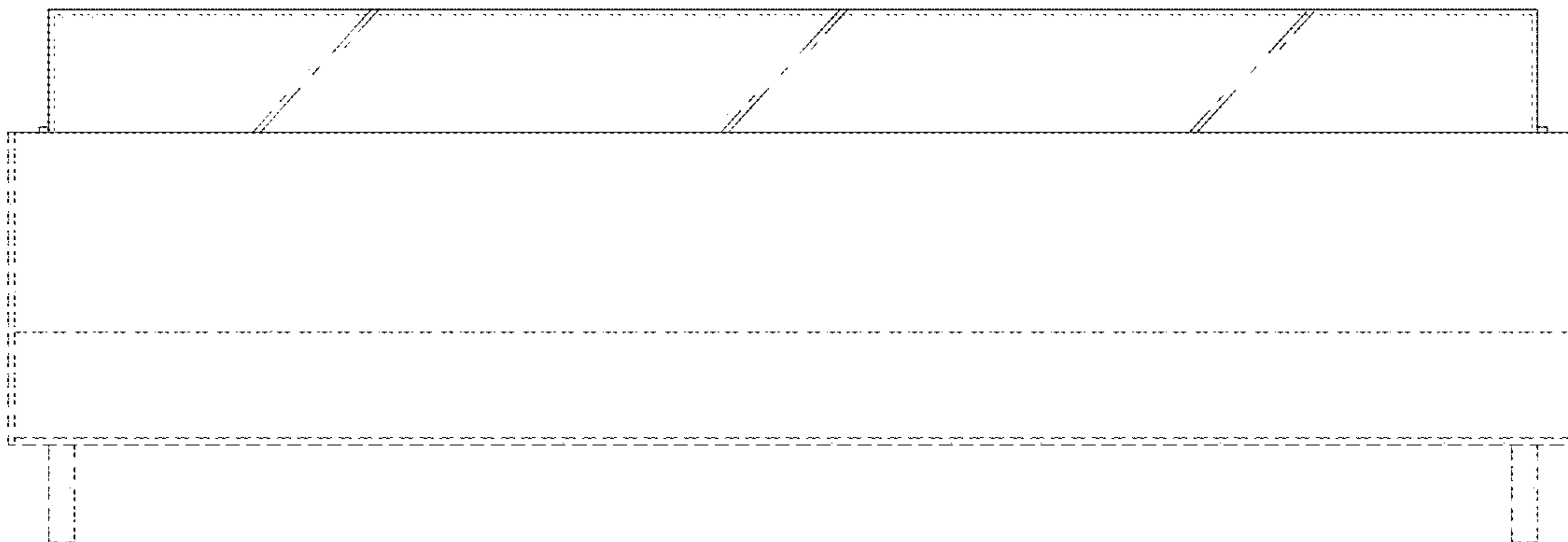
1.6



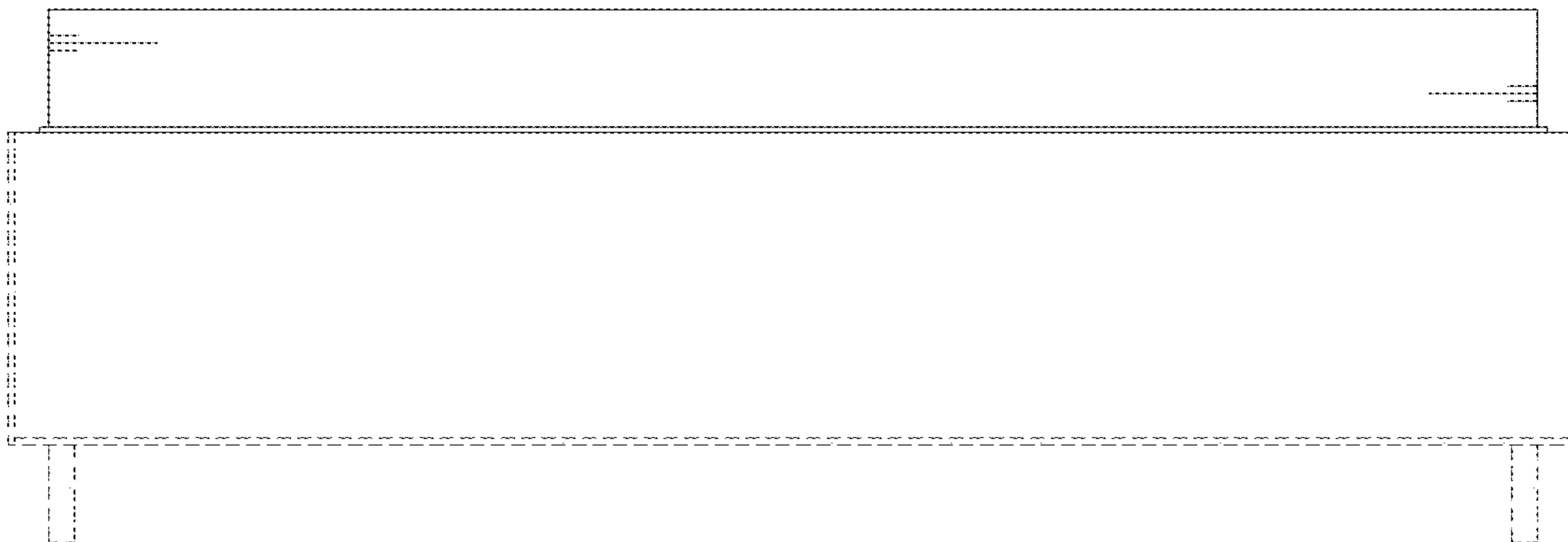
1.7



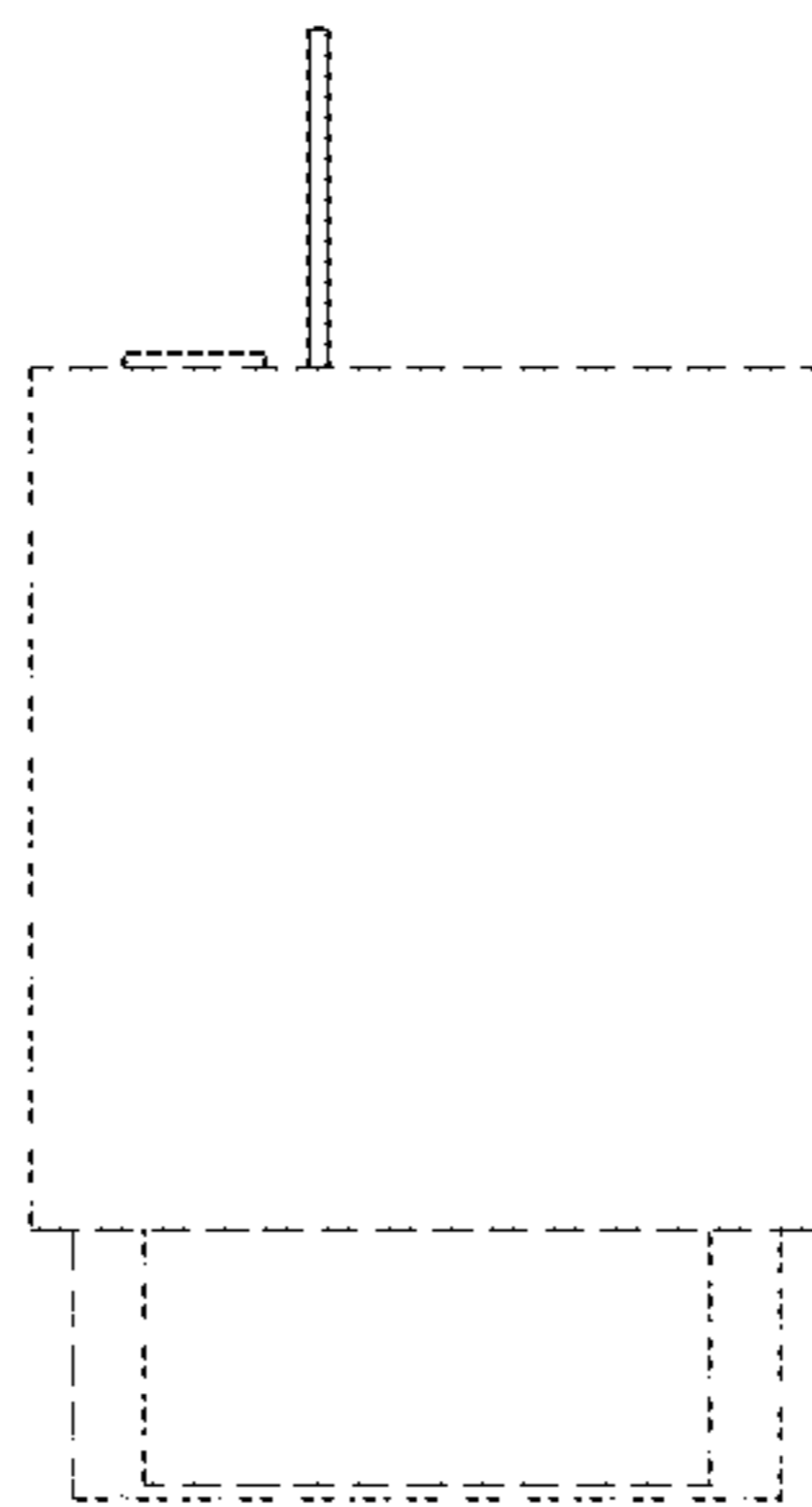
1.8



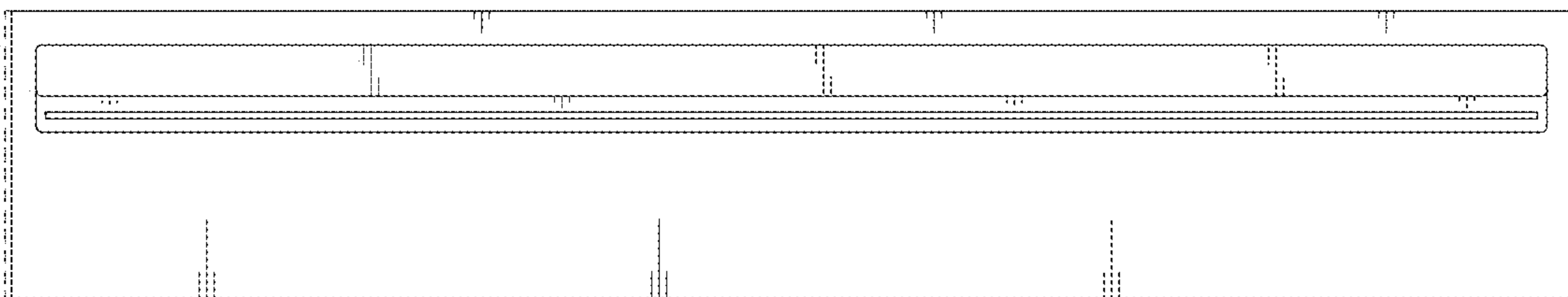
1.9



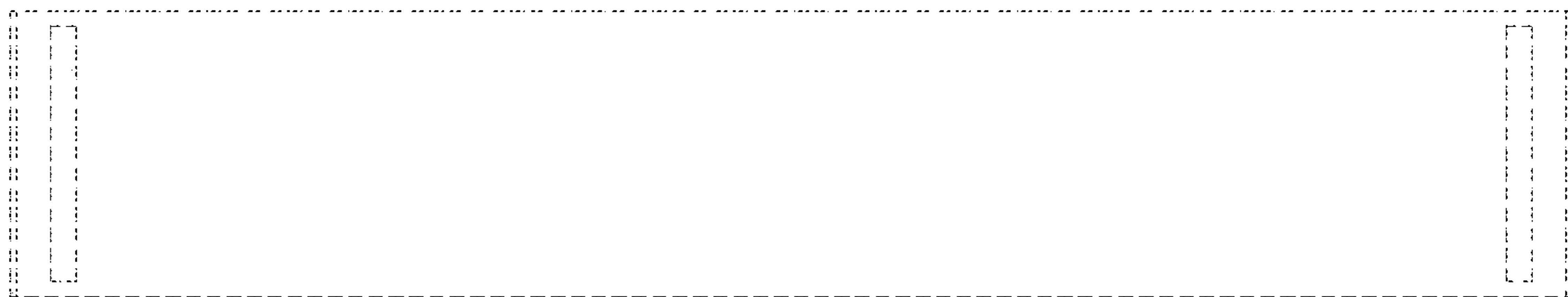
1.10



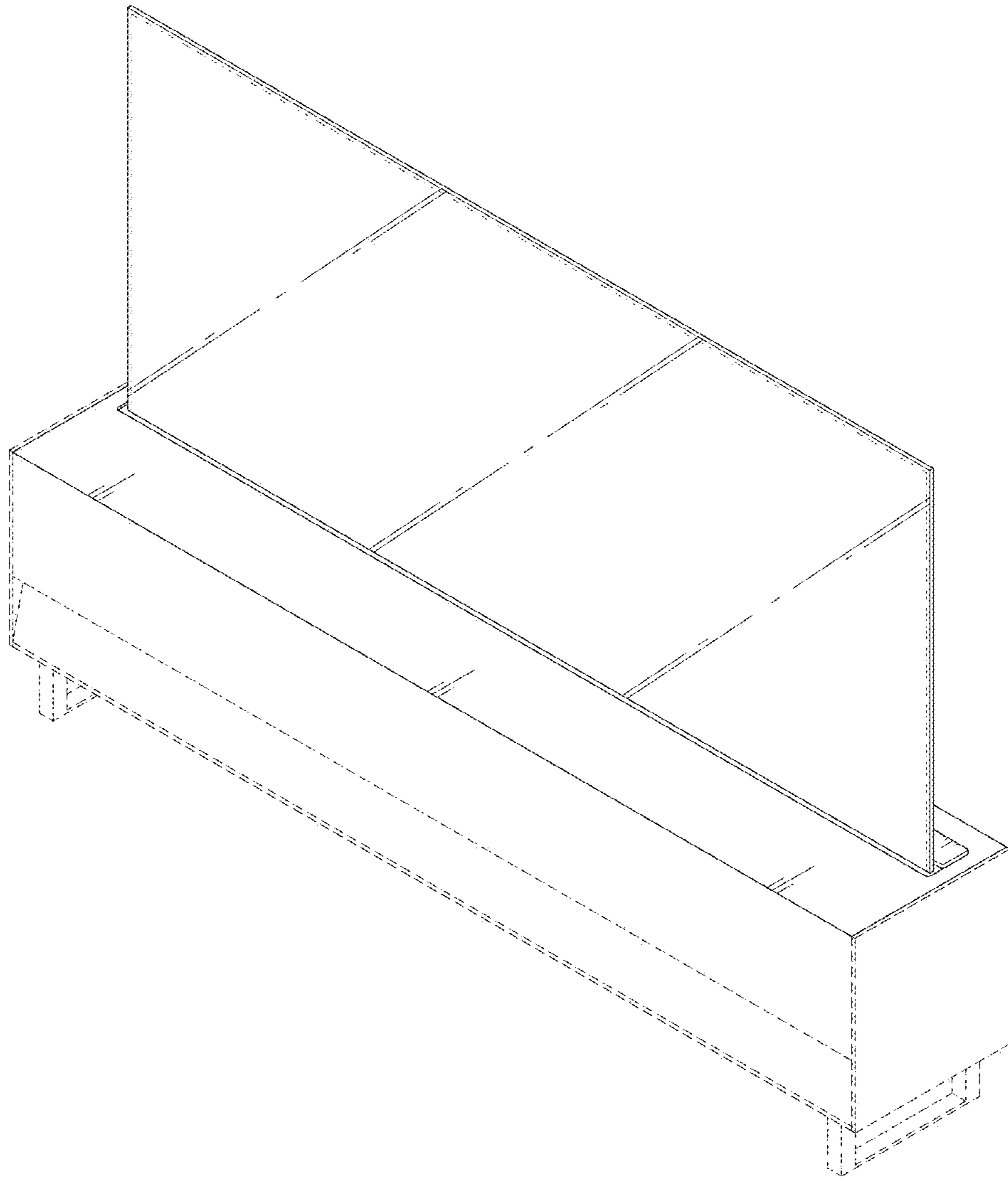
1.11



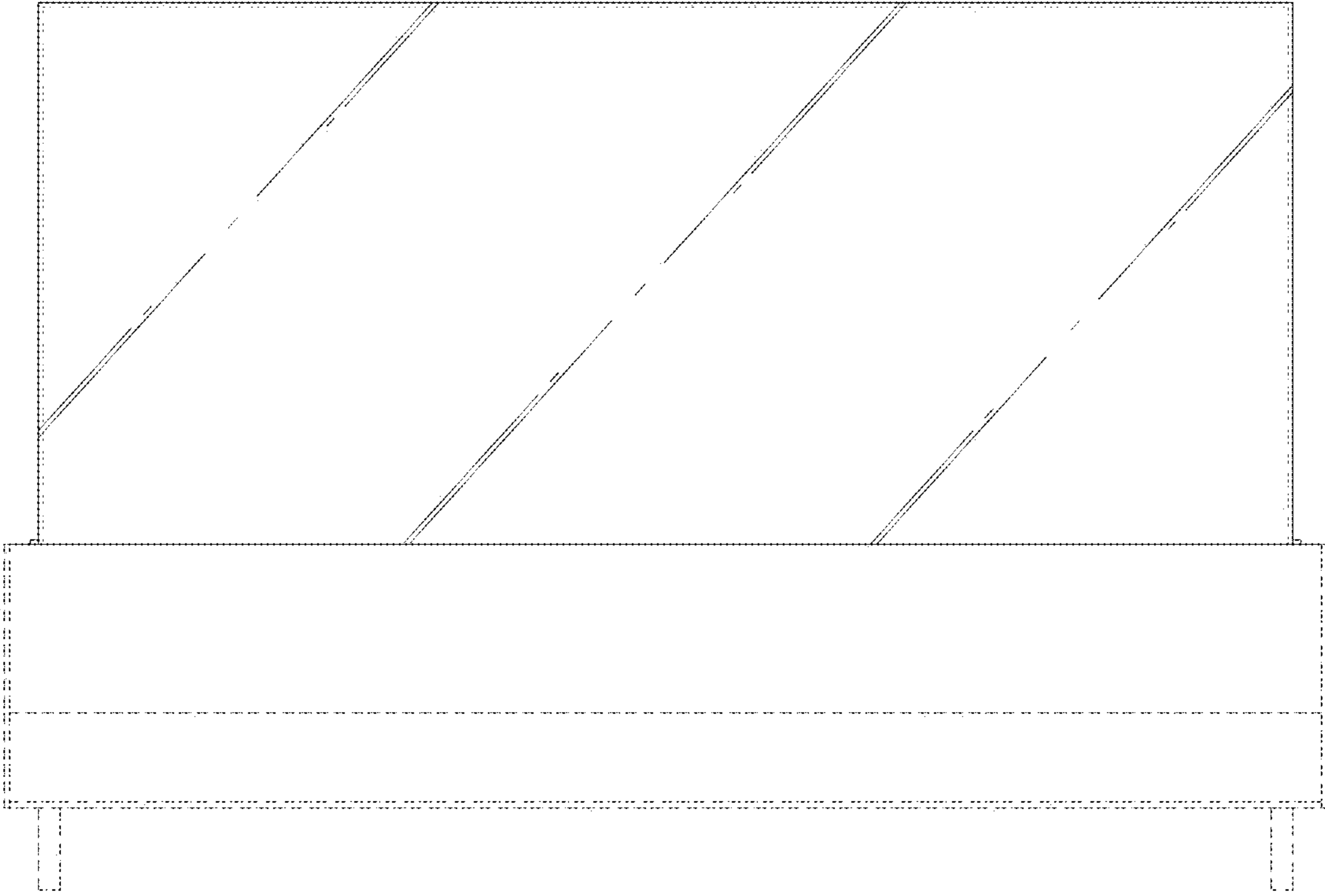
1.12



1.13



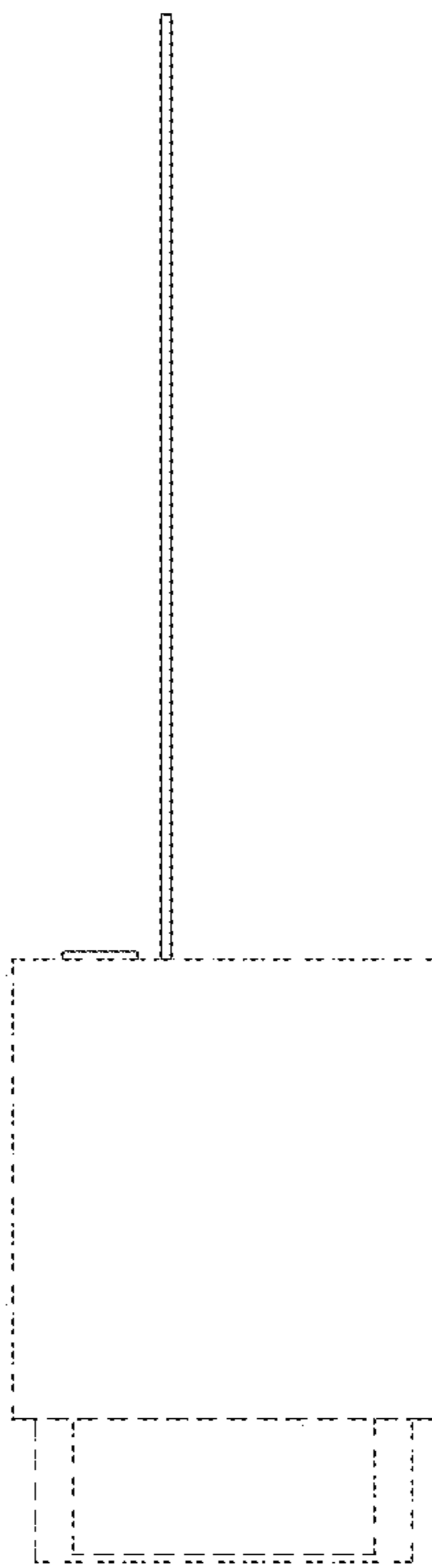
1.14



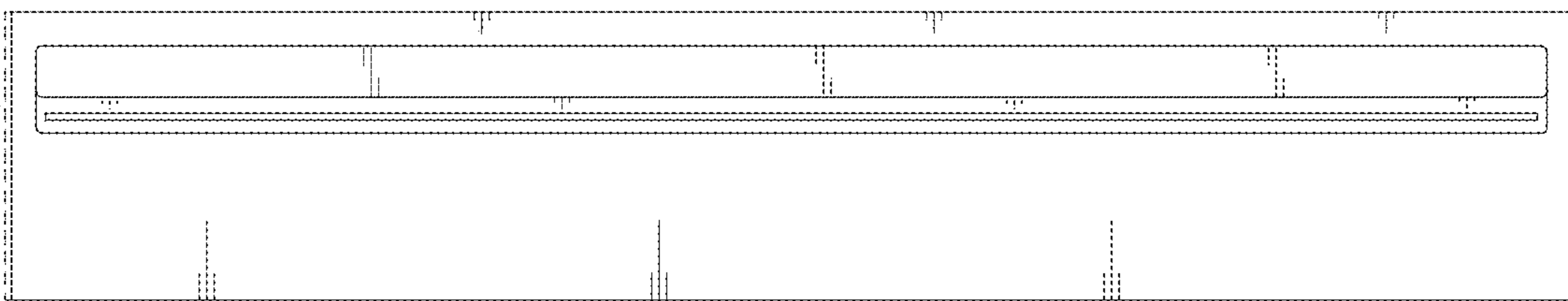
1.15



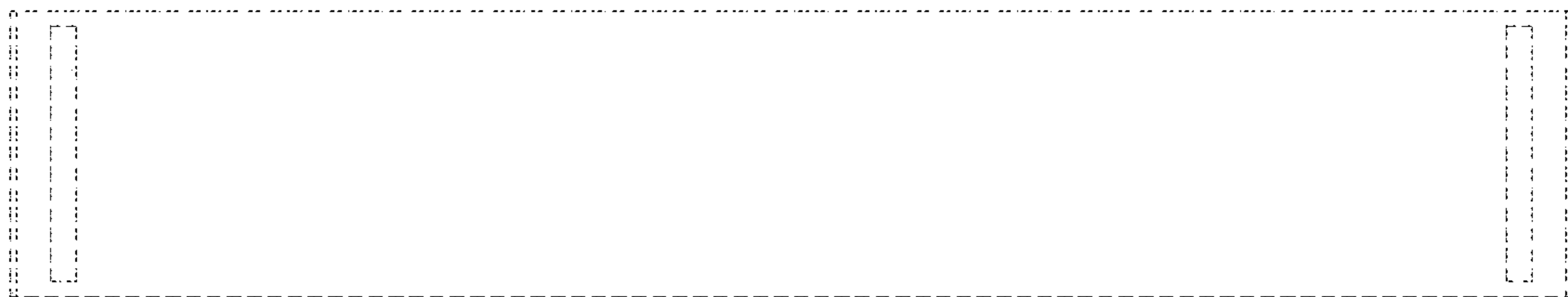
1.16



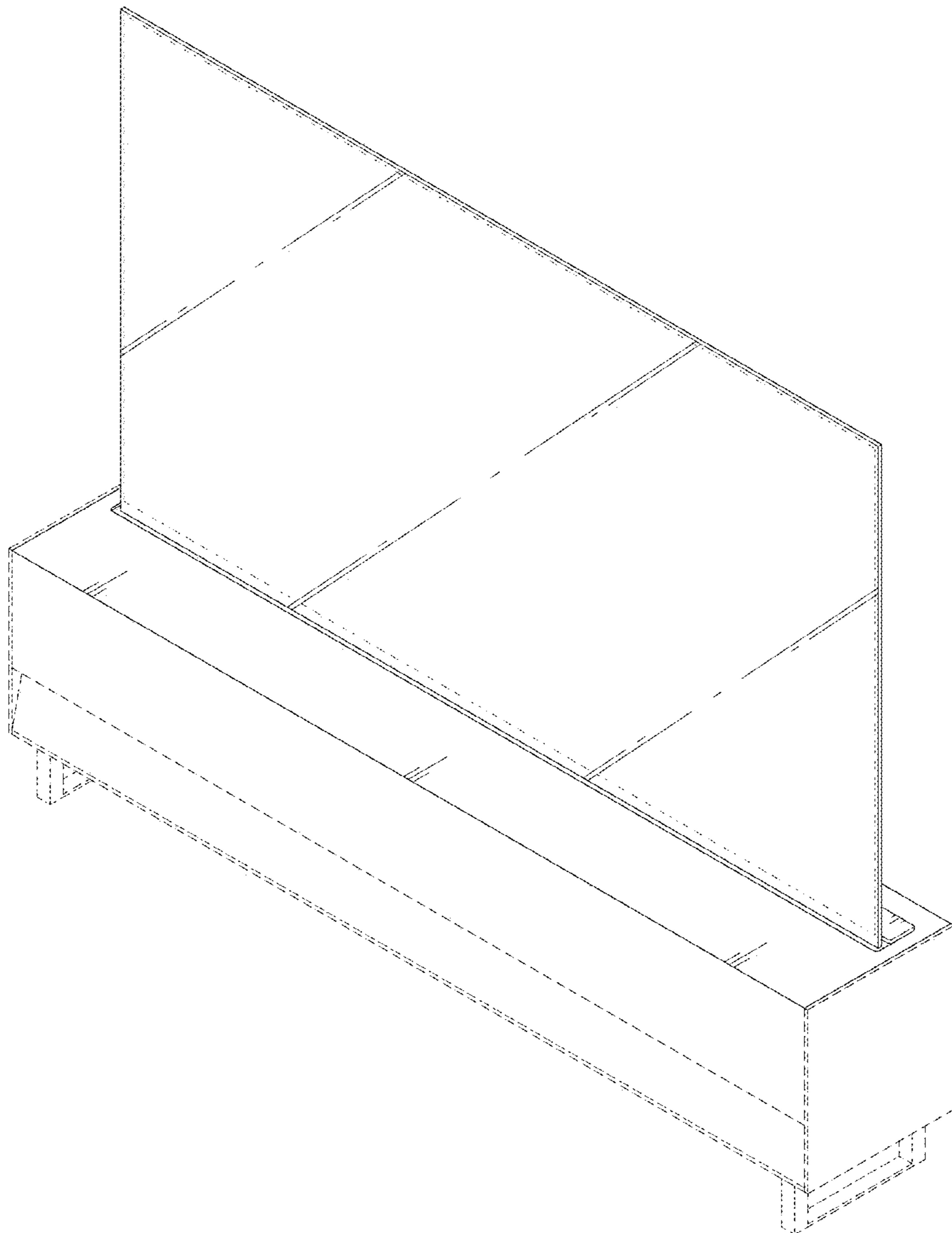
1.17



1.18



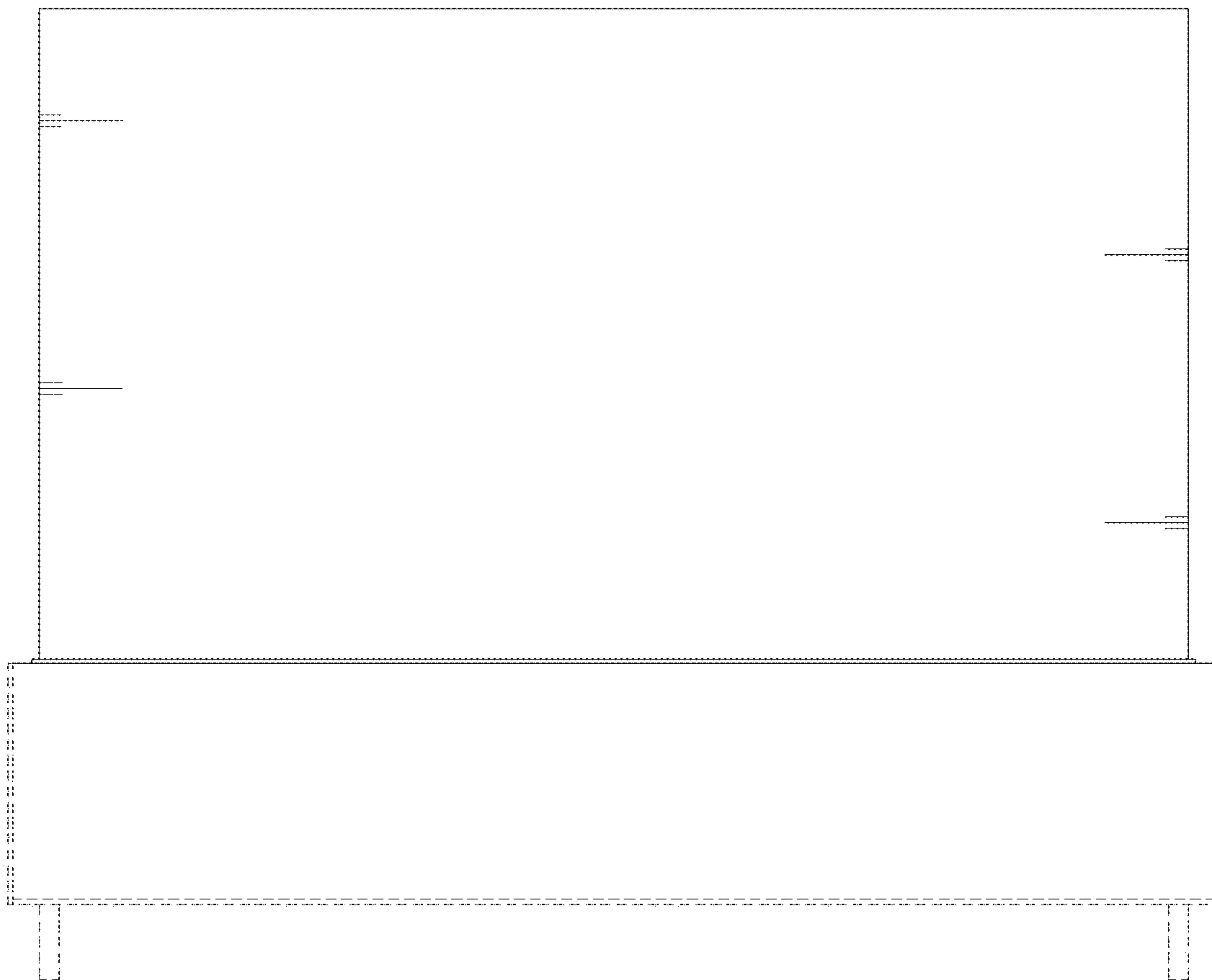
1.19



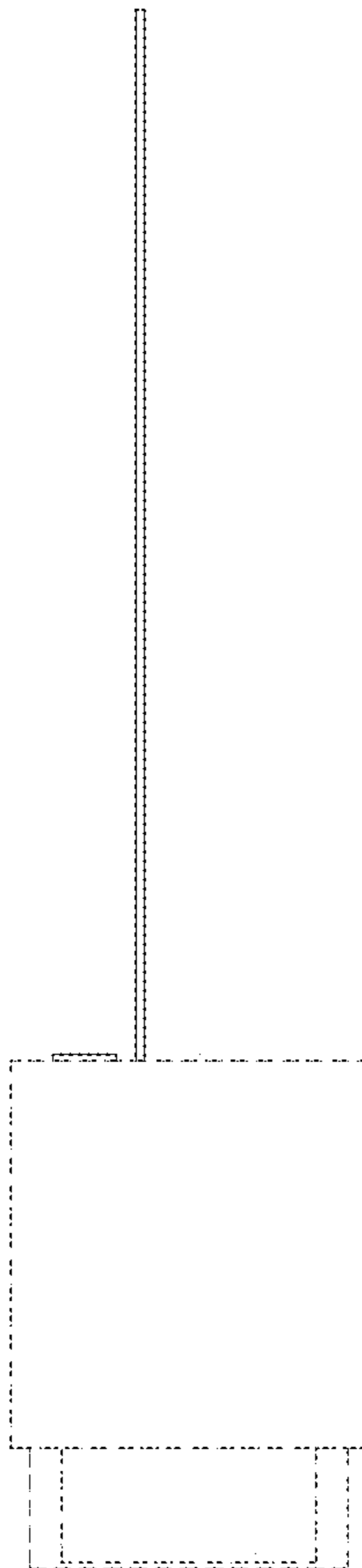
1.20



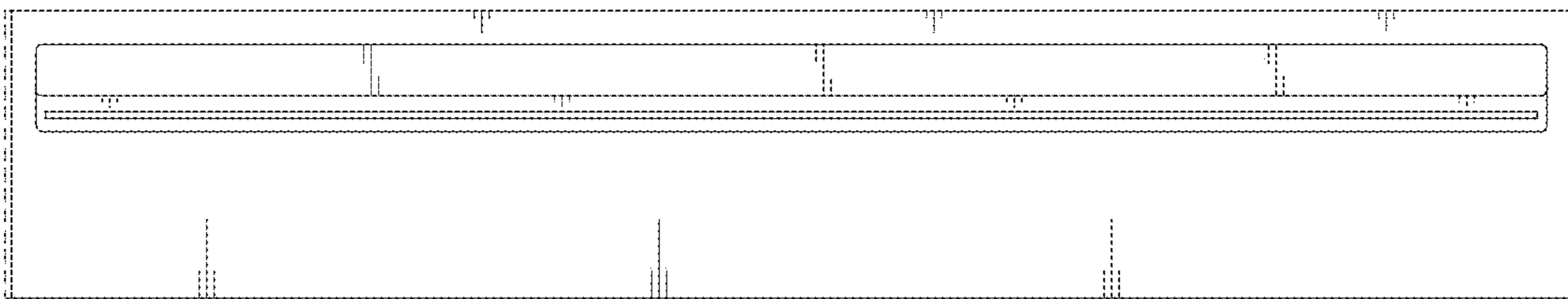
1.21



1.22



1.23



1.24

