



US00D915308S

(12) **United States Design Patent**
Maruyama

(10) **Patent No.:** **US D915,308 S**

(45) **Date of Patent:** **** Apr. 6, 2021**

(54) **LIGHT EMITTING DIODE CHIP**

(71) Applicant: **DOWA Electronics Materials Co., Ltd., Tokyo (JP)**

(72) Inventor: **Tsukasa Maruyama, Akita (JP)**

(73) Assignee: **DOWA Electronics Materials Co., Ltd., Tokyo (JP)**

(**) Term: **15 Years**

(21) Appl. No.: **29/713,752**

(22) Filed: **Nov. 19, 2019**

(30) **Foreign Application Priority Data**

Jun. 4, 2019 (JP) 2019-012240

(51) **LOC (13) Cl.** **13-03**

(52) **U.S. Cl.**
USPC **D13/180**

(58) **Field of Classification Search**
USPC D13/180; D26/1
CPC ... H01L 25/167; H01L 25/0753; H01L 27/15;
H01L 27/156; H01L 33/00; H01L 33/04;
H01L 33/08; H01L 33/10; H01L 33/20;
H01L 33/38; H01L 33/42; H01L 33/48;
H01L 33/483; H01L 33/486; F21K 9/00
See application file for complete search history.

(56) **References Cited**

U.S. PATENT DOCUMENTS

D521,948 S * 5/2006 Inoue D13/180
D778,849 S * 2/2017 Maruyama D13/180
D857,638 S 8/2019 Maruyama et al.
2005/0173721 A1* 8/2005 Isoda H01L 33/60
257/99
2010/0155752 A1* 6/2010 Lim H01L 33/38
257/94

2013/0049565 A1* 2/2013 Jung H01L 33/64
313/45
2013/0141920 A1* 6/2013 Emerson H01L 33/58
362/311.01
2015/0171274 A1* 6/2015 Guo H01L 33/382
257/99
2015/0340581 A1* 11/2015 Han H01L 33/648
257/98
2016/0079478 A1* 3/2016 Kong H01L 33/385
257/13
2017/0069606 A1* 3/2017 Gould H01L 33/507
2017/0179352 A1* 6/2017 Song H01L 33/62
2018/0151790 A1* 5/2018 Kim H01L 33/38
2020/0013759 A1* 1/2020 Yoo H01L 25/0753
2020/0350468 A1* 11/2020 Lee H01L 33/64

* cited by examiner

Primary Examiner — Selina Sikder

(74) *Attorney, Agent, or Firm* — Kenja IP Law PC

(57) **CLAIM**

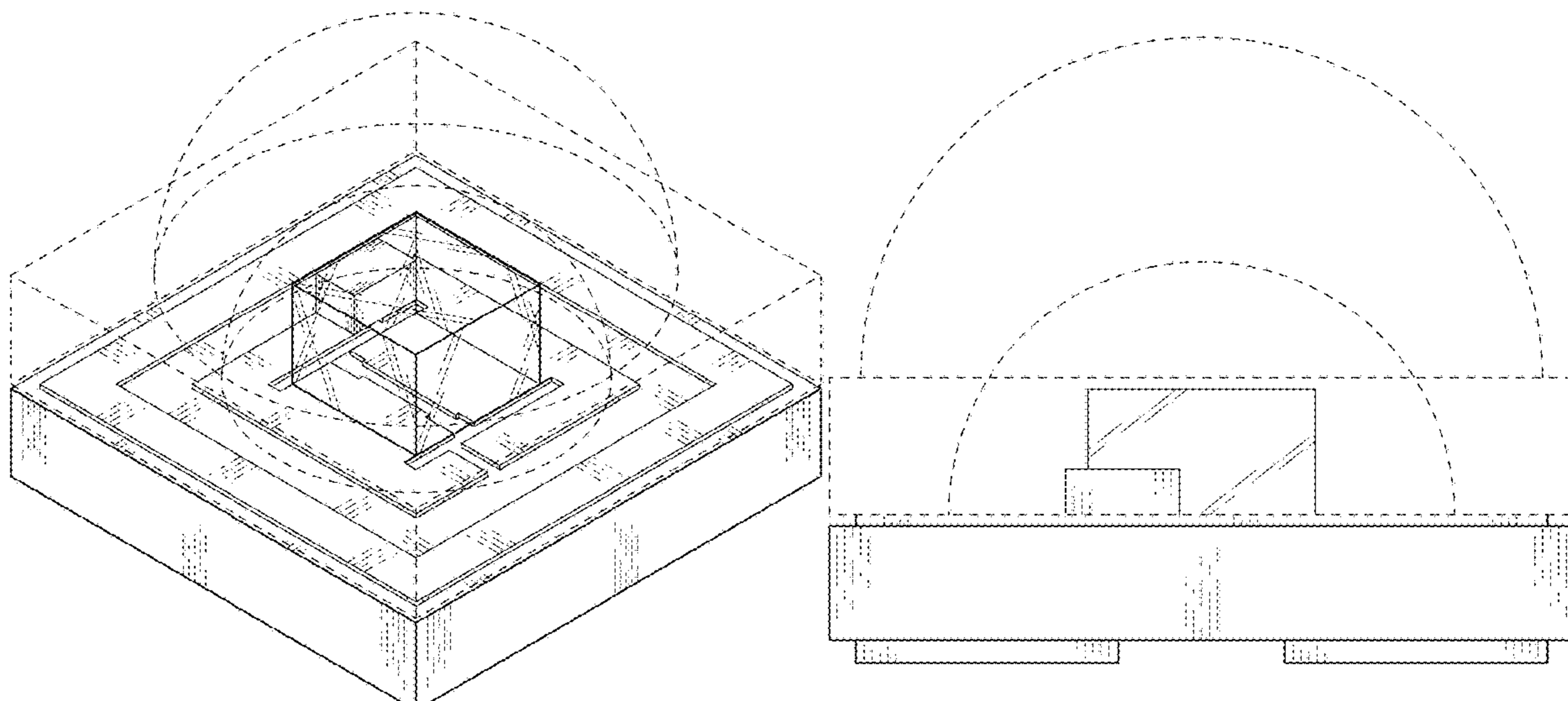
The ornamental design for a light emitting diode chip, as shown and described.

DESCRIPTION

FIG. 1 is a top, front perspective view of a light emitting diode chip showing my new design;
FIG. 2 is a bottom, rear perspective view thereof;
FIG. 3 is a front view thereof;
FIG. 4 is a rear view thereof;
FIG. 5 is a right side view thereof;
FIG. 6 is a left side view thereof;
FIG. 7 is a top plan view thereof;
FIG. 8 is a bottom plan view thereof; and,
FIG. 9 is a cross sectional view taken along line 9-9 in FIG. 7.

Broken lines depictions of transparent cavity lens of the light emitting diode chip shown in the drawings indicate unclaimed portions of the design, and thus illustrative purpose only and form no part of the claimed design.

1 Claim, 9 Drawing Sheets



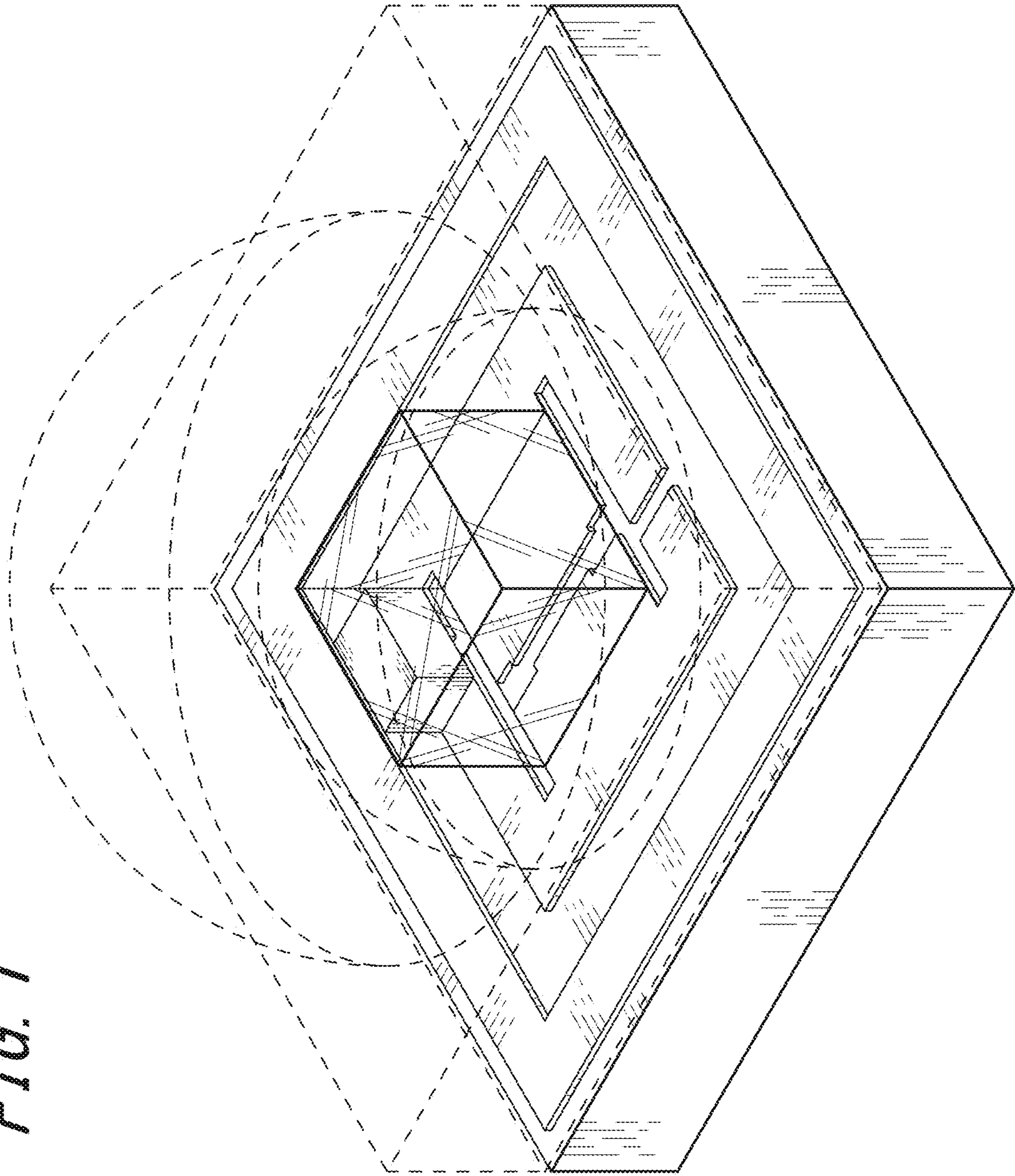


FIG. 1

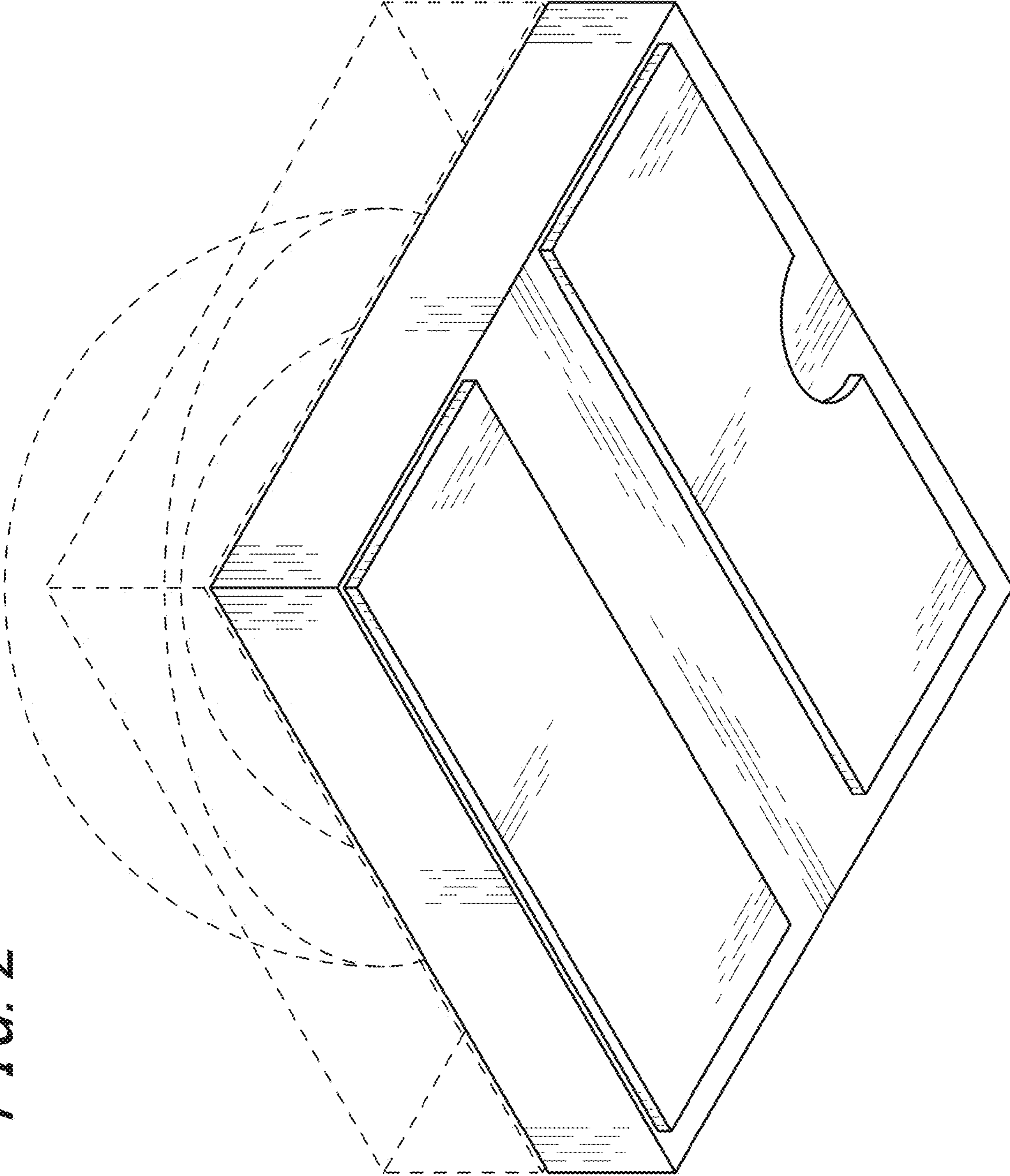


FIG. 2

FIG. 3

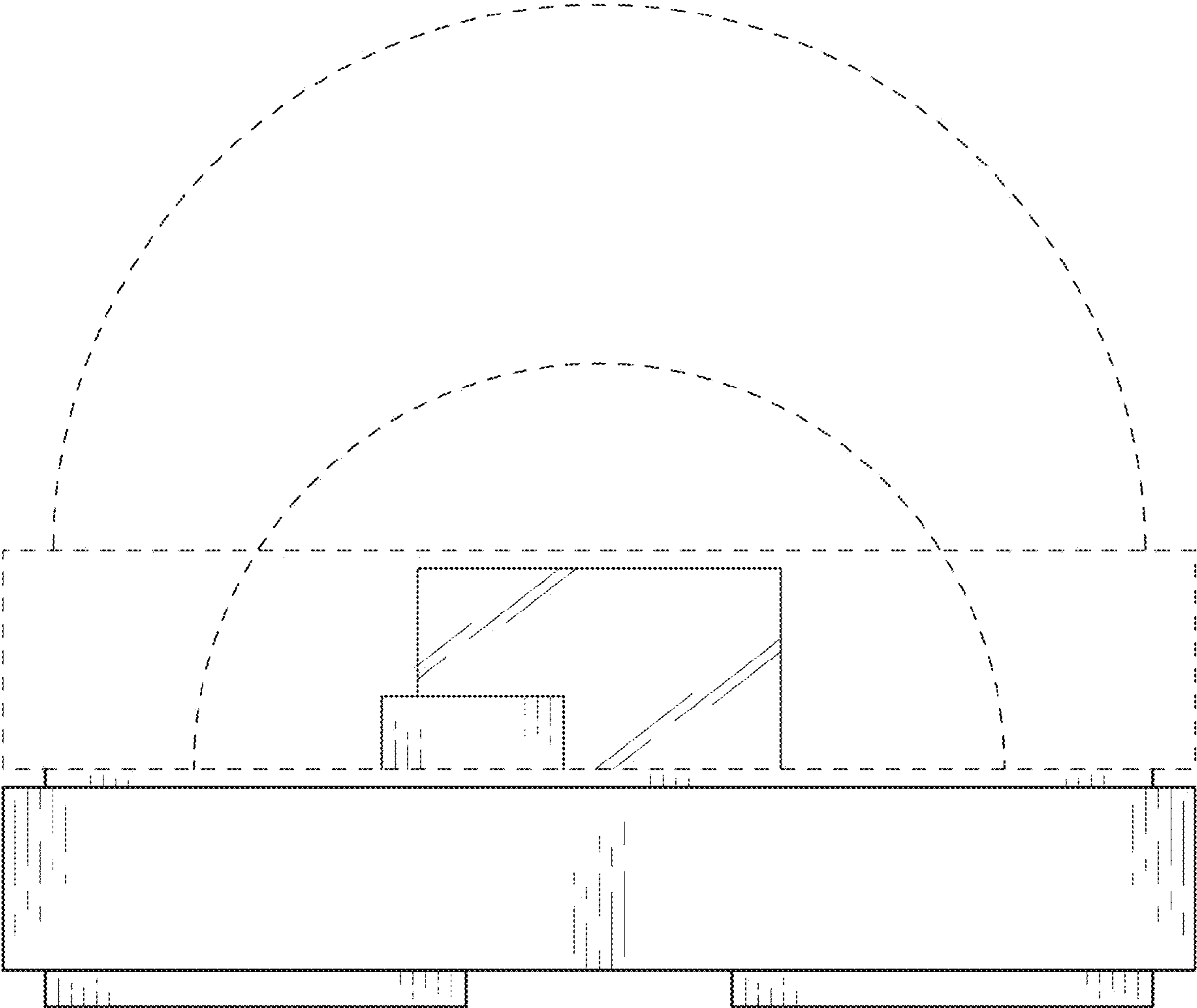


FIG. 4

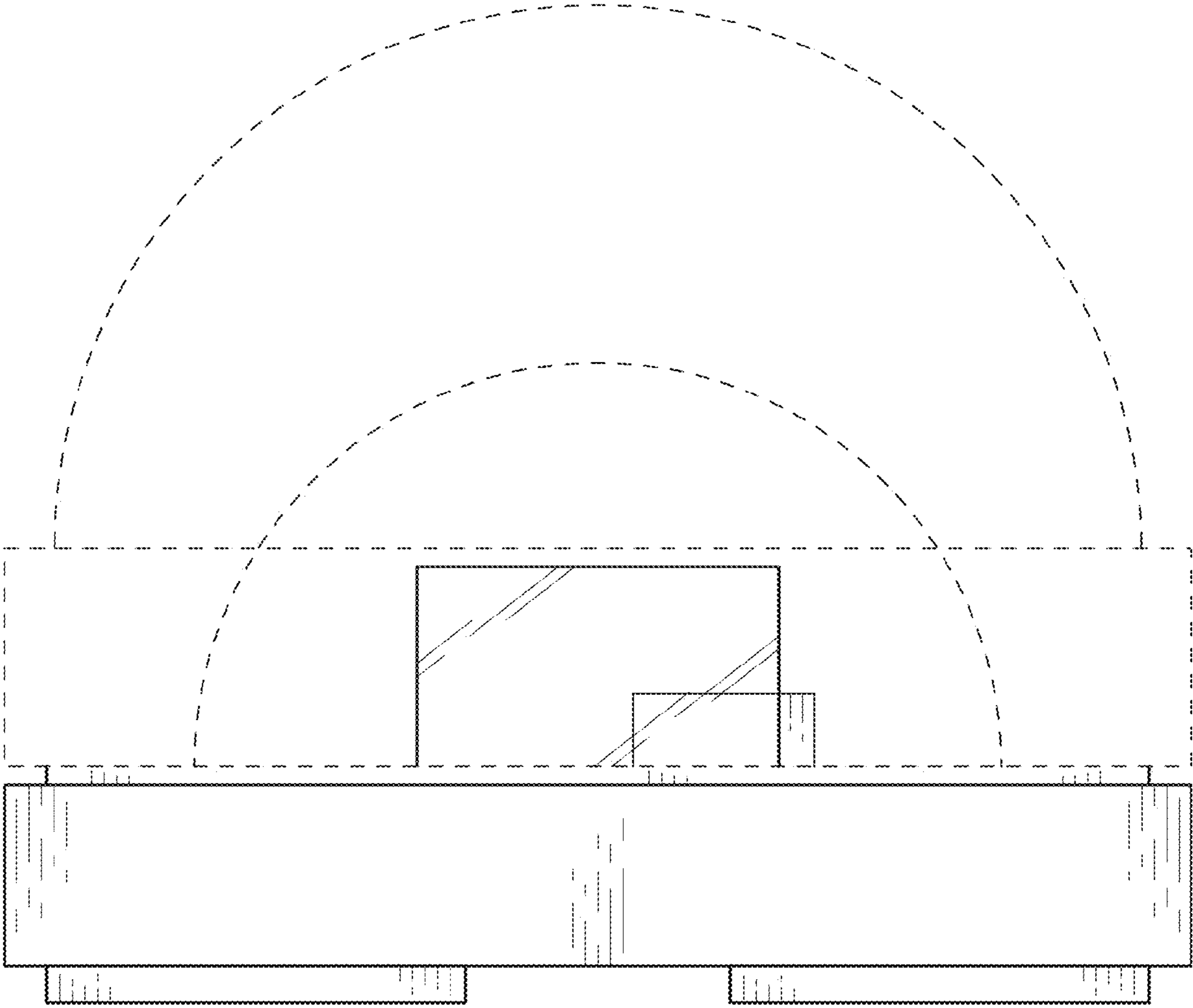


FIG. 5

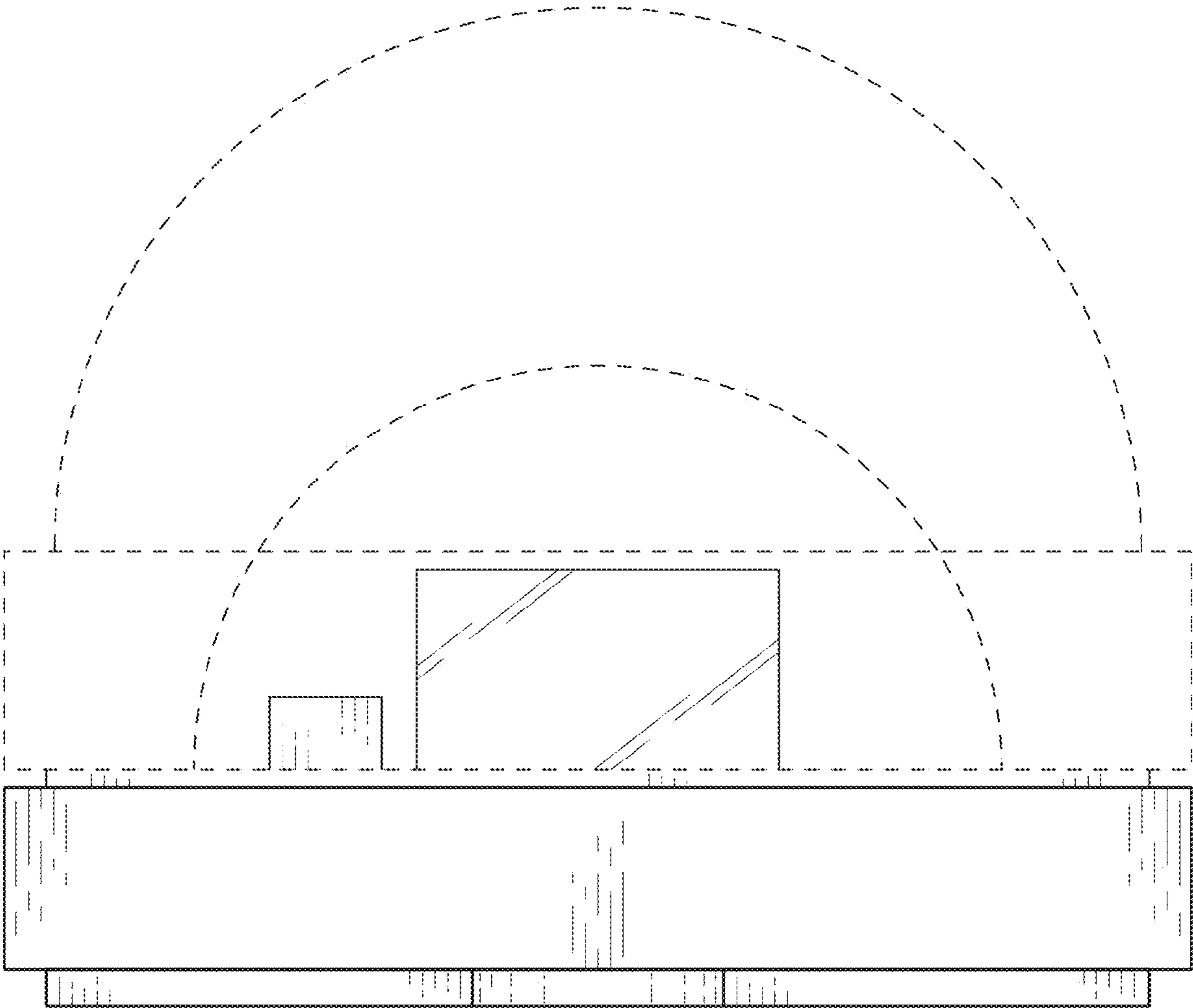


FIG. 6

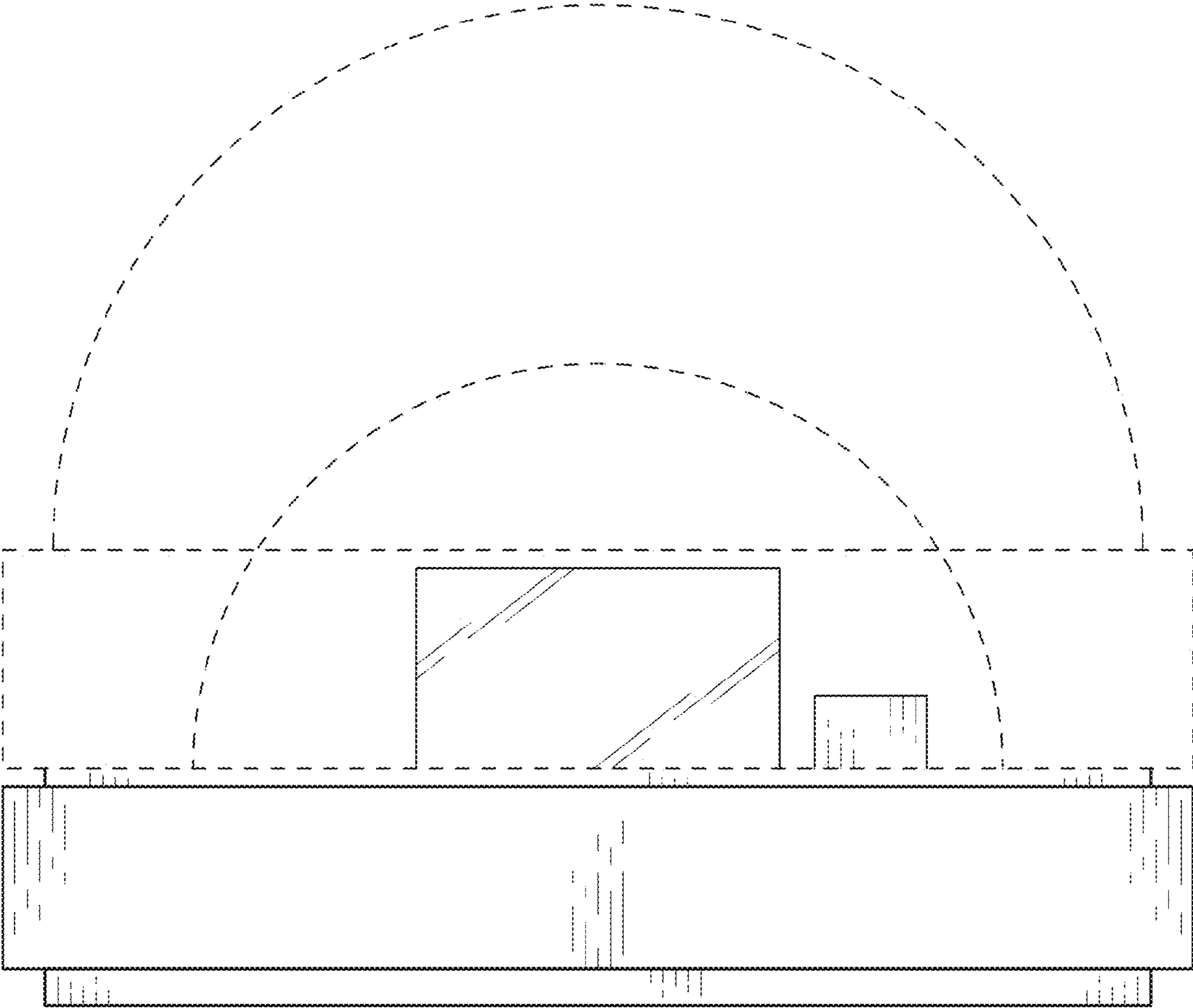


FIG. 7

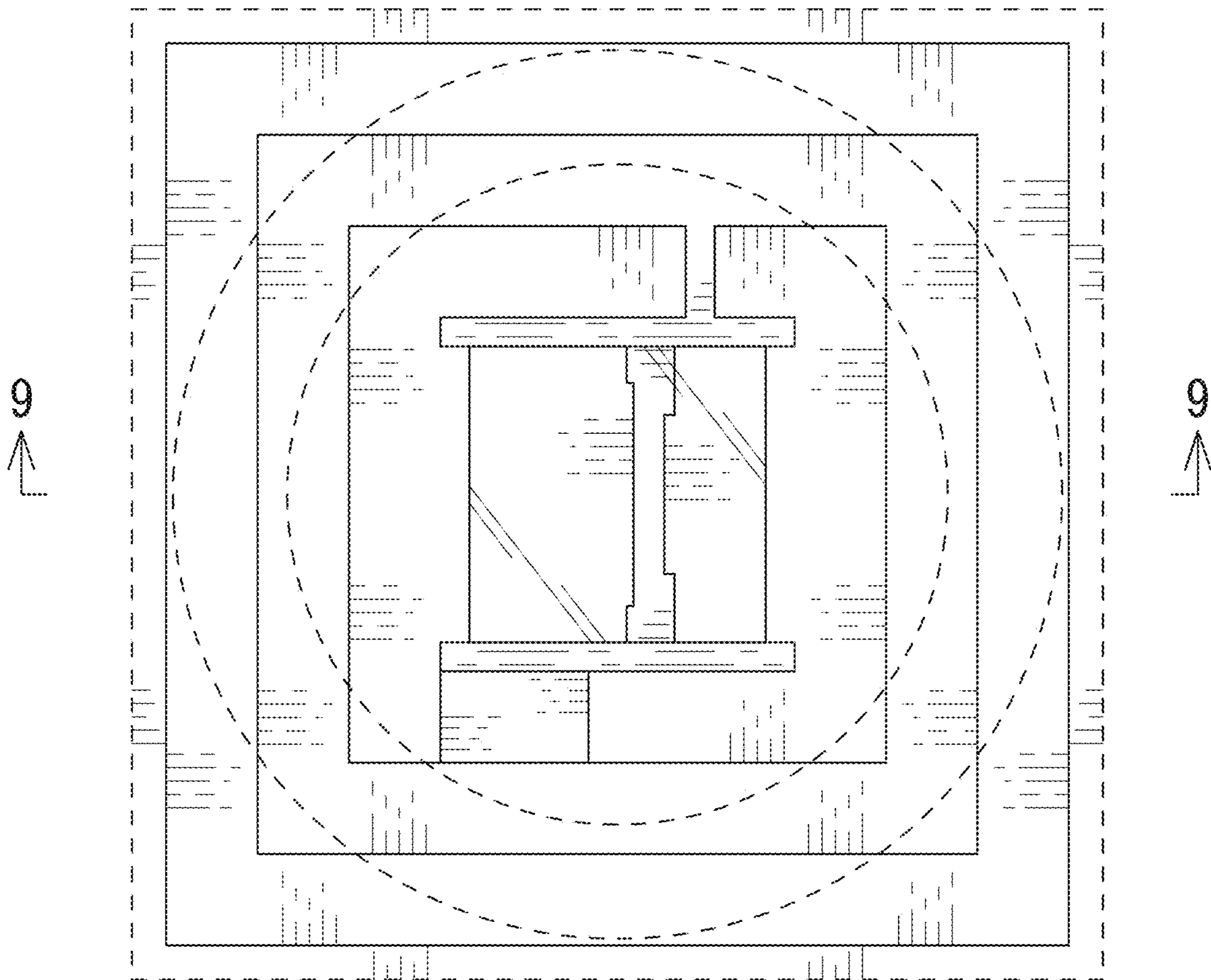


FIG. 8

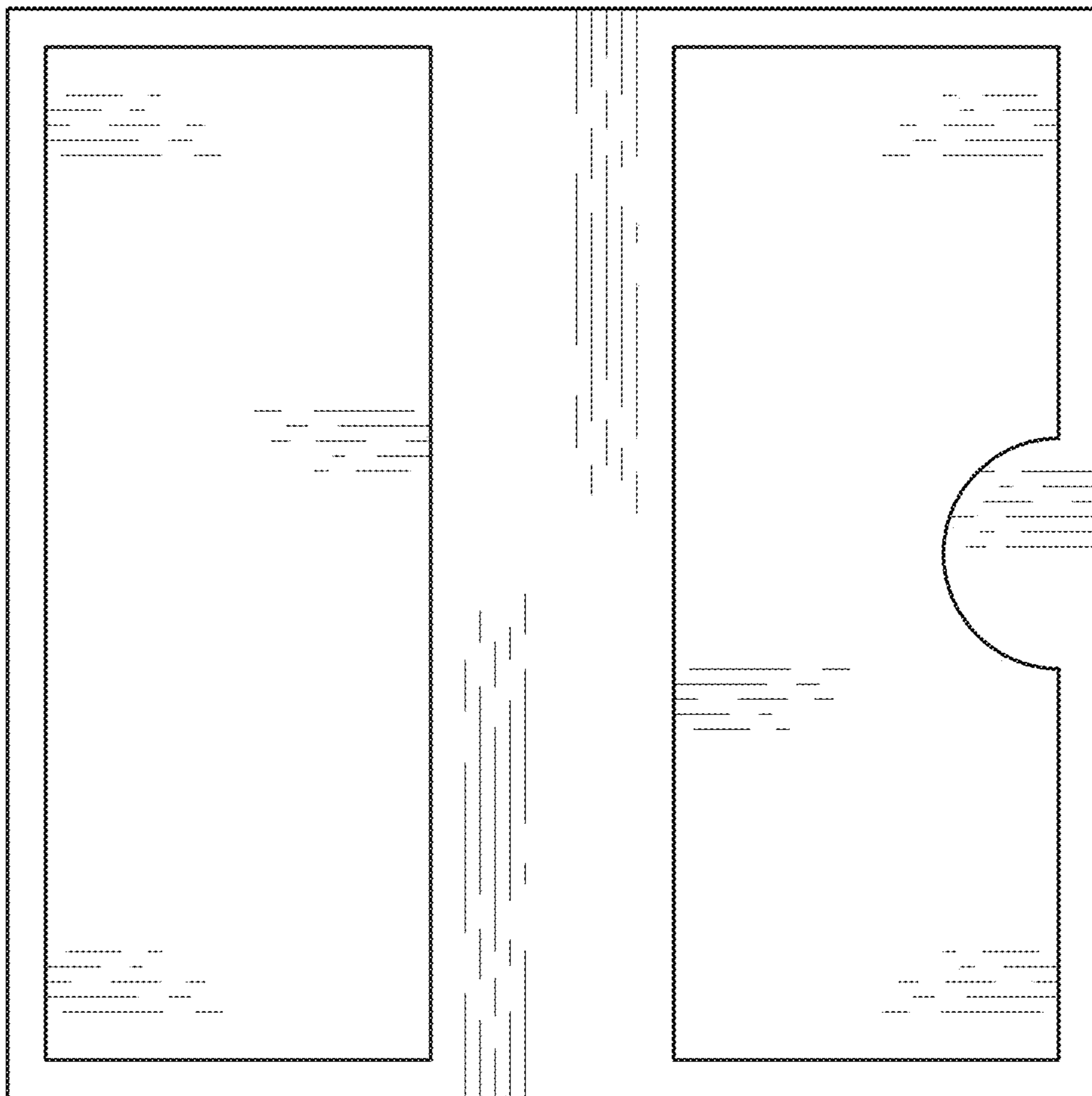


FIG. 9

