



US00D915301S

(12) **United States Design Patent**
Joyce

(10) **Patent No.:** **US D915,301 S**

(45) **Date of Patent:** **** Apr. 6, 2021**

- (54) **CABLE JACKET**
- (71) Applicant: **Craig M. Joyce**, Auburn, NH (US)
- (72) Inventor: **Craig M. Joyce**, Auburn, NH (US)
- (**) Term: **15 Years**
- (21) Appl. No.: **29/686,269**
- (22) Filed: **Apr. 3, 2019**
- (51) **LOC (13) Cl.** **13-03**
- (52) **U.S. Cl.**
USPC **D13/155**
- (58) **Field of Classification Search**
USPC D8/349, 354, 356, 394, 396; D13/155,
D13/153, 156, 157, 184, 199
CPC .. H01B 3/082; H01B 7/0823; H01R 13/6392;
F15L 7/00
See application file for complete search history.

- 5,389,082 A * 2/1995 Baugues A61M 5/1418
128/DIG. 26
- 5,486,654 A * 1/1996 Hanak H01B 7/0807
174/113 R
- D375,890 S * 11/1996 Takai D8/380
- D440,005 S * 4/2001 Blanton 24/16 R
- D474,447 S * 5/2003 Kano D13/133
- 6,563,990 B1 * 5/2003 Hurley G02B 6/4422
385/101
- 6,734,364 B2 * 5/2004 Price H01B 7/0853
174/113 C
- D706,225 S * 6/2014 deLoache, III D13/155
- D722,867 S * 2/2015 Papafagos D8/396
- D750,570 S * 3/2016 Smith D13/155
- 9,545,743 B2 * 1/2017 Joyce H01B 7/0823
- 10,002,691 B1 * 6/2018 Salz H01B 11/002
- D848,373 S * 5/2019 Ramakrishna Gowda .. D13/146
- D852,354 S * 6/2019 Wrangmark D24/128
- D853,336 S * 7/2019 Barram D13/155

(Continued)

Primary Examiner — Jennifer O King

(74) *Attorney, Agent, or Firm* — Maine Cernota & Rardin

(56) **References Cited**

U.S. PATENT DOCUMENTS

- 2,043,044 A * 6/1936 Knoderer H01B 7/202
174/102 D
- 2,628,998 A * 2/1953 Frisbie H01B 7/0823
174/112
- 2,950,338 A * 8/1960 Taylor H01B 7/0823
174/40 R
- 3,173,987 A * 3/1965 Potruch F16L 3/13
174/545
- 3,800,065 A * 3/1974 Bunish H01B 7/0823
174/115
- 4,218,581 A * 8/1980 Suzuki H01B 7/0823
174/117 F
- D262,617 S * 1/1982 Shumate D13/153
- 4,799,641 A * 1/1989 Koreski F16L 3/2235
24/329
- 5,057,646 A * 10/1991 Nichols H01B 7/0823
174/115
- 5,342,991 A * 8/1994 Xu H01B 7/0823
174/115

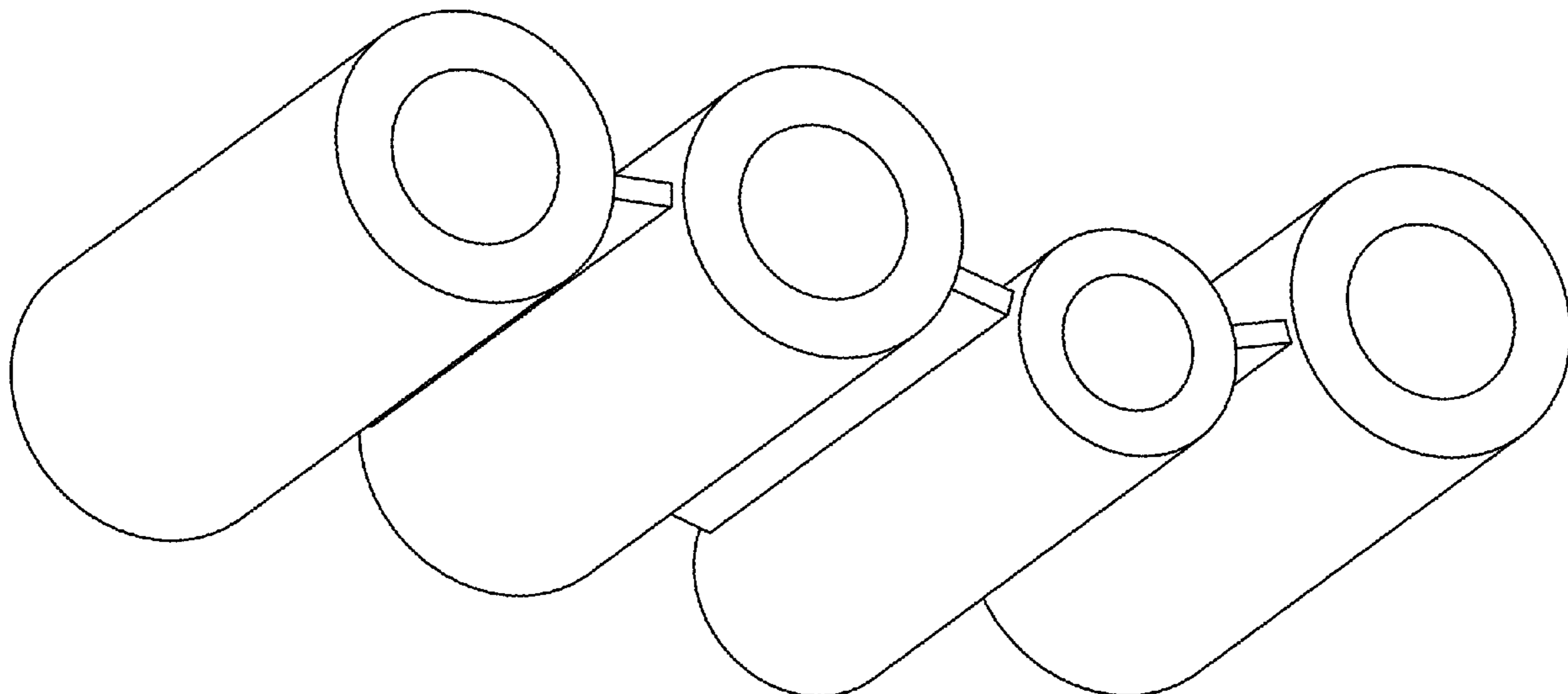
(57) **CLAIM**

The ornamental design for a cable jacket, as shown and described.

DESCRIPTION

FIG. 1 is a rear elevation view of a cable jacket, showing my new design;
 FIG. 2 is a bottom-right perspective view thereof;
 FIG. 3 is a bottom elevation view thereof;
 FIG. 4 is a left-side elevation view thereof;
 FIG. 5 is a right-side elevation view thereof;
 FIG. 6 is a top-left perspective view thereof;
 FIG. 7 is a top-right perspective view thereof;
 FIG. 8 is a bottom-left perspective view thereof;
 FIG. 9 is a top elevation view thereof; and,
 FIG. 10 is a front elevation view thereof.

1 Claim, 10 Drawing Sheets



(56)

References Cited

U.S. PATENT DOCUMENTS

D858,457 S * 9/2019 Maggard D13/155
D880,430 S * 4/2020 Sugie D13/155

* cited by examiner

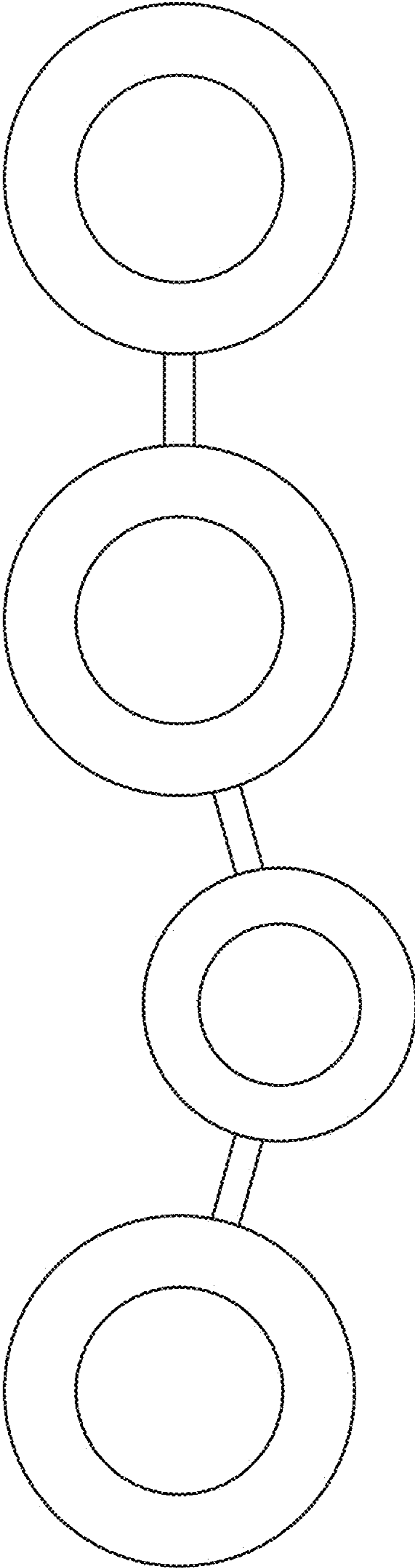


FIG. 1

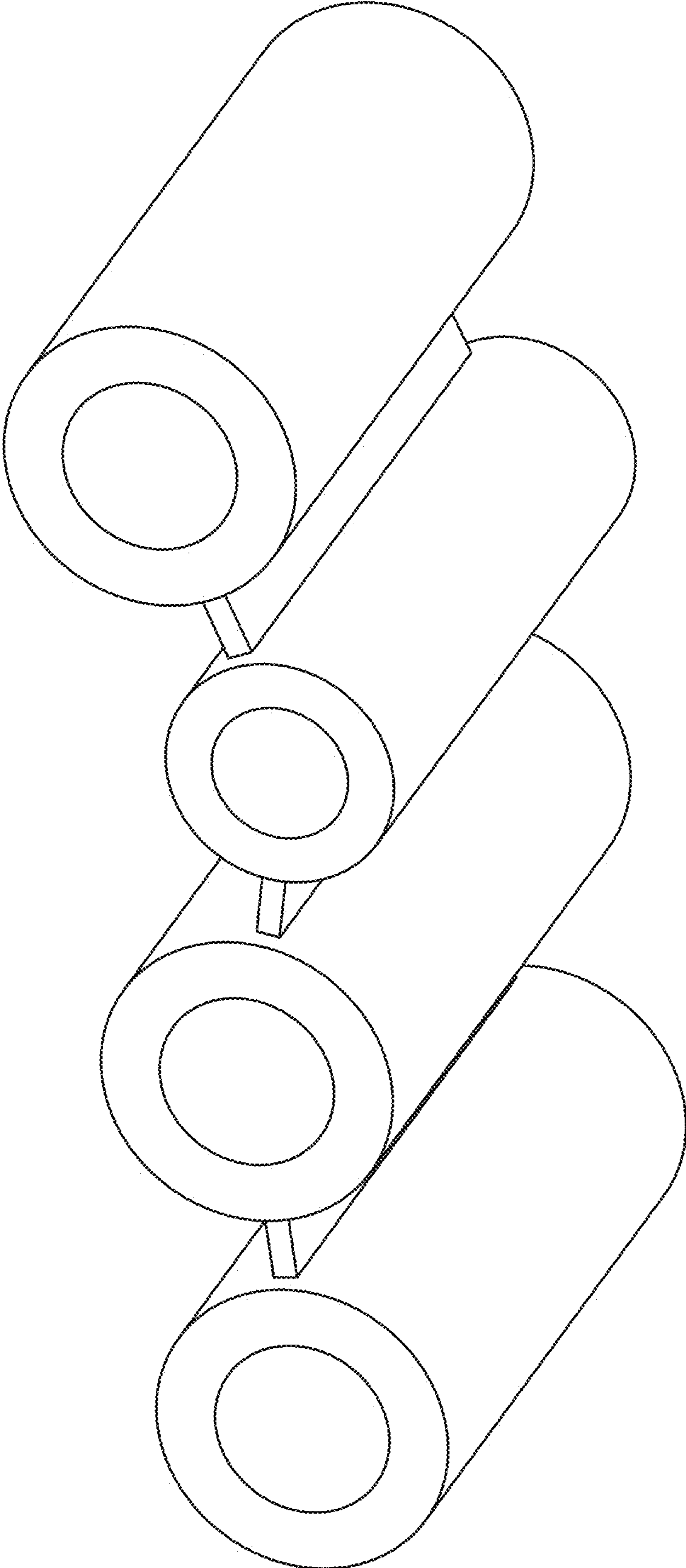


FIG. 2

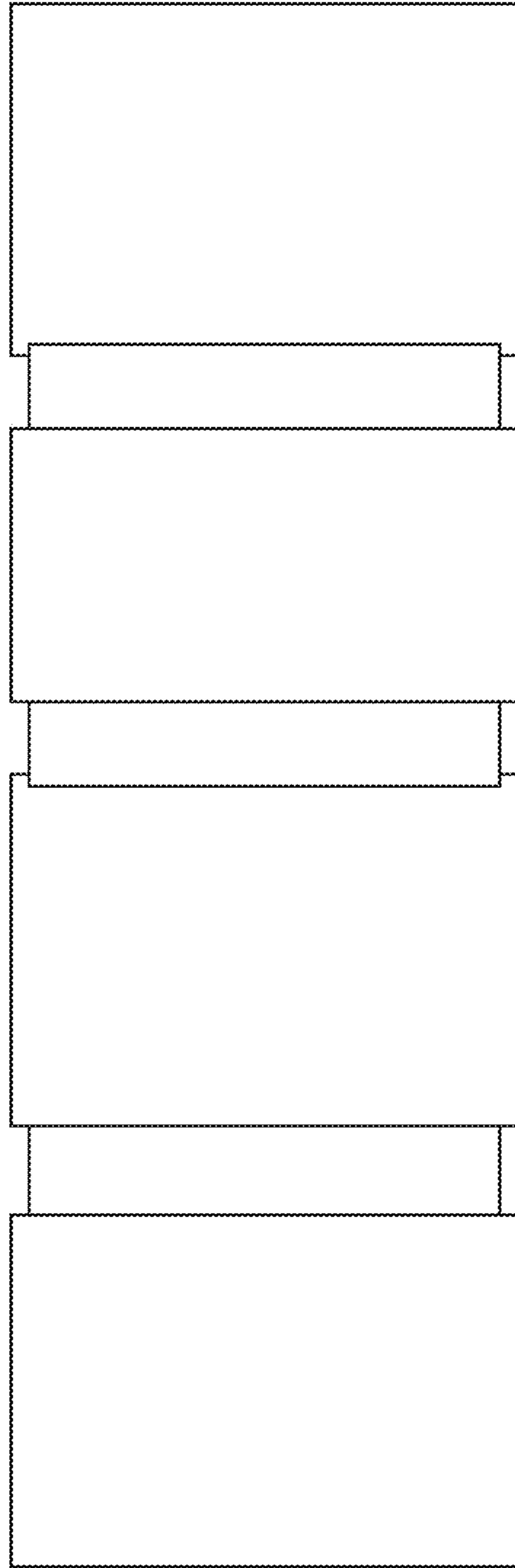


FIG. 3

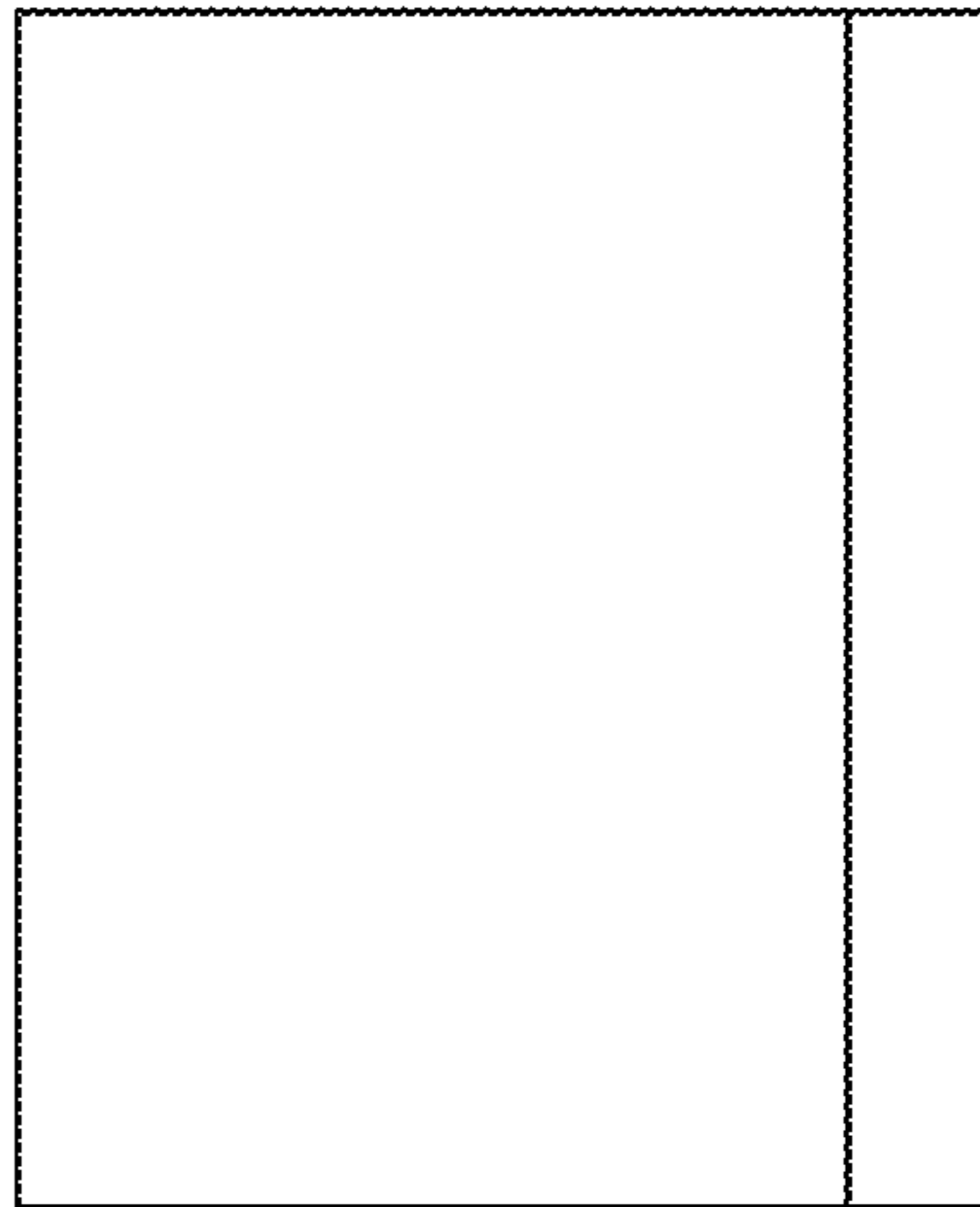


FIG. 4

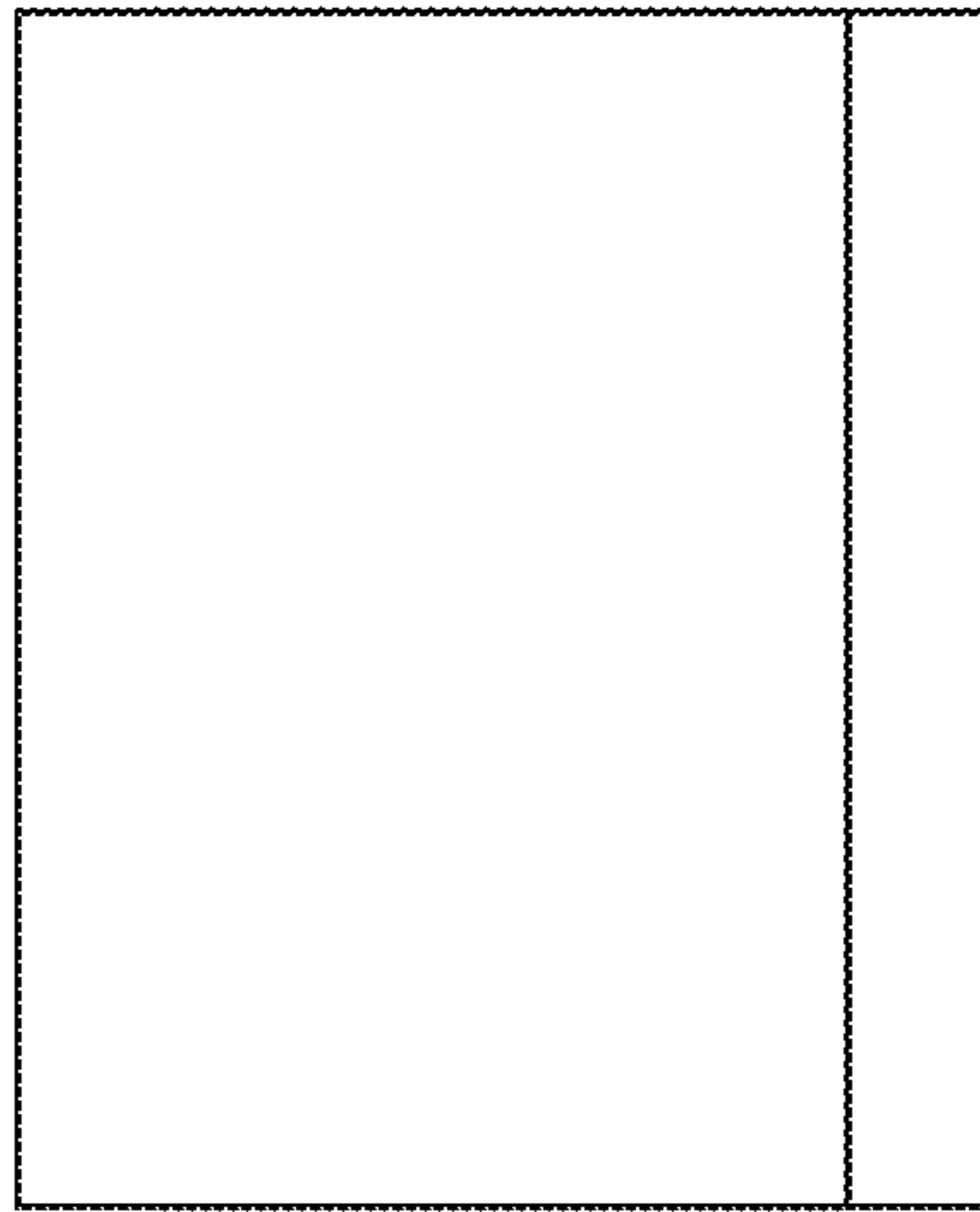


FIG. 5

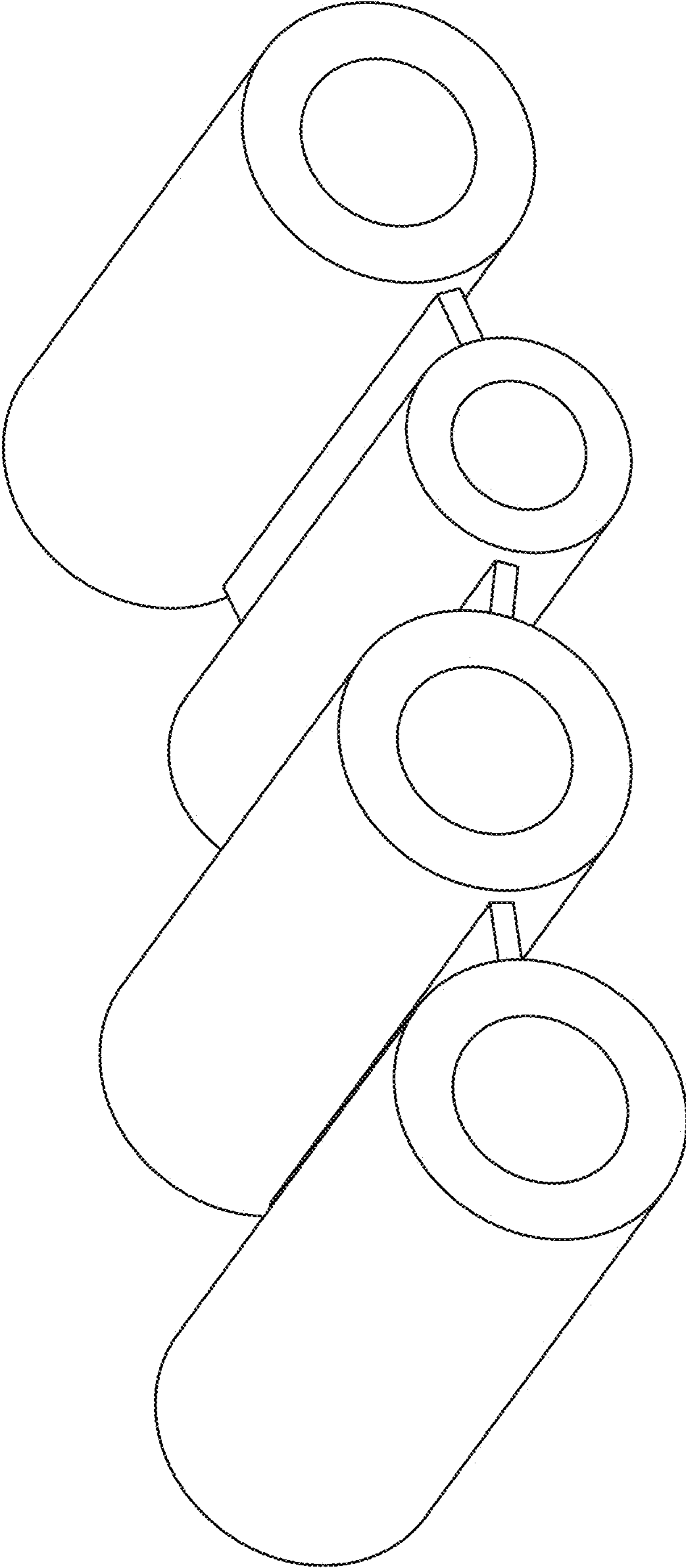


FIG. 6

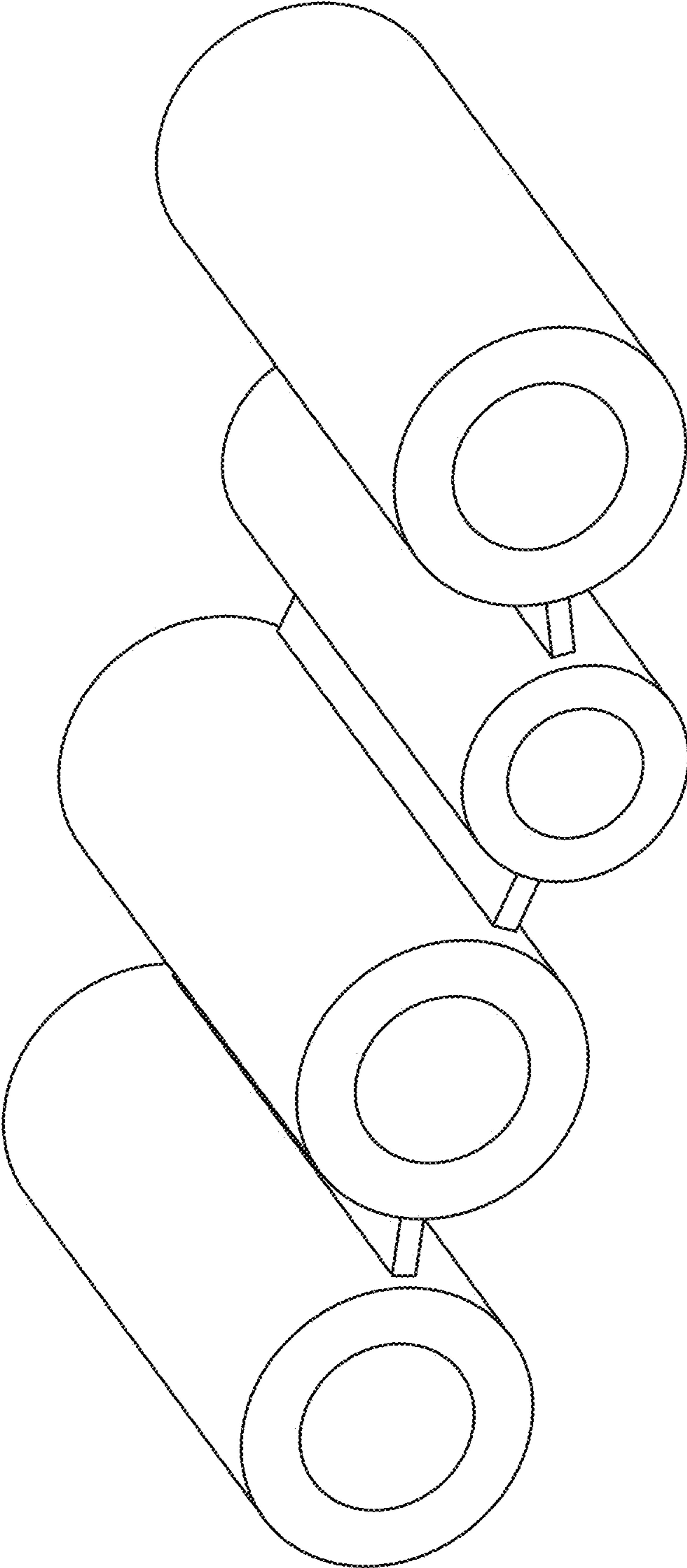


FIG. 7

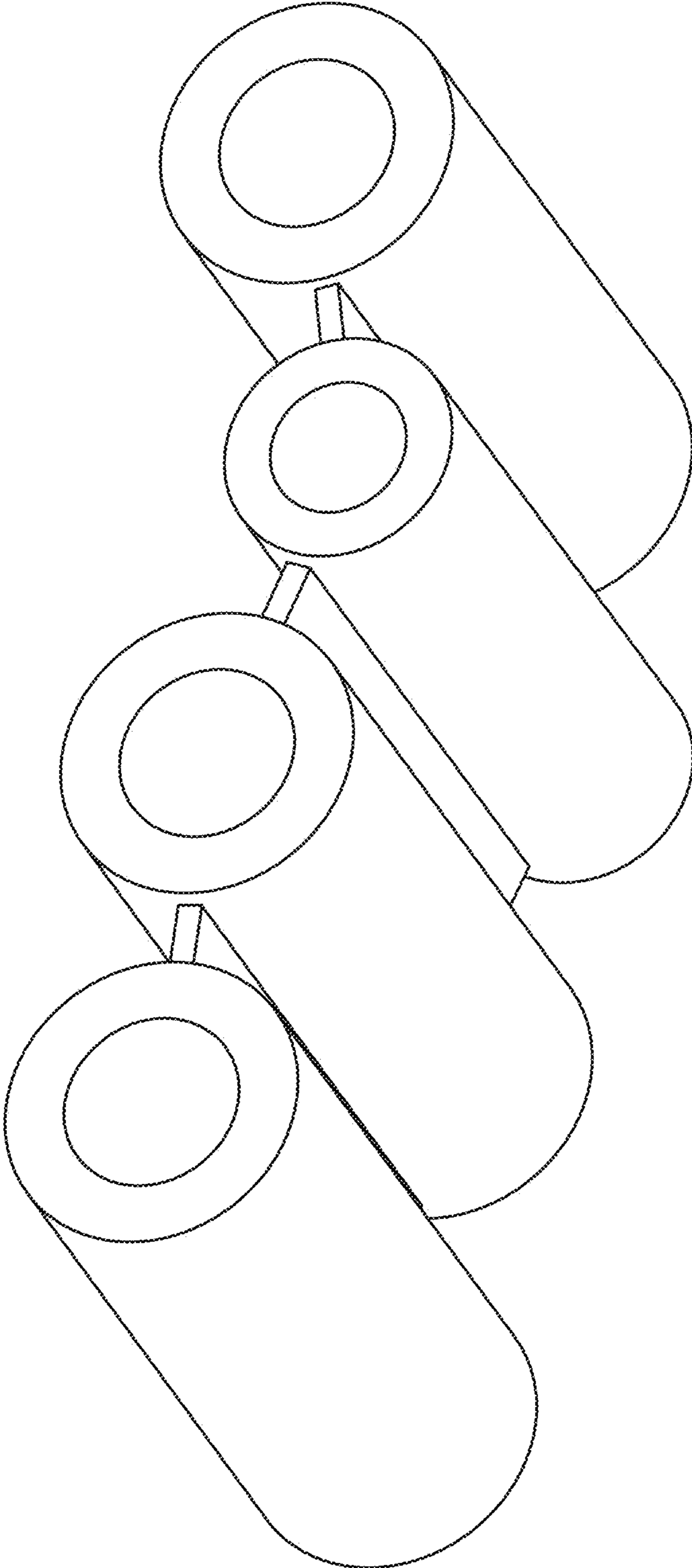


FIG. 8

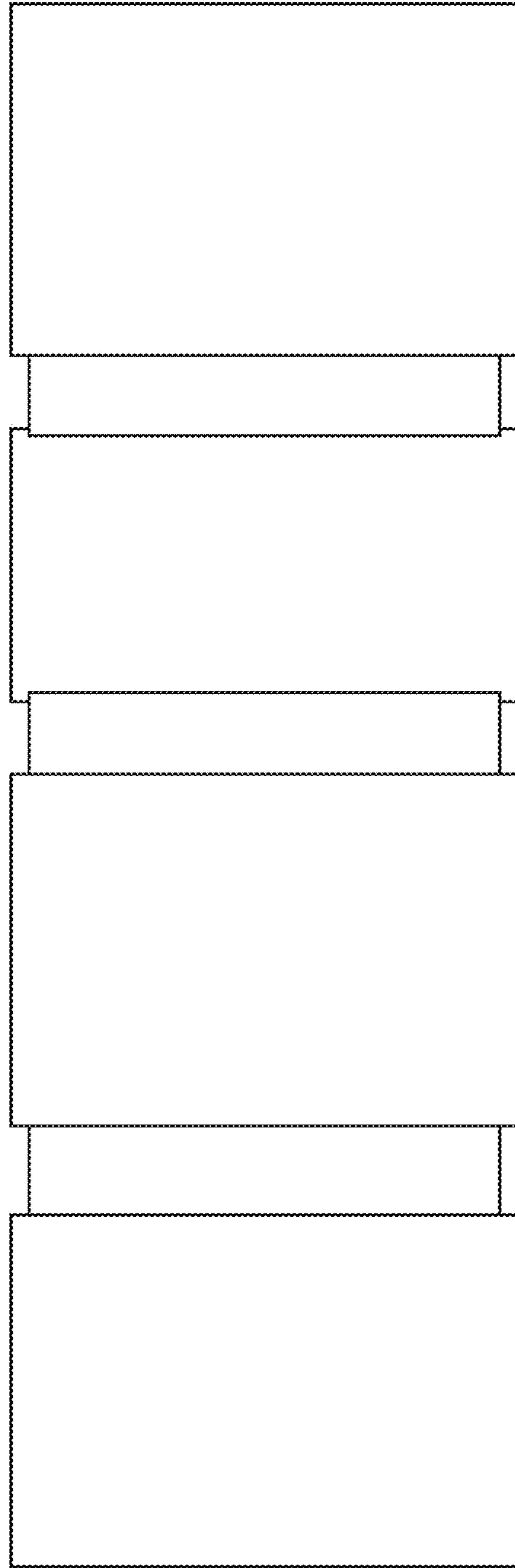


FIG. 9

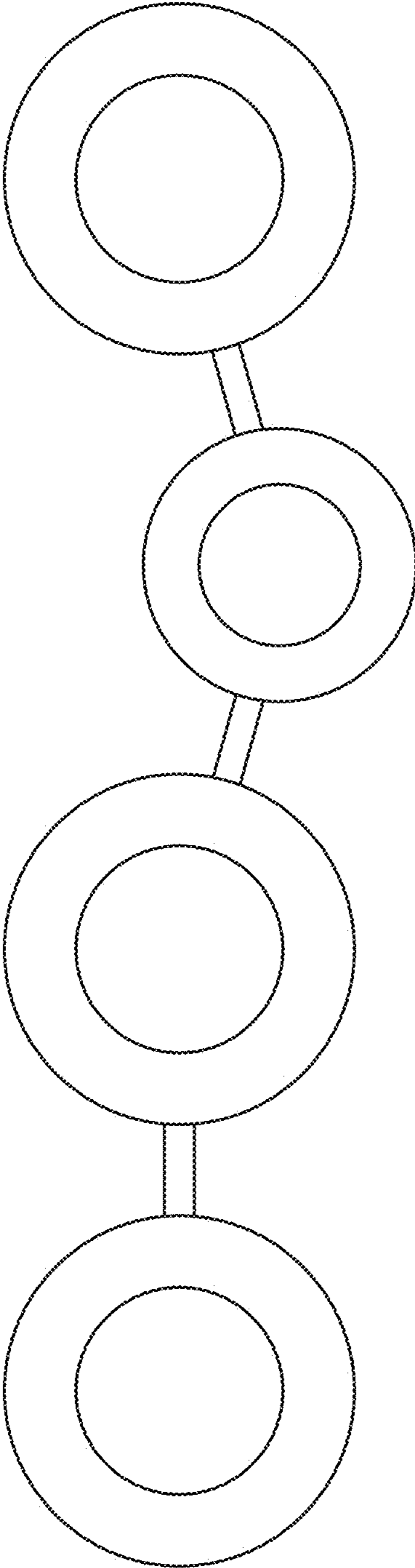


FIG. 10