



US00D915300S

(12) **United States Design Patent**  
**Holton**

(10) **Patent No.:** **US D915,300 S**

(45) **Date of Patent:** **\*\* Apr. 6, 2021**

(54) **CONDUIT EXTENSION**

(71) Applicant: **Tharp Patrick Holton**, Sulphur, LA  
(US)

(72) Inventor: **Tharp Patrick Holton**, Sulphur, LA  
(US)

(\*\*) Term: **15 Years**

(21) Appl. No.: **29/663,519**

(22) Filed: **Sep. 17, 2018**

(51) **LOC (13) Cl.** ..... **13-03**

(52) **U.S. Cl.**  
USPC ..... **D13/155**

(58) **Field of Classification Search**  
USPC ..... D13/107, 110, 120, 133, 134, 146, 148,  
D13/149, 155, 156, 157, 184, 199;  
D8/396, 356; D23/242; D24/129  
CPC ..... H01R 13/447; H01R 13/6277; H01R  
2201/26; G02B 6/3887; G02B 6/4471  
See application file for complete search history.

(56) **References Cited**

**U.S. PATENT DOCUMENTS**

- 3,533,650 A \* 10/1970 Smith ..... F16L 41/06  
285/197
- D424,193 S \* 5/2000 Wohltmann, Jr. .... D24/110.6
- D503,333 S \* 3/2005 Ledingham ..... D8/394
- D580,530 S \* 11/2008 McAlpine ..... D23/268

- D591,587 S \* 5/2009 Mason ..... D8/354
- D639,940 S \* 6/2011 Cushner ..... D24/129
- D681,159 S \* 4/2013 Ben-Horin ..... D23/209
- D727,471 S \* 4/2015 Corcoran ..... D23/262
- D754,303 S \* 4/2016 Smith ..... D23/259
- D771,569 S \* 11/2016 Smith ..... D13/151
- D821,550 S \* 6/2018 Ohkoshi ..... D23/262
- D843,952 S \* 3/2019 Smith ..... D13/155
- D852,152 S \* 6/2019 Lawrence ..... D13/184
- D856,125 S \* 8/2019 Milner ..... D8/396
- D865,692 S \* 11/2019 Lawrence ..... D13/184
- D884,641 S \* 5/2020 Loidl ..... D13/133

\* cited by examiner

*Primary Examiner* — Jennifer O King

(74) *Attorney, Agent, or Firm* — Allen, Dyer, Doppelt +  
Gilchrist, PA

(57) **CLAIM**

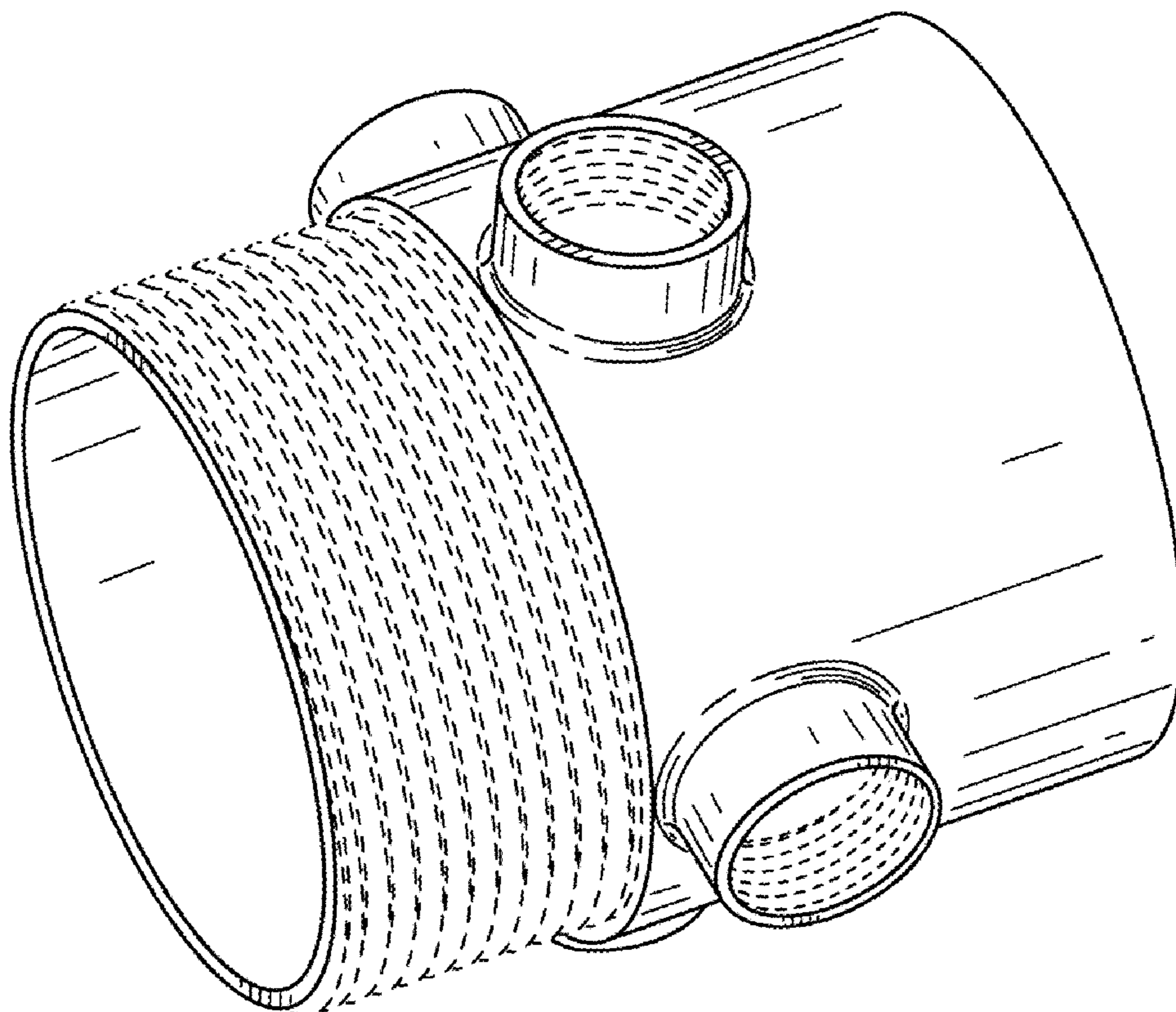
The ornamental design for a conduit extension, as shown  
and described.

**DESCRIPTION**

FIG. 1 is a perspective side view thereof;  
 FIG. 2 is a right-side view thereof;  
 FIG. 3 is a left-side view thereof;  
 FIG. 4 is a top view thereof;  
 FIG. 5 is a bottom view thereof;  
 FIG. 6 is a front view thereof; and,  
 FIG. 7 is a back view thereof.

The broken lines shown represent portions of the conduit  
 extension that form no part of the claimed design.

**1 Claim, 4 Drawing Sheets**



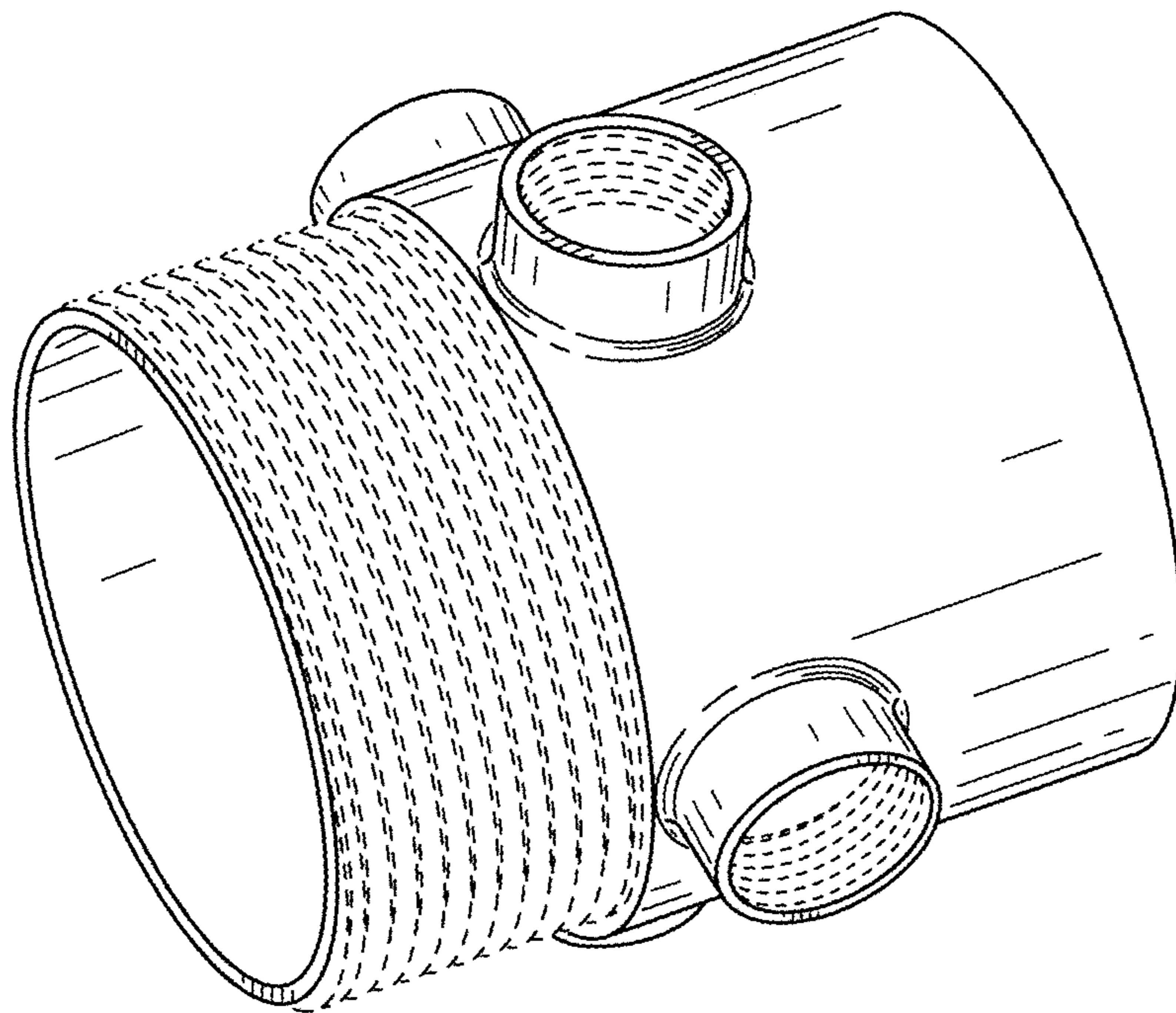


FIG. 1

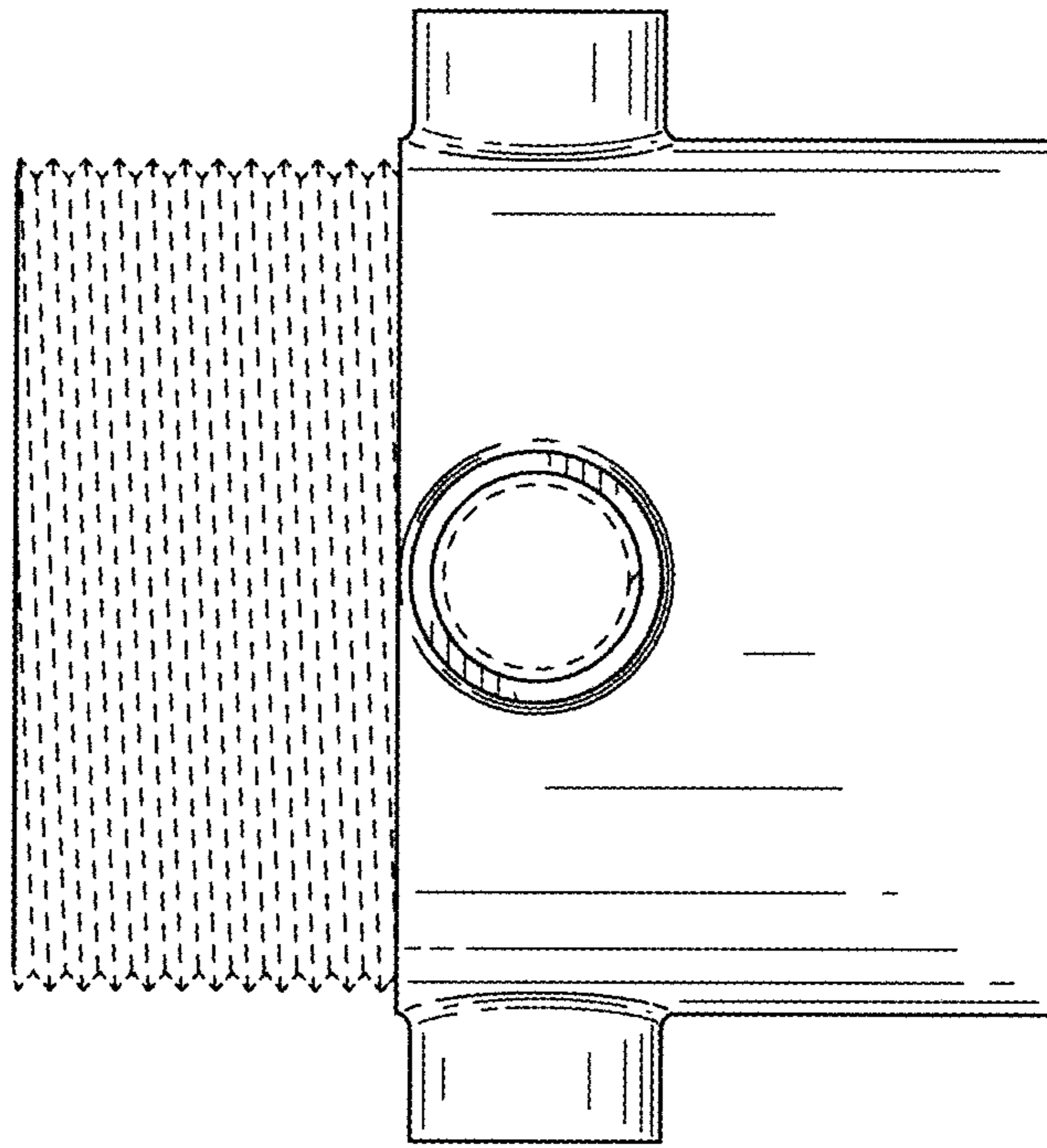


FIG. 2

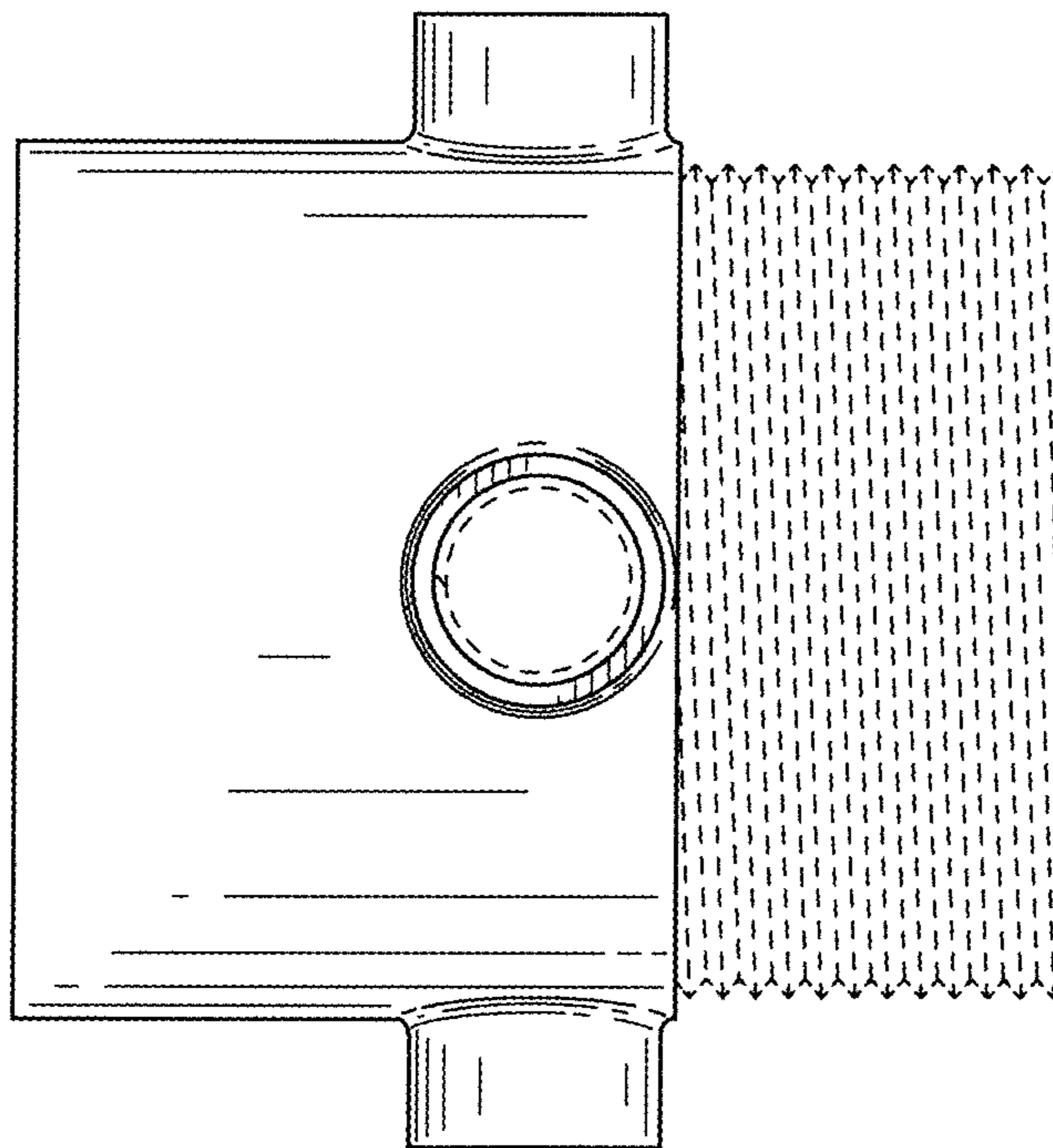


FIG. 3

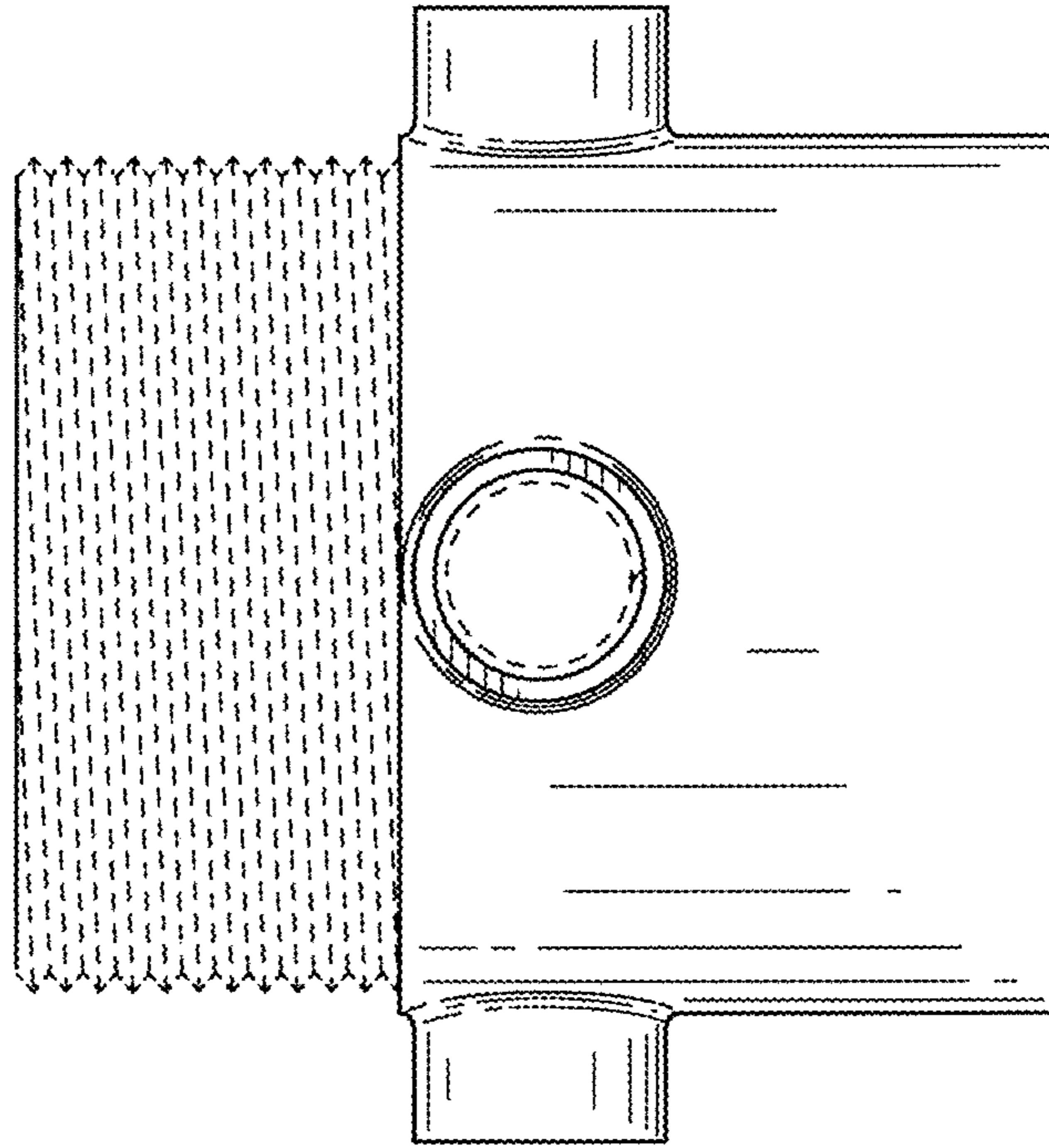


FIG. 4

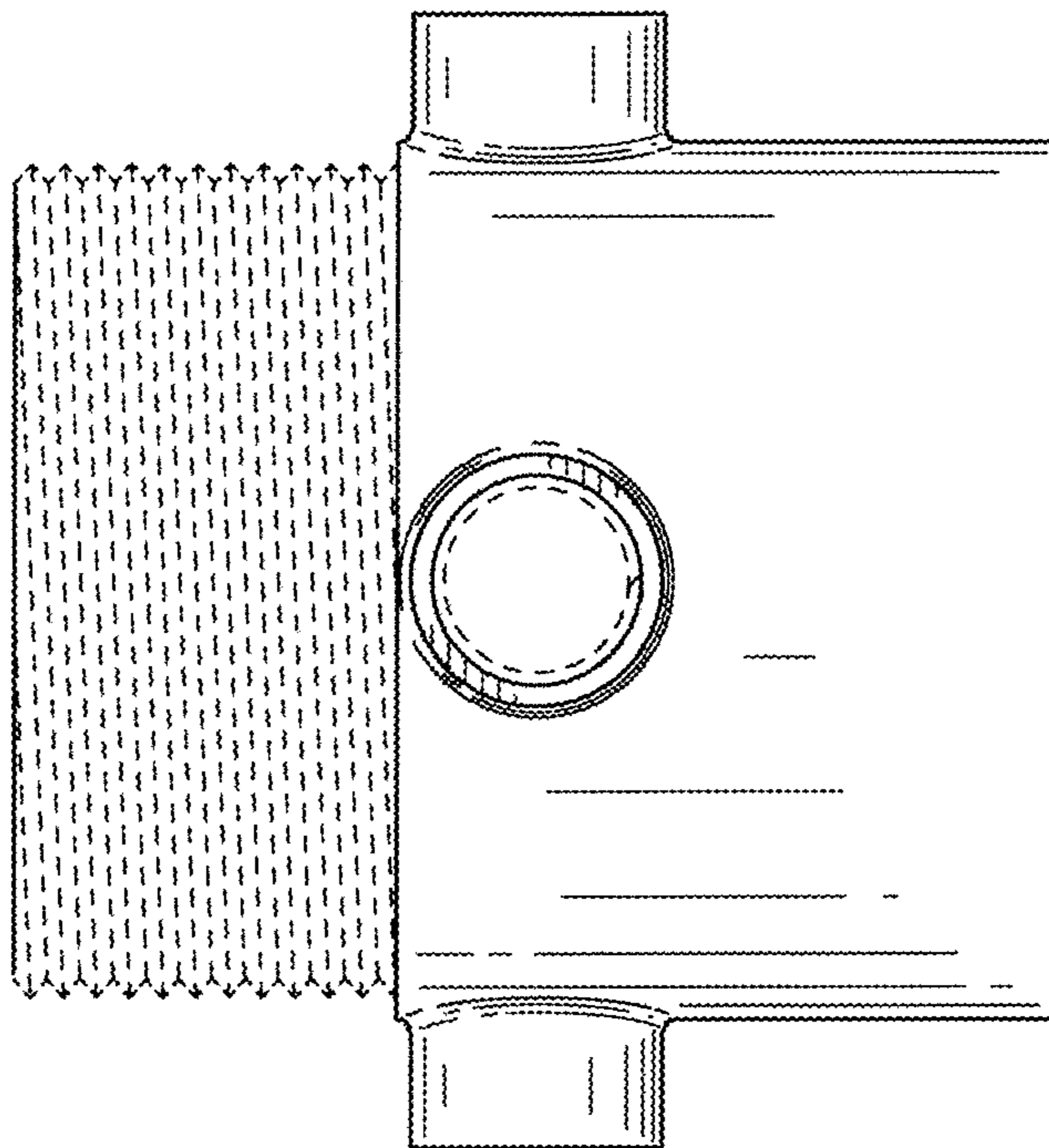


FIG. 5

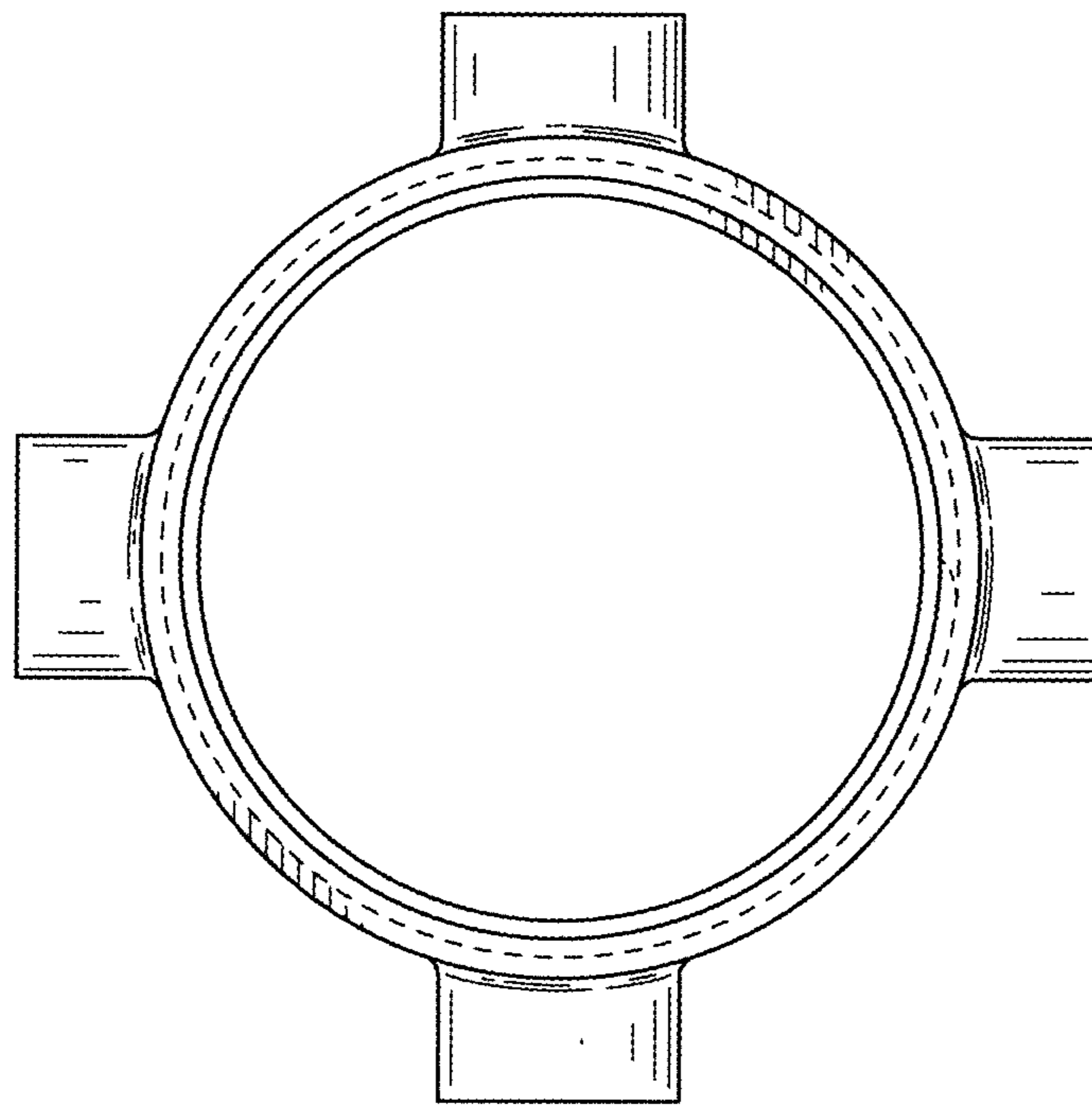


FIG. 6

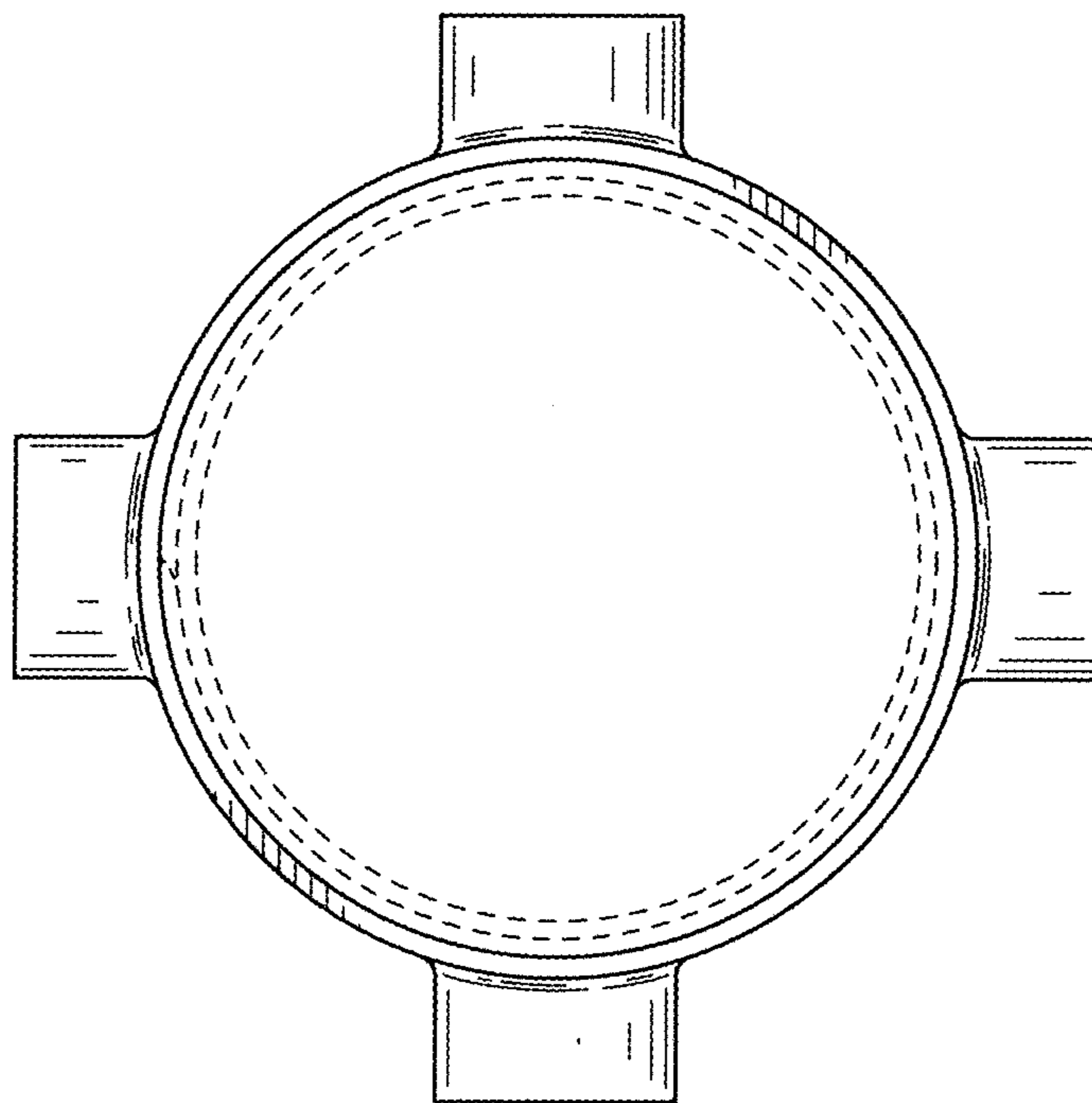


FIG. 7