



US00D915299S

(12) **United States Design Patent** (10) **Patent No.:** **US D915,299 S**
Wu (45) **Date of Patent:** **** Apr. 6, 2021**

(54) WIRING TERMINAL	7,581,965 B1 * 9/2009 Upasani H05K 3/32 439/82
(71) Applicants: DINKLE ENTERPRISE CO., LTD., New Taipei (TW); DINKLE ELECTRIC MACHINERY (CHINA) CO., LTD., Jiangsu (CN)	D614,583 S * 4/2010 Wang D13/154 D624,017 S * 9/2010 Liu D13/120 D624,027 S * 9/2010 Huang D13/154 D632,260 S * 2/2011 Smith D13/154 D648,280 S * 11/2011 Zhang D13/149 D660,248 S * 5/2012 Zhang D13/154 D704,666 S * 5/2014 Sasano D13/154 D729,742 S * 5/2015 Wu D13/149 9,466,897 B1 * 10/2016 Wu H01R 9/2491 D776,621 S * 1/2017 Miyamoto D13/154 D830,305 S * 10/2018 Lin D13/133 10,218,107 B2 * 2/2019 Bishop H01R 4/4809 10,367,271 B1 * 7/2019 Wu H01R 4/4836

(**) Term: **15 Years**

(21) Appl. No.: **29/670,291**

(22) Filed: **Nov. 15, 2018**

(51) **LOC (13) Cl.** **13-03**

(52) **U.S. Cl.**
USPC **D13/154**

(58) **Field of Classification Search**
USPC D13/110, 120, 123, 133, 154, 118, 146,
D13/147, 149, 153, 178, 184, 199
CPC H01R 4/183; H01R 4/184; H01R 4/185;
H01R 13/6471; H01R 13/6585
See application file for complete search history.

(56) **References Cited**

U.S. PATENT DOCUMENTS

D409,143 S * 5/1999 Yoshiura D13/133
D556,131 S * 11/2007 Chien D13/133
D582,348 S * 12/2008 Shiu D13/133

* cited by examiner

Primary Examiner — Jennifer O King

(74) *Attorney, Agent, or Firm* — Chun-Ming Shih; HDLS IPR Services

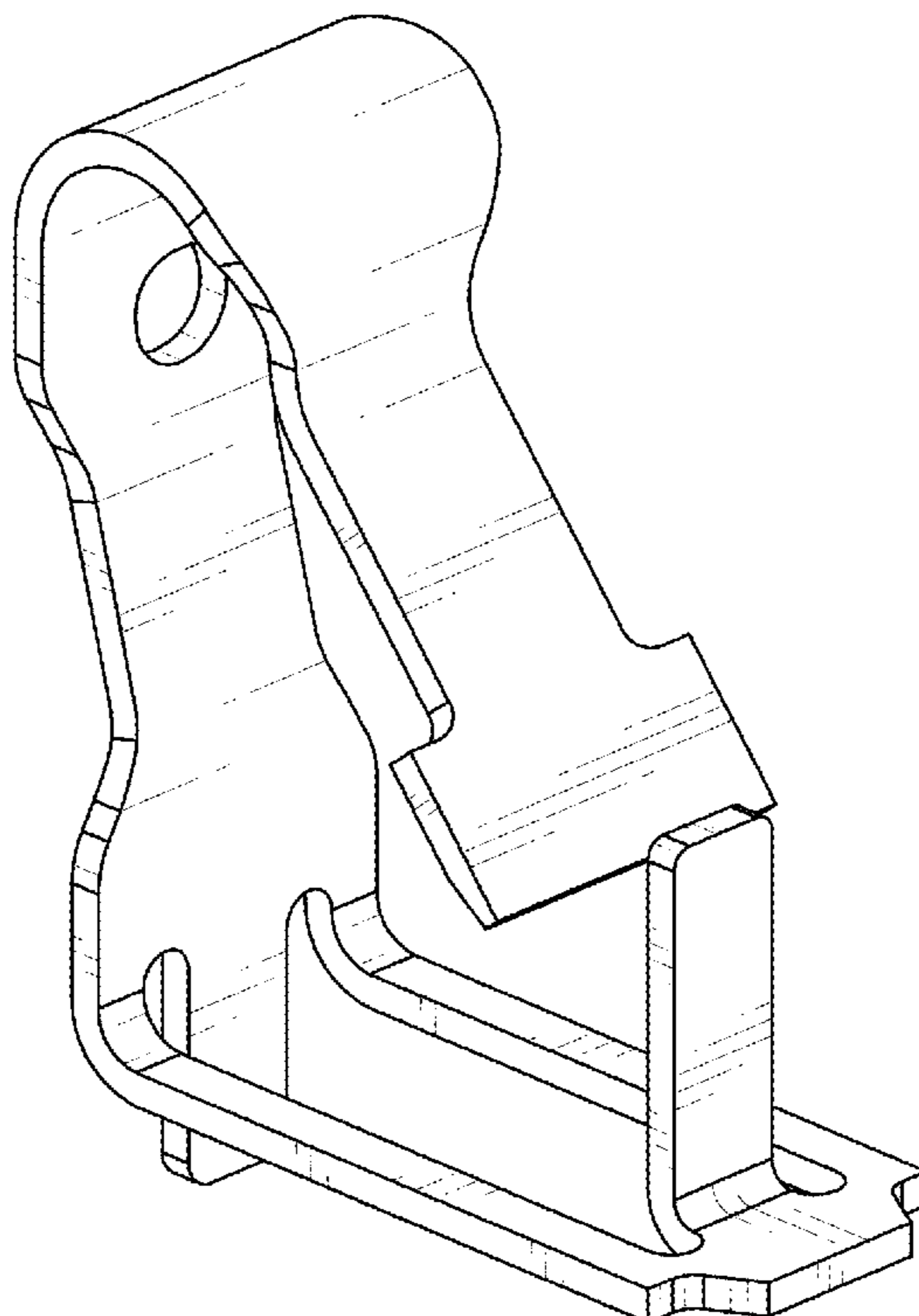
(57) **CLAIM**

The ornamental design for a wiring terminal, as shown and described.

DESCRIPTION

FIG. 1 is a perspective view of a wiring terminal showing my new design;
FIG. 2 is a front view thereof;
FIG. 3 is a rear view thereof;
FIG. 4 is a left side view thereof;
FIG. 5 is a right side view thereof;
FIG. 6 is a top view thereof; and,
FIG. 7 is a bottom view thereof.

1 Claim, 7 Drawing Sheets



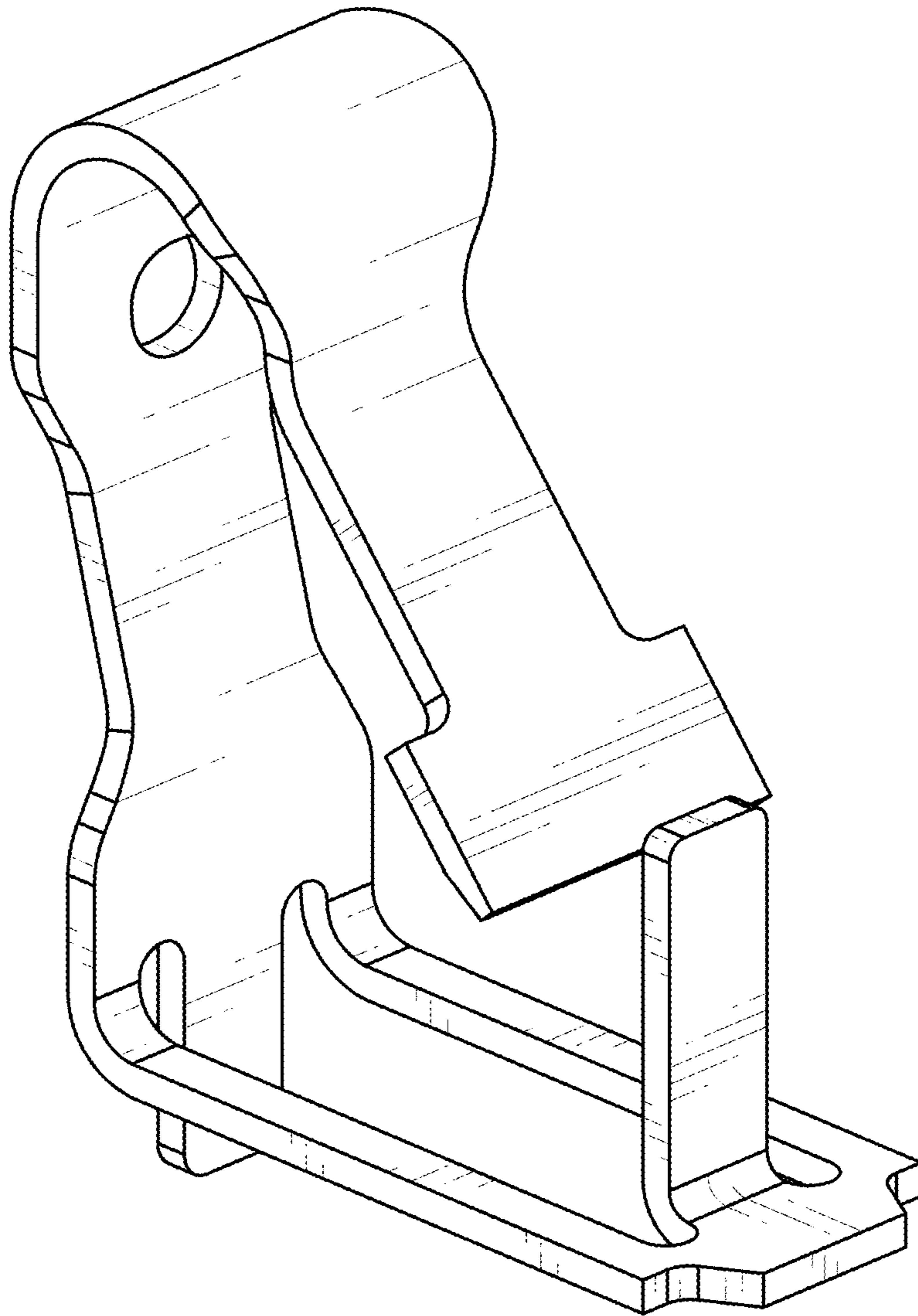


FIG.1

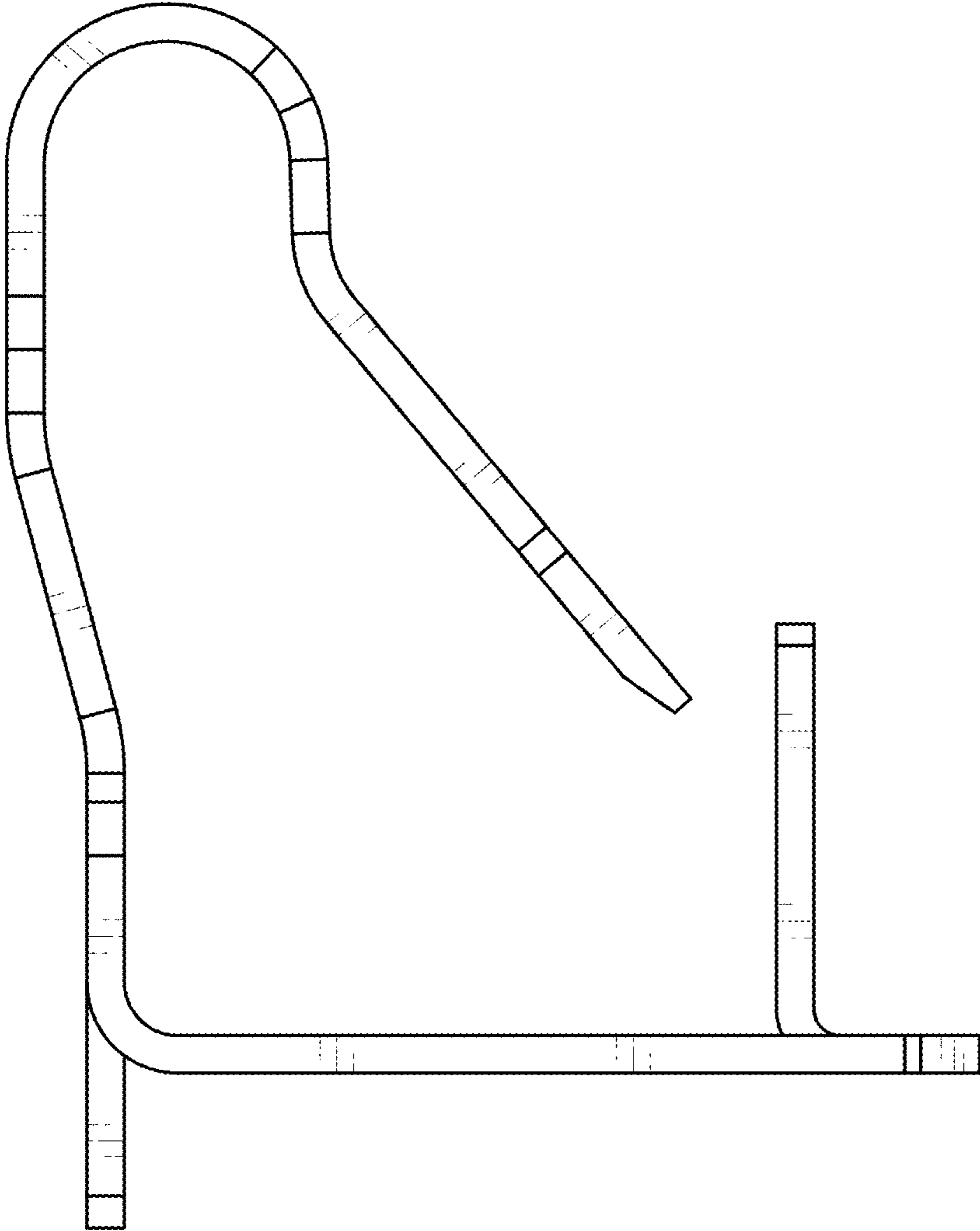


FIG.2

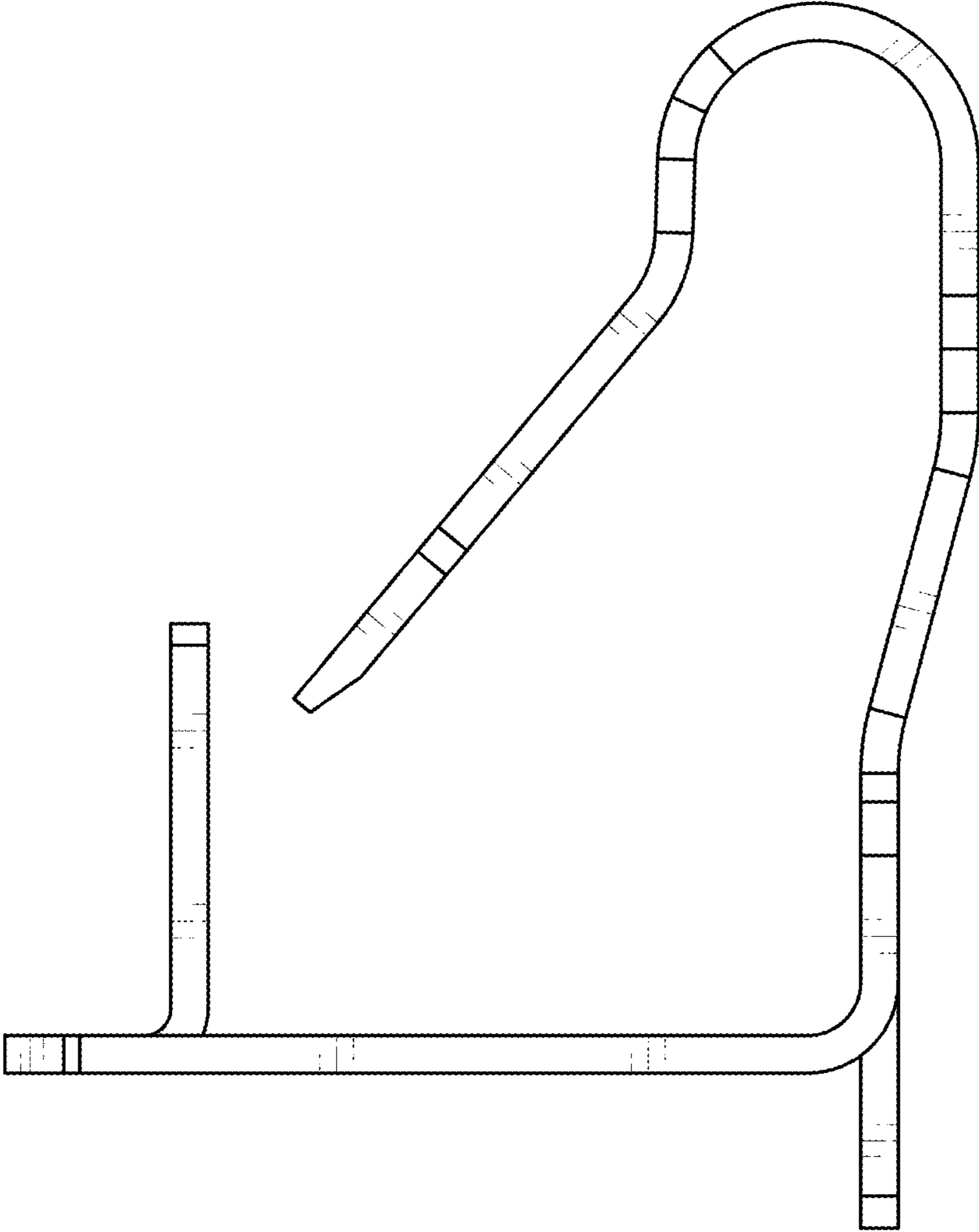


FIG.3

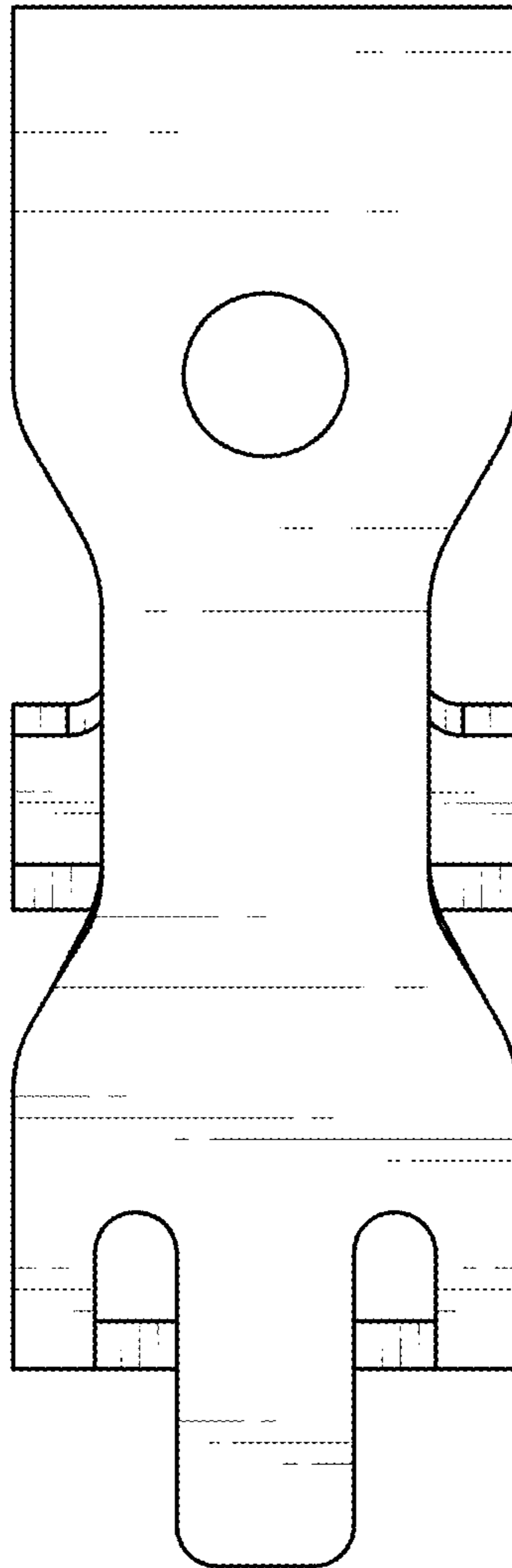


FIG.4

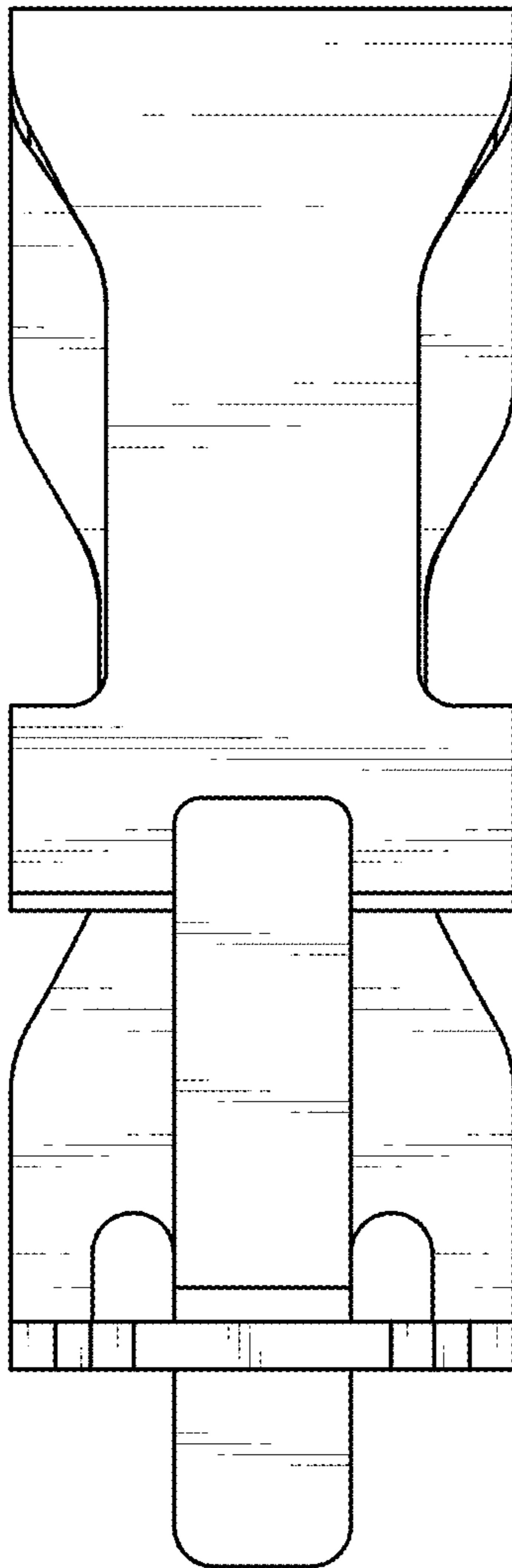


FIG.5

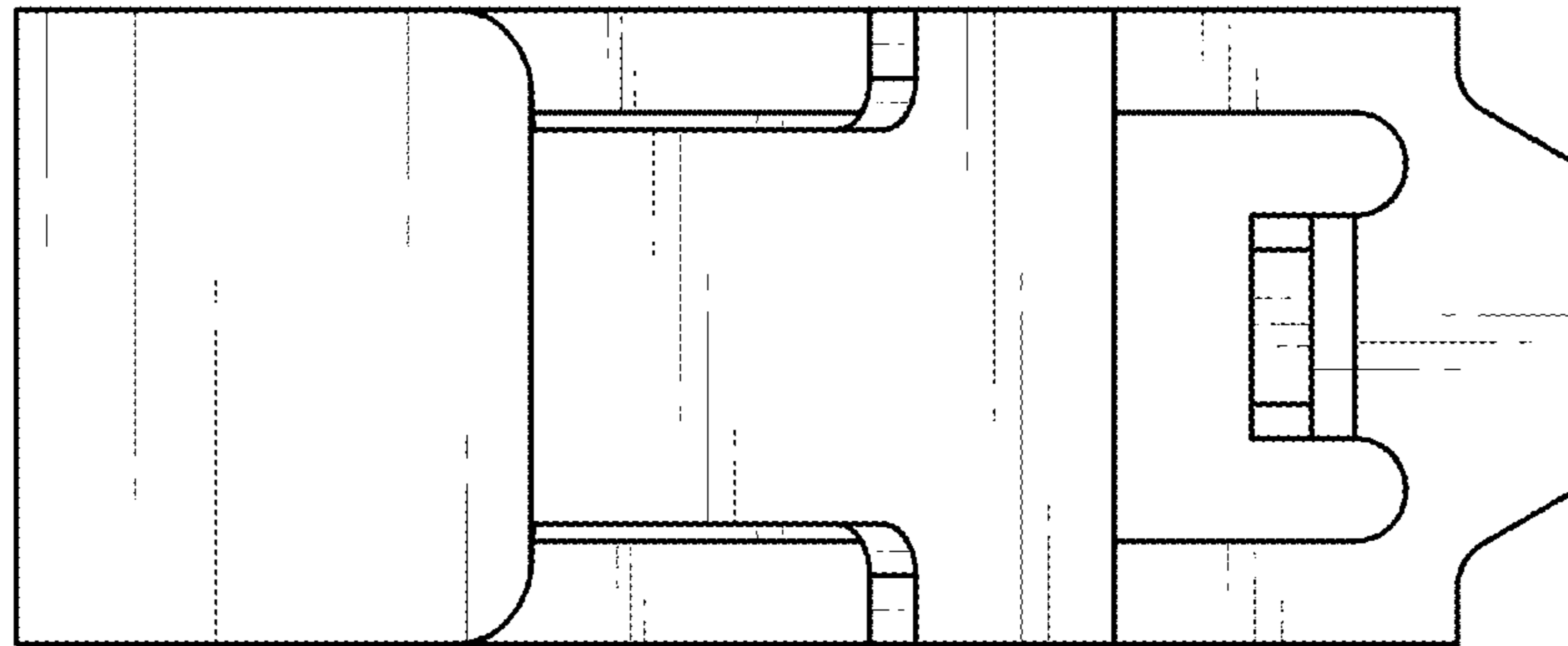


FIG.6

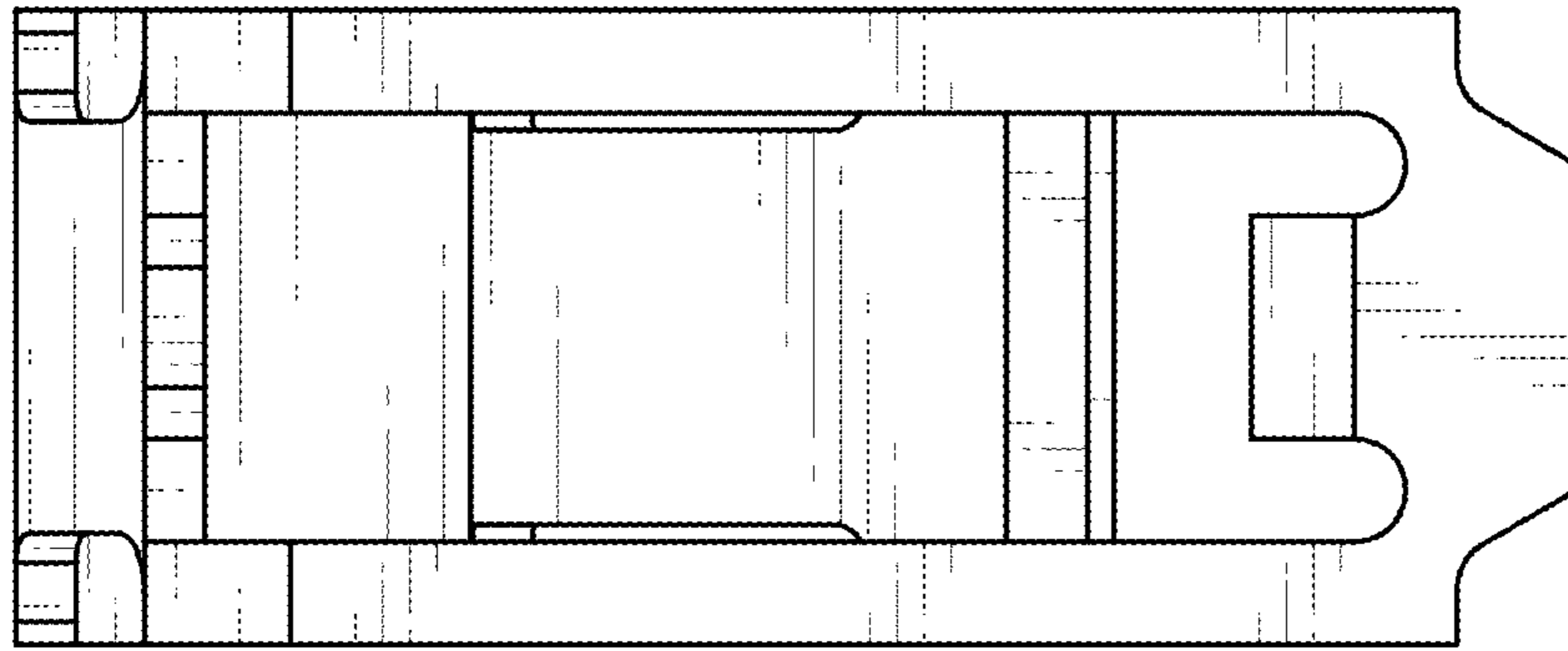


FIG.7