



US00D915298S

(12) **United States Design Patent**
Watkins

(10) **Patent No.:** **US D915,298 S**

(45) **Date of Patent:** **** Apr. 6, 2021**

- (54) **CABLE CONNECTOR SLEEVE**
- (71) Applicant: **PPC Broadband, Inc.**, East Syracuse, NY (US)
- (72) Inventor: **Harold Watkins**, Chittenango, NY (US)
- (73) Assignee: **PPC BROADBAND, INC.**, East Syracuse, NY (US)
- (**) Term: **15 Years**
- (21) Appl. No.: **29/667,448**
- (22) Filed: **Oct. 22, 2018**
- (51) **LOC (13) Cl.** **13-03**
- (52) **U.S. Cl.**
USPC **D13/154**
- (58) **Field of Classification Search**
USPC D13/133, 150, 154, 155, 151, 156, 149,
D13/199; D8/339, 382
CPC H01R 9/0524; H01R 9/0515
See application file for complete search history.

D838,249 S *	1/2019	Maroney	D13/154
D848,377 S *	5/2019	Maroney	D13/154
D872,025 S *	1/2020	Watkins	D13/133
D872,693 S *	1/2020	Watkins	D13/133
D875,051 S *	2/2020	Watkins	D13/154
D896,758 S *	9/2020	Watkins	D13/133
2017/0271812 A1 *	9/2017	Blunt	H01R 13/60

* cited by examiner

Primary Examiner — Jennifer O King

(74) *Attorney, Agent, or Firm* — MH2 Technology Law Group LLP

(57) **CLAIM**

The ornamental design for a cable connector sleeve, as shown and described.

DESCRIPTION

FIG. 1 is a front, top, left-side view of the cable connector sleeve;
 FIG. 2 is a left-side elevational view thereof;
 FIG. 3 is a right-side elevational view thereof;
 FIG. 4 is a front elevational view thereof;
 FIG. 5 is a rear elevational view thereof;
 FIG. 6 is a top plan view thereof; and,
 FIG. 7 is a bottom plan view thereof.

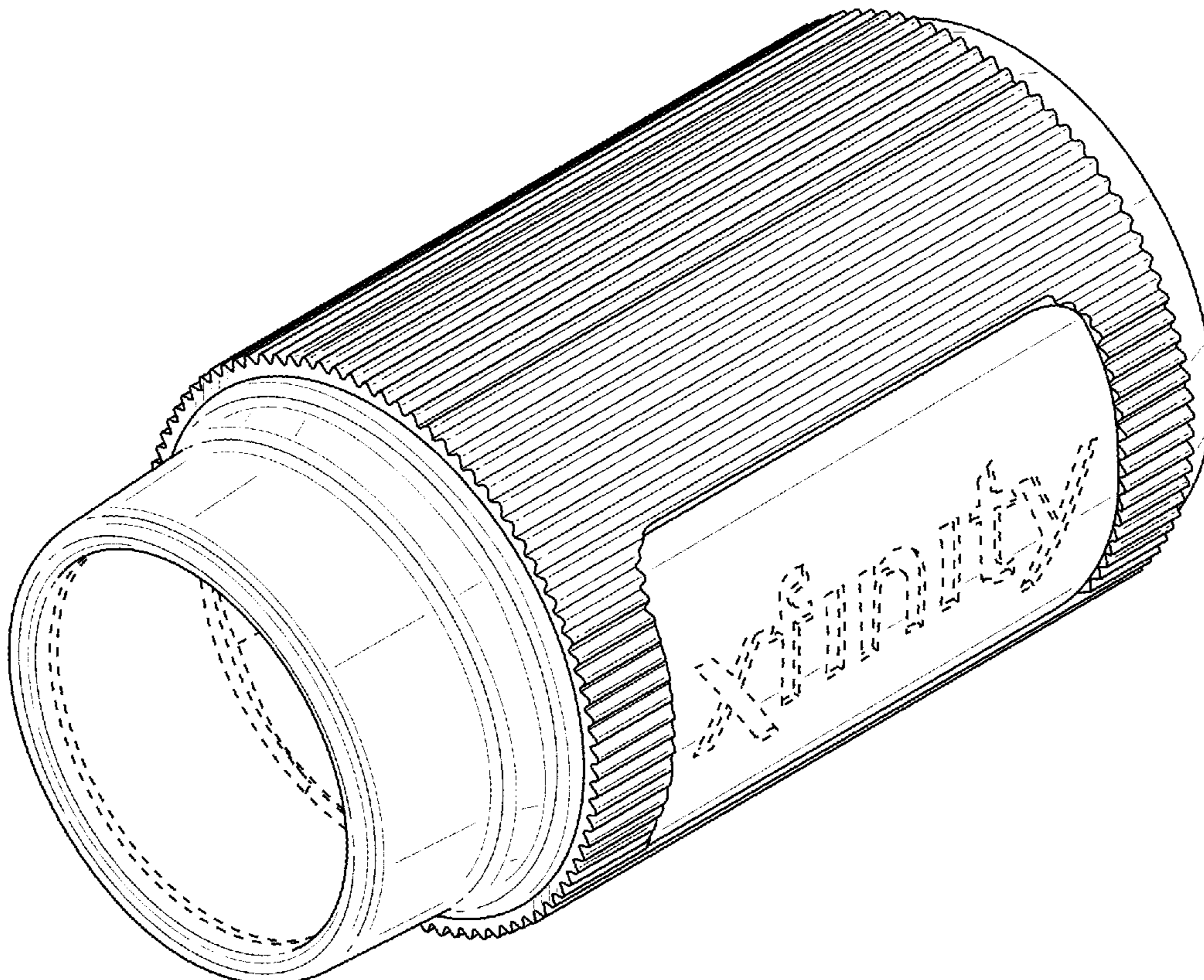
The broken lines in the drawings depict portions of the cable connector sleeve that form no part of the claimed design.

1 Claim, 7 Drawing Sheets

(56) **References Cited**

U.S. PATENT DOCUMENTS

D584,235 S *	1/2009	Montena	D13/133
D649,862 S *	12/2011	Arvinte	D8/339
D834,531 S *	11/2018	Maroney	D13/154
D834,532 S *	11/2018	Maroney	D13/154
D837,743 S *	1/2019	Maroney	D13/154



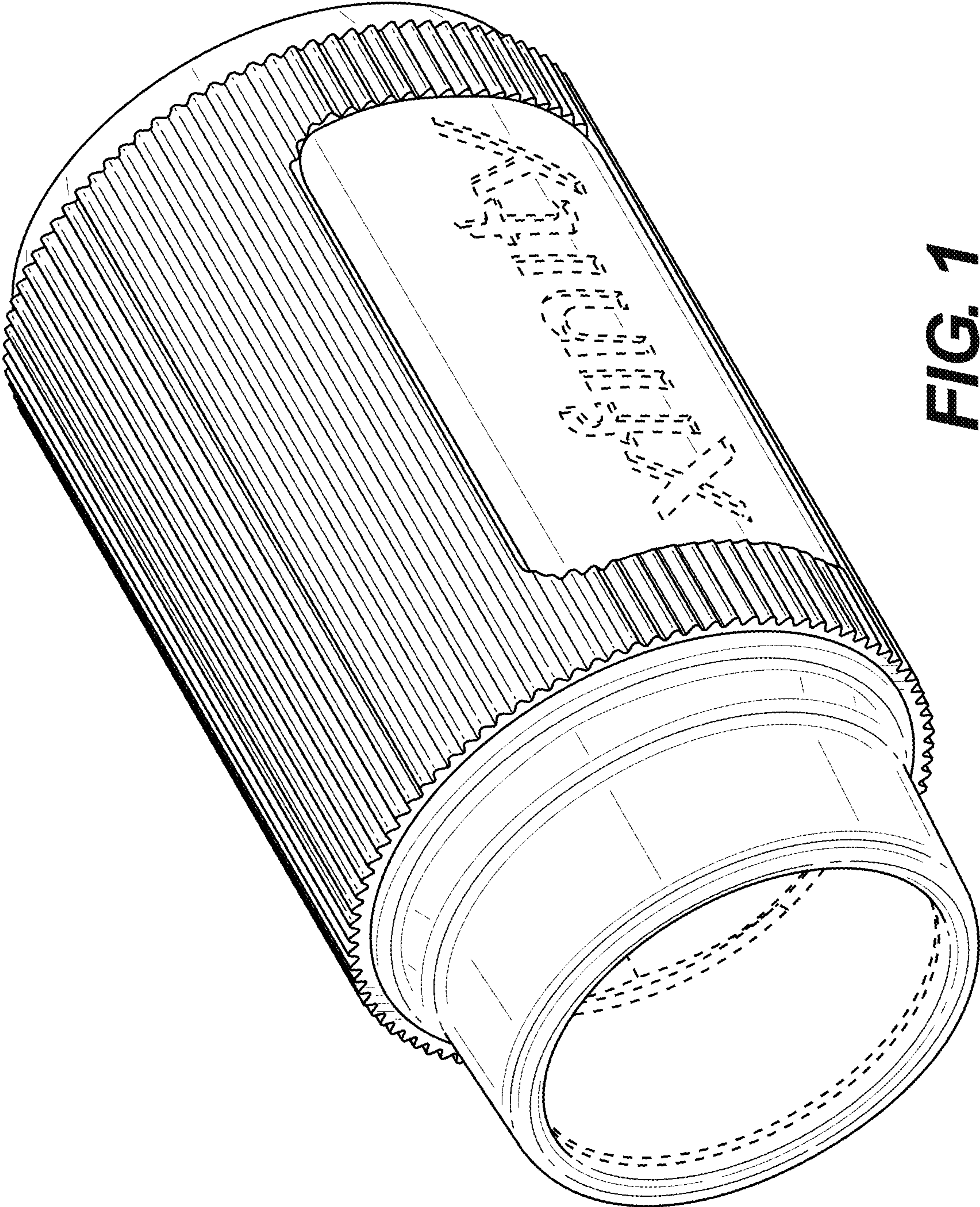


FIG. 1

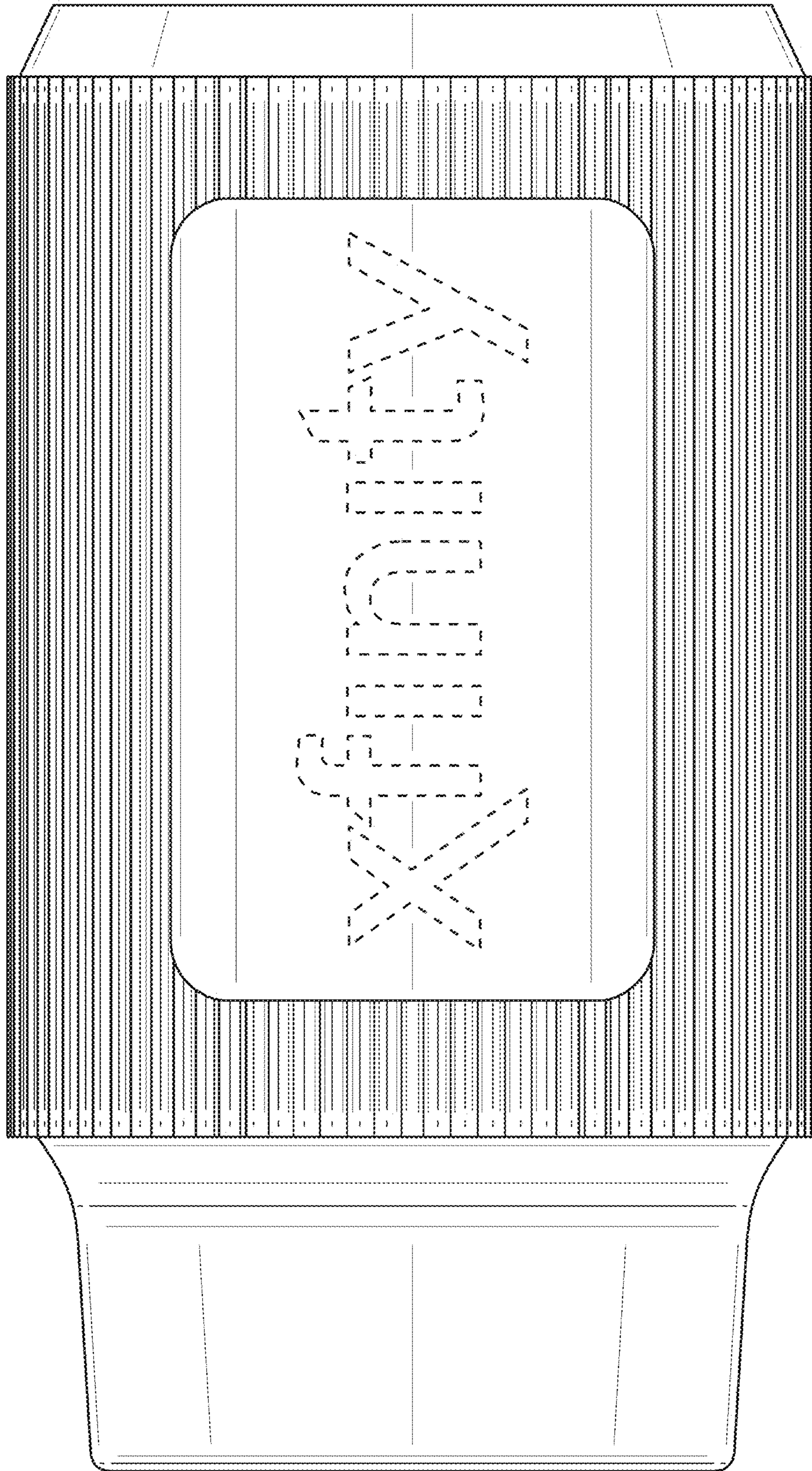


FIG. 2

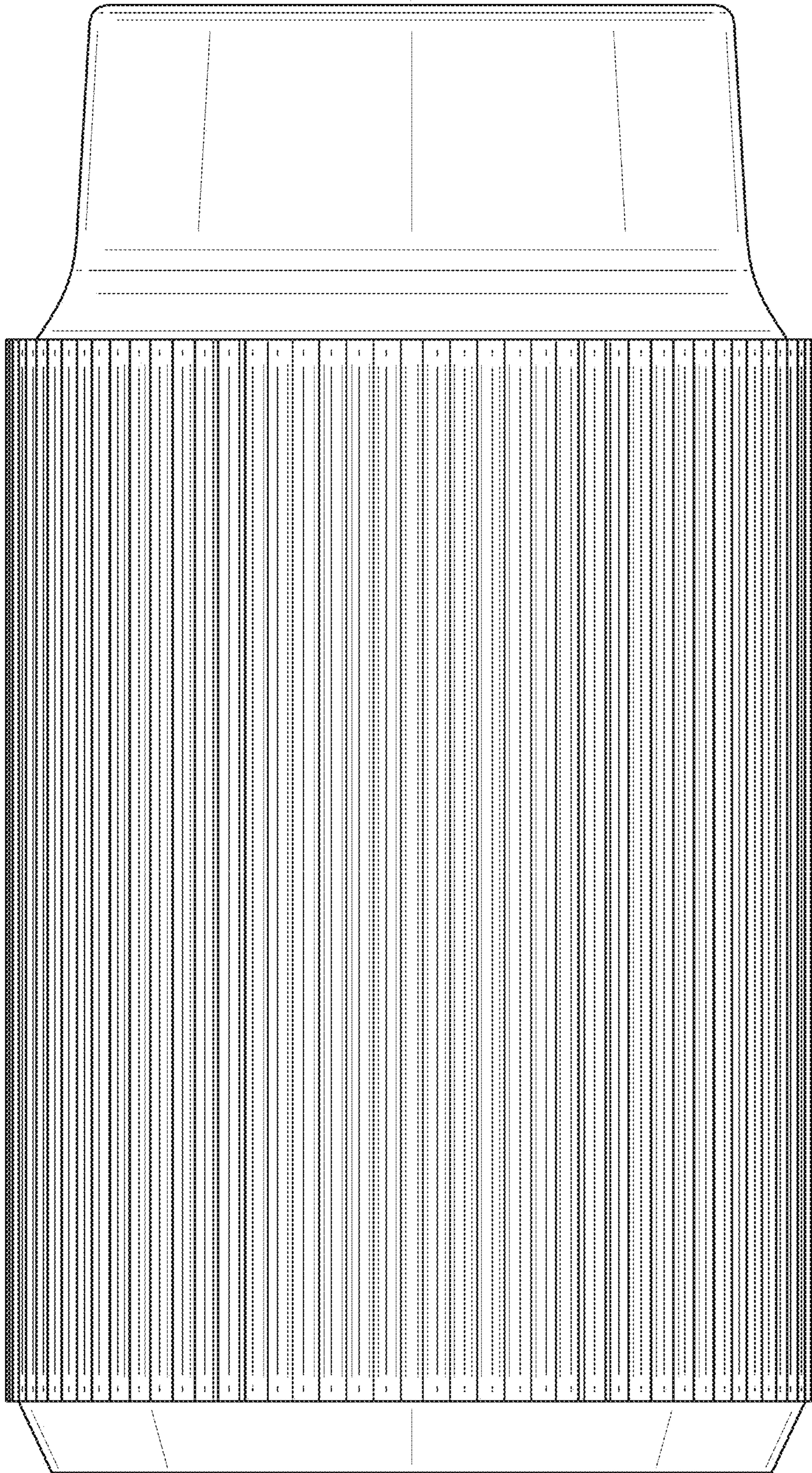


FIG. 3

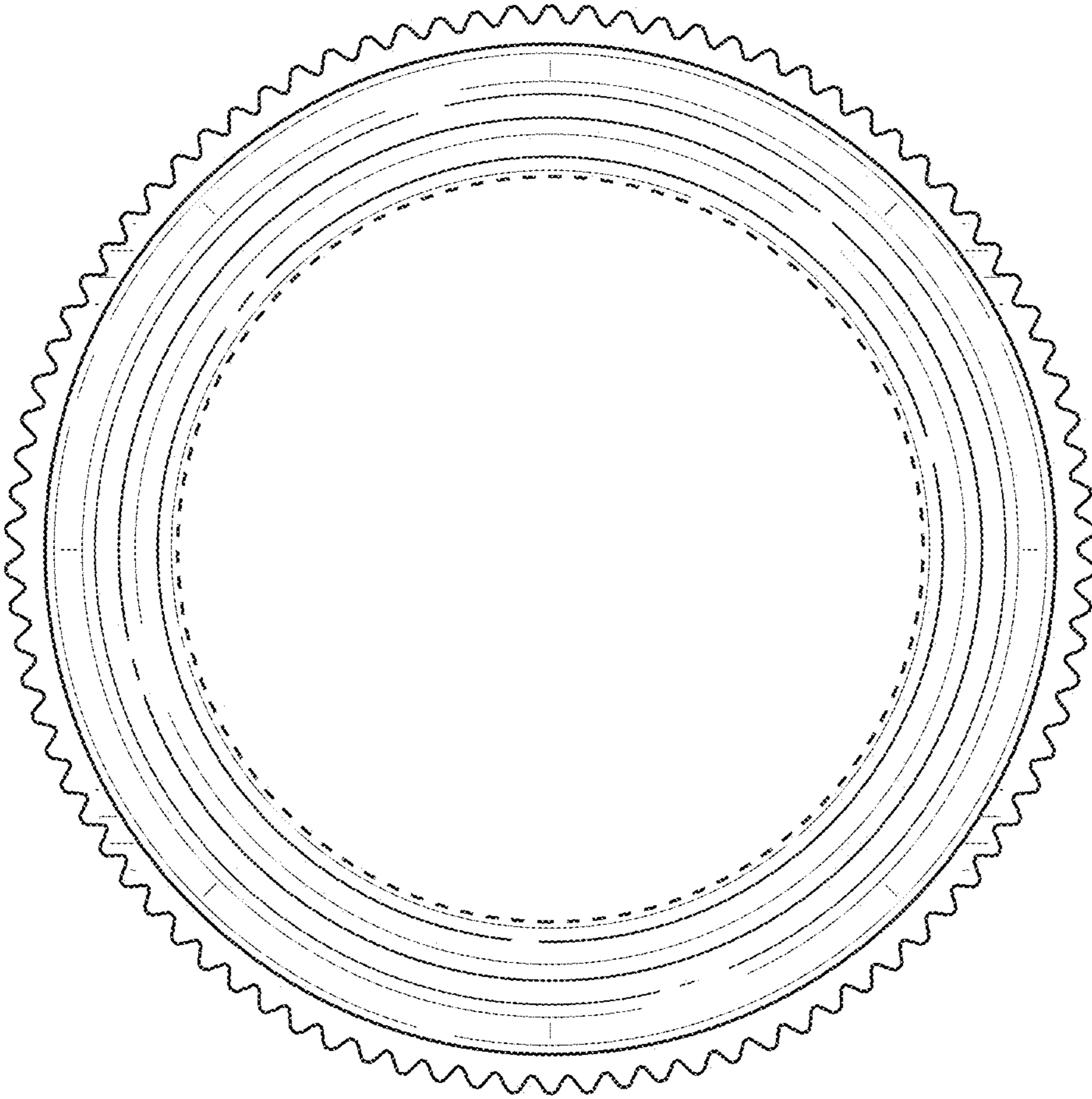


FIG. 4

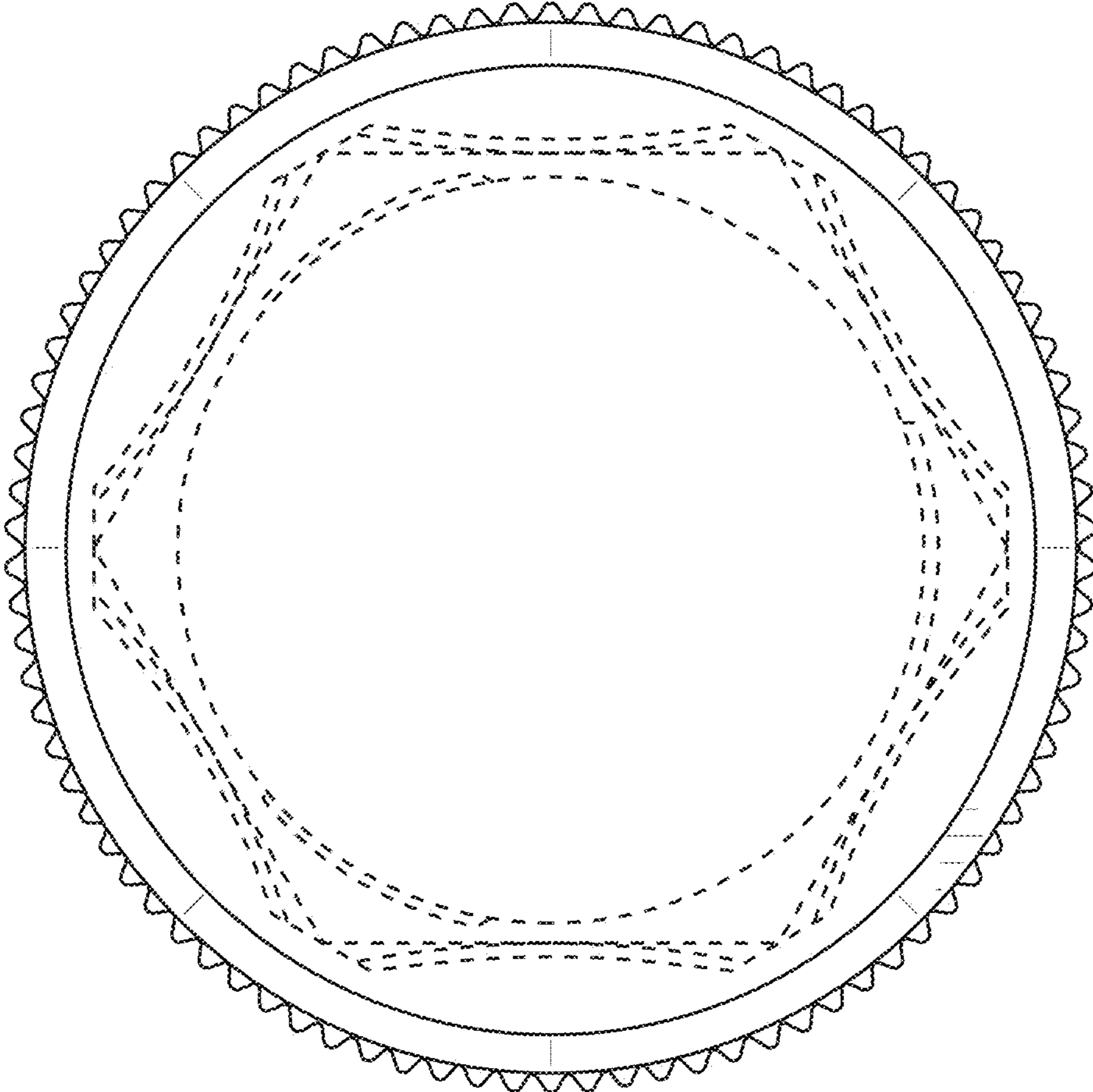


FIG. 5

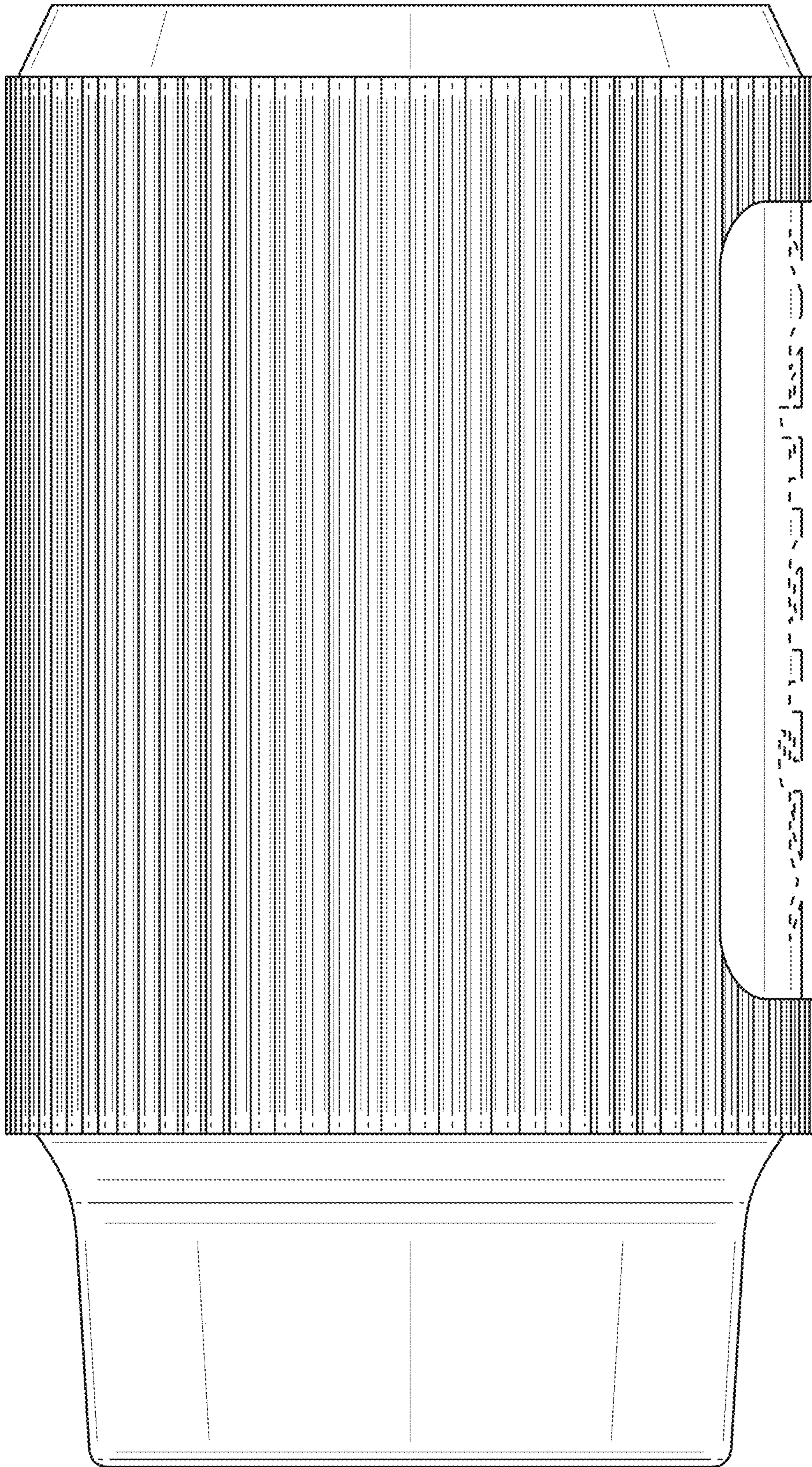


FIG. 6

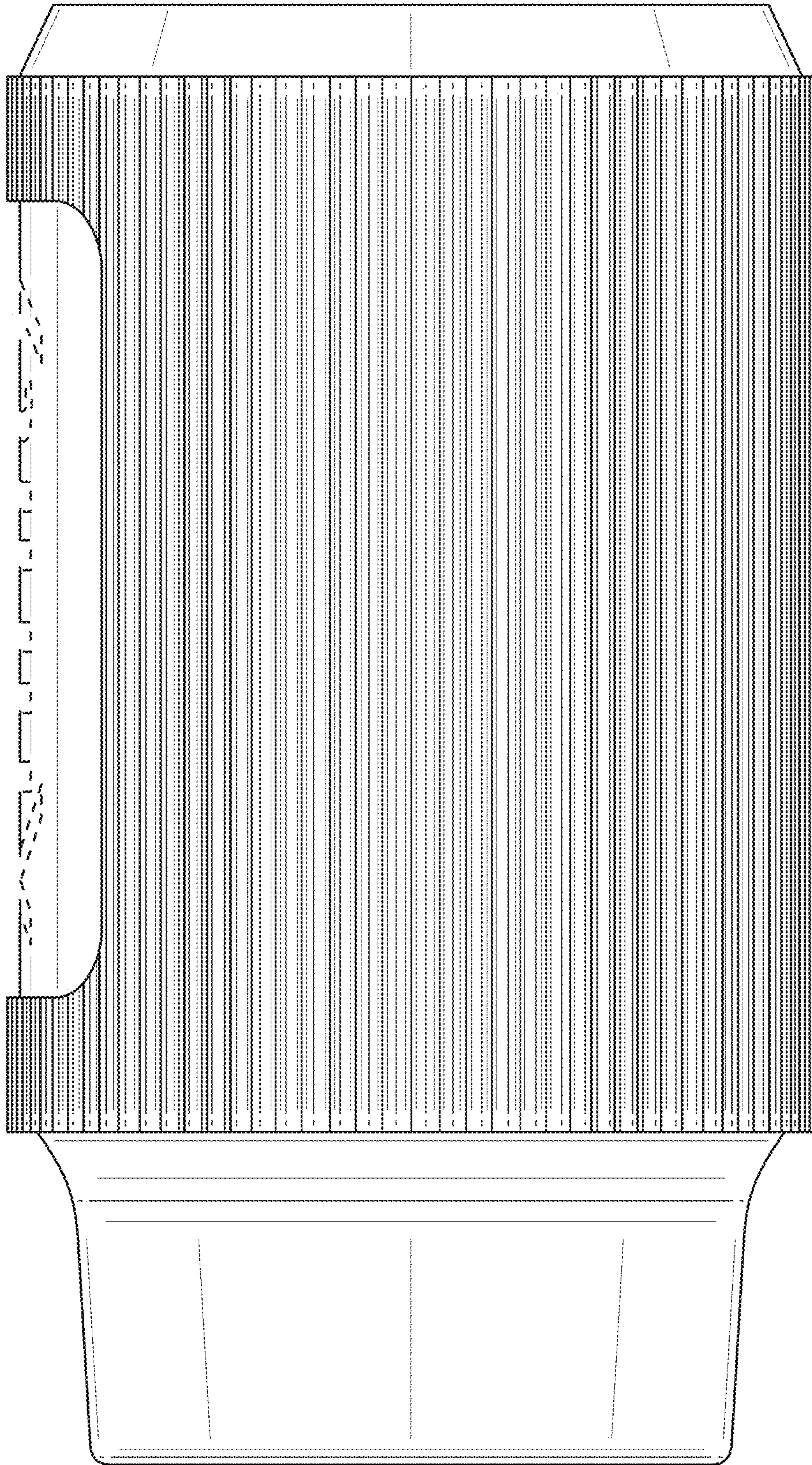


FIG. 7