



US00D915295S

(12) **United States Design Patent** (10) **Patent No.:** **US D915,295 S**  
**Watkins** (45) **Date of Patent:** **\*\* Apr. 6, 2021**

(54) **CABLE CONNECTOR**  
(71) Applicant: **PPC Broadband, Inc.**, East Syracuse, NY (US)  
(72) Inventor: **Harold Watkins**, Chittenango, NY (US)  
(73) Assignee: **PPC BROADBAND, INC.**, East Syracuse, NY (US)

D741,805 S \* 10/2015 Davidson, Jr. .... D13/133  
D777,112 S \* 1/2017 Watkins ..... D13/151  
D787,448 S \* 5/2017 Robert ..... D13/151  
D804,426 S \* 12/2017 Watkins ..... D13/151  
D810,029 S \* 2/2018 Robert ..... D13/151  
D900,753 S \* 11/2020 Davison, Jr. .... D13/149  
2008/0085630 A1 \* 4/2008 Amidon ..... H01R 9/0524  
439/578  
2012/0094532 A1 \* 4/2012 Montena ..... H01R 9/0524  
439/578

(\*\*) Term: **15 Years**

\* cited by examiner

(21) Appl. No.: **29/667,457**

*Primary Examiner* — Jennifer O King

(22) Filed: **Oct. 22, 2018**

(74) *Attorney, Agent, or Firm* — MH2 Technology Law Group LLP

(51) **LOC (13) Cl.** ..... **13-03**

(52) **U.S. Cl.**  
USPC ..... **D13/151**

(57) **CLAIM**

The ornamental design for a cable connector, as shown and described.

(58) **Field of Classification Search**  
USPC ..... D13/133, 150, 154, 155, 151, 156, 149,  
D13/199; D8/339, 382  
CPC ..... H01R 9/0524; H01R 9/0515  
See application file for complete search history.

**DESCRIPTION**

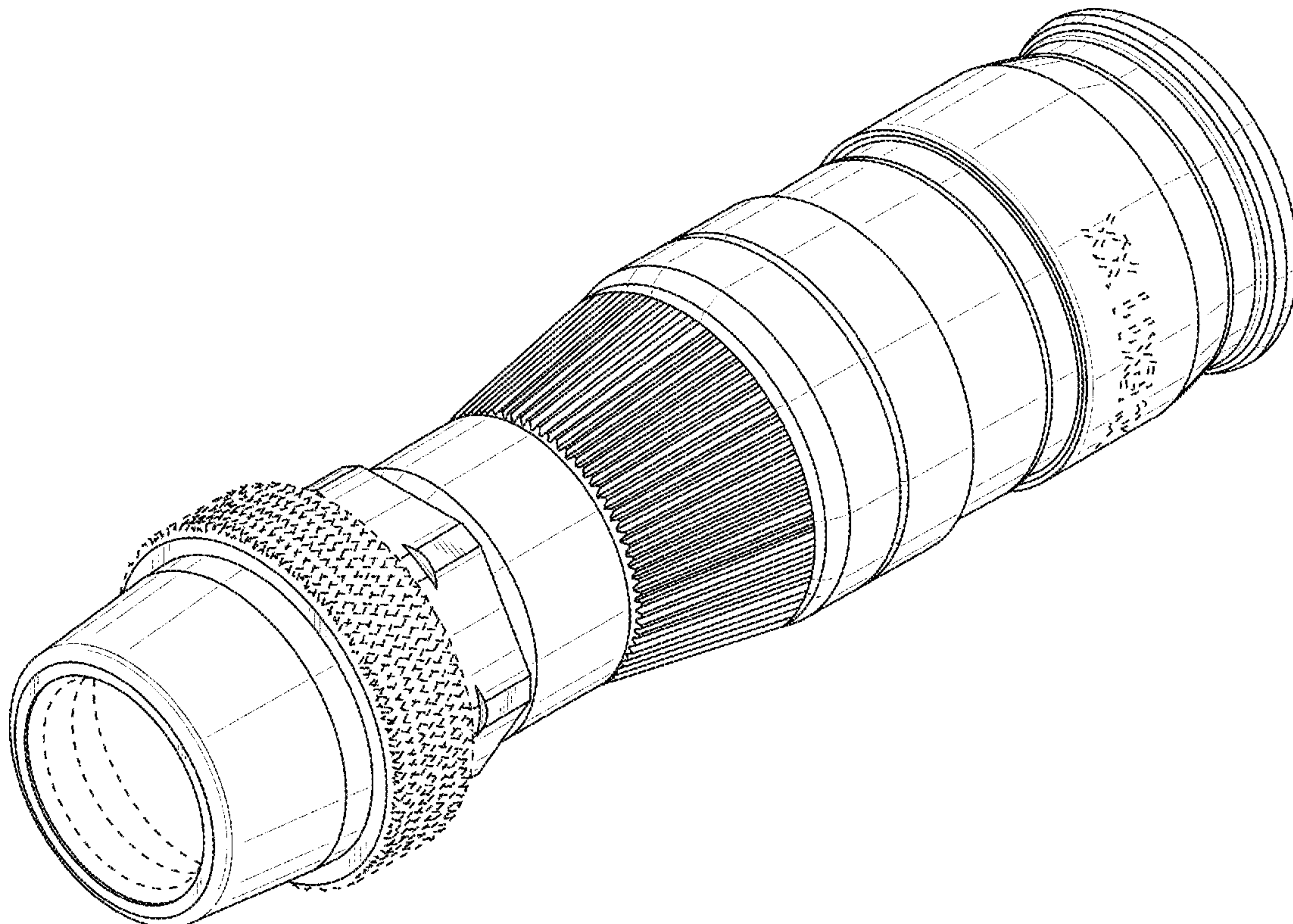
FIG. 1 is a front, top, left-side view of the cable connector; FIG. 2 is a left-side elevational view thereof; FIG. 3 is a right-side elevational view thereof; FIG. 4 is a top plan view thereof; FIG. 5 is a bottom plan view thereof; FIG. 6 is a front elevational view thereof; and, FIG. 7 is a rear elevational view thereof. The broken lines in the drawings depict portions of the cable connector that form no part of the claimed design.

(56) **References Cited**

U.S. PATENT DOCUMENTS

D204,028 S \* 3/1966 Wojciechowski ..... D13/199  
D313,974 S \* 1/1991 Meller ..... D13/171  
7,179,121 B1 \* 2/2007 Burris ..... H01R 9/0524  
439/578  
D662,893 S \* 7/2012 Haberek ..... D13/151  
D679,660 S \* 4/2013 Haberek ..... D13/151

**1 Claim, 7 Drawing Sheets**



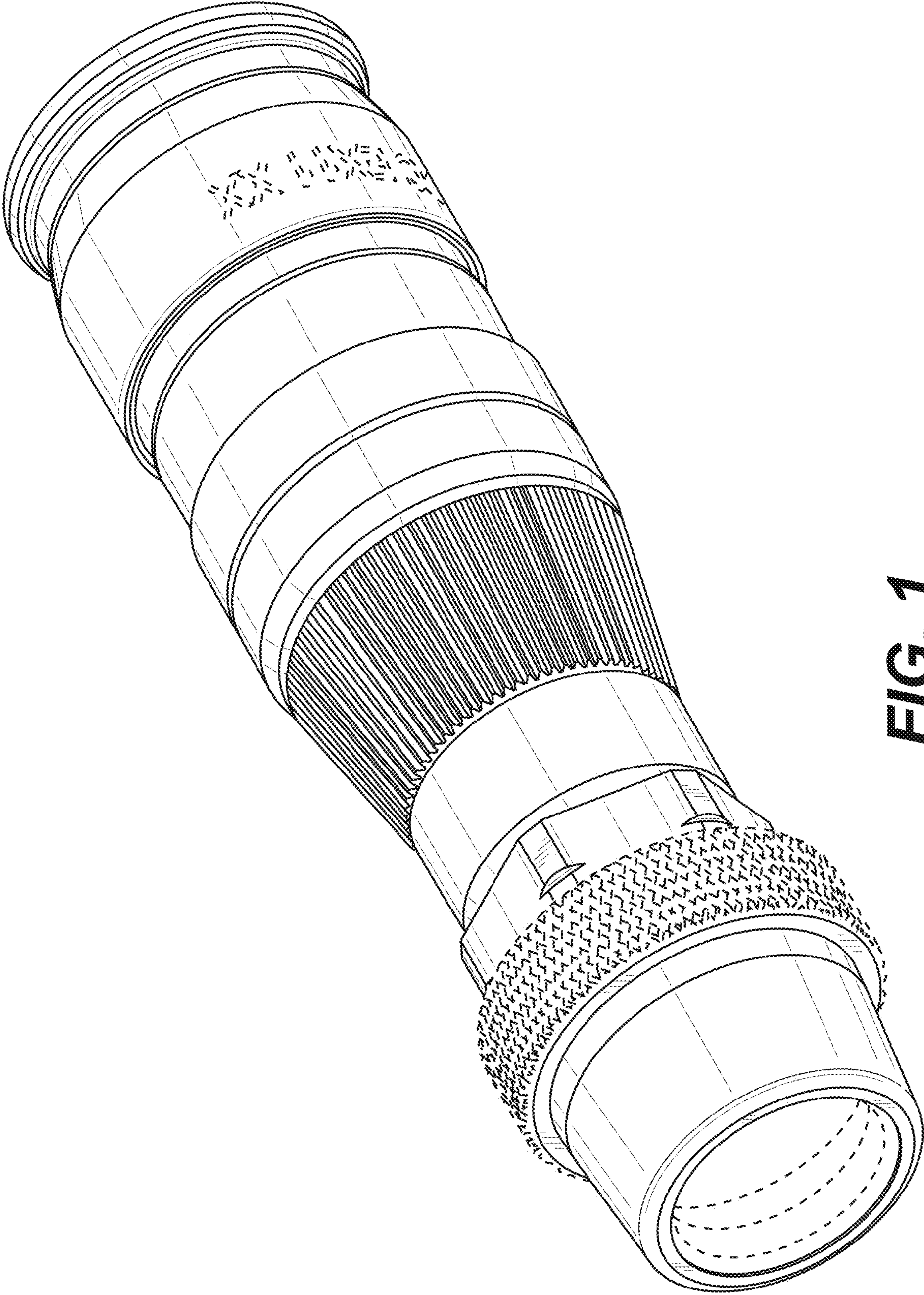
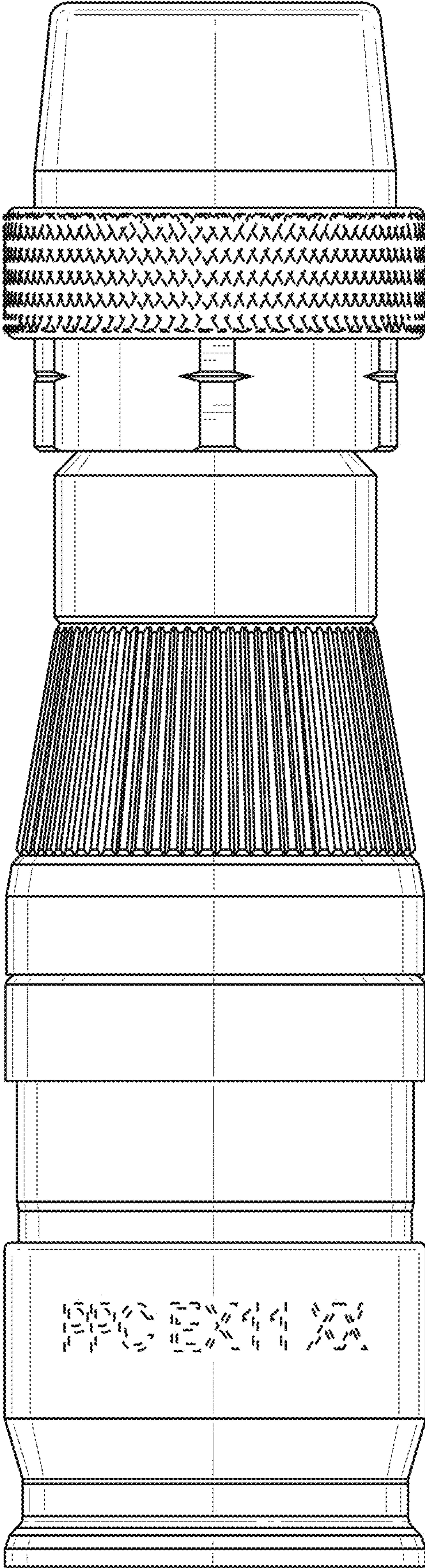
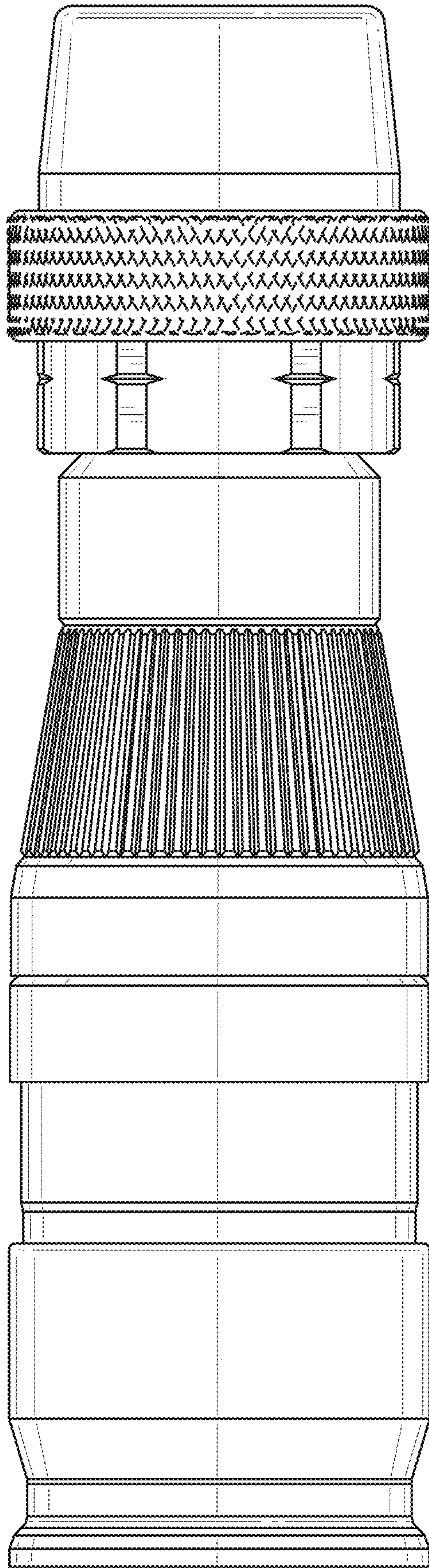


FIG. 1

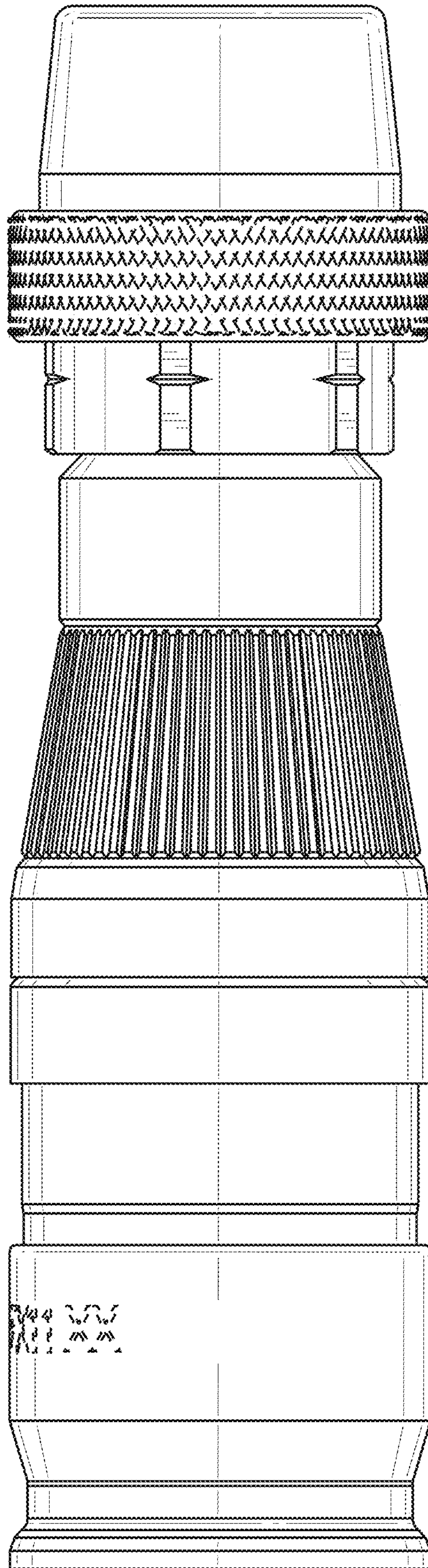




**FIG. 2**

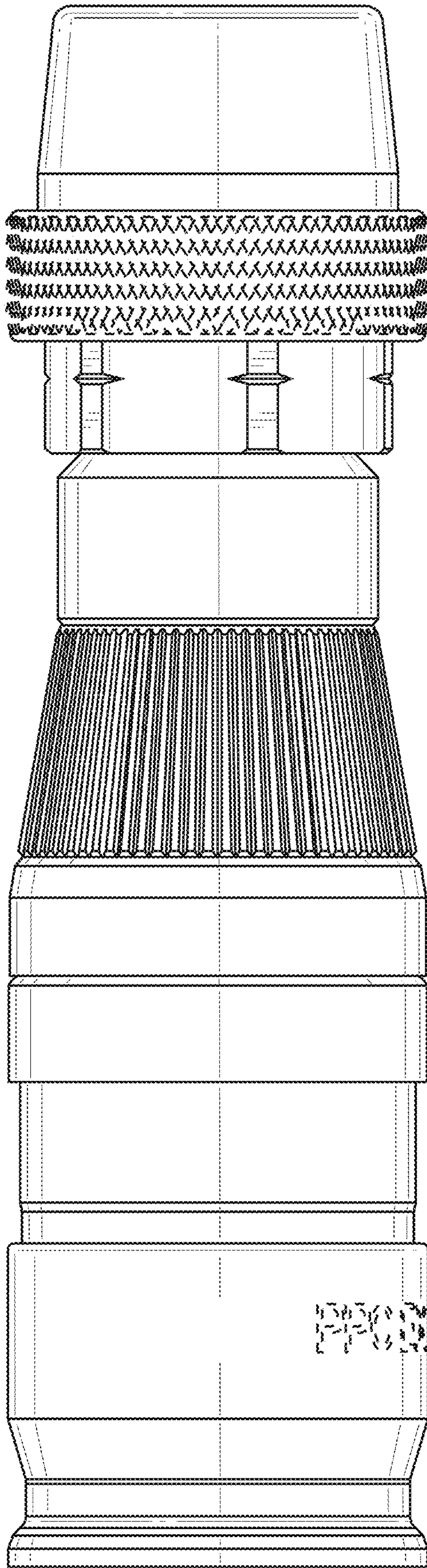


**FIG. 3**

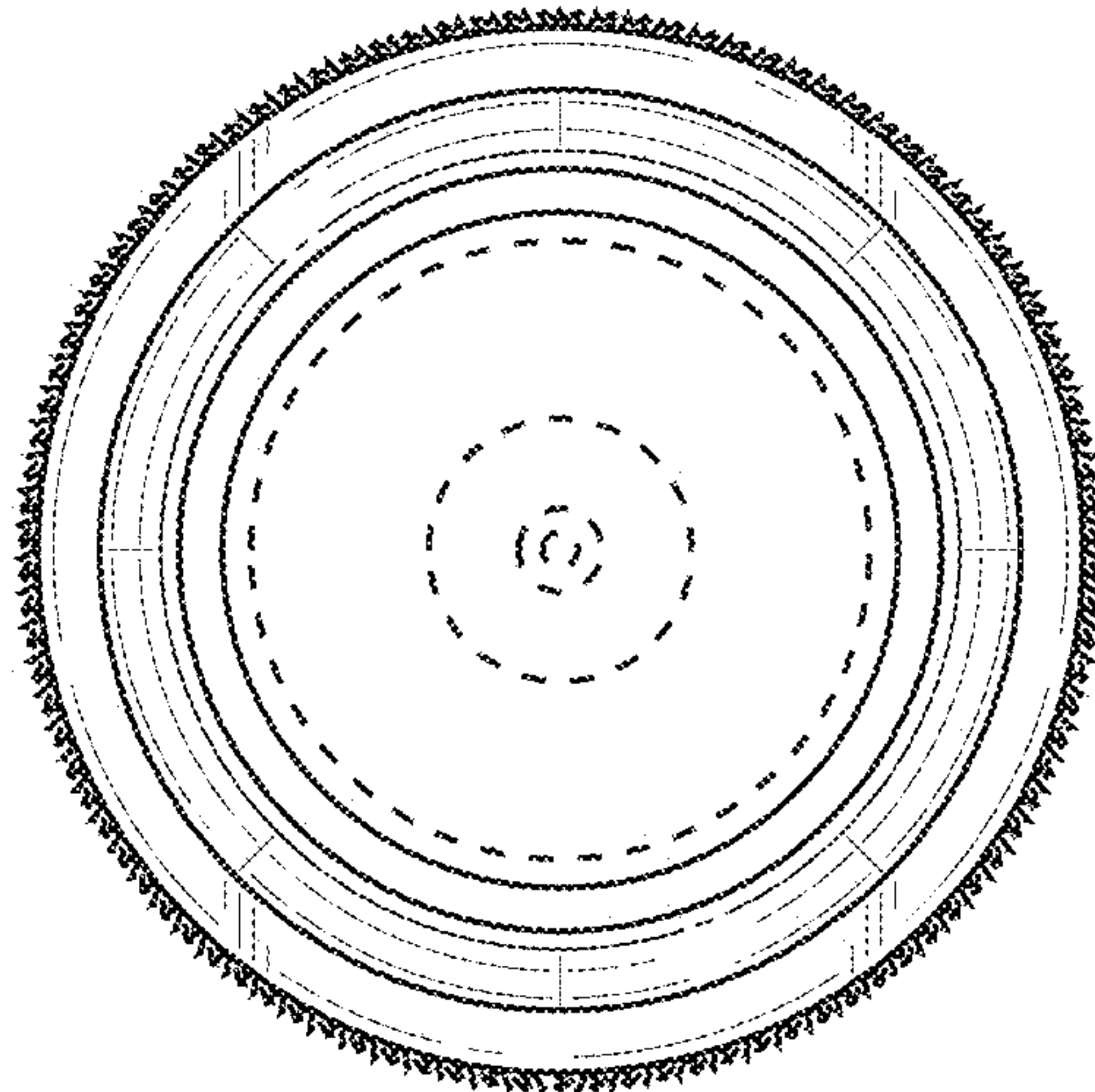


**FIG. 4**

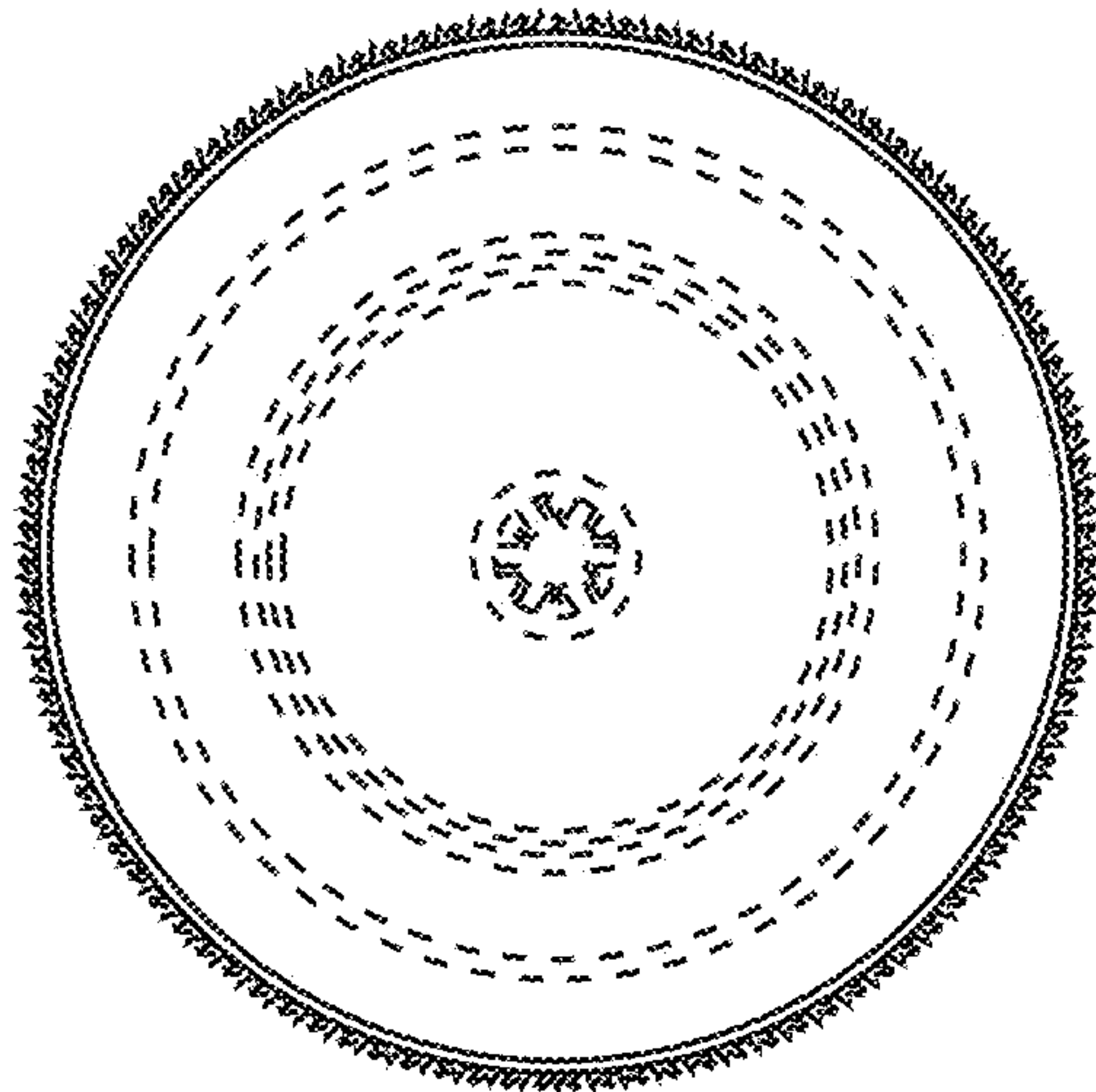




**FIG. 5**



**FIG. 6**



**FIG. 7**