



US00D915293S

(12) **United States Design Patent** (10) **Patent No.:** **US D915,293 S**
Hernandez et al. (45) **Date of Patent:** **** Apr. 6, 2021**

- (54) **WIRE CONNECTOR**
- (71) Applicants: **Alfonso Julian Hernandez**, North Reading, MA (US); **Christopher Anthony Bonner**, Watertown, MA (US)
- (72) Inventors: **Alfonso Julian Hernandez**, North Reading, MA (US); **Christopher Anthony Bonner**, Watertown, MA (US)
- (73) Assignee: **Osram Sylvania Inc.**, Wilmington, MA (US)

D717,734 S	11/2014	Habirov	
D739,822 S	9/2015	Severing	
D747,270 S	1/2016	Severing	
9,899,752 B2	2/2018	Wu et al.	
D826,164 S *	8/2018	Mastel	D13/146
D826,165 S *	8/2018	Mastel	D13/146
D837,788 S *	1/2019	Bagley	D14/433
D837,789 S *	1/2019	Woody	D14/433
D859,189 S *	9/2019	Mendoza	D10/75
D862,394 S *	10/2019	Hernandez	D13/147
D881,132 S *	4/2020	Bagley	D13/146
D888,060 S *	6/2020	Cote	D14/433
2006/0105637 A1	5/2006	Chiang	

- (**) Term: **15 Years**
- (21) Appl. No.: **29/706,404**
- (22) Filed: **Sep. 19, 2019**

Related U.S. Application Data

- (62) Division of application No. 29/637,221, filed on Feb. 14, 2018, now Pat. No. Des. 862,394.
- (51) **LOC (13) Cl.** **13-03**
- (52) **U.S. Cl.**
USPC **D13/147**
- (58) **Field of Classification Search**
USPC D13/103, 107, 108, 110, 112, 118, 120, D13/123, 133, 137.1, 145-147, 149-156, D13/158, 173, 177, 184, 199; D14/240, D14/242, 432-435, 436-438, 435.1
CPC H01R 9/22
See application file for complete search history.

(56) **References Cited**

U.S. PATENT DOCUMENTS

D593,951 S	6/2009	Yoon
D625,270 S	10/2010	Shafmeister
D641,703 S	7/2011	Severing
D676,391 S	2/2013	Gassauer

OTHER PUBLICATIONS

Newark. Pluggable Terminal Block. No date specified. <https://bit.ly/3fUgoND> (Year: 0).*

* cited by examiner

Primary Examiner — Darcey E Gottschalk

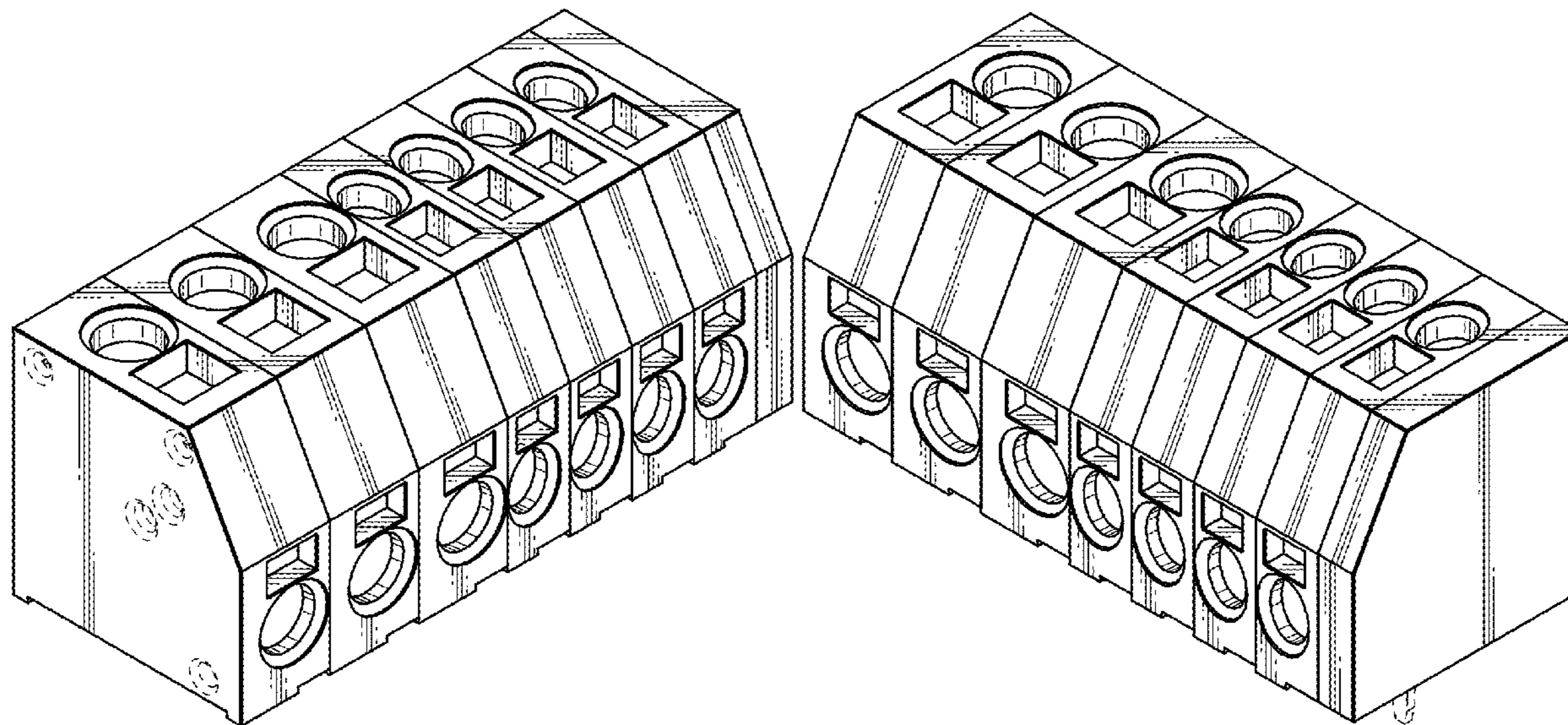
(57) **CLAIM**

The ornamental design for a wire connector, as shown and described.

DESCRIPTION

FIG. 1 is a front, top and left side perspective view of a wire connector showing our new design;
 FIG. 2 is a front elevation view thereof;
 FIG. 3 is a back elevation view thereof;
 FIG. 4 is a left side elevation view thereof;
 FIG. 5 is a right side view thereof.
 FIG. 6 is a top plan view thereof;
 FIG. 7 is a bottom plan view thereof; and,
 FIG. 8 is front, top and right perspective view thereof.
 The broken-line disclosure in the views is understood to represent portions of the article in which the claimed design is embodied, but which form no part of the claimed design.

1 Claim, 5 Drawing Sheets



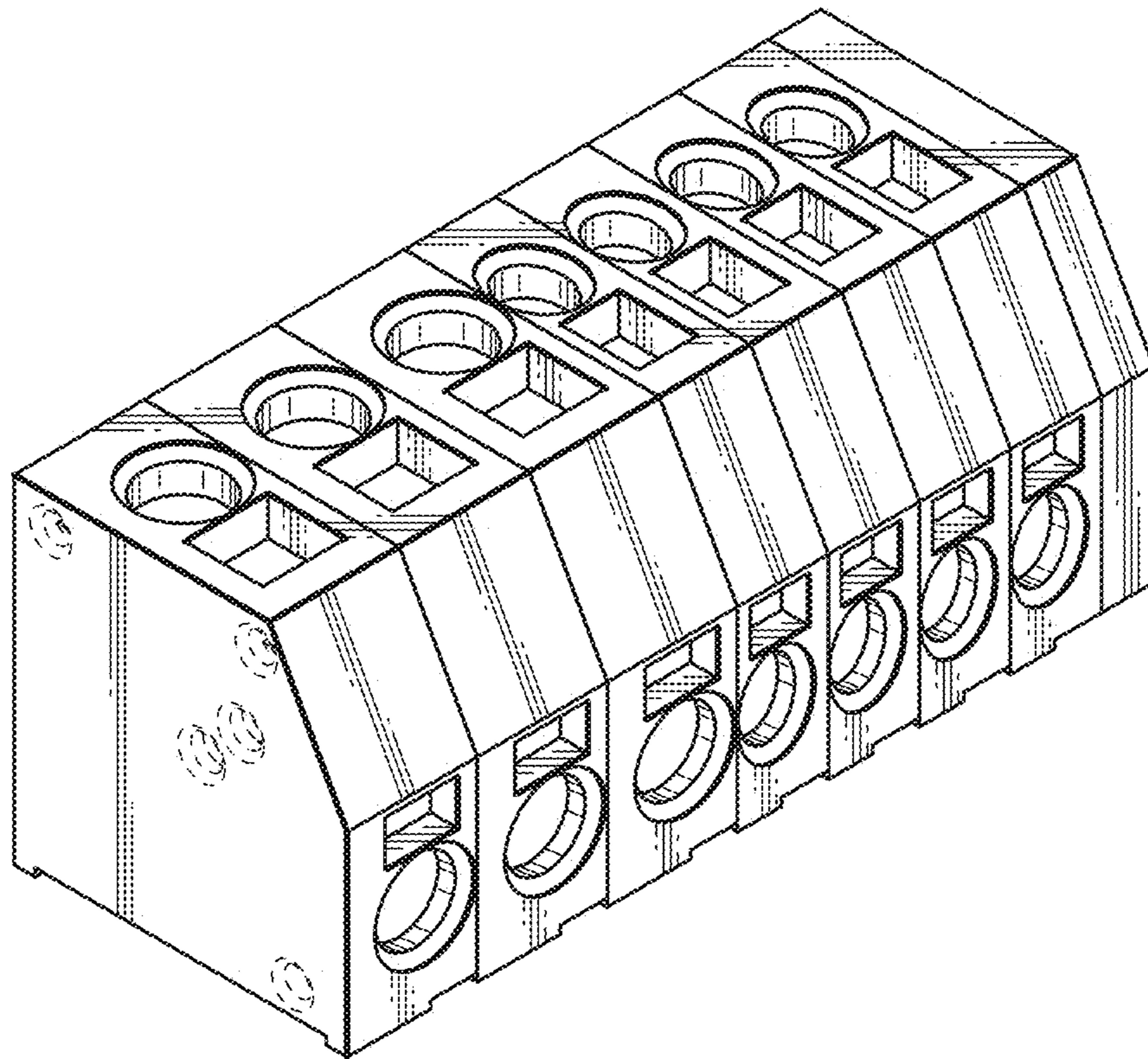


FIG. 1

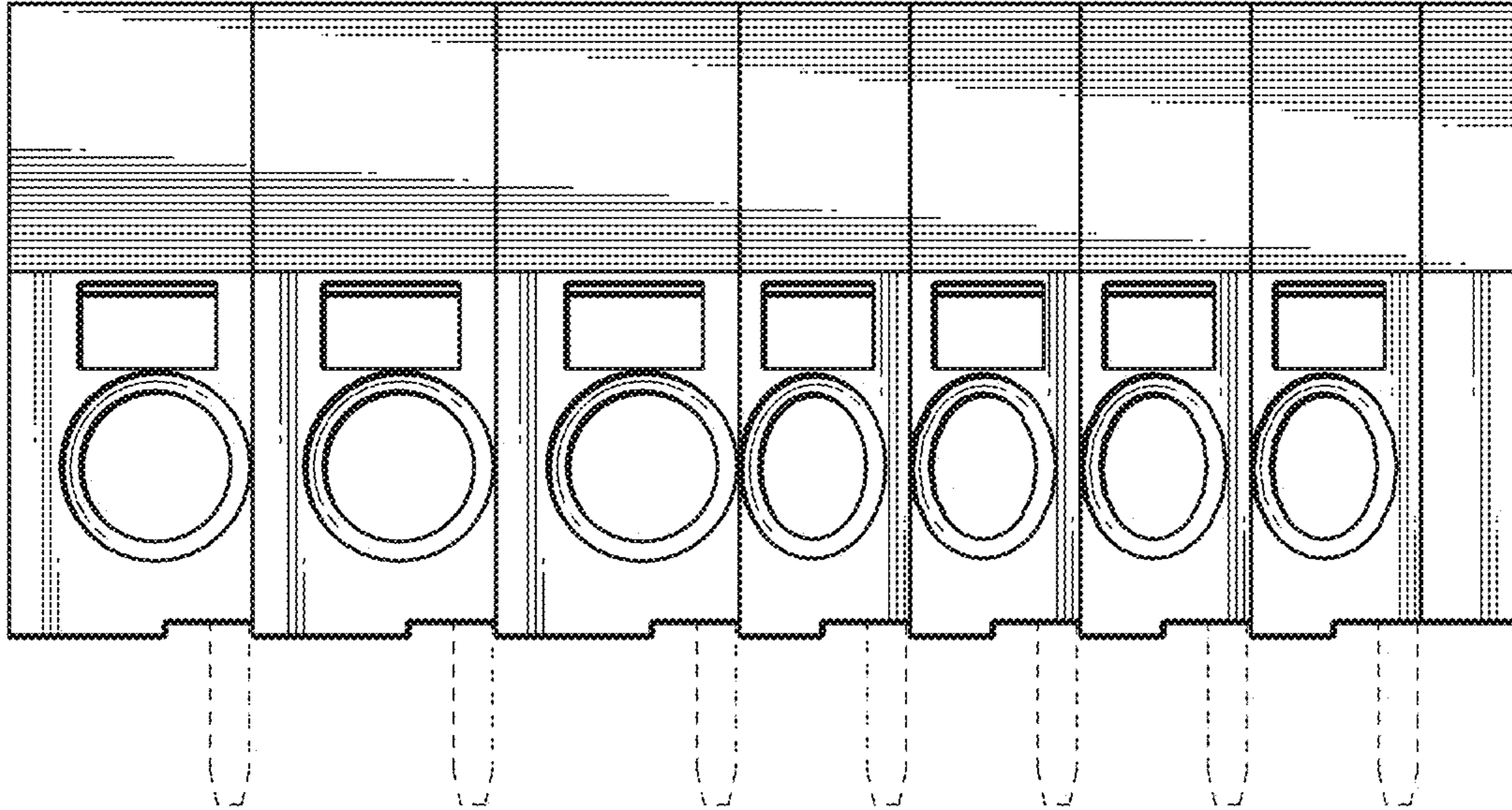


FIG. 2

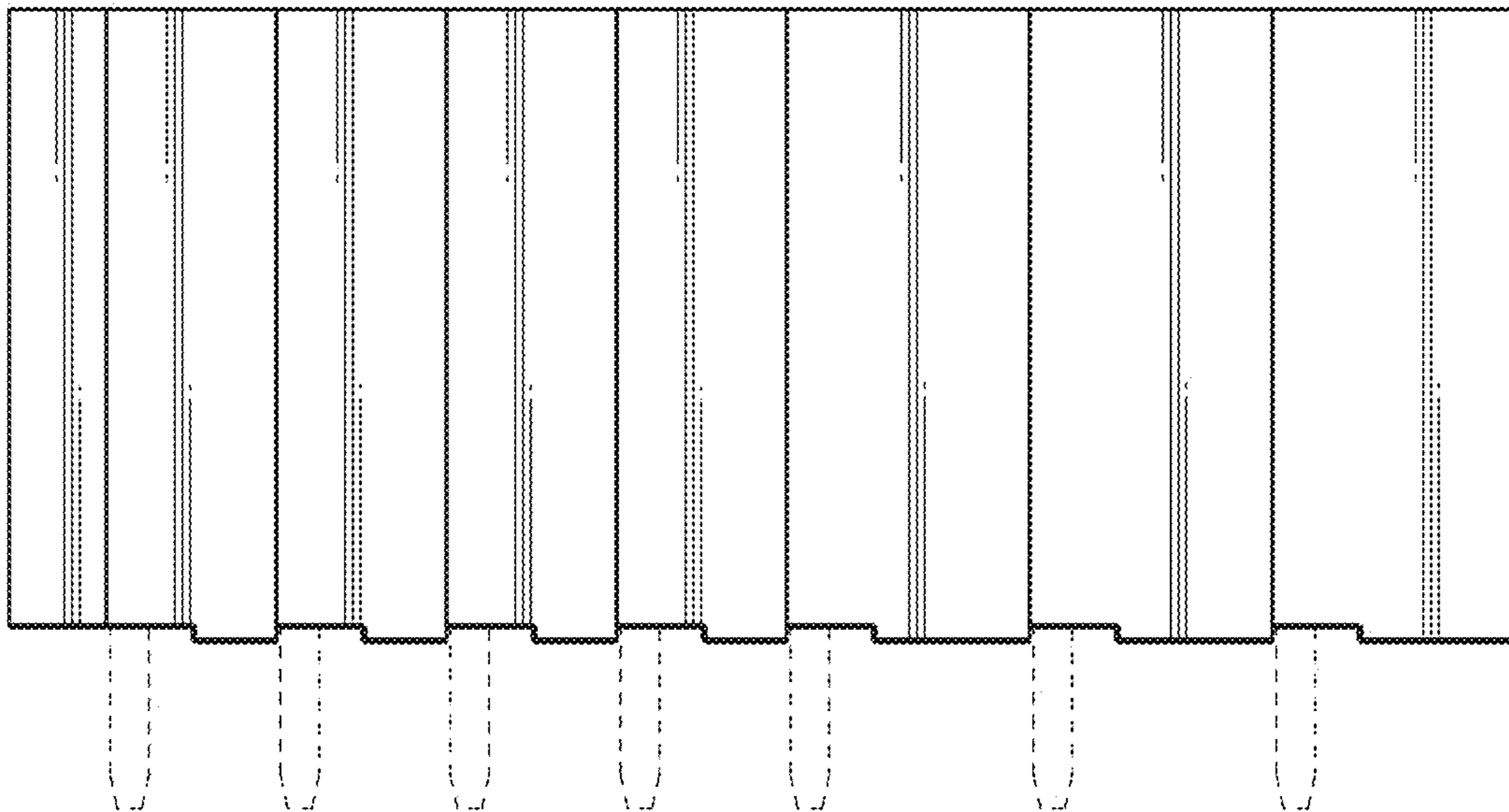


FIG. 3

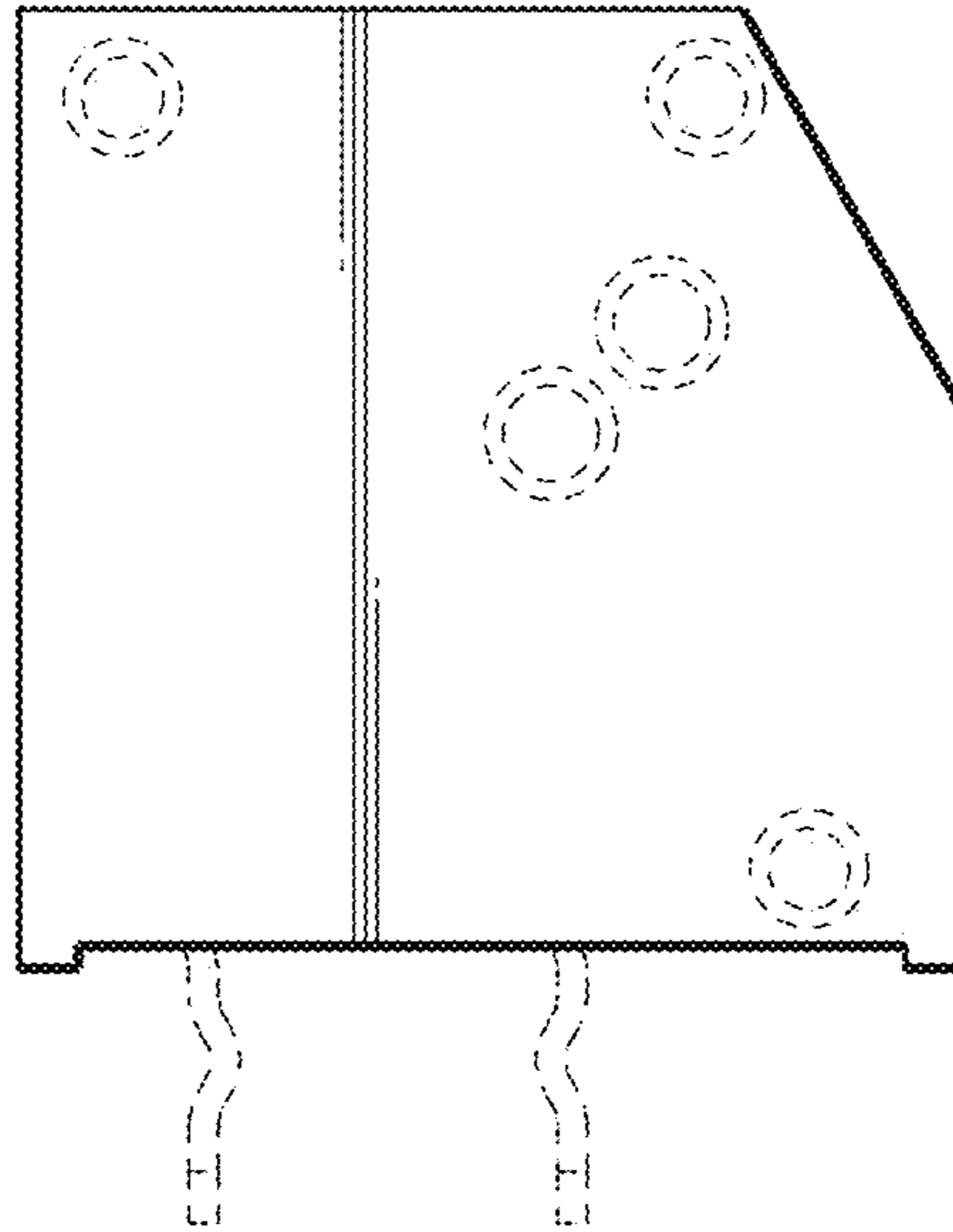


FIG. 4

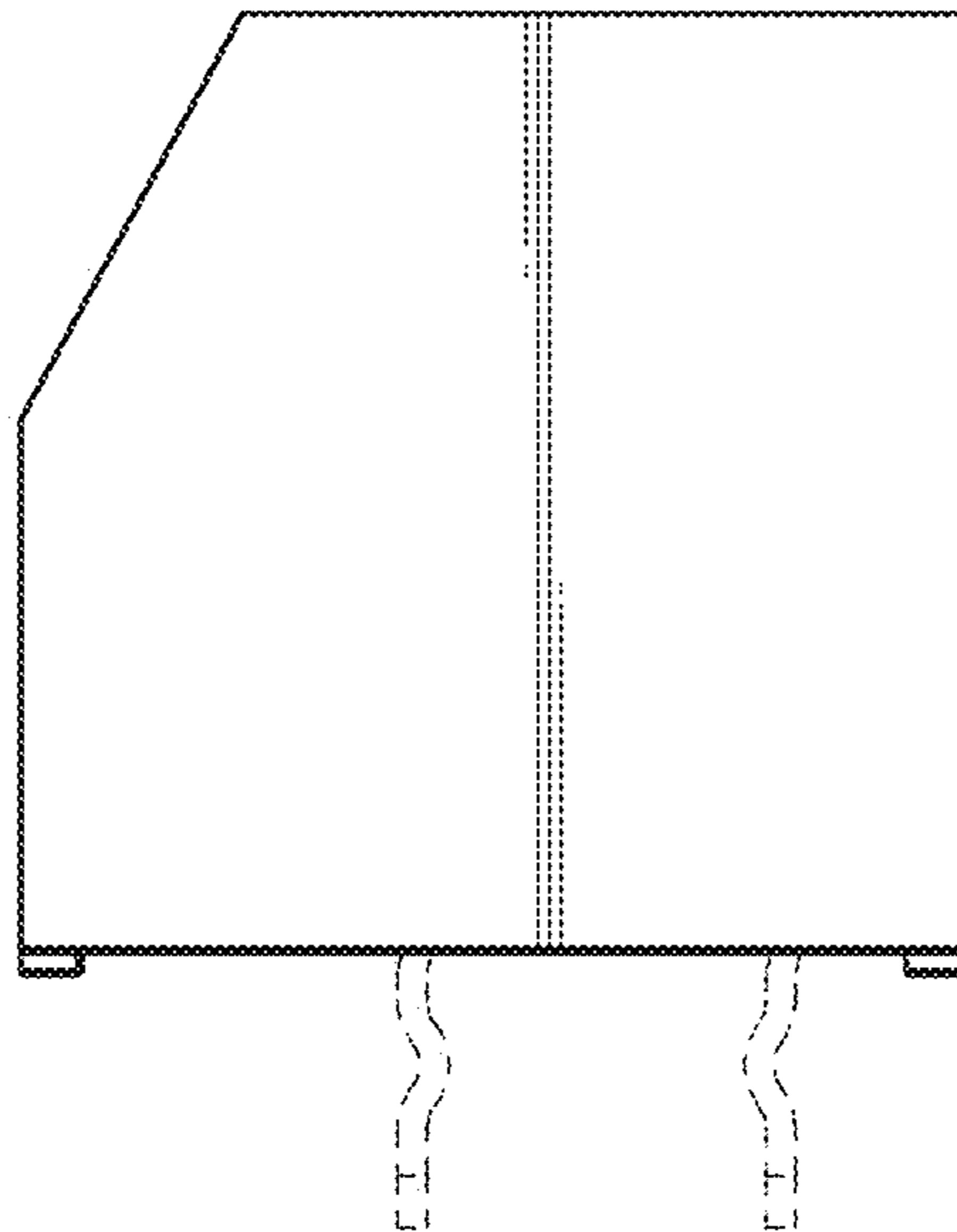


FIG. 5

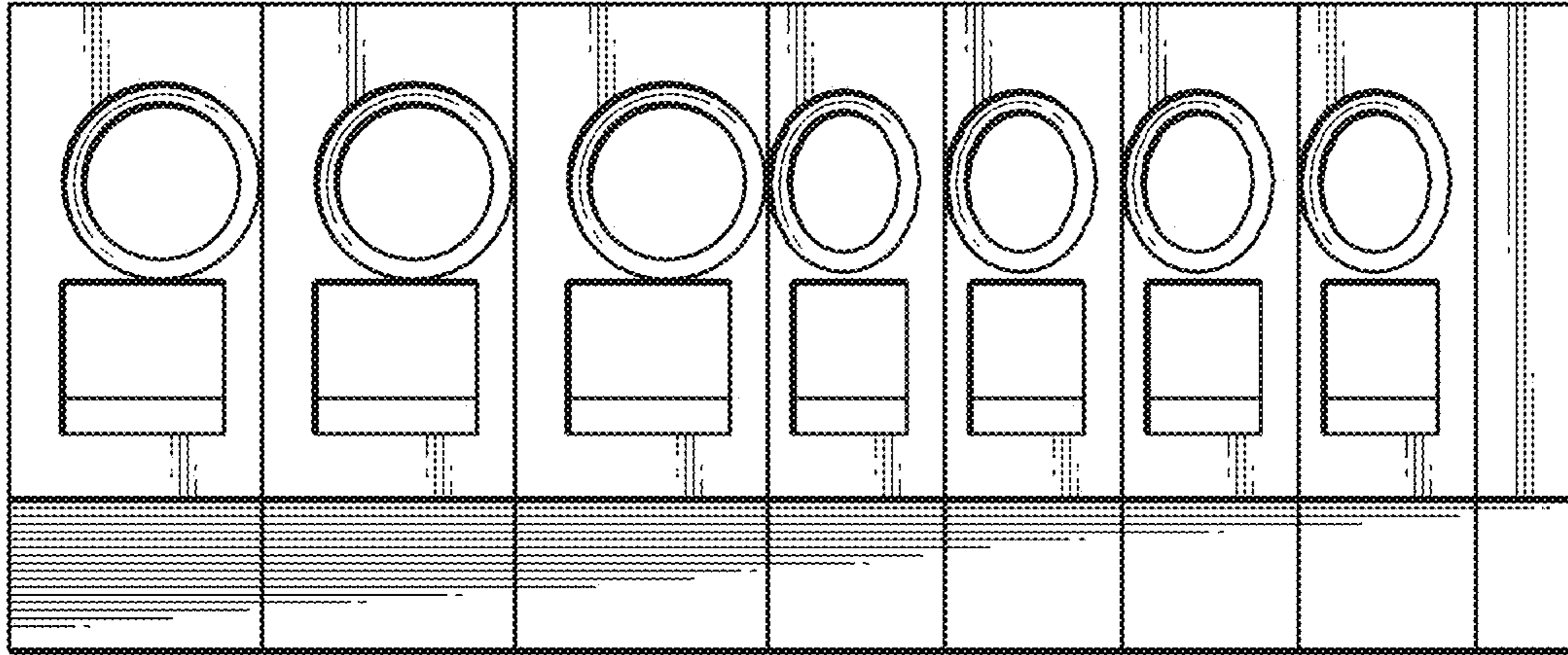


FIG. 6

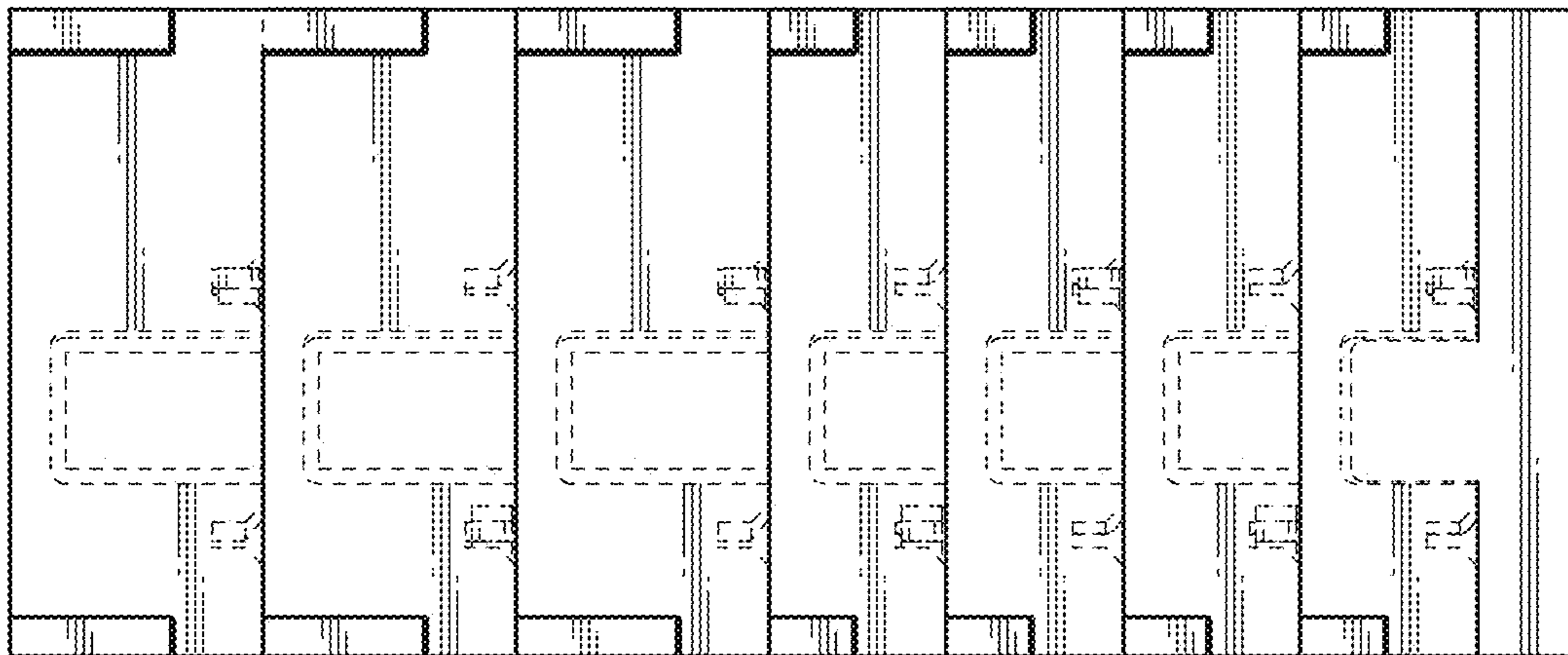


FIG. 7

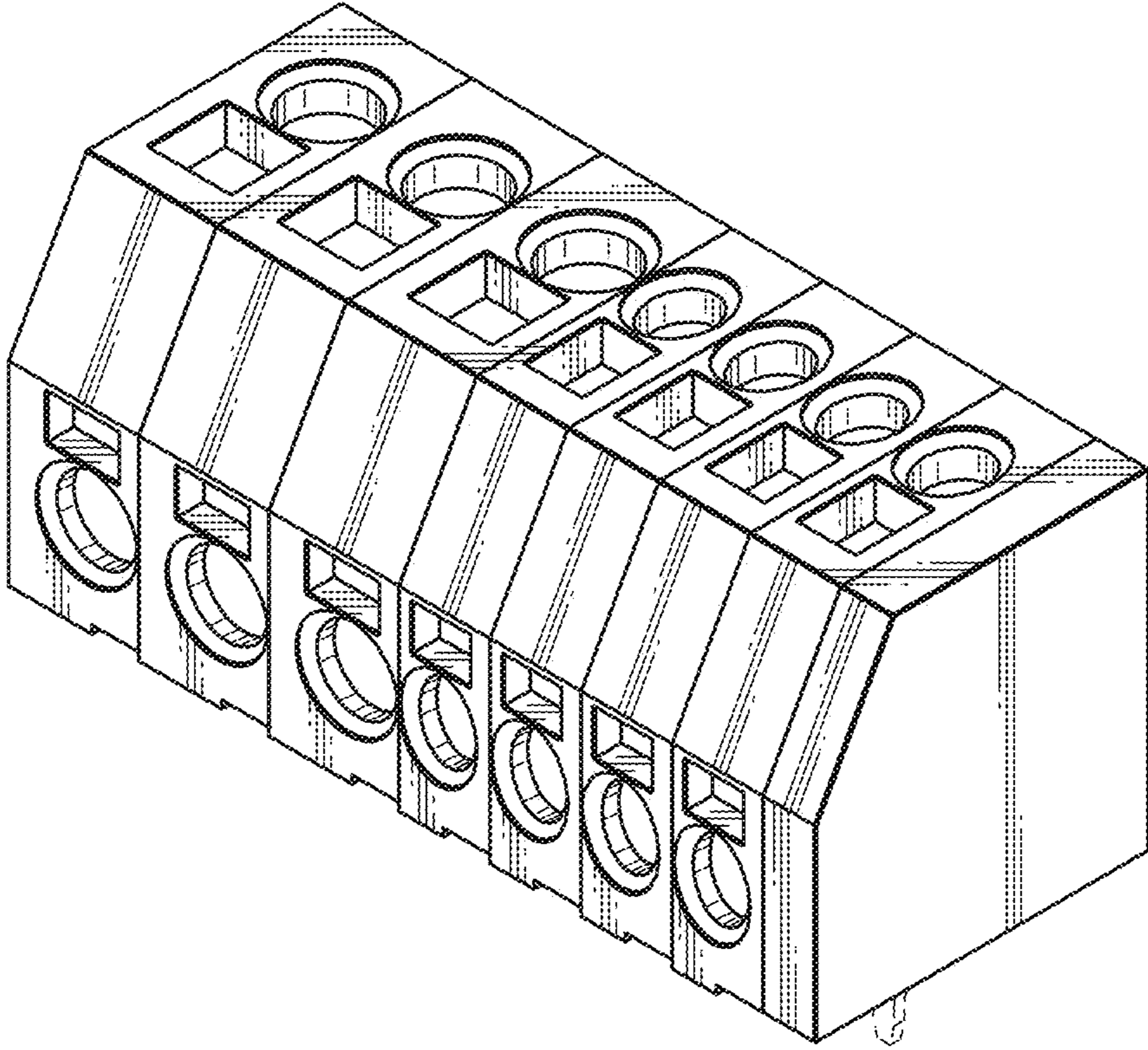


FIG. 8