



US00D915290S

(12) **United States Design Patent**
Ghasabi

(10) **Patent No.:** **US D915,290 S**

(45) **Date of Patent:** **** Apr. 6, 2021**

(54) **CONNECTOR FOR A LIGHT FIXTURE SYSTEM**

(71) Applicant: **Luminiz Inc.**, Etobicoke (CA)

(72) Inventor: **Amir Ghasabi**, Etobicoke (CA)

(73) Assignee: **Luminiz Inc.**, Etobicoke (CA)

(**) Term: **15 Years**

(21) Appl. No.: **29/702,695**

(22) Filed: **Aug. 21, 2019**

Related U.S. Application Data

(62) Division of application No. 29/650,879, filed on Jun. 11, 2018, now Pat. No. Des. 875,997.

(30) **Foreign Application Priority Data**

Mar. 26, 2018 (CA) CA 180537

(51) **LOC (13) Cl.** **13-03**

(52) **U.S. Cl.**
USPC **D13/146**

(58) **Field of Classification Search**
USPC D13/107, 110, 120, 133, 134, 146-149,
D13/152, 153, 154-157, 184, 199
CPC H01R 13/514; H01R 13/518; H01R
13/6587; H01R 13/6586; F21V 23/002
See application file for complete search history.

(56) **References Cited**

U.S. PATENT DOCUMENTS

D188,419 S * 7/1960 Danesi D13/146
D205,302 S 7/1966 Wince
4,674,015 A 6/1987 Smith
D460,049 S 7/2002 McCoy
D472,523 S * 4/2003 Hansen D13/146
D487,724 S 3/2004 Hsiao
D493,245 S 7/2004 Delson

7,192,160 B2 3/2007 Reiff, Jr. et al.
D556,359 S 11/2007 Cunius
D569,027 S 5/2008 Hakamada
7,513,640 B2 4/2009 Hendrikus
D604,870 S 11/2009 Hong
D605,338 S 12/2009 Salman
7,810,955 B2 10/2010 Stimac et al.
D627,730 S 11/2010 Huang et al.
D627,731 S 11/2010 Huang et al.
D629,139 S 12/2010 Cai
D639,744 S * 6/2011 Smith D13/146
(Continued)

OTHER PUBLICATIONS

Home Depot.com. "https://www.homedepot.com/p/ETi-White-Linking-Cord-Connector-for-LED-Linkable-Shoplights-and-Strip-Light-Fixtures-91000010/300959787" Date of oldest review: Jul. 2017 (Year: 2017).*

(Continued)

Primary Examiner — Jennifer O King

(74) *Attorney, Agent, or Firm* — Bereskin & Parr LLP/S.E.N.C.R.L., s.r.l.; Isis E. Caulder; Ahmed Elmallah

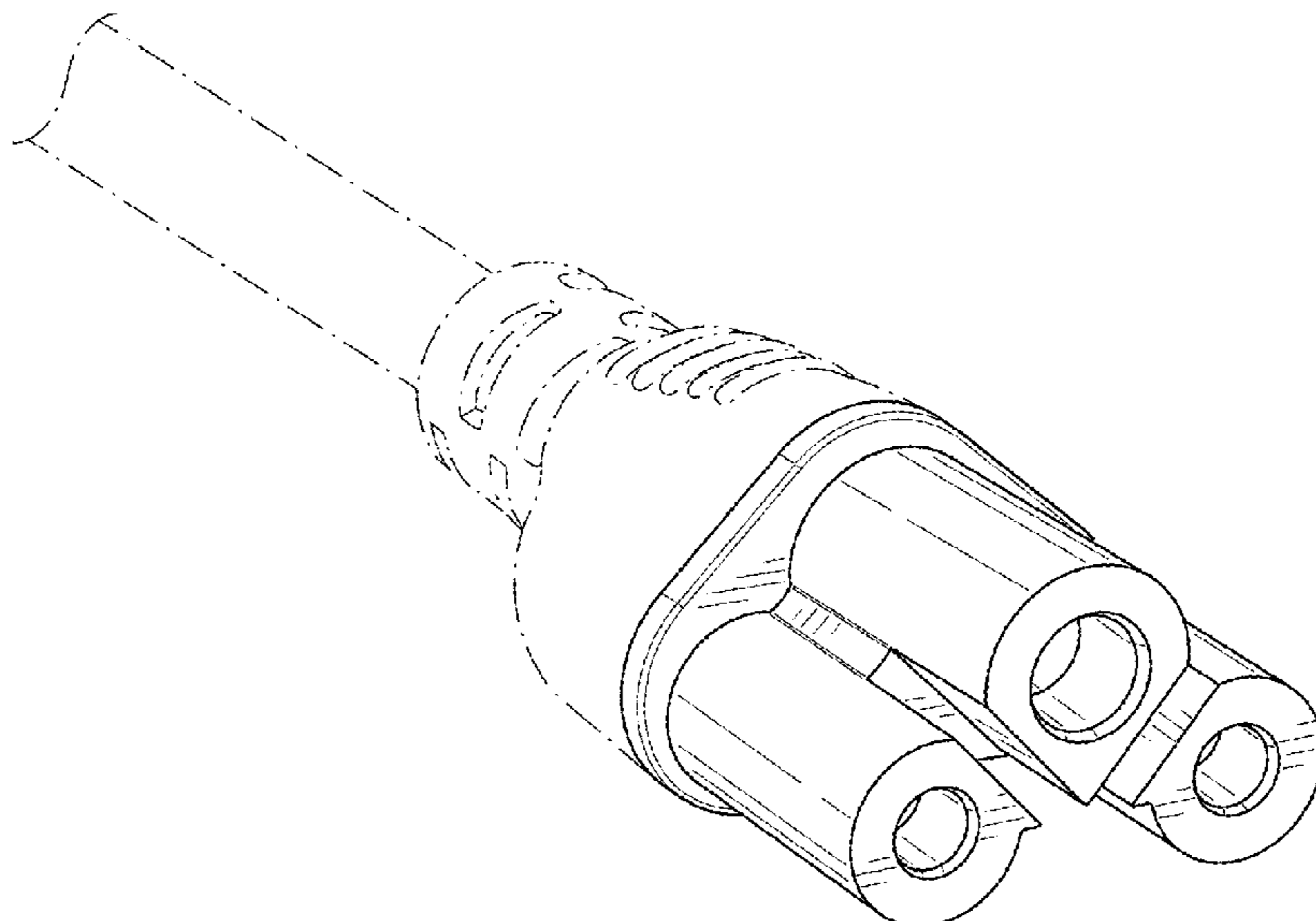
(57) **CLAIM**

The ornamental design for a connector for a light fixture system, as shown and described.

DESCRIPTION

FIG. 1 shows a top perspective view of a connector for a light fixture system of my design;
FIG. 2 shows a bottom perspective view thereof;
FIG. 3 shows a left side elevation view thereof;
FIG. 4 shows a front side elevation view thereof;
FIG. 5 shows a right side elevation view thereof;
FIG. 6 shows a top plan view of the design thereof; and,
FIG. 7 shows a bottom plan view thereof.
The broken line portions are included to show unclaimed subject matter only and form no part of the claimed design.

1 Claim, 3 Drawing Sheets



(56)

References Cited

U.S. PATENT DOCUMENTS

8,142,047 B2 3/2012 Acampora et al.
 D678,202 S 3/2013 Corona
 D690,452 S 9/2013 Payne
 D691,090 S * 10/2013 Dachs D13/146
 D695,443 S 12/2013 Kaule et al.
 D697,030 S * 1/2014 Ledinger D13/146
 D702,642 S * 4/2014 Dachs, II D13/146
 D703,140 S * 4/2014 Dachs, II D13/146
 D707,181 S 6/2014 Schmidt et al.
 9,004,716 B2 4/2015 Ai
 D729,423 S 5/2015 Noh et al.
 D748,058 S * 1/2016 Corona D13/146
 D764,092 S 8/2016 Cai et al.
 D770,386 S * 11/2016 Corona D13/146
 D770,981 S * 11/2016 Corona D13/146
 D782,095 S 3/2017 Fletcher
 D818,967 S * 5/2018 Rippe D13/156
 D835,586 S * 12/2018 Lambrecht D13/147
 10,352,510 B2 7/2019 Van Winkle

D858,453 S 9/2019 Lang et al.
 D866,846 S 11/2019 Cho et al.
 10,547,145 B2 1/2020 Bowen et al.
 2003/0021110 A1 1/2003 Noh
 2003/0036312 A1 2/2003 Liao
 2004/0152354 A1 * 8/2004 Luther G02B 6/3865
 439/378
 2014/0247585 A1 9/2014 Chien et al.

OTHER PUBLICATIONS

Restriction Requirement and Notice of References Cited dated Jun. 28, 2019 in corresponding Design U.S. Appl. No. 29/650,879.
 Ex parte Quayle Office Action and Notice of References Cited dated Oct. 6, 2020 in U.S. Appl. No. 29/702,685 (5 pages).
 Ex parte Quayle Office Action and Notice of References Cited dated Oct. 2, 2020 in U.S. Appl. No. 29/703,038 (5 pages).
 Ex parte Quale Office Action and Notice of References Cited dated Sep. 18, 2018 in U.S. Appl. No. 29/702,678 (5 pages).

* cited by examiner

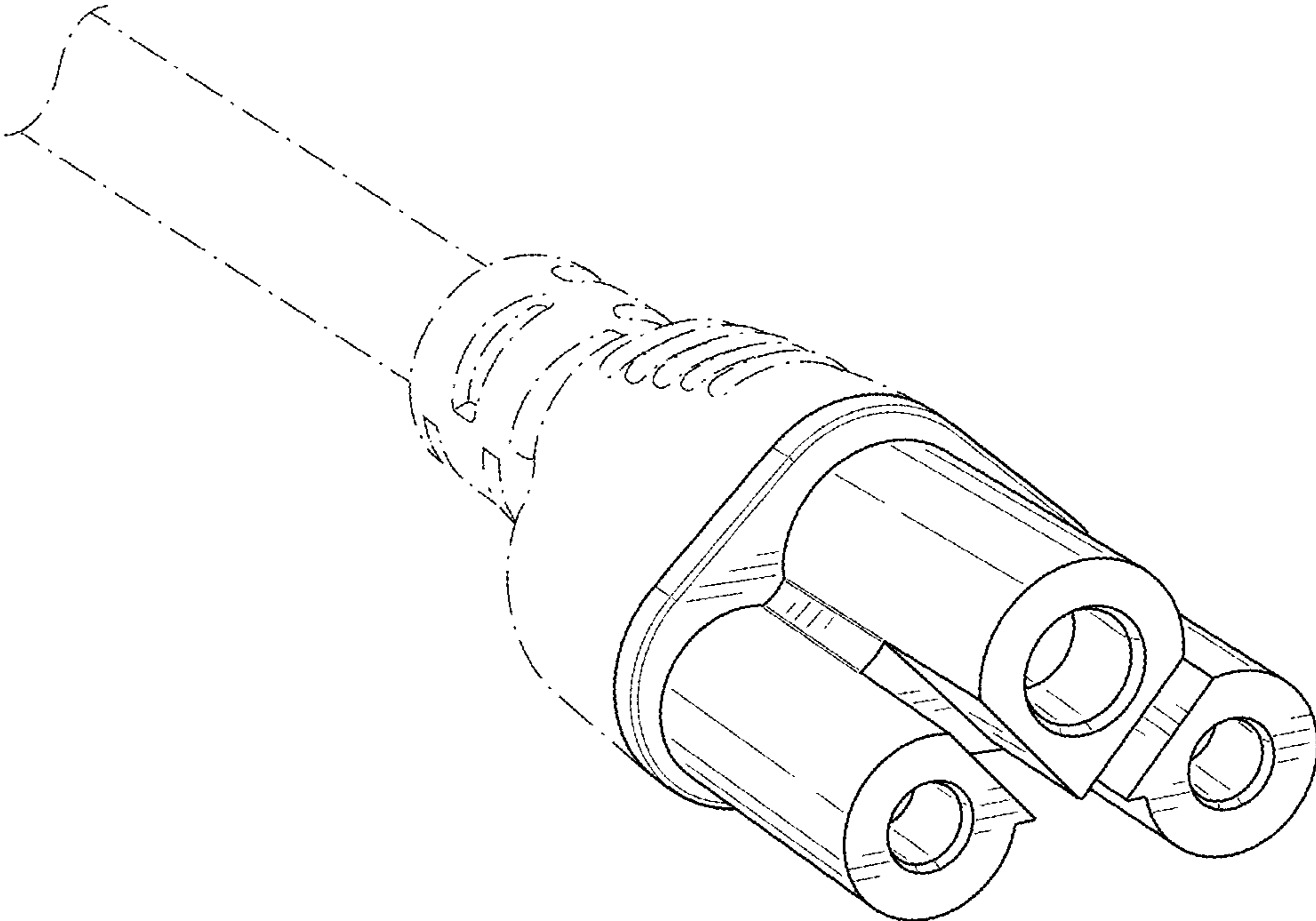


FIG. 1

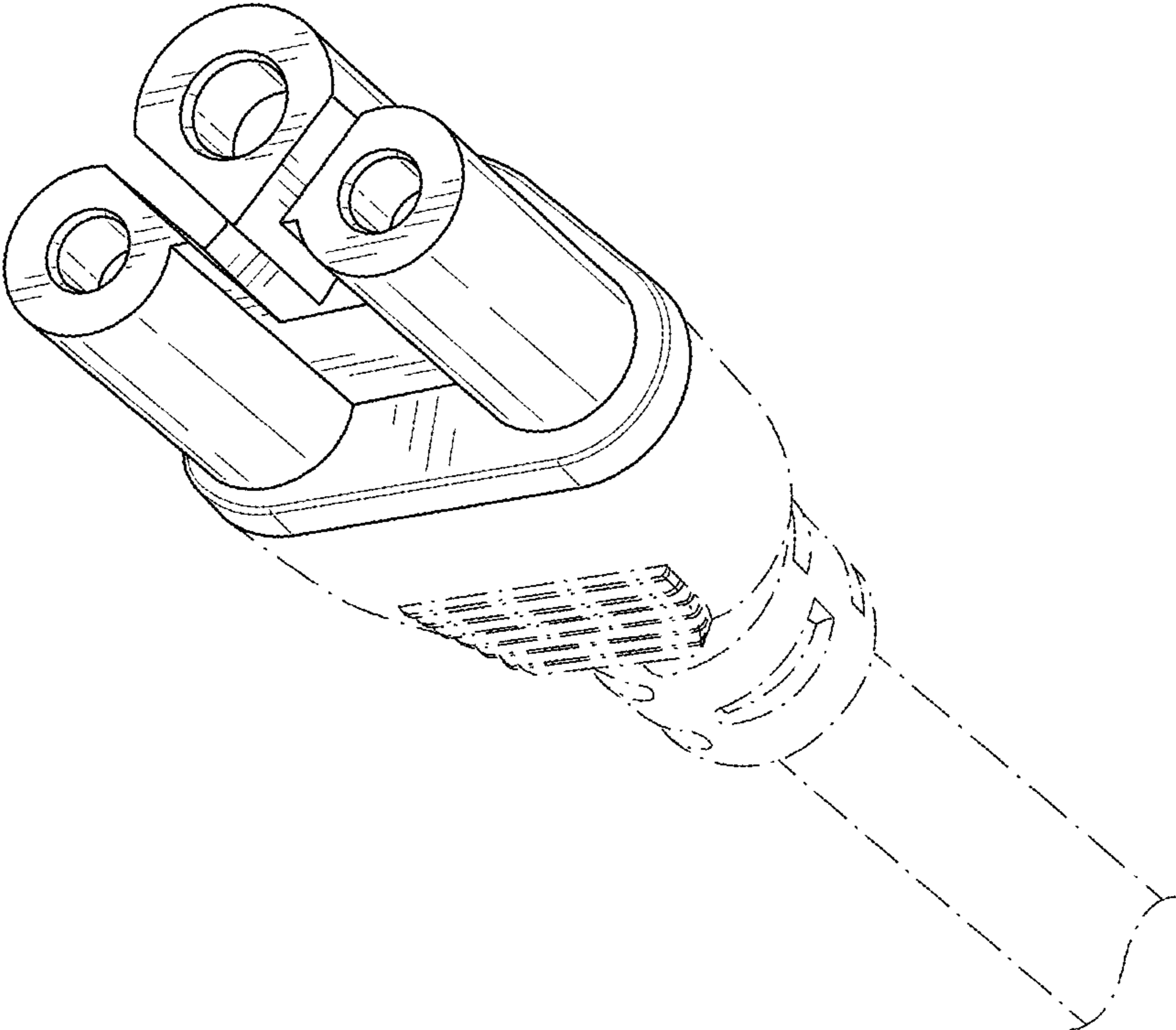


FIG. 2

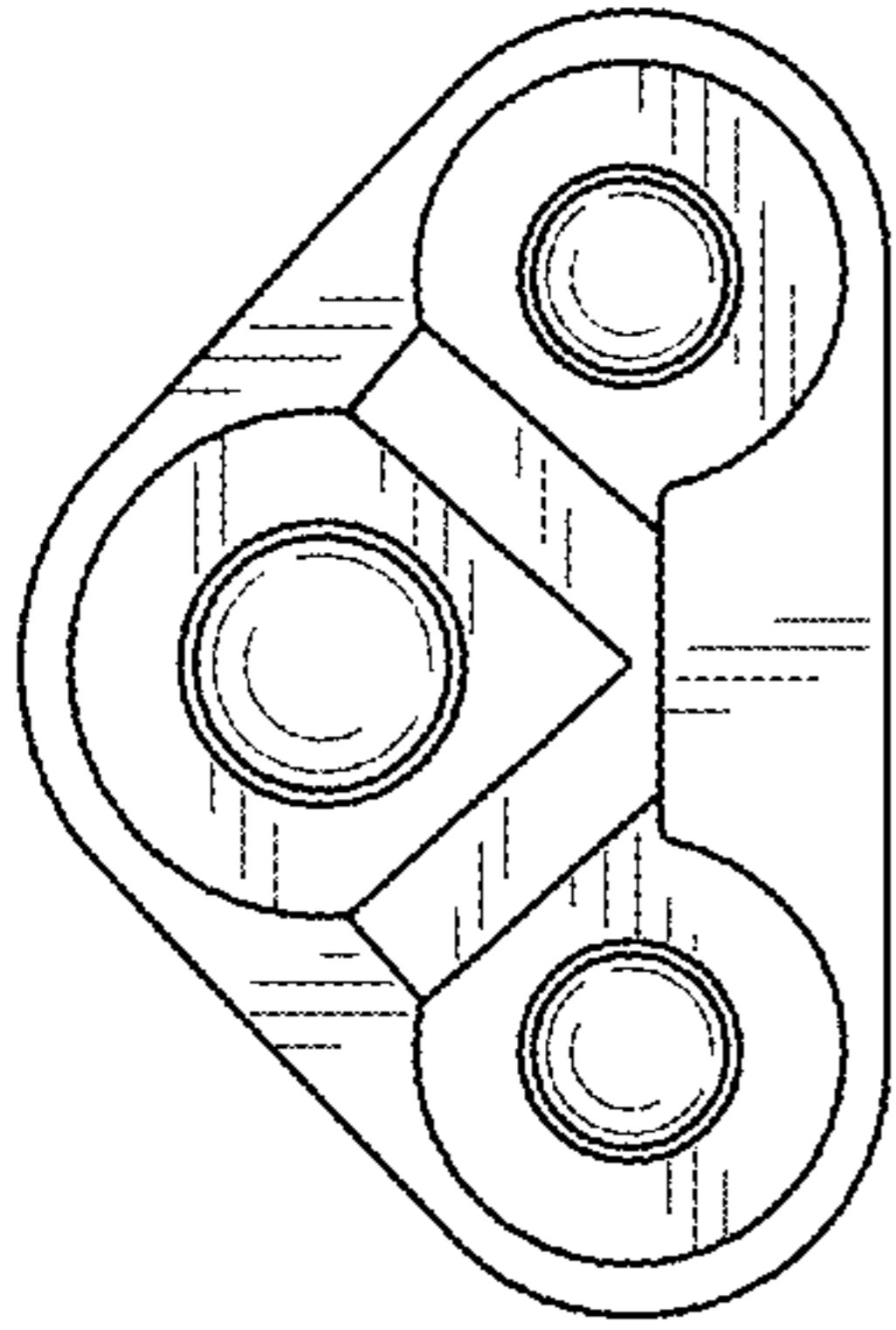


FIG. 4

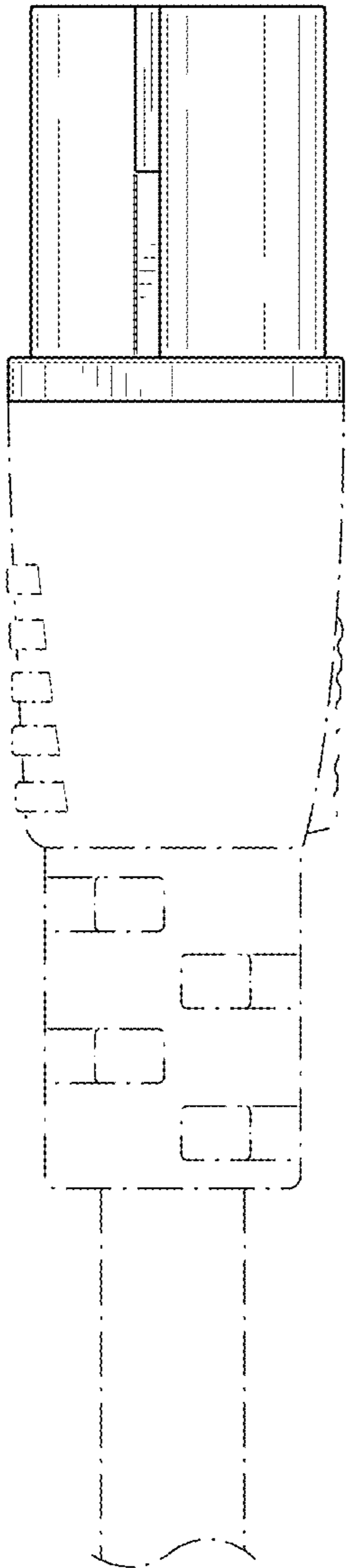


FIG. 3

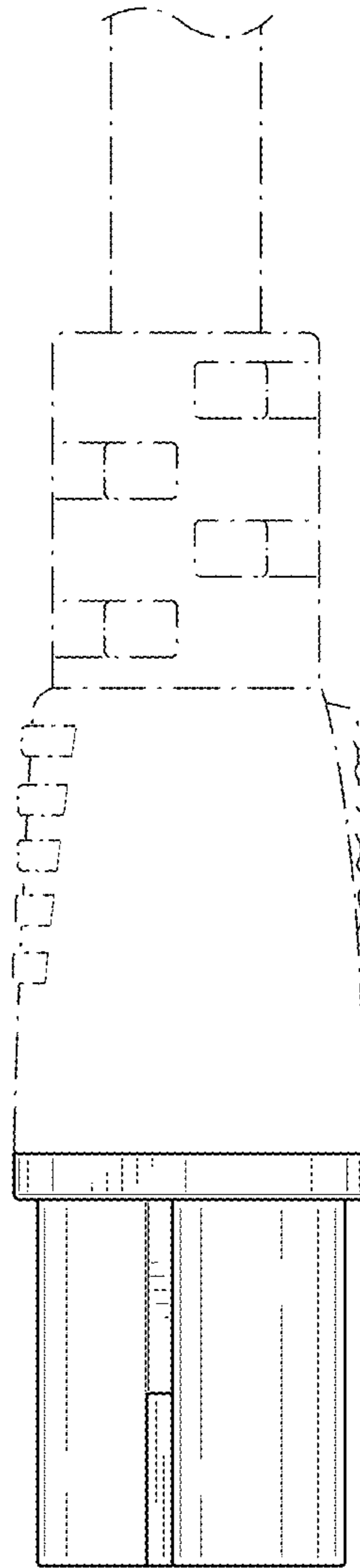


FIG. 5

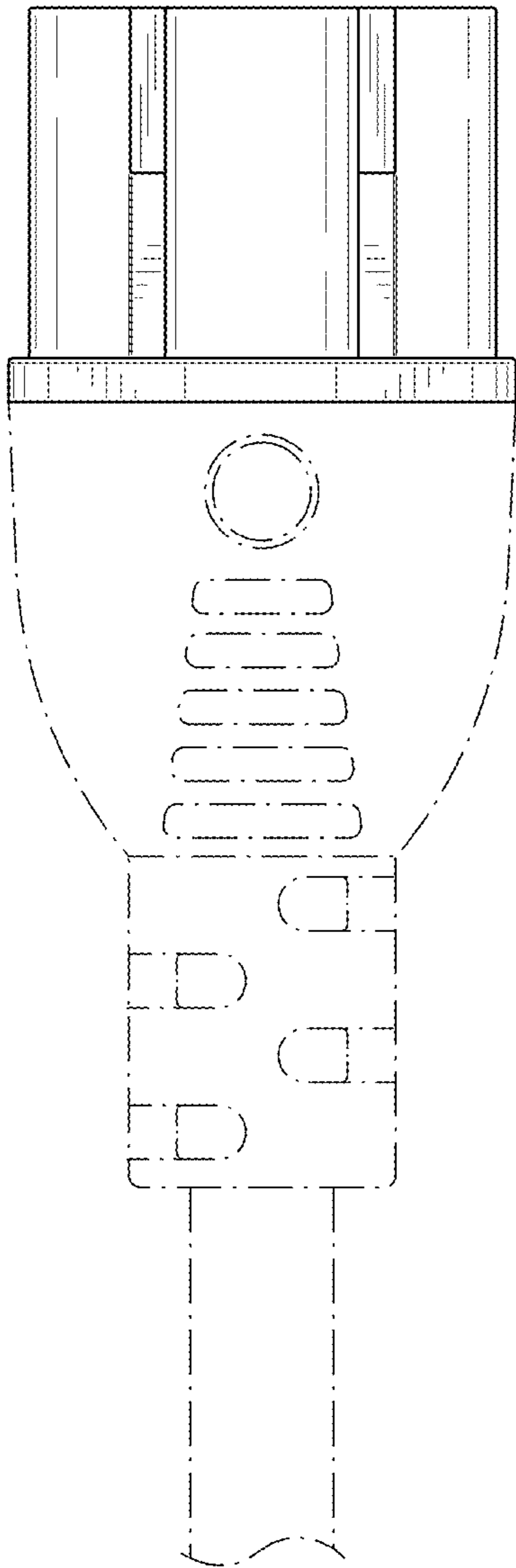


FIG. 6

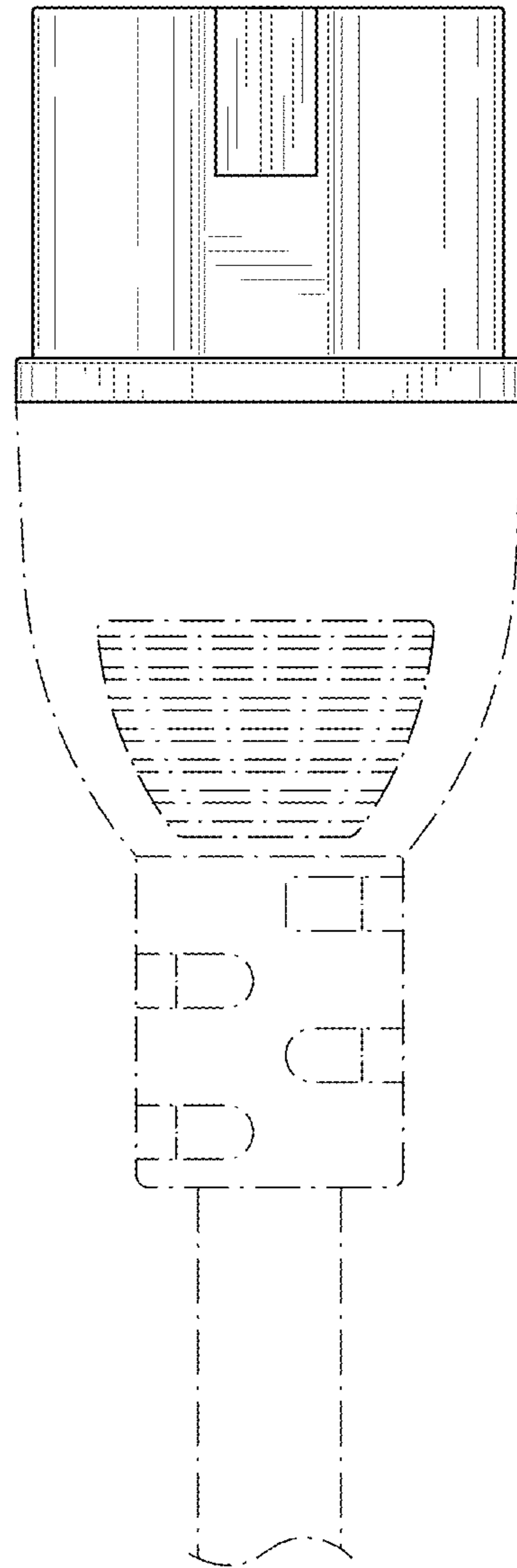


FIG. 7