



US00D915289S

(12) **United States Design Patent**  
**Goodfellow et al.**

(10) **Patent No.:** **US D915,289 S**

(45) **Date of Patent:** **\*\* Apr. 6, 2021**

(54) **CABLE CHARGING CLIP**

(71) Applicant: **Juggernaut Defense, LLC**, Scottsdale, AZ (US)

(72) Inventors: **Andrew C. Goodfellow**, Scottsdale, AZ (US); **Thomas Muday**, Scottsdale, AZ (US)

(73) Assignee: **Juggernaut Defense, LLC**, Scottsdale, AZ (US)

(\*\*) Term: **15 Years**

(21) Appl. No.: **29/681,240**

(22) Filed: **Feb. 22, 2019**

(51) **LOC (13) Cl.** ..... **13-03**

(52) **U.S. Cl.**  
USPC ..... **D13/146**

(58) **Field of Classification Search**  
USPC ..... D13/120, 133, 146, 147, 149, 153, 154, D13/155, 157, 158, 173, 199; D14/356, D14/432, 433, 435  
CPC ..... H01R 24/00; H01R 12/70; H01R 13/62  
See application file for complete search history.

(56) **References Cited**

**U.S. PATENT DOCUMENTS**

5,876,241	A *	3/1999	Frantz	.....	H01M 2/1044	429/100
D413,864	S *	9/1999	Kovacik	.....	D13/154	
D449,276	S *	10/2001	Hwang	.....	D13/147	
6,476,318	B1 *	11/2002	Lee	.....	H01R 13/62905	174/59
D503,152	S *	3/2005	Suckle	.....	D13/154	
D516,036	S *	2/2006	Nishio	.....	D13/147	
7,226,306	B1 *	6/2007	Chen	.....	H01R 13/6335	439/157

D629,751	S *	12/2010	Byrne	.....	D13/146
D708,143	S *	7/2014	Starke	.....	D13/147
D777,109	S *	1/2017	Wu	.....	D13/146
D826,866	S *	8/2018	Fawcett	.....	D13/153
D859,316	S *	9/2019	Zhang	.....	D13/146
D882,523	S *	4/2020	Li	.....	D13/147

**OTHER PUBLICATIONS**

“Juggernaut Impact Cable”. Found online Jul. 23, 2020 at shop.juggernautcase.com. Reference dated Jul. 23, 2020. Retrieved from <https://shop.juggernautcase.com/products/impct-cable-galaxy-59-usb-a.html>. (Year: 2020).\*

(Continued)

*Primary Examiner* — Kendra Leslie Hamilton

*Assistant Examiner* — Amanda Christensen

(74) *Attorney, Agent, or Firm* — Polsinelli PC

(57) **CLAIM**

The ornamental design for a cable charging clip, as shown and described.

**DESCRIPTION**

FIG. 1 is a front, top perspective view of a cable charging clip, showing our new design.

FIG. 2 is a front elevation view thereof.

FIG. 3 is a rear elevation view thereof.

FIG. 4 is a left side elevation view thereof.

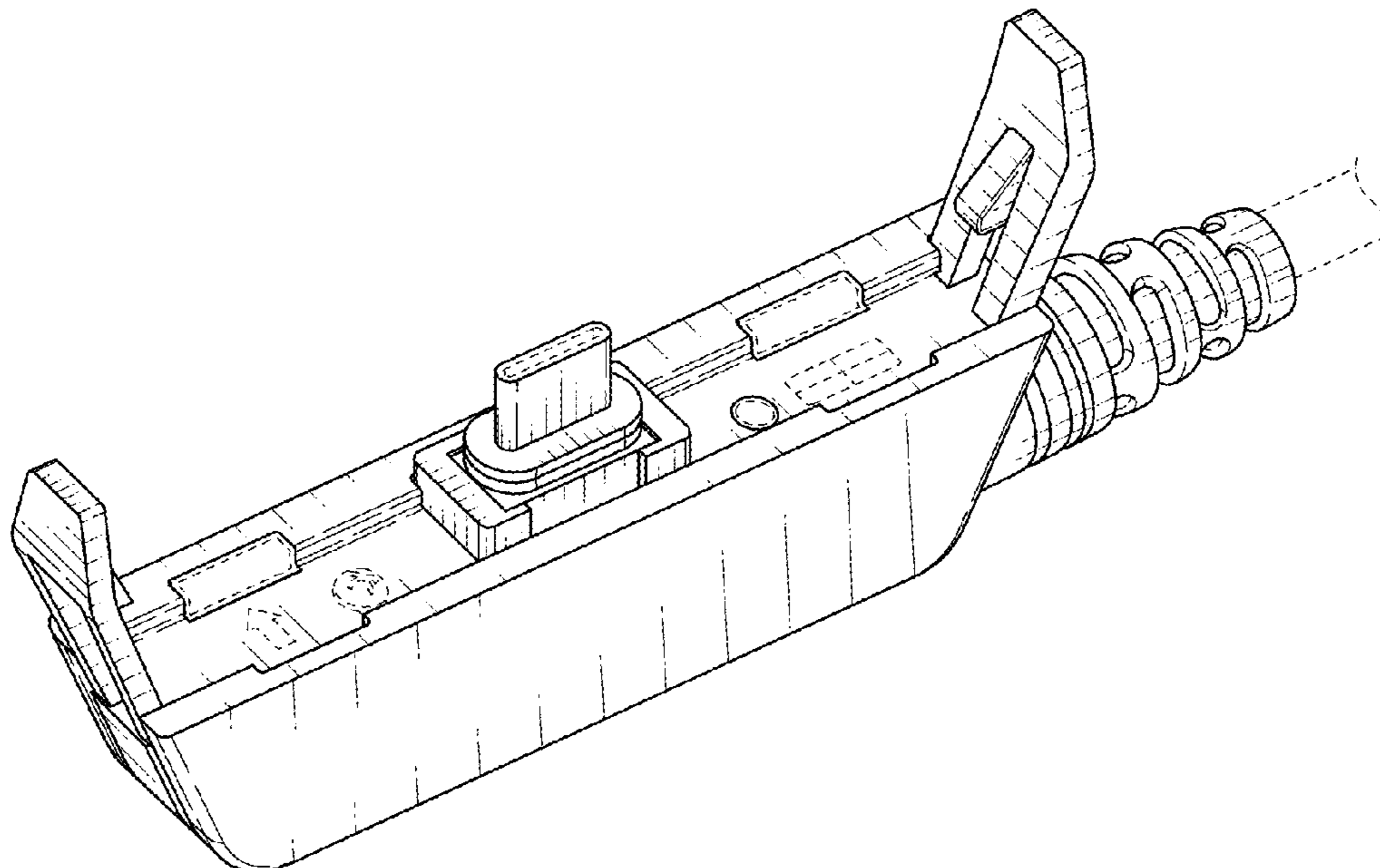
FIG. 5 is a right side elevation view thereof.

FIG. 6 is a top plan view thereof; and,

FIG. 7 is a bottom plan view thereof.

The equal-length broken lines of the cable charging clip itself depict unclaimed portions of the clip that form no part of the claimed design. The equal-length broken lines showing a cord extending from the cable charging clip depict environmental structure only and form no part of the claimed design.

**1 Claim, 6 Drawing Sheets**



(56)

**References Cited**

OTHER PUBLICATIONS

“Ars Technica-Phone Case”. Found online Jul. 23, 2020 at arstechnica.com. Reference dated May 21, 2020. Retrieved from <https://arstechnica.com/gadgets/2020/05/the-galaxy-s20-tactical-edition-is-a-shock-and-awe-campaign-against-reality/>. (Year: 2020).\*

“SOFIC Showcase-Juggernaut Defense”. Found online Jul. 20, 2020 at youtube.com. Reference dated Jul. 1, 2016. Retrieved from [https://www.youtube.com/watch?v=RRaDpXiFHTw&feature=emb\\_logo](https://www.youtube.com/watch?v=RRaDpXiFHTw&feature=emb_logo). (Year: 2016).\*

“KingAcc USB Charging Cable Cradle Dock”. Found online Jul. 16, 2020 at amazon.com. Reference dated Dec. 16, 2016. Retrieved from [https://www.amazon.com/dp/B01N1WCTYU/ref=sspa\\_dk\\_detail\\_2](https://www.amazon.com/dp/B01N1WCTYU/ref=sspa_dk_detail_2). (Year: 2016).\*

\* cited by examiner

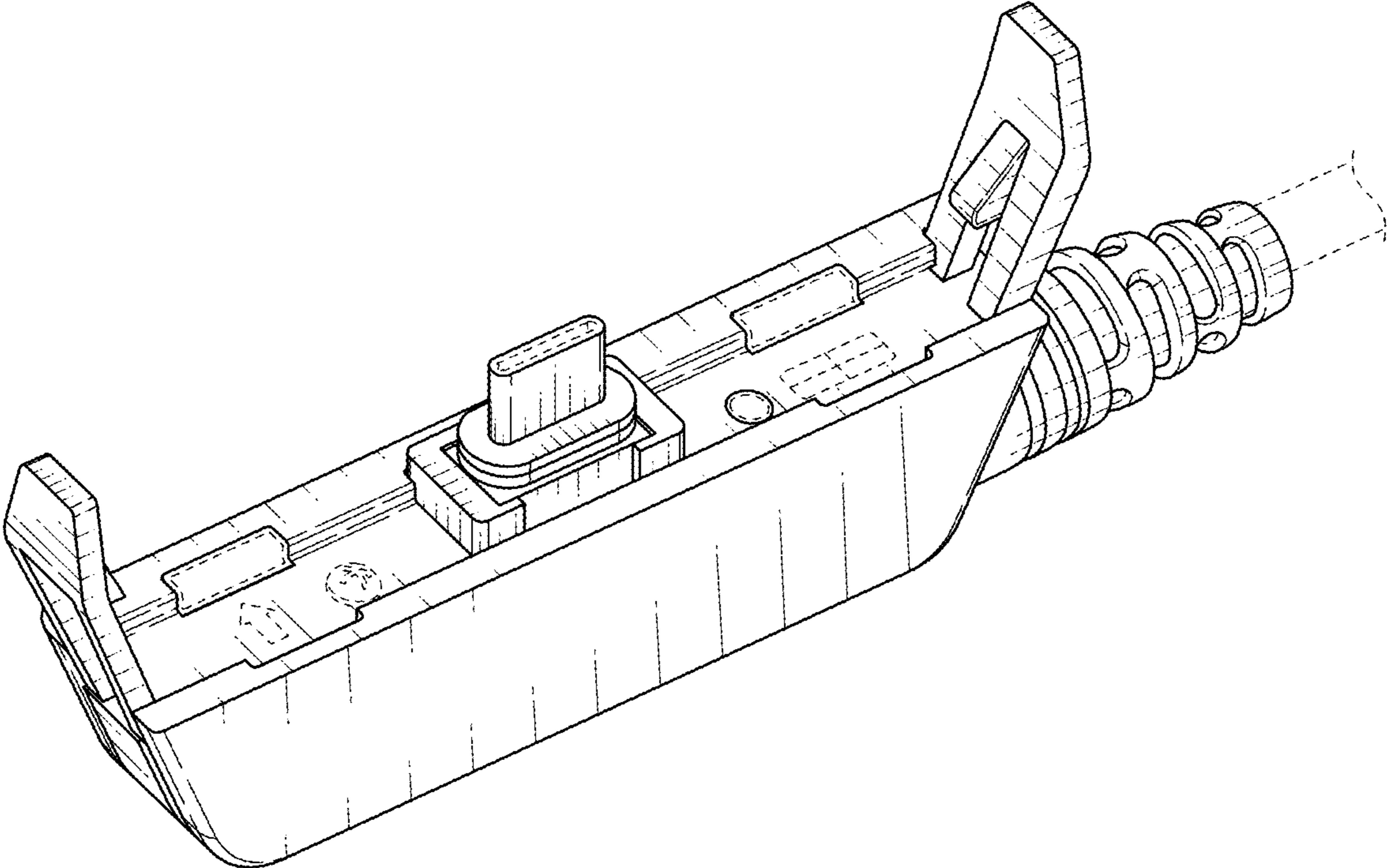


FIG. 1

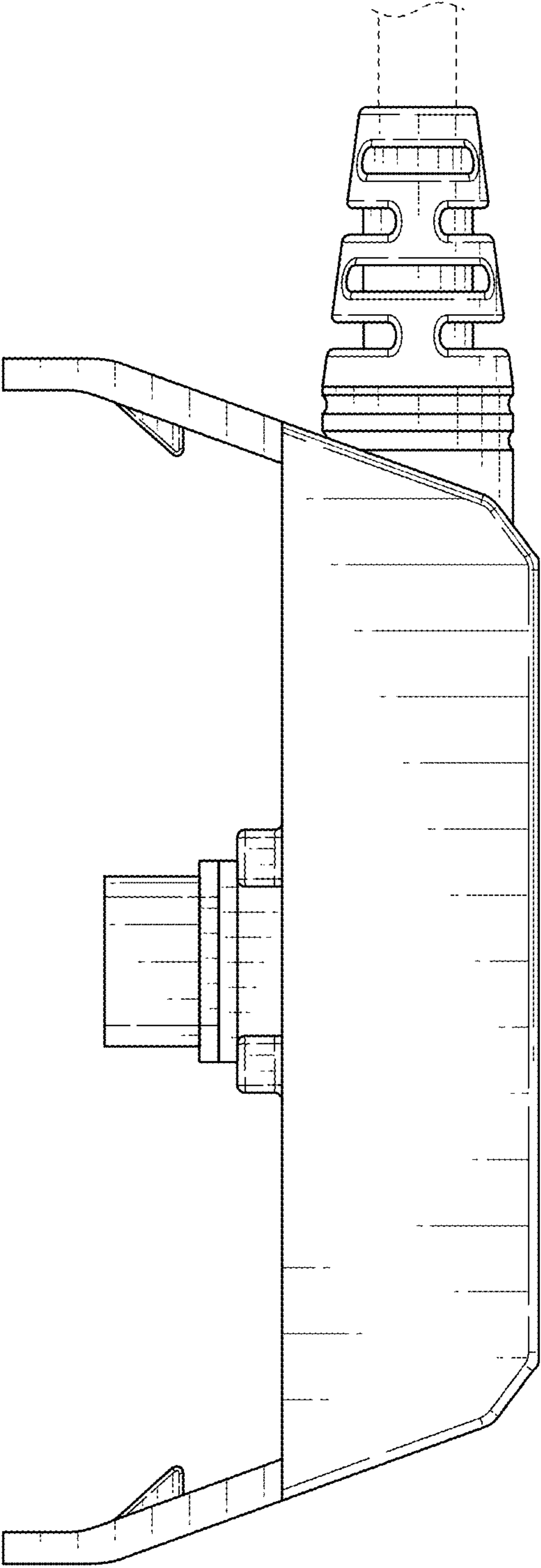


FIG. 2

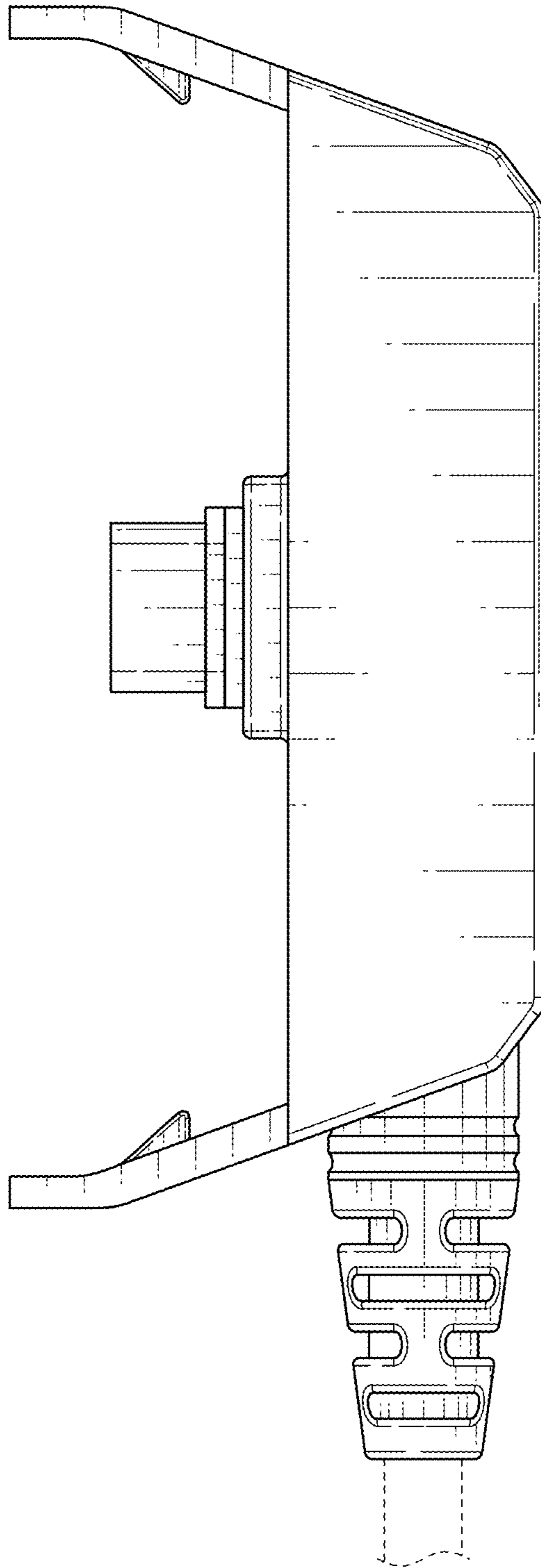


FIG. 3

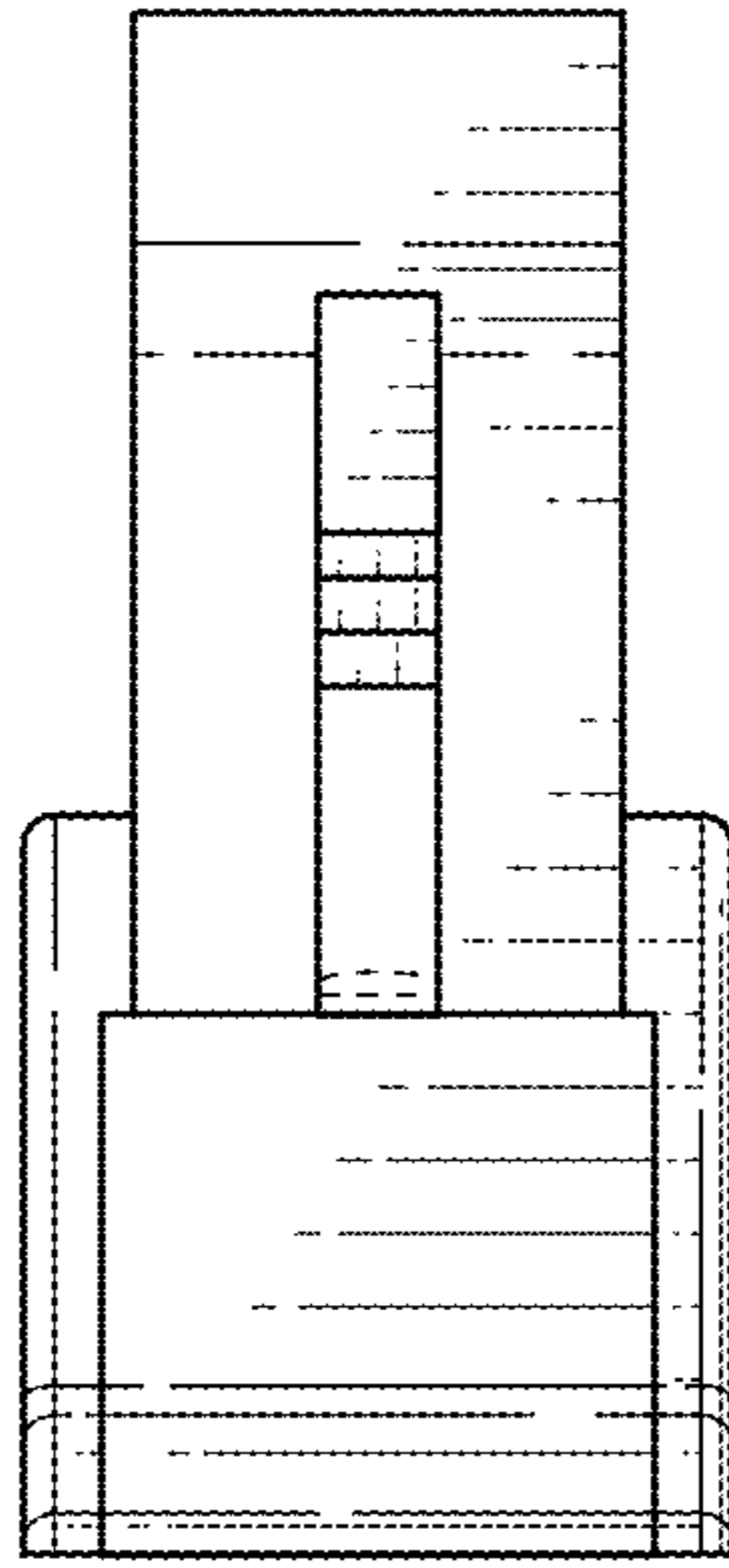


FIG. 4

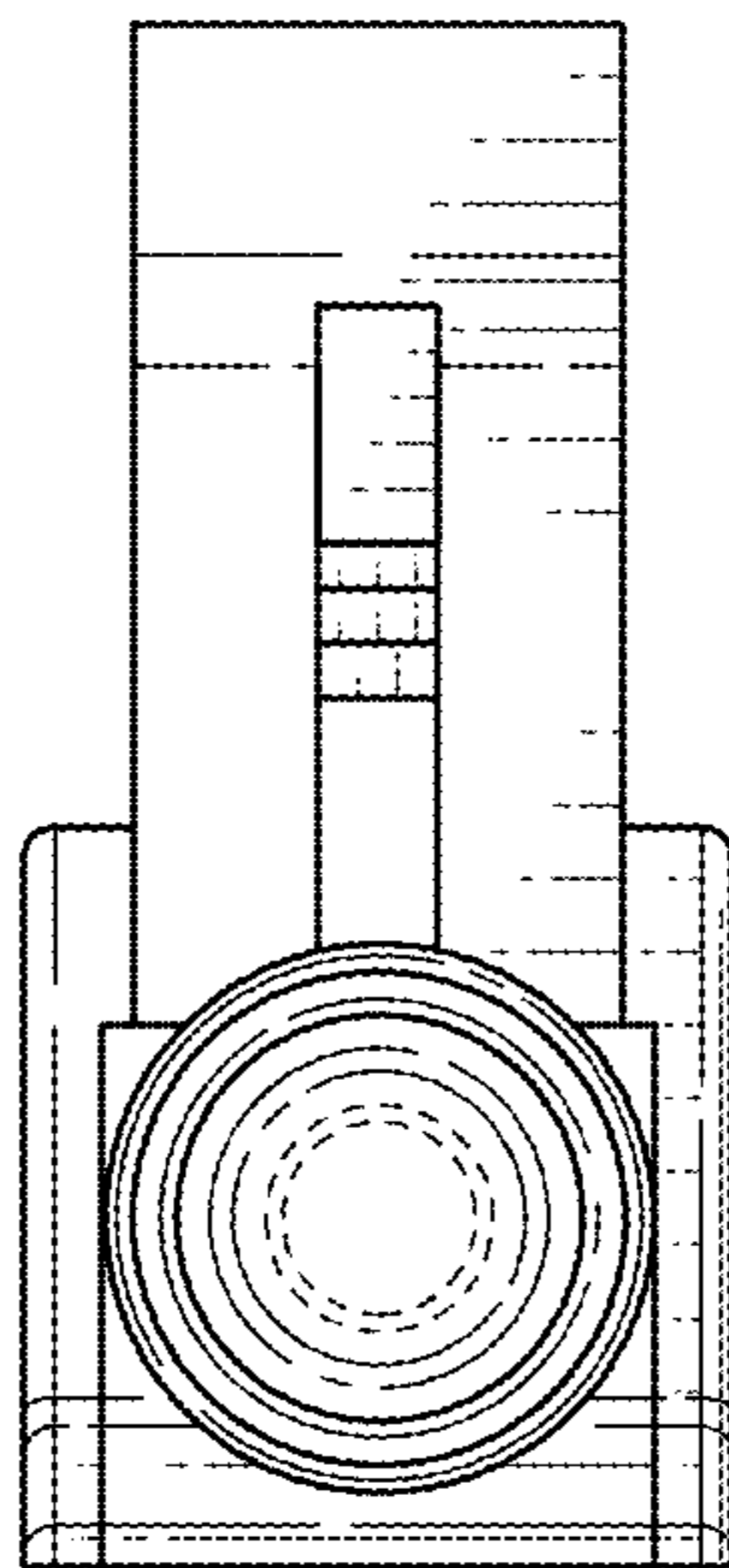


FIG. 5

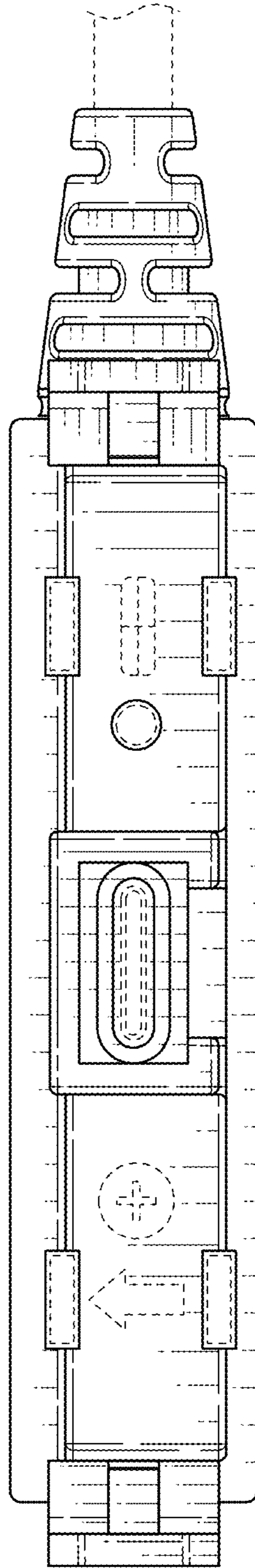


FIG. 6

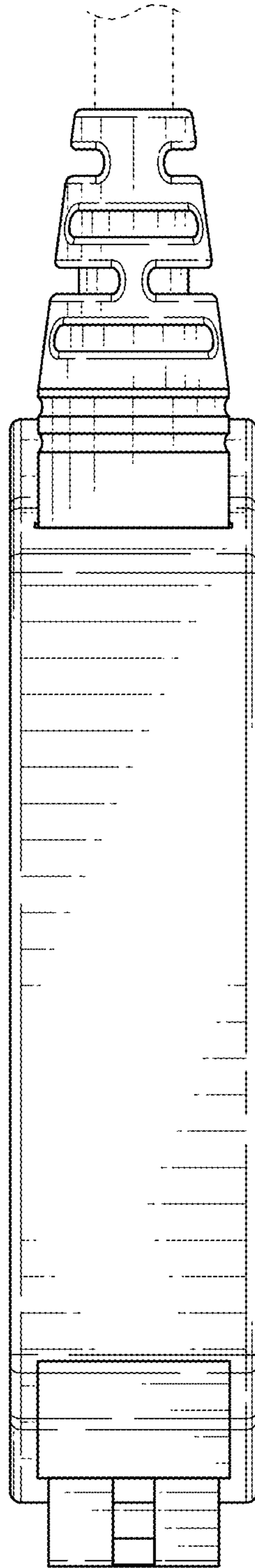


FIG. 7