



US00D915285S

(12) **United States Design Patent**
Oosaka

(10) **Patent No.:** **US D915,285 S**

(45) **Date of Patent:** **** Apr. 6, 2021**

(54) **CONNECTOR**

(71) Applicant: **Japan Aviation Electronics Industry, Limited**, Tokyo (JP)

(72) Inventor: **Junji Oosaka**, Tokyo (JP)

(73) Assignee: **JAPAN AVIATION ELECTRONICS INDUSTRY, LIMITED**, Tokyo (JP)

(**) Term: **15 Years**

(21) Appl. No.: **29/692,375**

(22) Filed: **May 24, 2019**

(30) **Foreign Application Priority Data**

Dec. 4, 2018 (JP) 2018-026340

(51) **LOC (13) Cl.** **13-03**

(52) **U.S. Cl.**
USPC **D13/133**

(58) **Field of Classification Search**
USPC D13/110, 120, 123, 133, 154, 118, 146,
D13/147, 149, 153, 178, 184, 199
CPC H01R 4/183; H01R 4/184; H01R 4/185;
H01R 13/6471; H01R 13/6585
See application file for complete search history.

(56) **References Cited**

U.S. PATENT DOCUMENTS

- D380,196 S * 6/1997 Aramaki D13/147
- D618,625 S * 6/2010 Nagata D13/147
- D640,985 S * 7/2011 Wang D13/154
- D653,212 S * 1/2012 Yuan D13/133
- D702,638 S * 4/2014 Takamoto D13/133
- D709,035 S * 7/2014 Yokoyama D13/147

- D761,206 S * 7/2016 Chen D13/146
- D769,197 S * 10/2016 Chen D13/154
- D867,301 S * 11/2019 Saitou D13/147
- D870,669 S * 12/2019 Katagiyama D13/133
- 2013/0225010 A1* 8/2013 Naito H01R 24/62
439/676
- 2017/0179634 A1* 6/2017 Du H01R 13/6581
- 2017/0373408 A1* 12/2017 Cheng H01R 13/62

* cited by examiner

Primary Examiner — Jennifer O King

(74) *Attorney, Agent, or Firm* — Manabu Kanesaka

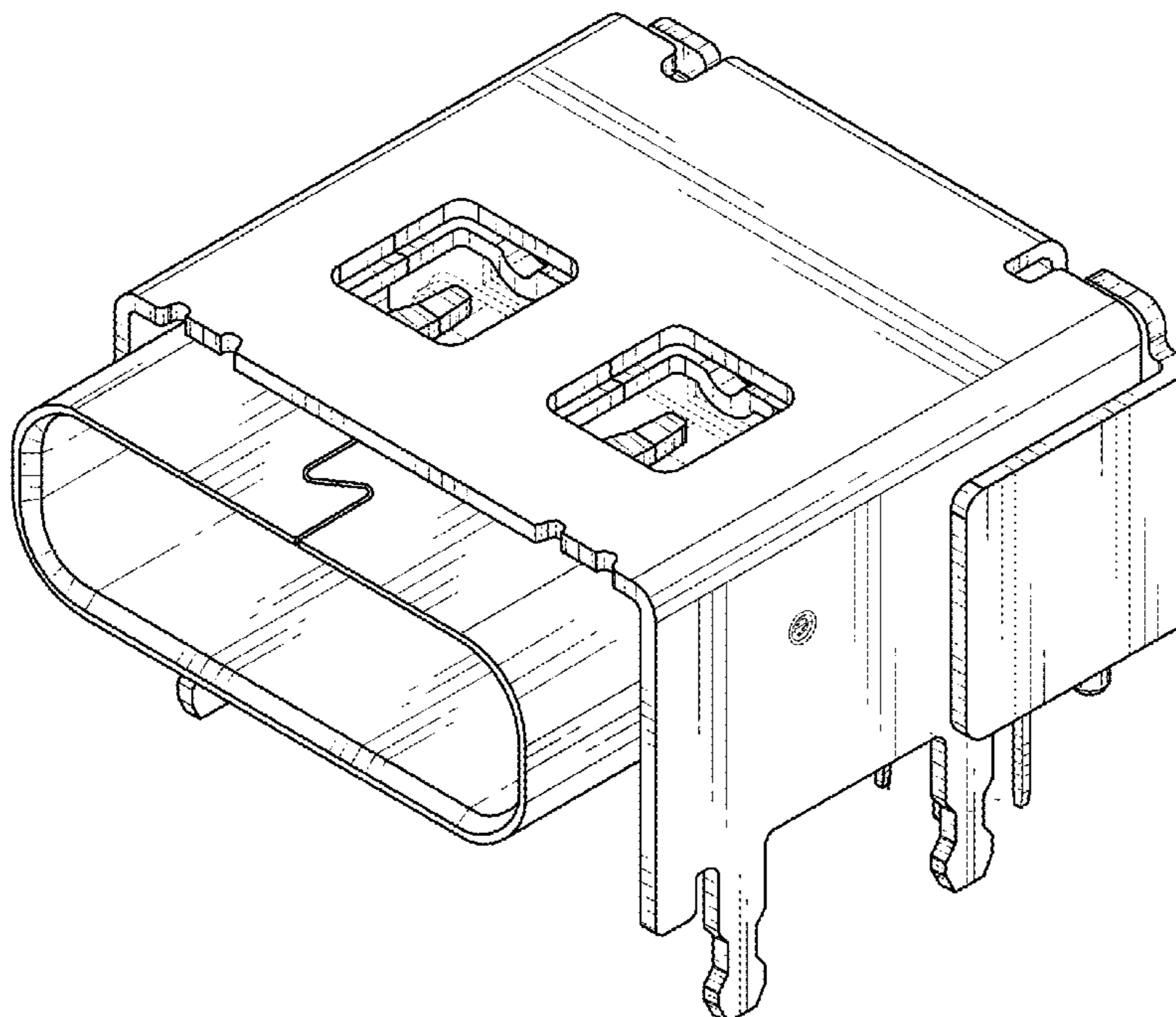
(57) **CLAIM**

The ornamental design for a connector, as shown and described.

DESCRIPTION

FIG. 1 is a front elevational view of a connector showing my new design;
 FIG. 2 is a rear elevational view thereof;
 FIG. 3 is a right side elevational view thereof;
 FIG. 4 is a left side elevational view thereof;
 FIG. 5 is a top plan view thereof;
 FIG. 6 is a bottom plan view thereof;
 FIG. 7 is a perspective view showing a front, top and right side thereof;
 FIG. 8 is a perspective view showing a rear, bottom and left side thereof;
 FIG. 9 is a perspective view showing a front, right and bottom side thereof; and,
 FIG. 10 is a perspective view showing a rear, left and top side thereof.
 The broken line showing of the connector is for the purpose of illustrating portions of the article and forms no part of the claimed design.

1 Claim, 7 Drawing Sheets



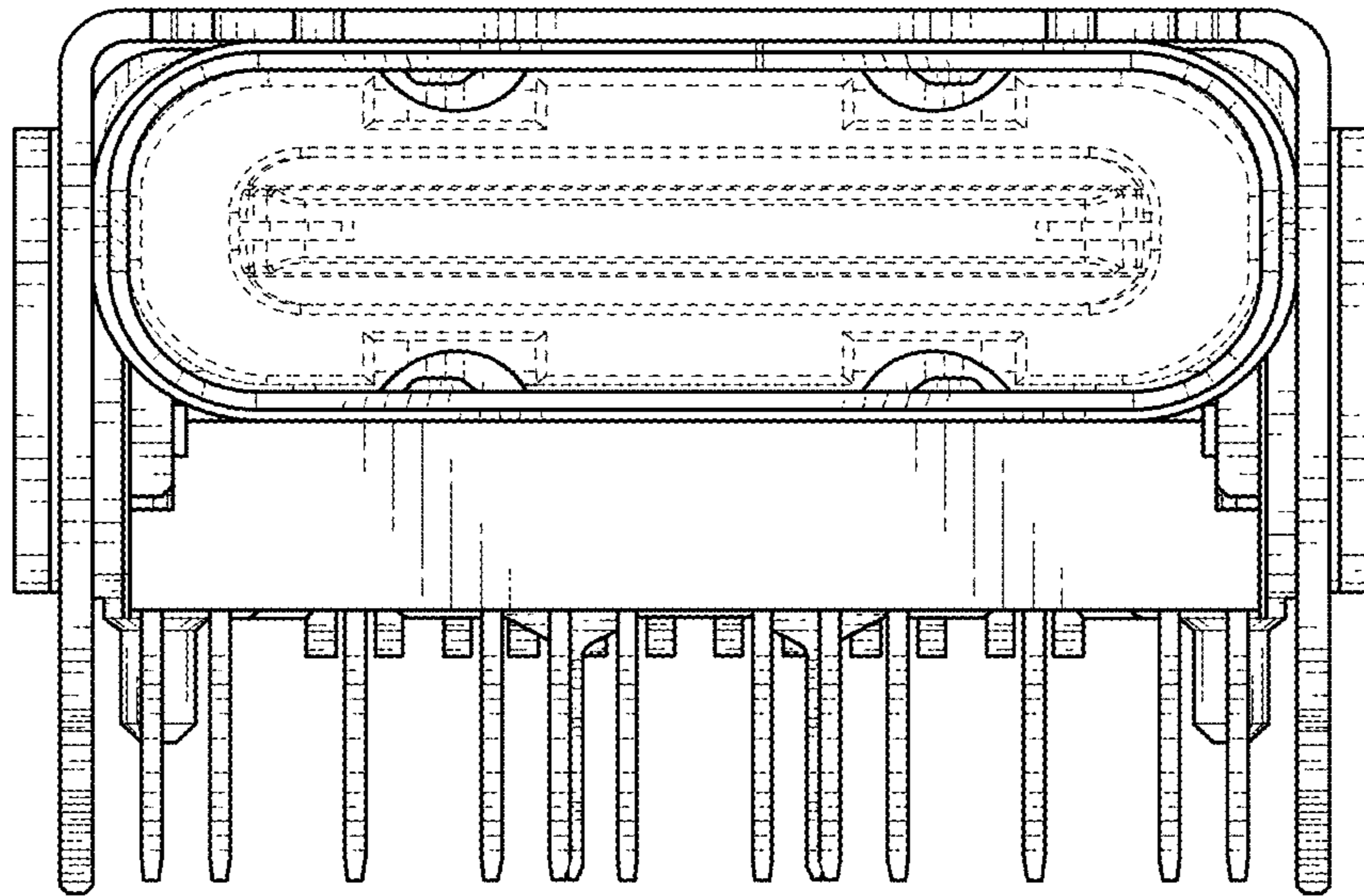


FIG. 1

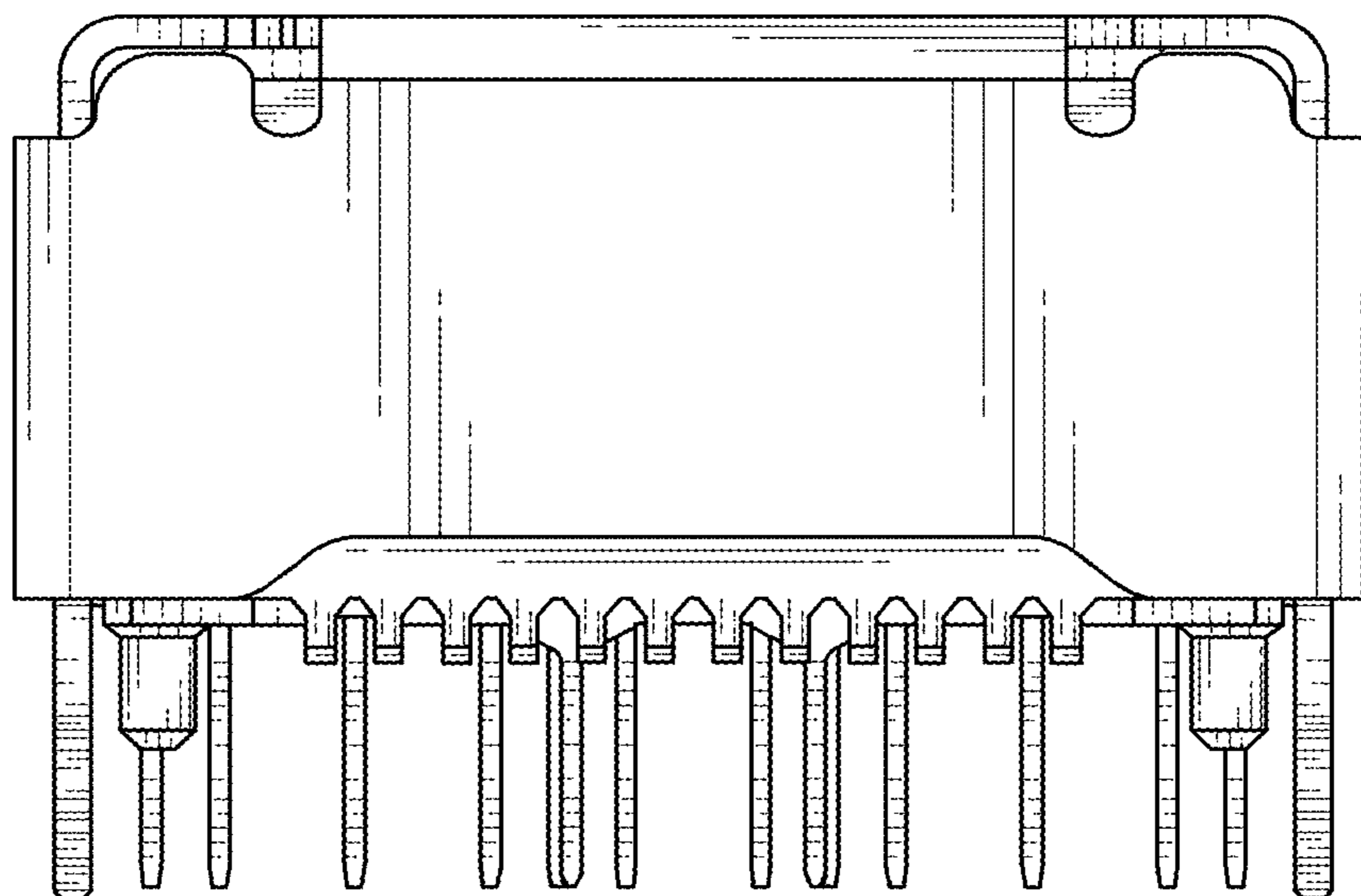


FIG. 2

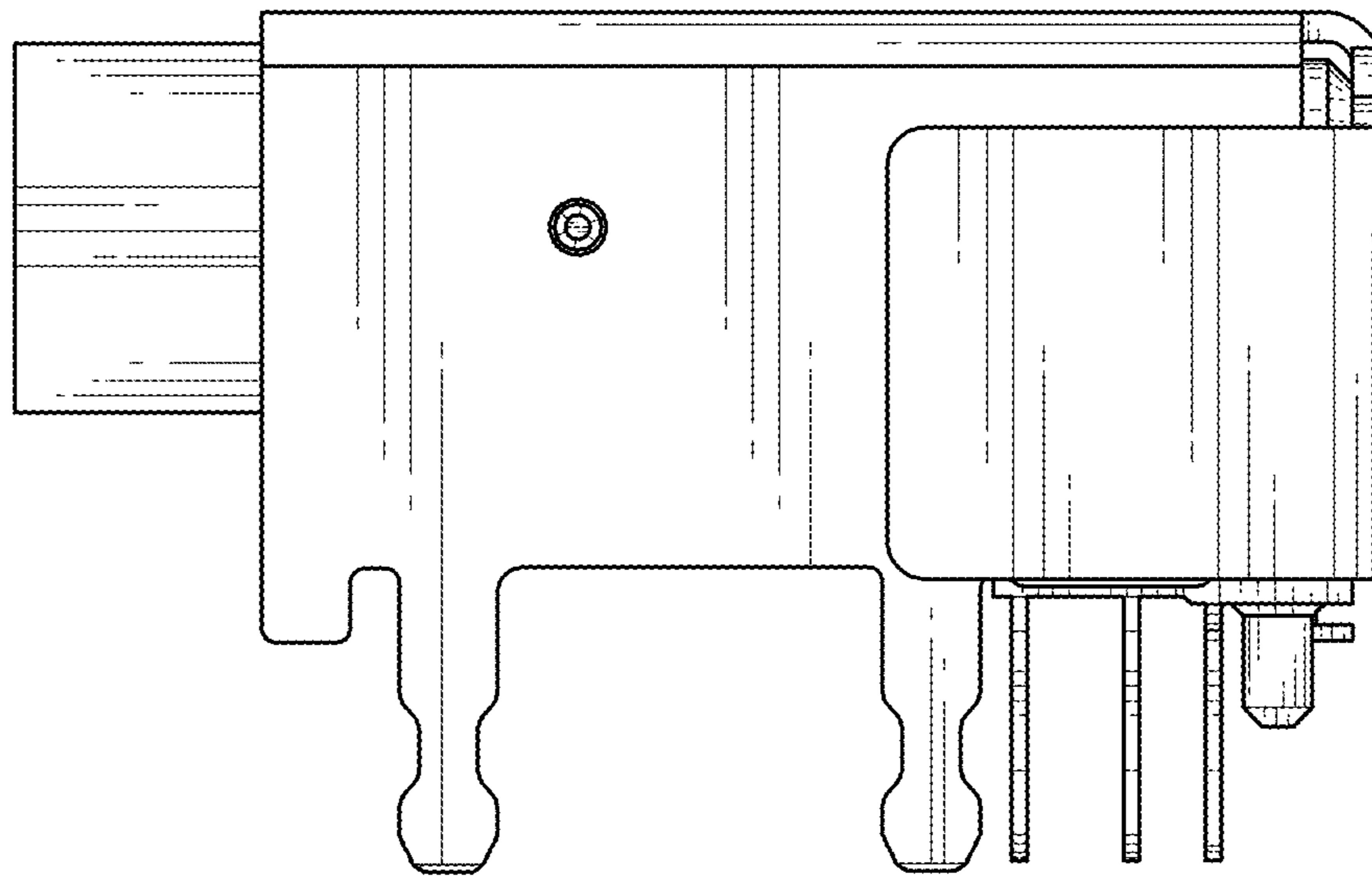


FIG. 3

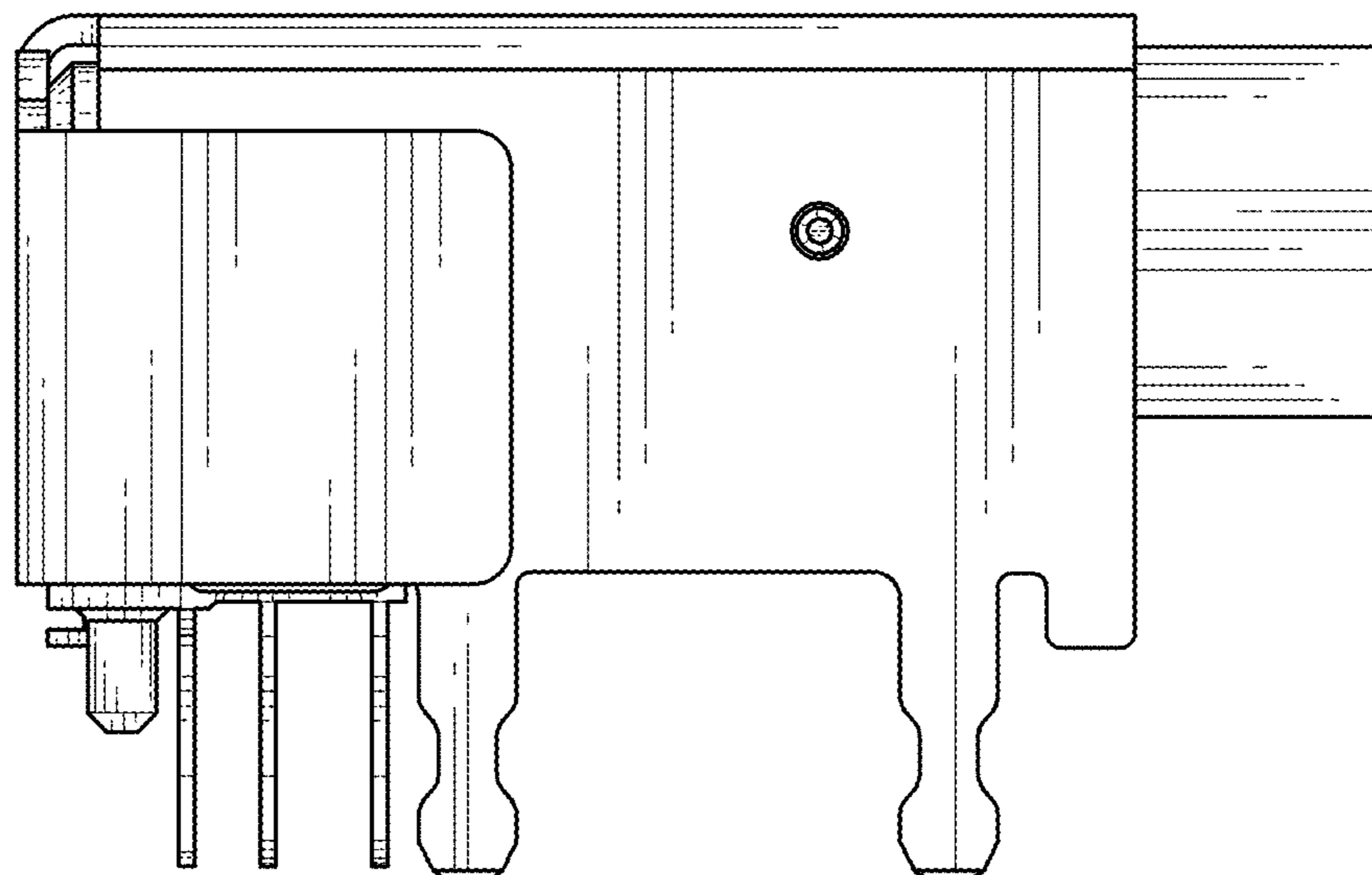


FIG. 4

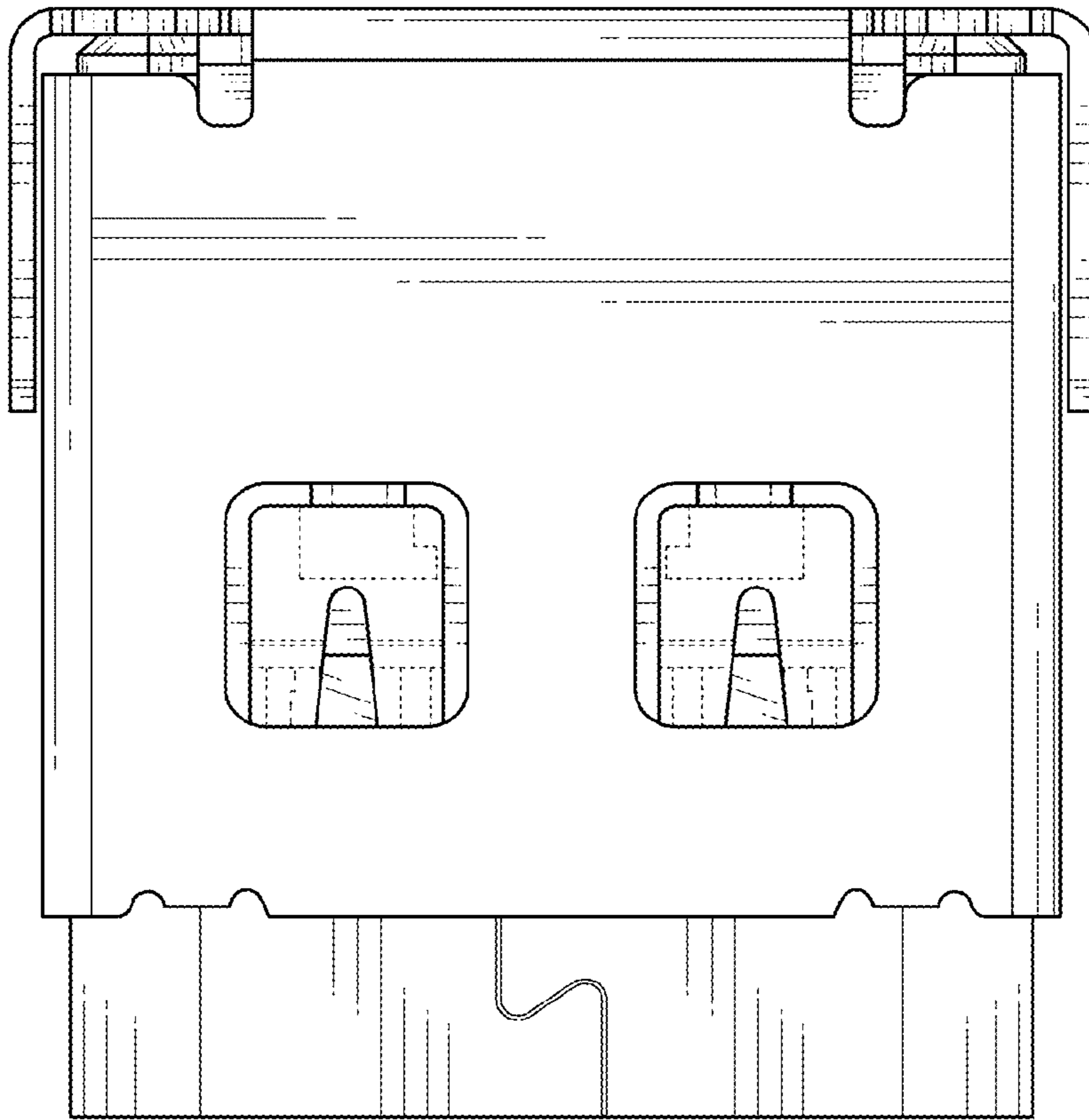


FIG. 5

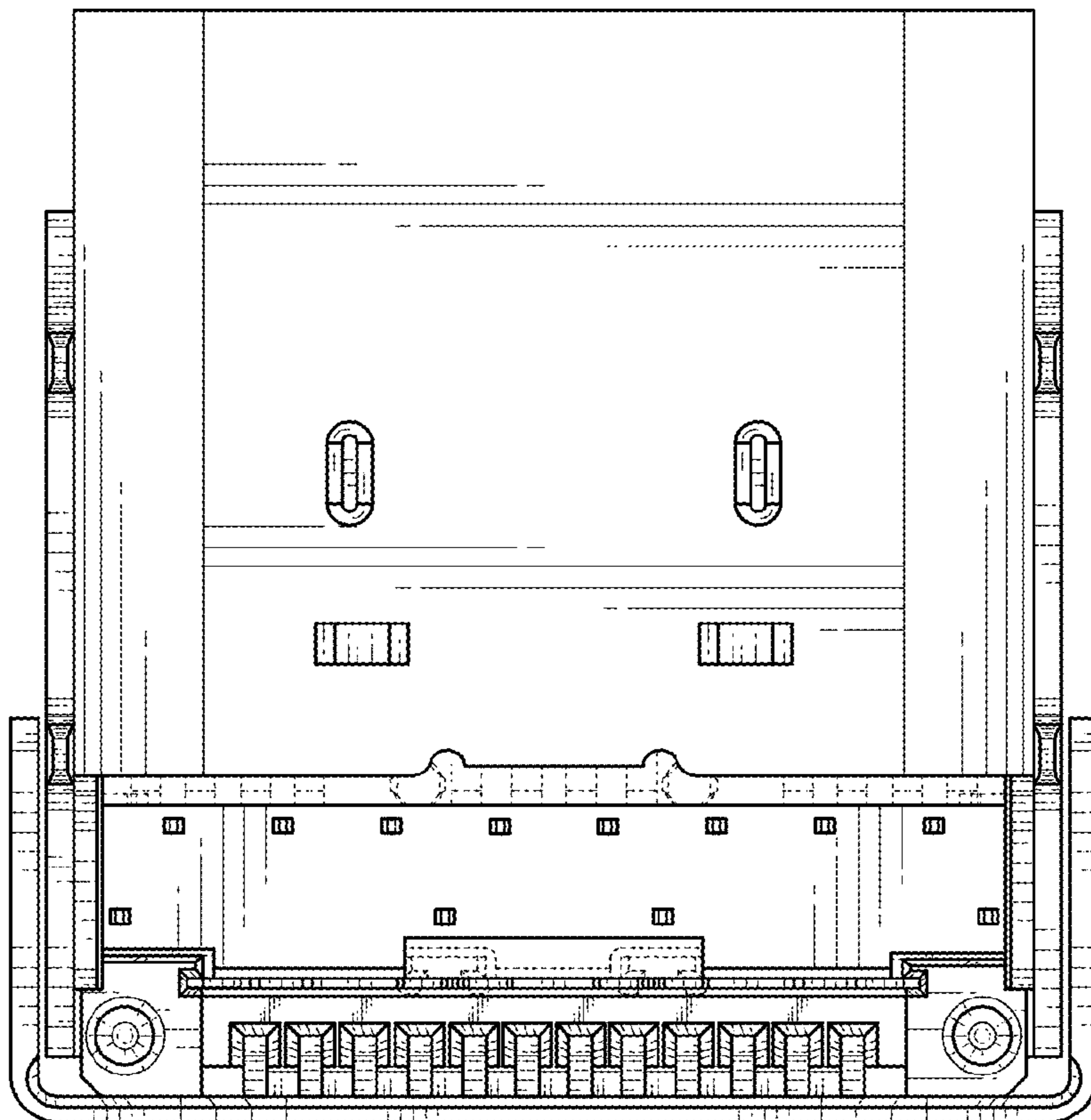


FIG. 6

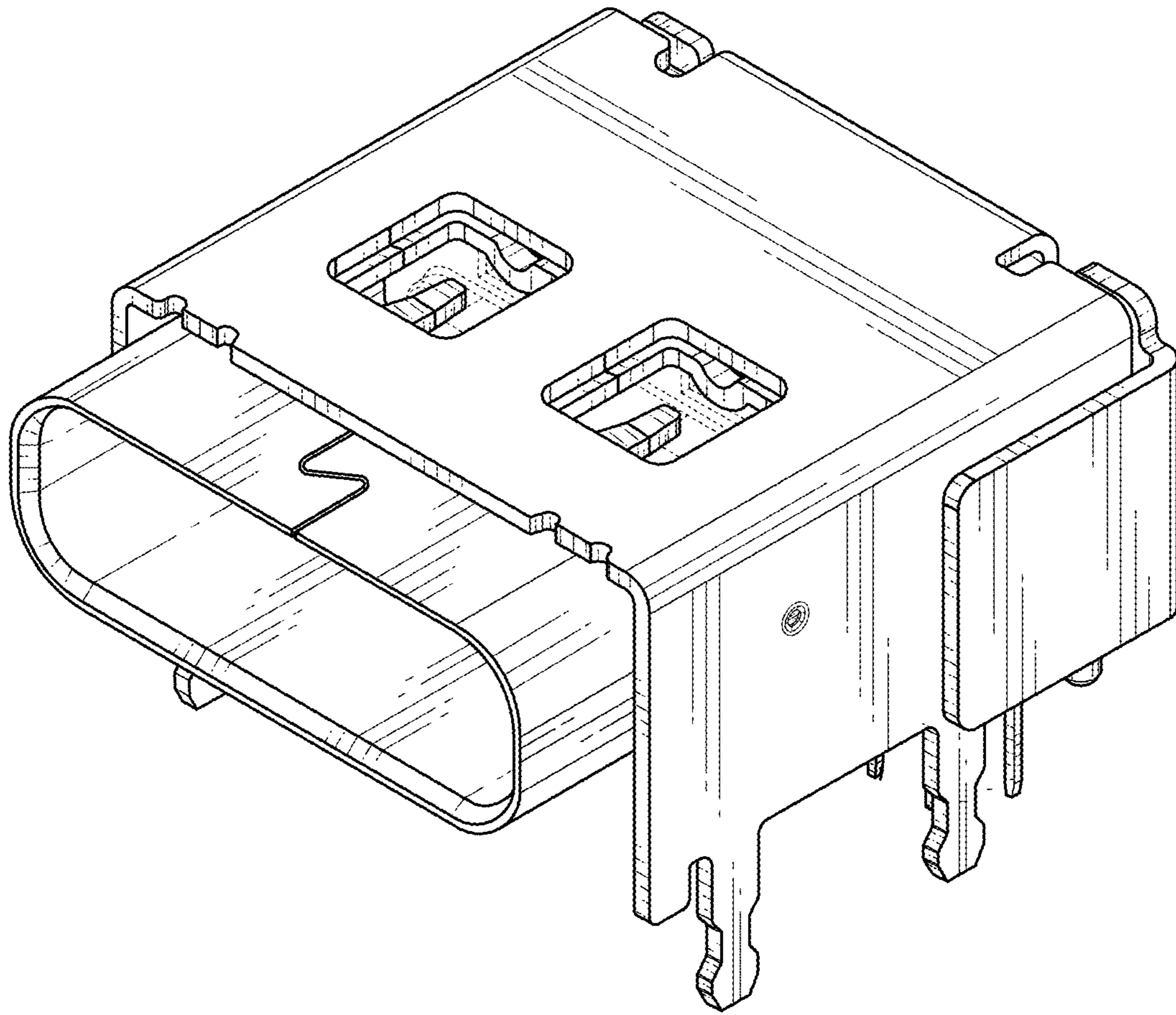


FIG. 7

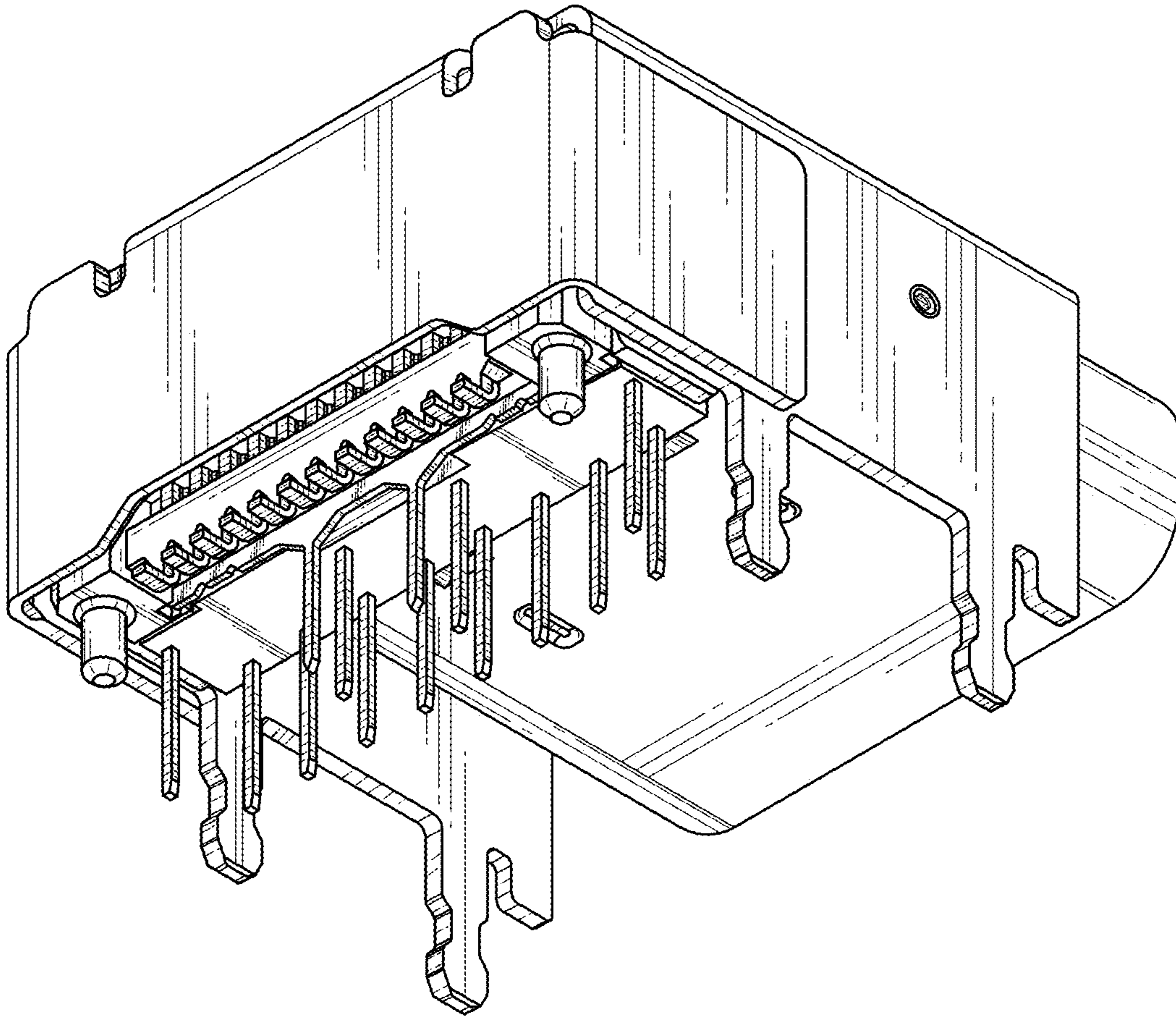


FIG. 8

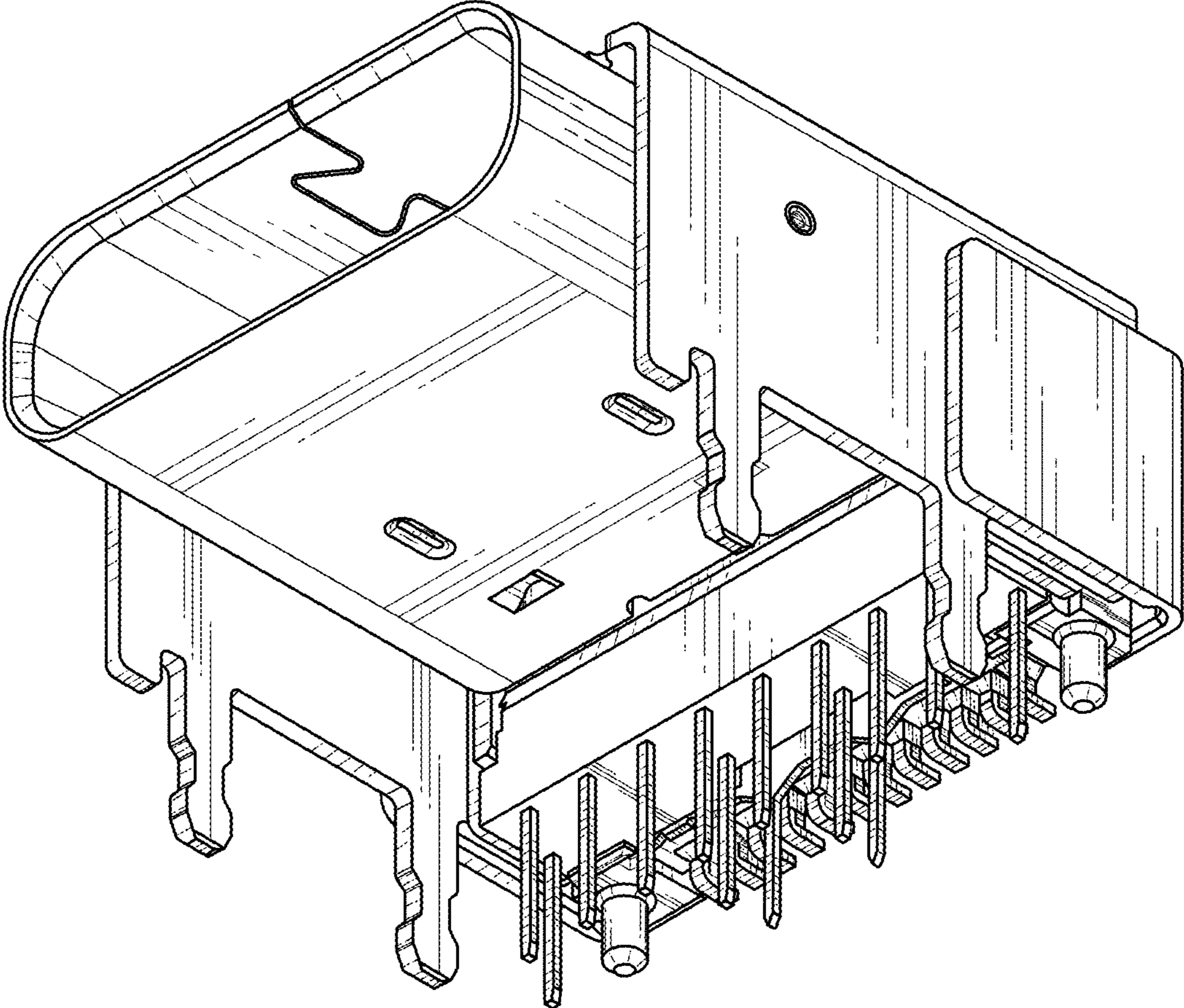


FIG. 9

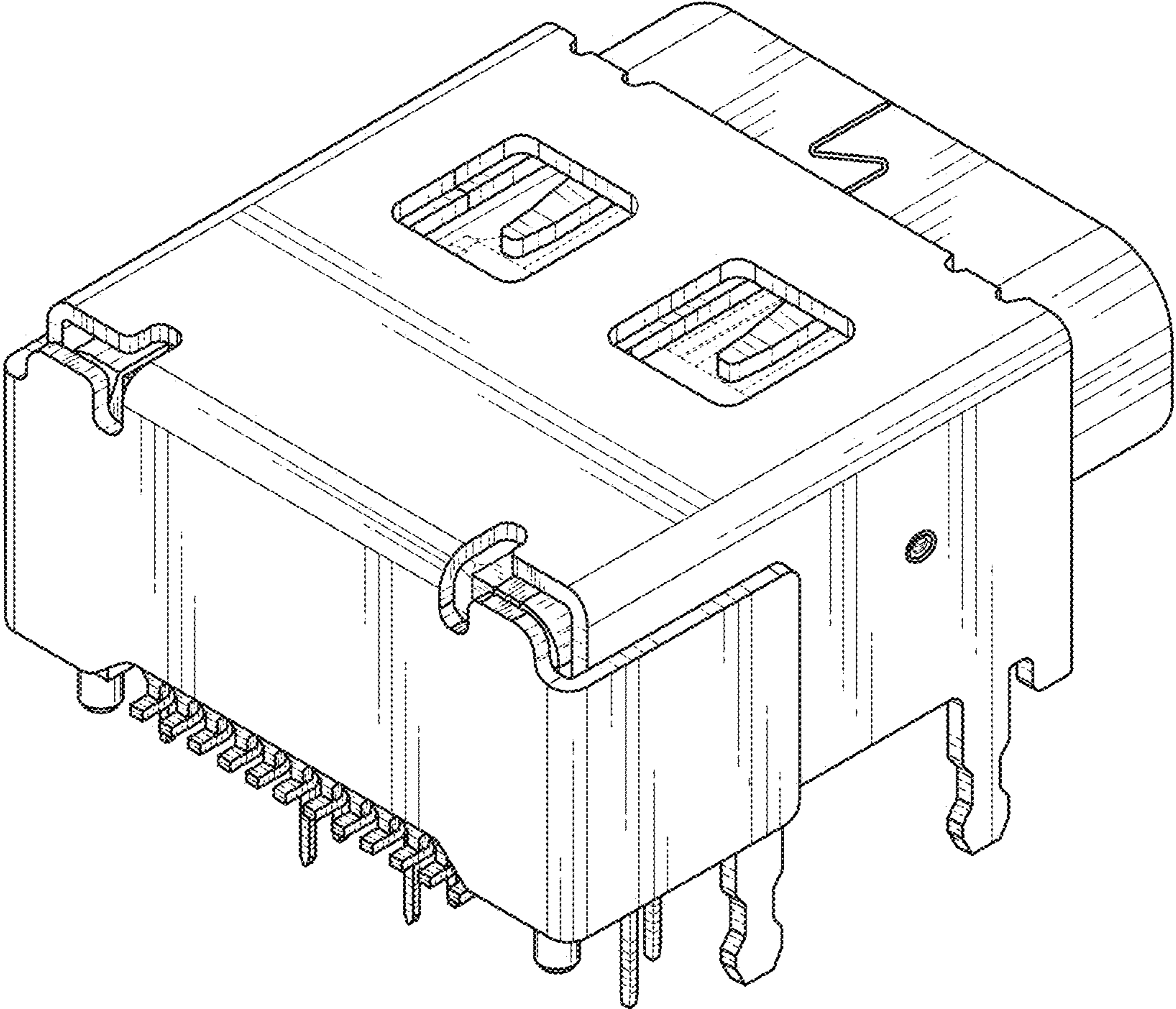


FIG. 10