



US00D915282S

(12) **United States Design Patent**
Steininger

(10) **Patent No.:** **US D915,282 S**

(45) **Date of Patent:** **** Apr. 6, 2021**

(54) **PROTECTION BOARD**

(71) Applicant: **Richard Steininger**, North Jackson, OH
(US)

(72) Inventor: **Richard Steininger**, North Jackson, OH
(US)

(**) Term: **15 Years**

(21) Appl. No.: **29/641,012**

(22) Filed: **Mar. 19, 2018**

(51) **LOC (13) Cl.** **13-03**

(52) **U.S. Cl.**
USPC **D13/128; D25/124; D12/50**

(58) **Field of Classification Search**
USPC D13/123-132, 154, 184, 199; D8/364,
D8/356, 394, 395, 396; D12/50, 51;
D25/124

CPC . B60M 1/08; B60M 1/10; B60M 1/12; B60M
1/16; B60M 1/18; H05K 1/0254; H05K
1/0256; H05K 1/0257; H05K 1/0259;
H05K 1/0281

See application file for complete search history.

(56) **References Cited**

U.S. PATENT DOCUMENTS

1,532,836 A	4/1925	Schmid et al.	
1,577,193 A *	3/1926	Reed	H01B 17/20 174/158 R
1,837,096 A	12/1931	Banks	
2,048,367 A	7/1936	Banks	
2,218,156 A *	10/1940	Scholes	E01B 9/306 238/349
2,502,756 A	4/1950	Schmid	
3,021,501 A *	2/1962	Blanchet	H01R 9/26 439/716
3,475,568 A	10/1969	Dehn	
D219,877 S *	2/1971	Thompson	D25/122
3,806,672 A	4/1974	Landis	
D248,464 S *	7/1978	Moore	D13/131

4,318,462 A	3/1982	Weinhaus	
D349,274 S *	8/1994	Kian	D13/128
D353,791 S *	12/1994	Brandan	D12/50
5,522,602 A *	6/1996	Kaplo	H05K 9/0015 277/650
5,876,223 A *	3/1999	Kaneshige	H01R 13/24 439/108
D453,845 S *	2/2002	Scalzott	D25/124

(Continued)

FOREIGN PATENT DOCUMENTS

CN	302175158	*	11/2012
DE	20 2012 101 576 U1		9/2013

(Continued)

OTHER PUBLICATIONS

Pandrol. Link: <https://www.pandrol.com/us/product/porttech/>. Visited Aug. 12, 2020. Porttech fastening. (Year: 2020).*

(Continued)

Primary Examiner — Lauren D McVey
(74) *Attorney, Agent, or Firm* — Fay Sharpe LLP

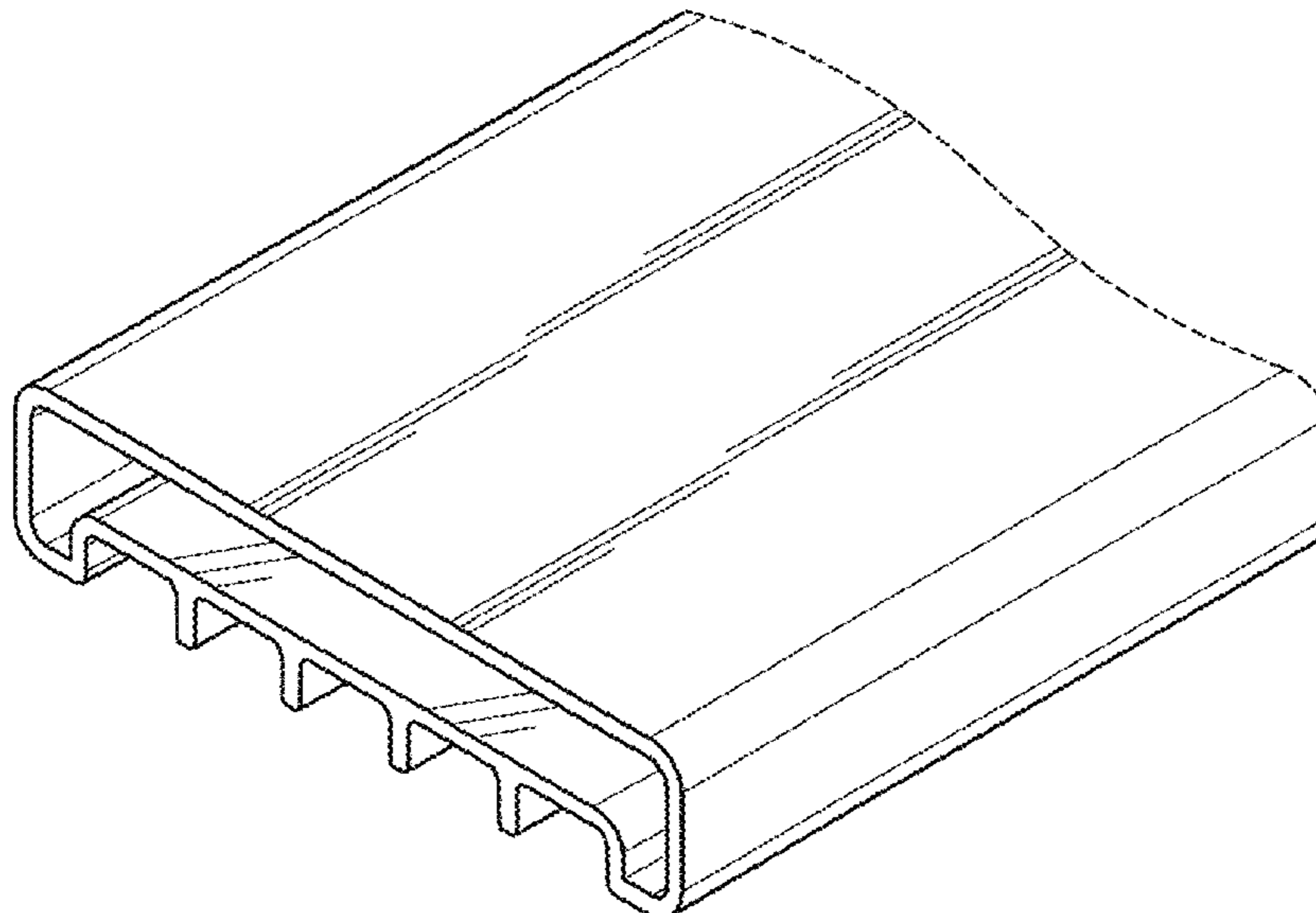
(57) **CLAIM**

The ornamental design for a protection board, as shown and described.

DESCRIPTION

FIG. 1 is a front perspective view of a protection board showing my new design;
FIG. 2 is a top plan view thereof;
FIG. 3 is a bottom plan view thereof;
FIG. 4 is a left side elevational view thereof, with the right side elevational view being a mirror image thereof; and,
FIG. 5 is a front elevational view thereof.
The broken lines in FIGS. 1-4 depict the bounds of the claimed design and form no part of the claimed design.

1 Claim, 2 Drawing Sheets



(56)

References Cited

U.S. PATENT DOCUMENTS

D541,953 S * 5/2007 Deleu D25/122
D612,715 S * 3/2010 Weinberg D8/394
7,926,634 B1 4/2011 Morales
D702,596 S 4/2014 Ciloglu
D724,490 S 3/2015 Ciloglu et al.
D788,254 S * 5/2017 Baehler D22/108
2006/0048431 A1 * 3/2006 Weir F41C 23/02
42/85
2017/0320404 A1 11/2017 Steininger

FOREIGN PATENT DOCUMENTS

JP D1303461 * 6/2007
WO WO-2014103772 A1 * 7/2014 H05K 3/4691

OTHER PUBLICATIONS

www.conductix.com, "Transit Power Rail For Third Rail and APM
Systems", Conductix—Wampfler, 2017, 16 pages.
<http://www.lbfoster.com>, "Transit Products", 2017, 7 pages.

* cited by examiner

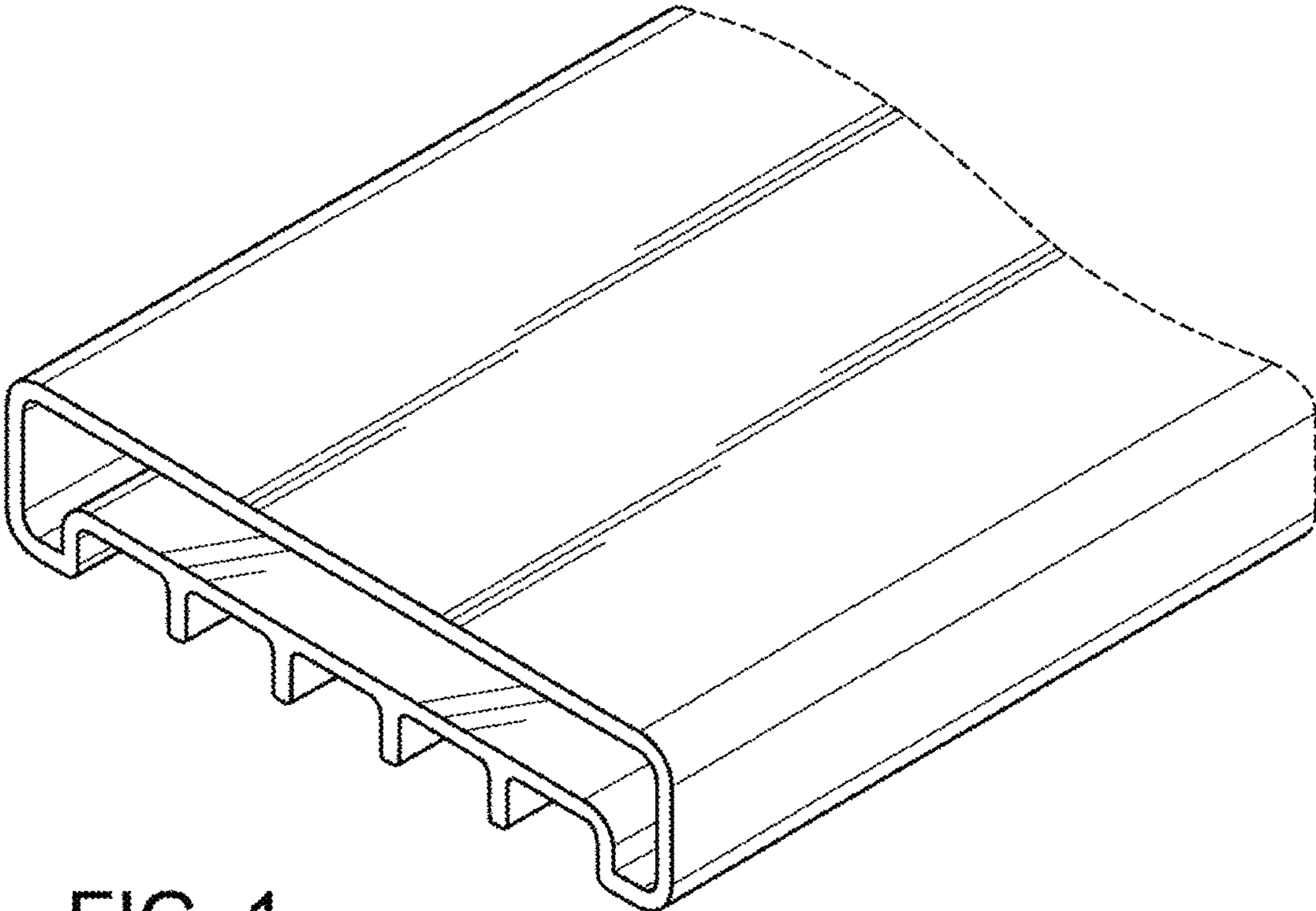


FIG. 1

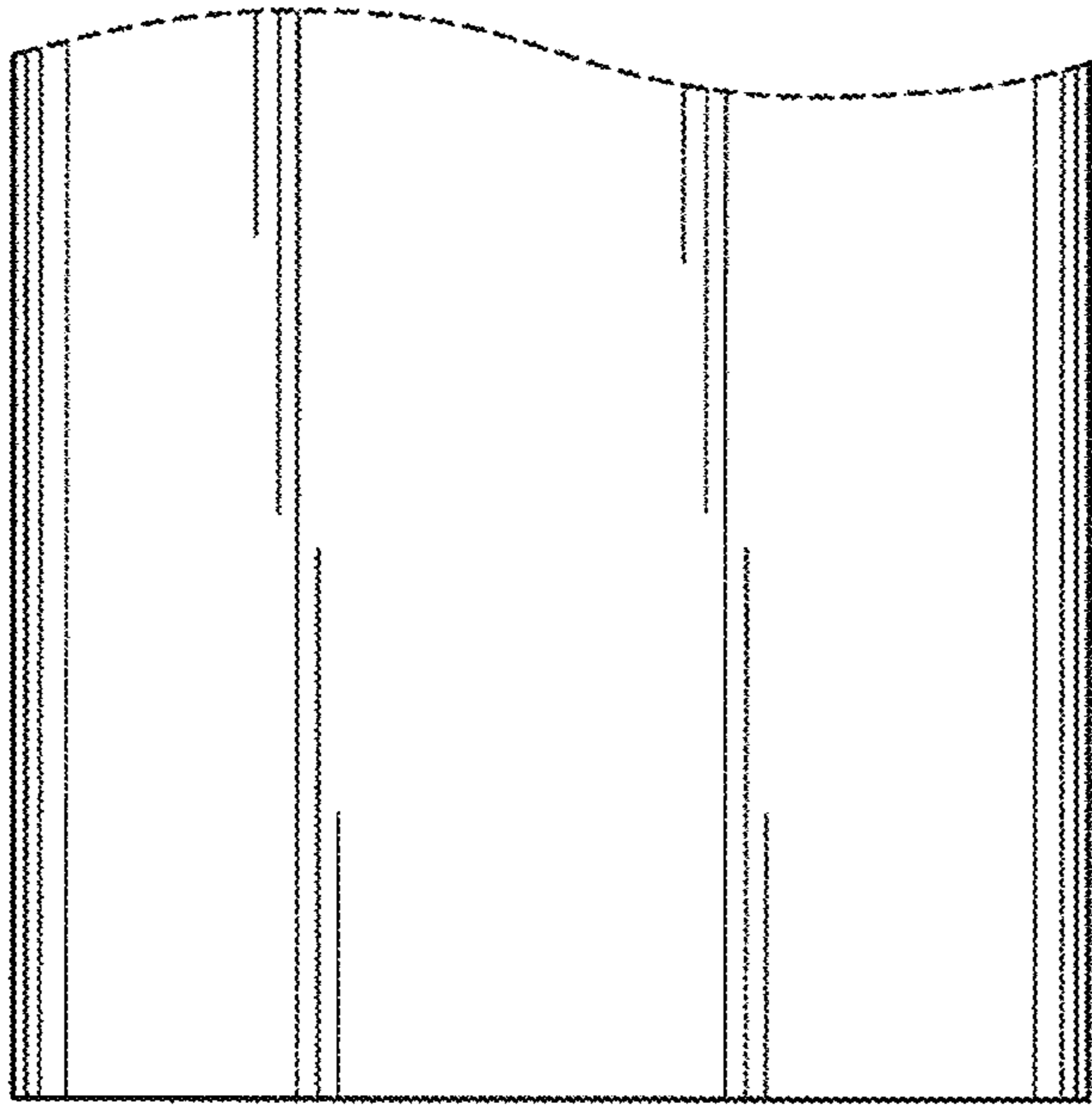


FIG. 2

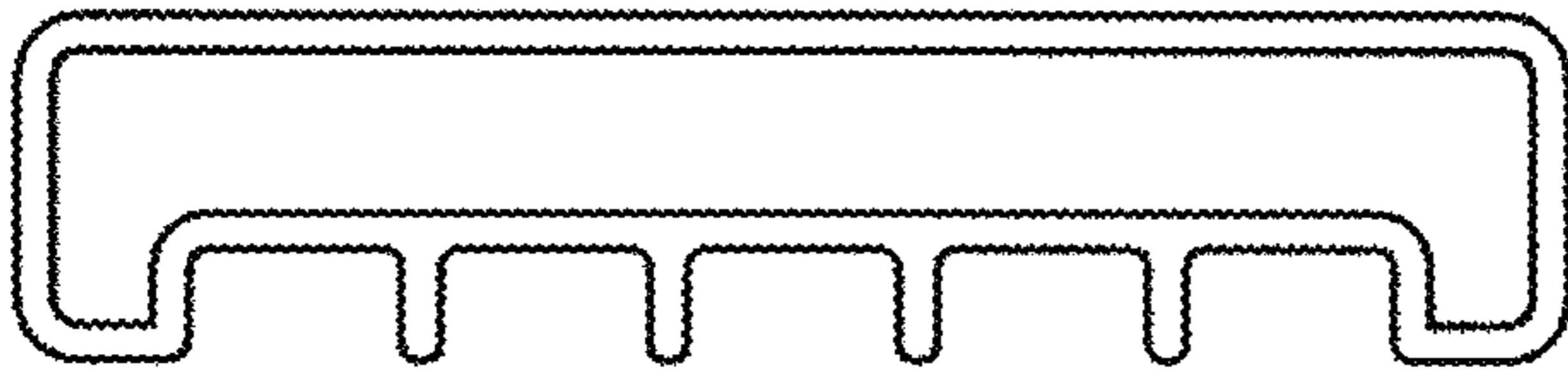


FIG. 5

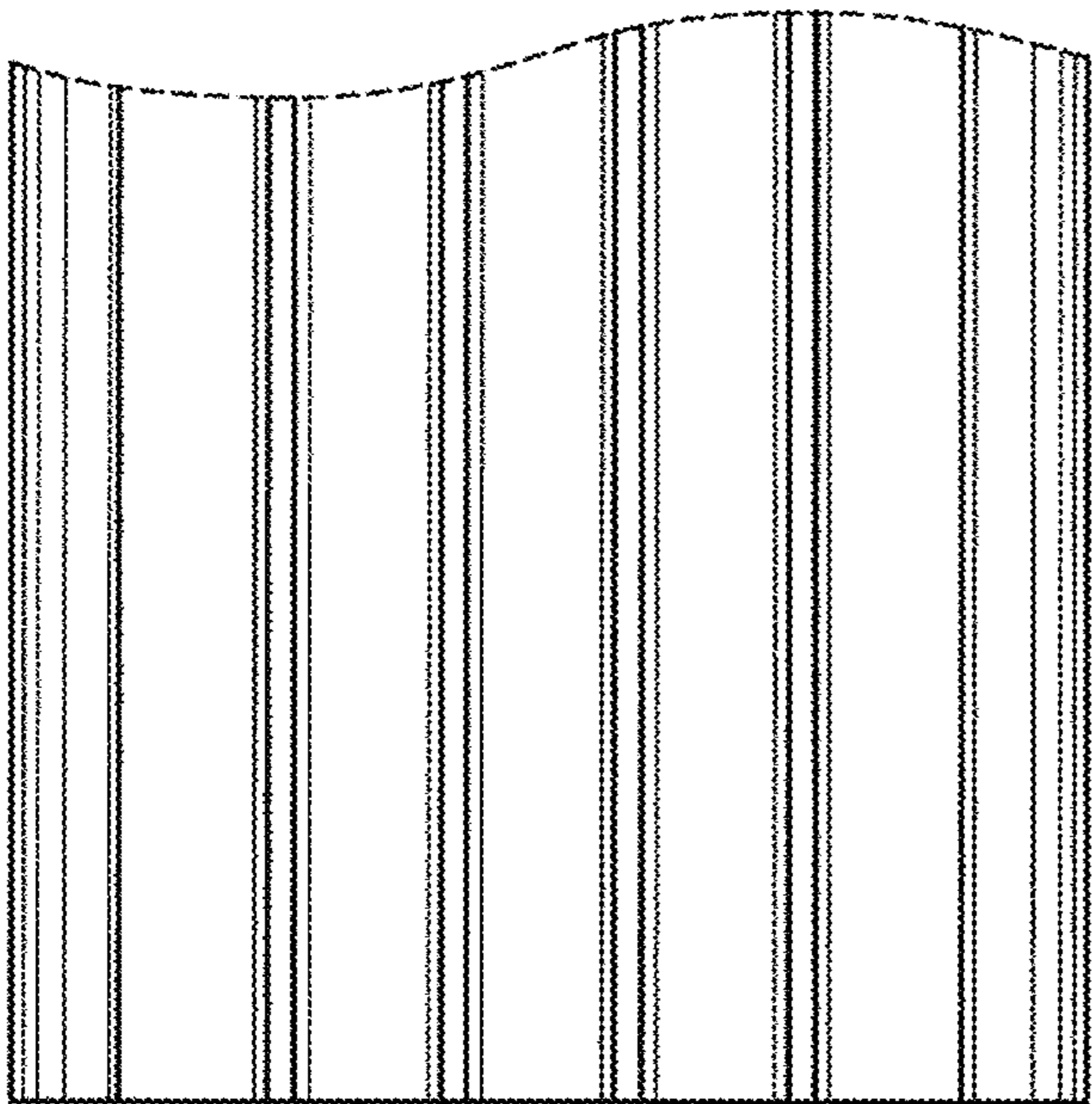


FIG. 3

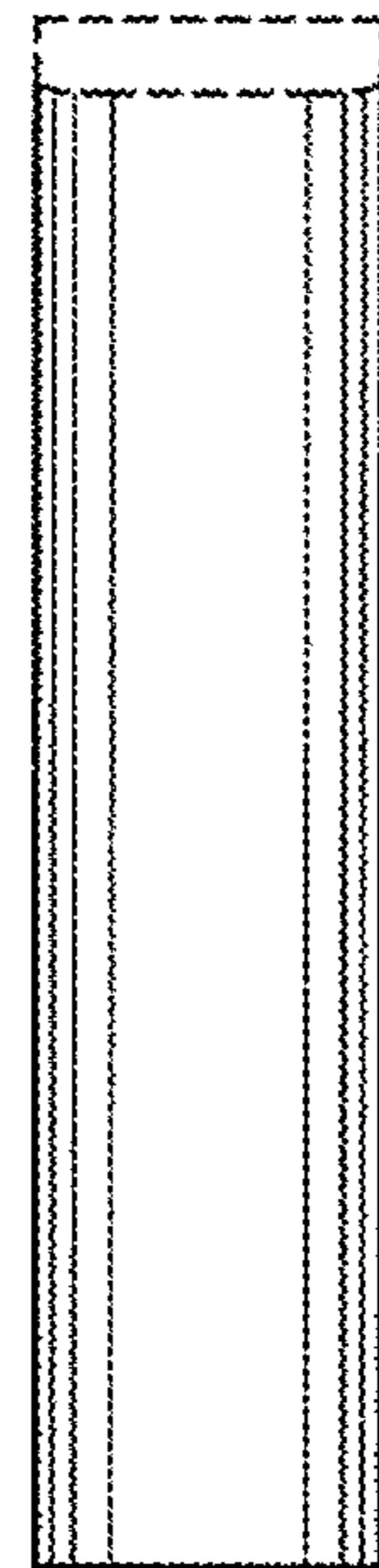


FIG. 4