



US00D915279S

(12) **United States Design Patent** (10) **Patent No.:** **US D915,279 S**
Nanbu et al. (45) **Date of Patent:** **** Apr. 6, 2021**

(54) **MOTOR**

(71) Applicant: **Panasonic Intellectual Property Management Co., Ltd., Osaka (JP)**

(72) Inventors: **Yasuo Nanbu, Osaka (JP); Takanori Amaya, Osaka (JP)**

(73) Assignee: **Panasonic Intellectual Property Management Co., Ltd., Osaka (JP)**

(**) Term: **15 Years**

(21) Appl. No.: **29/715,386**

(22) Filed: **Dec. 2, 2019**

(30) **Foreign Application Priority Data**

Jun. 20, 2019 (JP) 2019-013607
Jun. 20, 2019 (JP) 2019-013610

(51) **LOC (13) Cl.** **13-01**

(52) **U.S. Cl.**
USPC **D13/112**

(58) **Field of Classification Search**
USPC D13/101, 112, 113, 114, 117, 118, 120,
D13/122, 199; D15/1, 3, 5, 199;
D23/370, 377

(Continued)

(56) **References Cited**

U.S. PATENT DOCUMENTS

4,673,837 A * 6/1987 Gingerich H02K 5/148
29/597
5,883,449 A * 3/1999 Mehta F04D 25/082
310/417

(Continued)

FOREIGN PATENT DOCUMENTS

CN 304634810 S 5/2018
JP D1411473 4/2011
JP D1630777 5/2019

Primary Examiner — Derrick E Holland
(74) *Attorney, Agent, or Firm* — Panasonic IP Management; Kerry S. Culpepper

(57) **CLAIM**

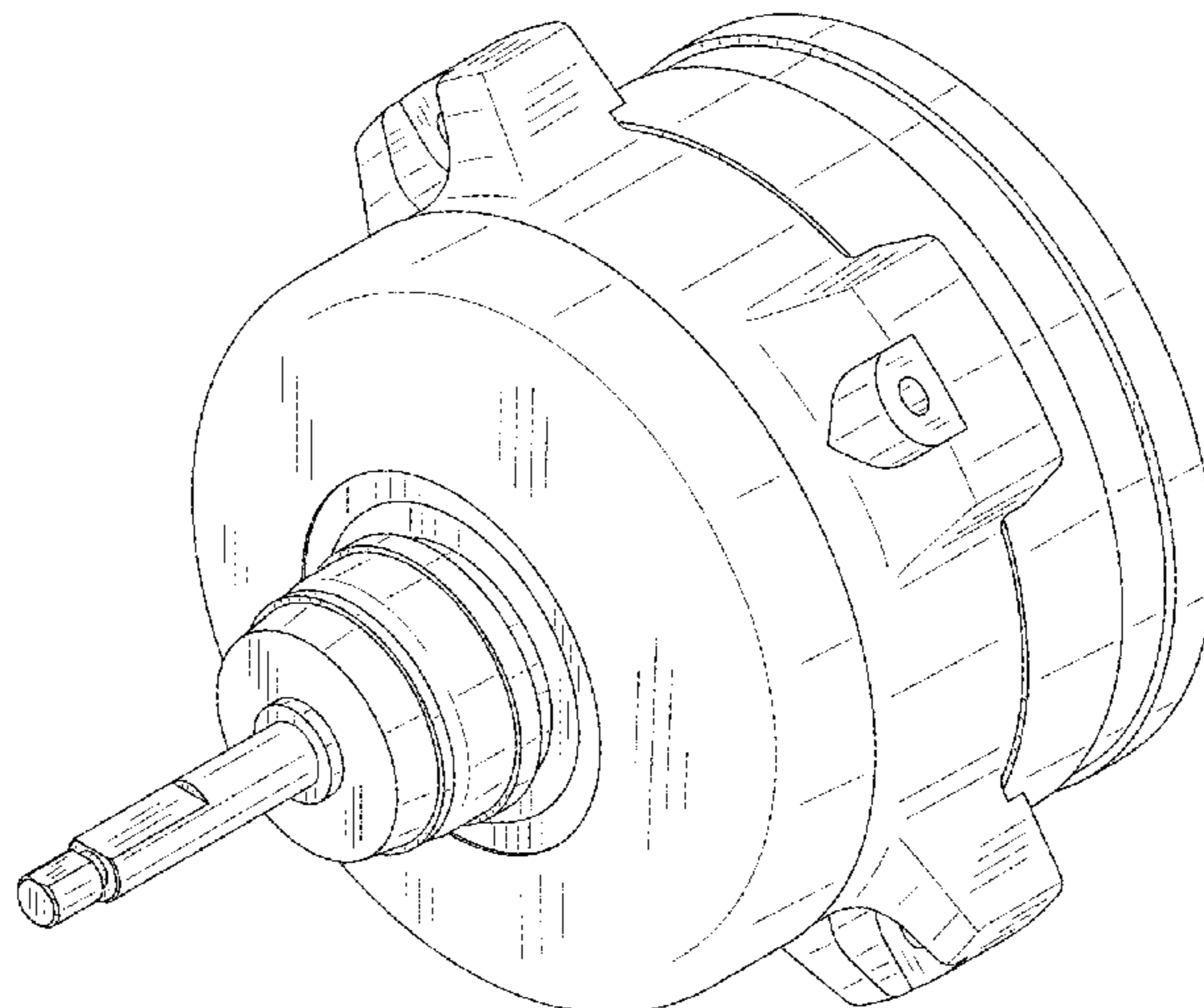
We claim the ornamental design for a motor, as shown and described.

DESCRIPTION

FIG. 1 is a front perspective view of a motor of a first embodiment according to the present invention; FIG. 2 is a rear perspective view thereof; FIG. 3 is a front view thereof; FIG. 4 is a rear view thereof; FIG. 5 is a first side view thereof; FIG. 6 is a second side view thereof; FIG. 7 is a top view thereof; FIG. 8 is a bottom view thereof; FIG. 9 is a cross-sectional view taken along the line 9-9 in FIG. 3; FIG. 10 is an enlarged view of the area marked as 10 in FIG. 9; FIG. 11 is a front perspective view of a motor of a second embodiment according to the present invention; FIG. 12 is a rear perspective view thereof; FIG. 13 is a front view thereof; FIG. 14 is a rear view thereof; FIG. 15 is a first side view thereof; FIG. 16 is a second side view thereof; FIG. 17 is a top view thereof; FIG. 18 is a bottom view thereof; FIG. 19 is a cross-sectional view taken along the line 19-19 in FIG. 13; FIG. 20 is an end view of the sectioned part taken along the line 20-20 in FIG. 16; FIG. 21 is an enlarged view of the area marked as 21 in FIG. 19; and, FIG. 22 is an enlarged view of the area marked as 22 in FIG. 20.

The broken lines in the drawings represent portions of the motor that form no part of the claimed design.

1 Claim, 22 Drawing Sheets



(58) **Field of Classification Search**

CPC . F02B 63/04; H02K 3/24; H02K 3/47; H02K
1/12; H02K 5/02; H02K 5/04; H02K
5/08; H02K 5/18; H02K 5/20; H02K
11/0094; H02K 9/06; H02K 9/14

See application file for complete search history.

(56) **References Cited**

U.S. PATENT DOCUMENTS

D409,564	S *	5/1999	Koshida	D13/112
D526,275	S *	8/2006	Han	D13/112
D551,167	S *	9/2007	Kubota	D13/112
D709,450	S *	7/2014	Tanabe	D13/112
D710,801	S *	8/2014	Tanaka	D13/112
D741,260	S *	10/2015	Yabuuchi	D13/112
9,172,283	B2 *	10/2015	Li	H02K 5/02
D753,591	S *	4/2016	Noda	D13/112
D786,794	S *	5/2017	McCormick	D13/112
D790,467	S *	6/2017	Marth	D13/112
9,822,642	B2 *	11/2017	Anderson	B64D 27/16
D806,650	S *	1/2018	Chang	D13/112
D836,551	S *	12/2018	Kaneko	D13/112
D842,246	S *	3/2019	Gan	D13/112
D853,445	S *	7/2019	Kuratani	D15/1
D860,942	S *	9/2019	Hilker	D13/112
D886,737	S *	6/2020	Nanbu	D13/112
2015/0249376	A1 *	9/2015	Hiwaki	H02K 5/08 310/43

* cited by examiner

FIG. 1

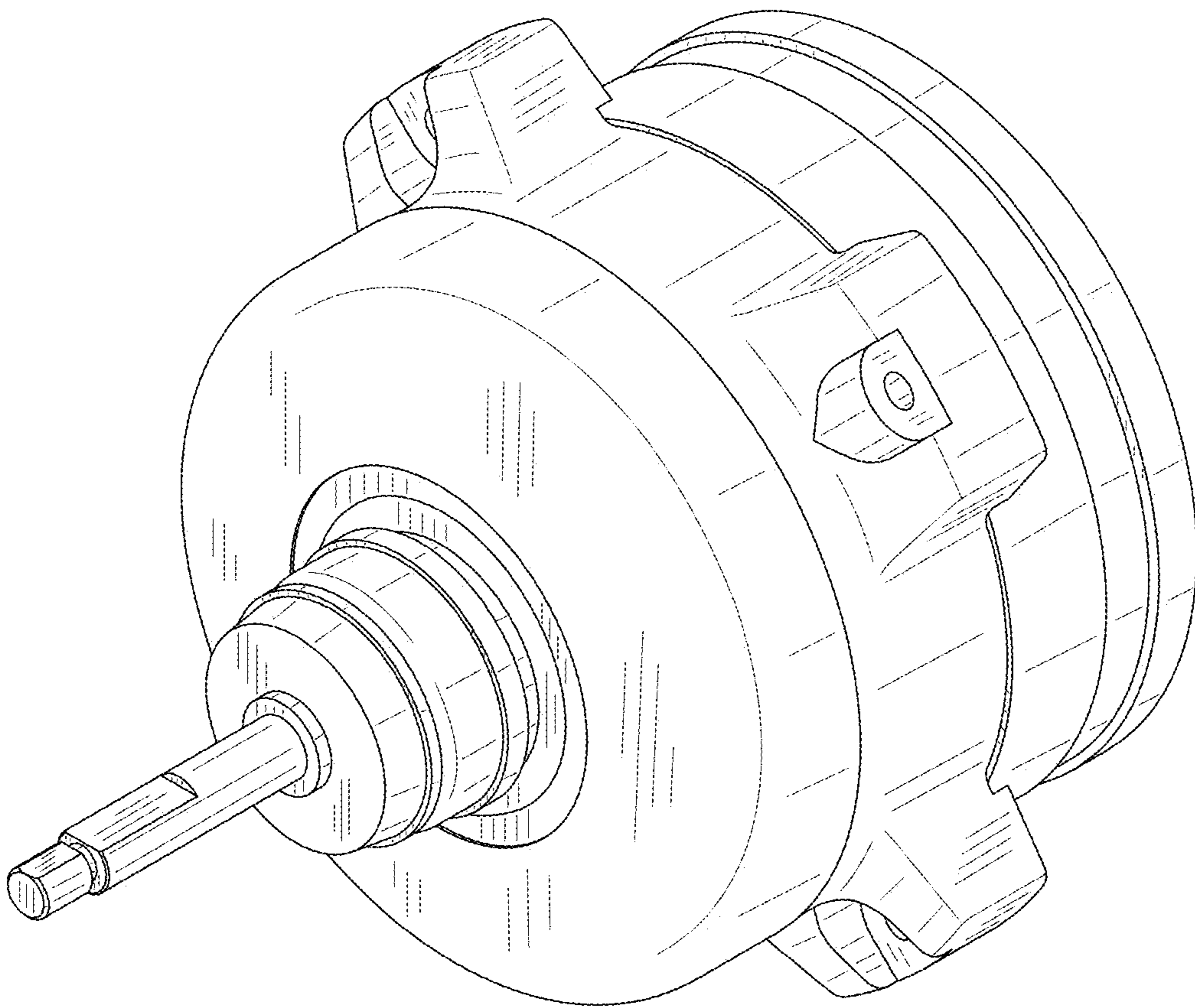


FIG. 2

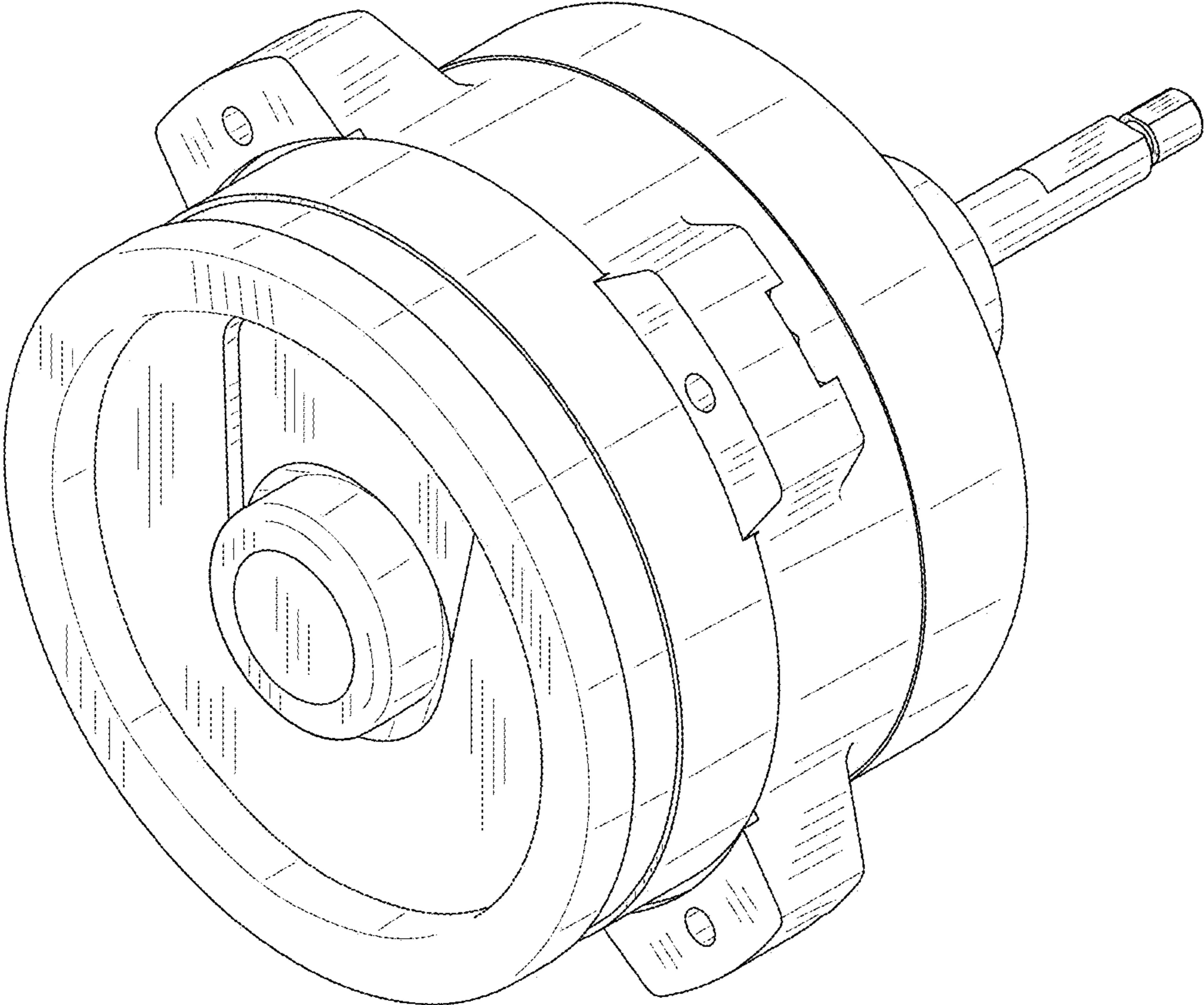


FIG. 3

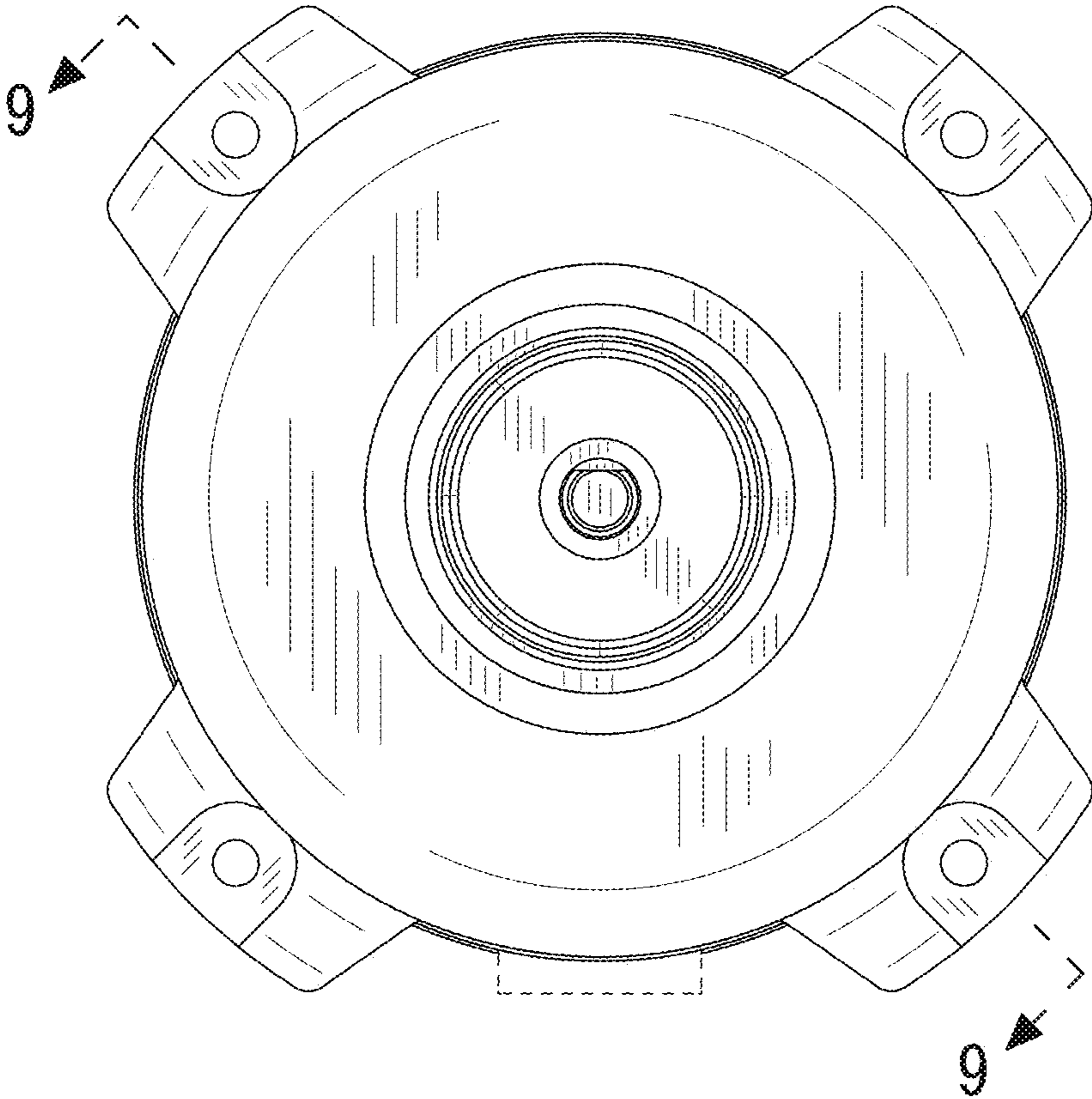


FIG. 4

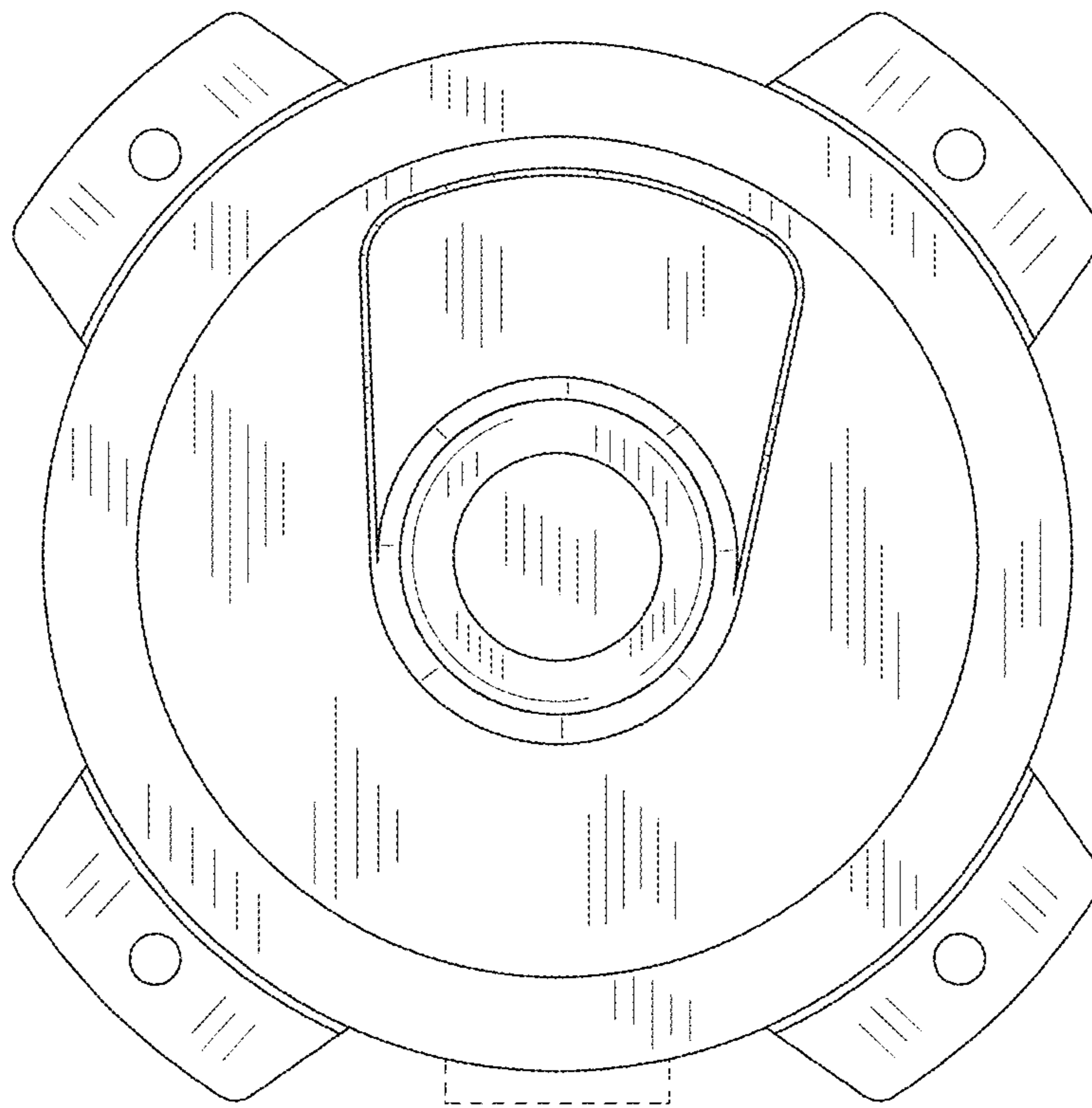


FIG. 5

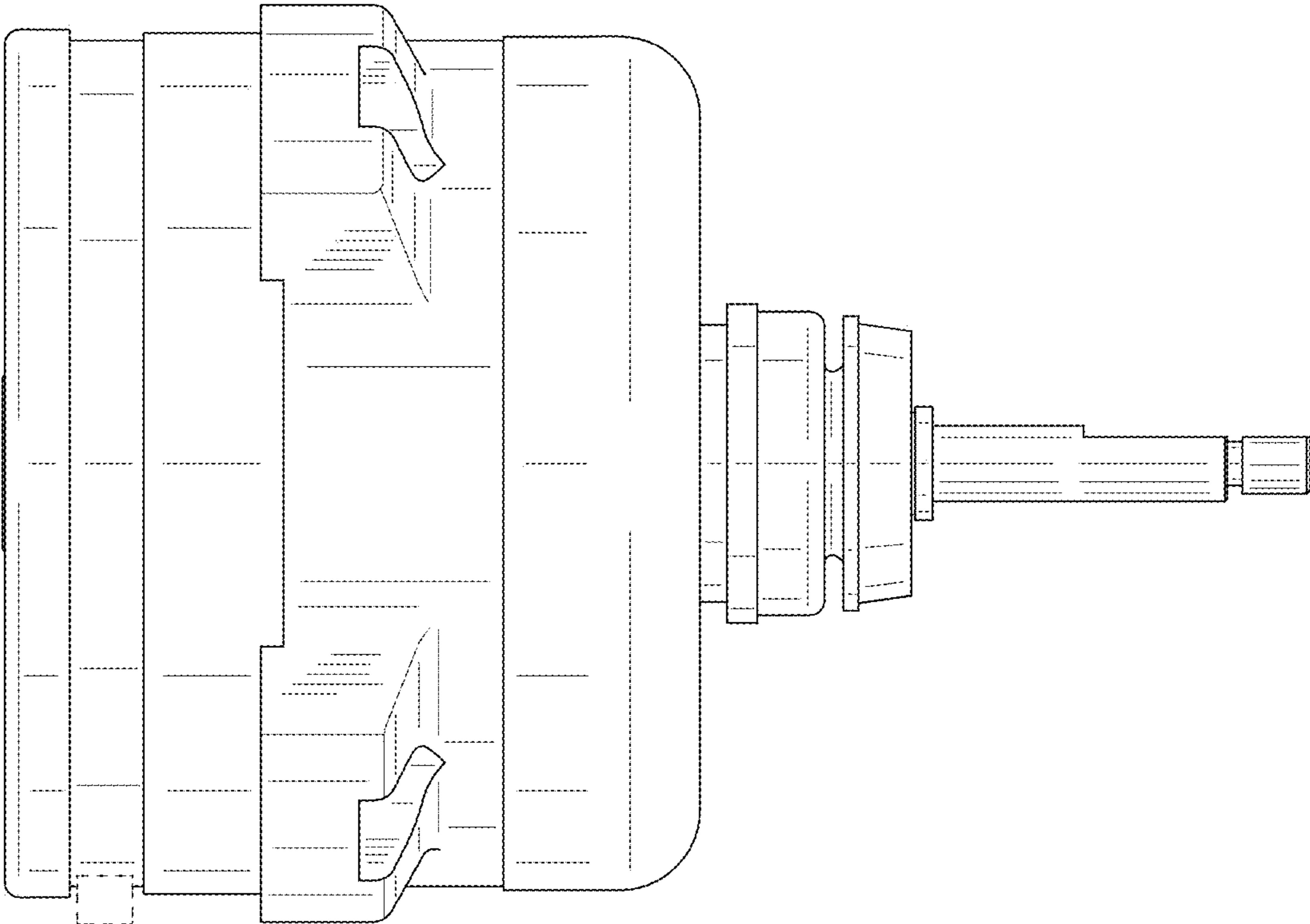


FIG. 6

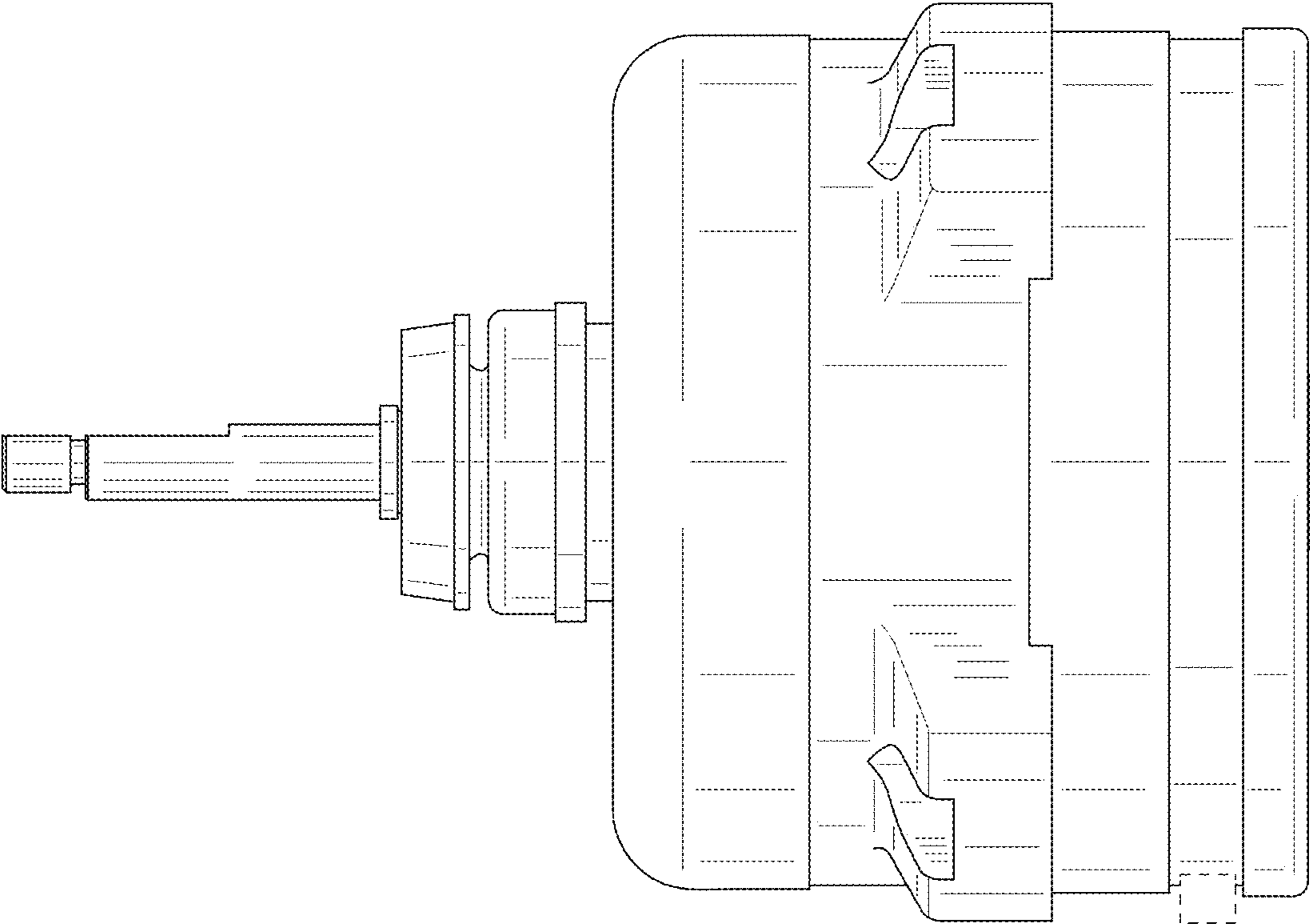


FIG. 7

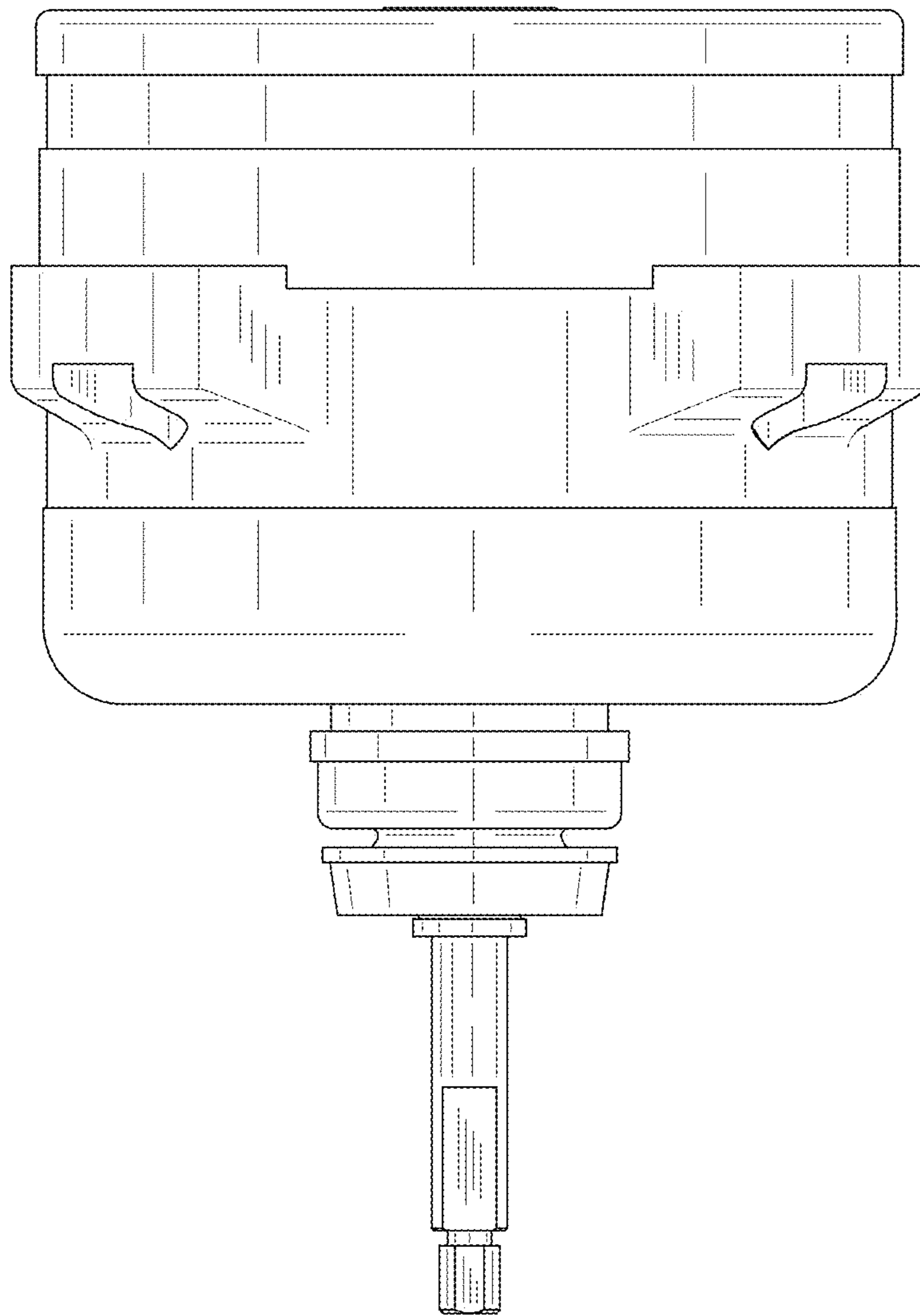


FIG. 8

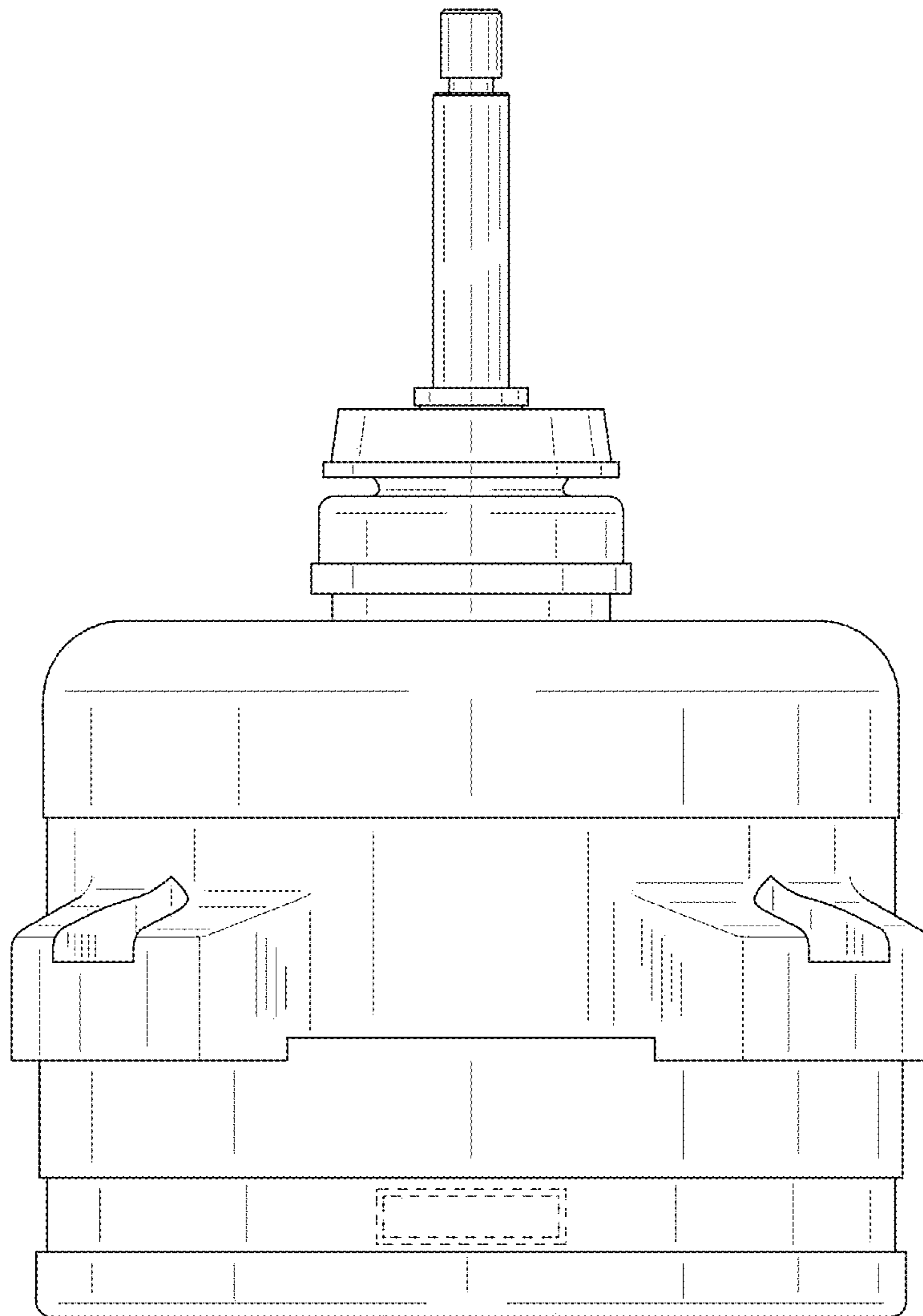


FIG. 9

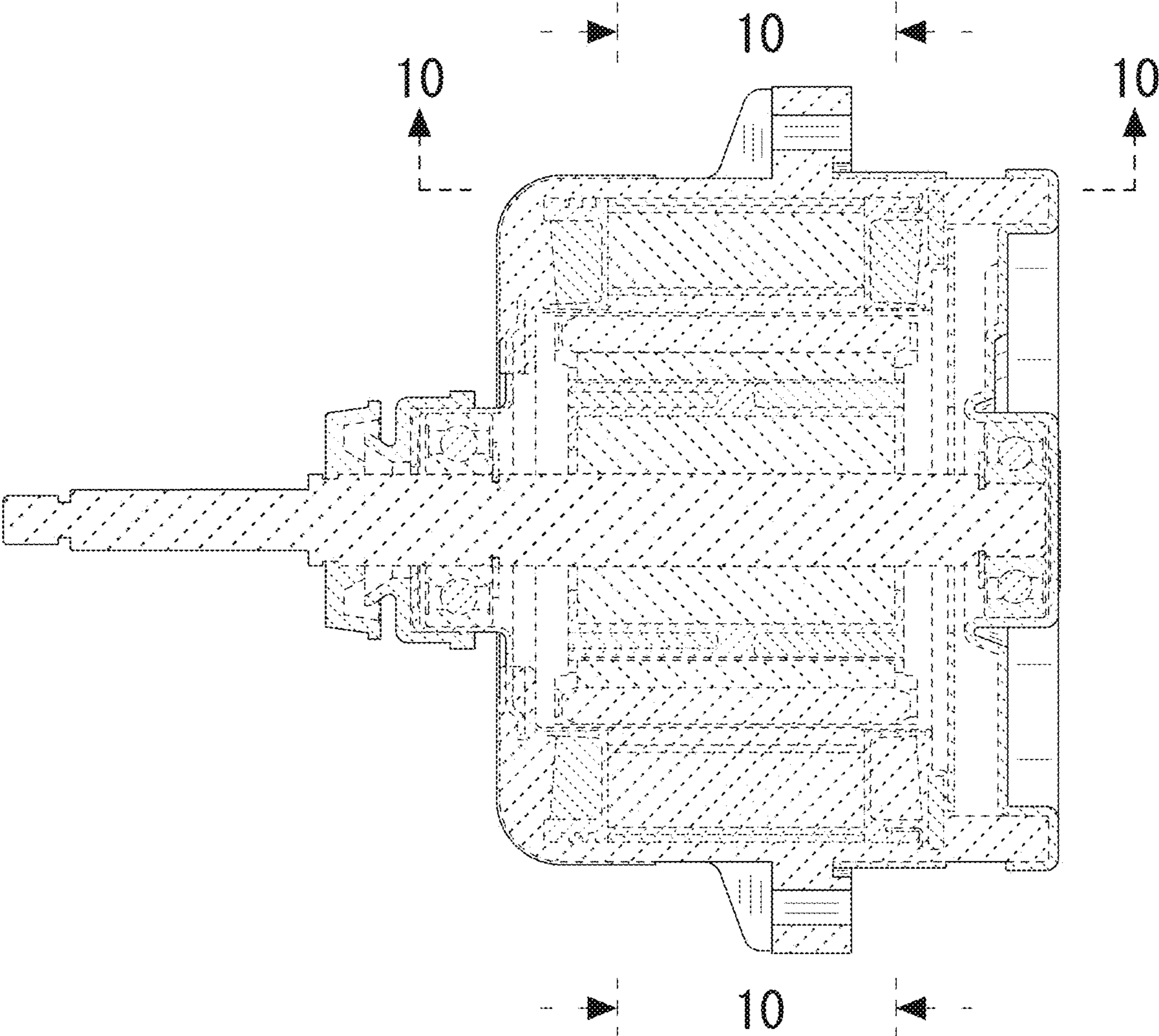


FIG. 10

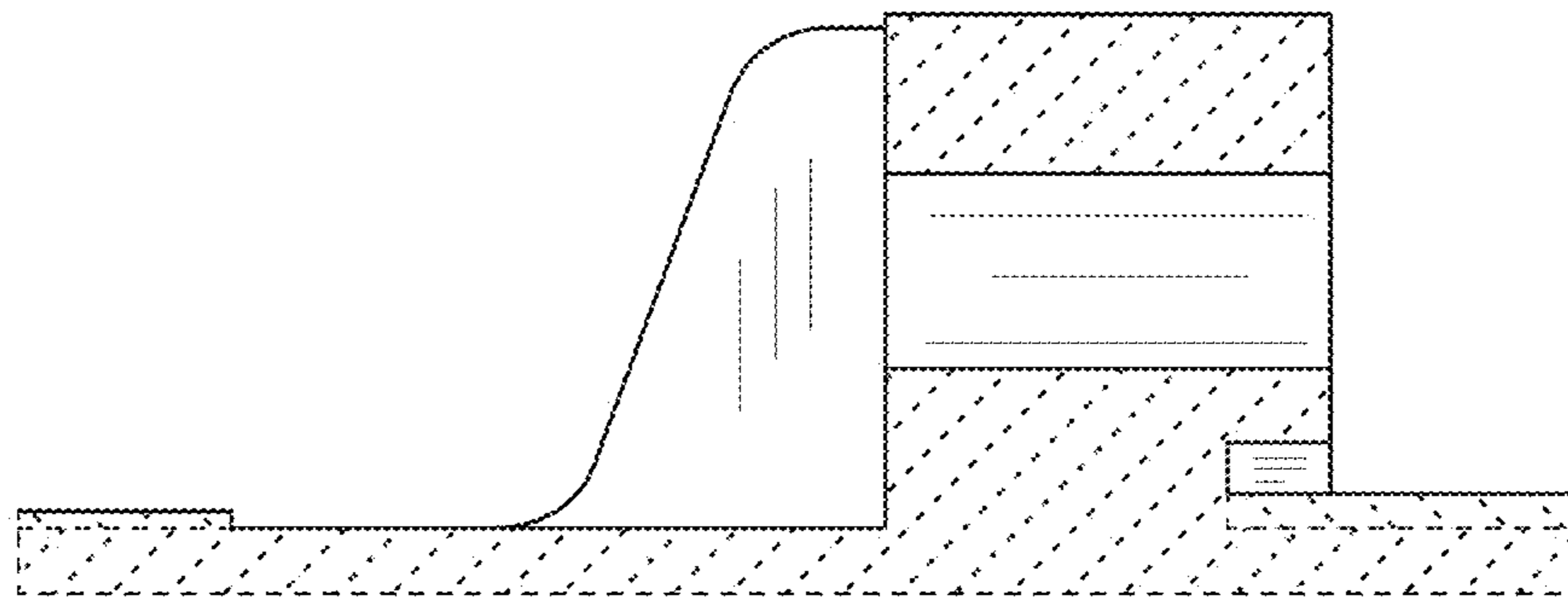


FIG. 11

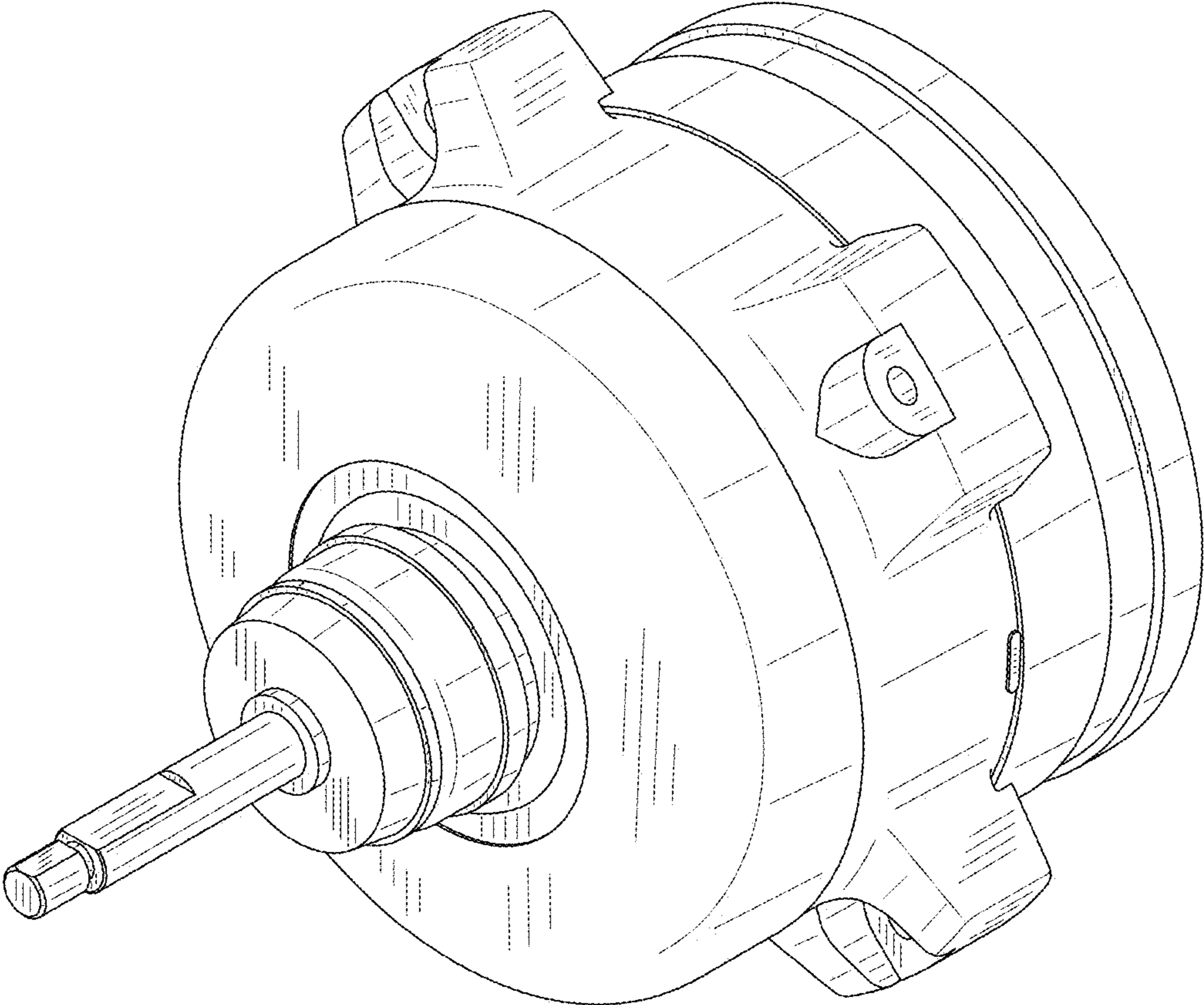


FIG. 12

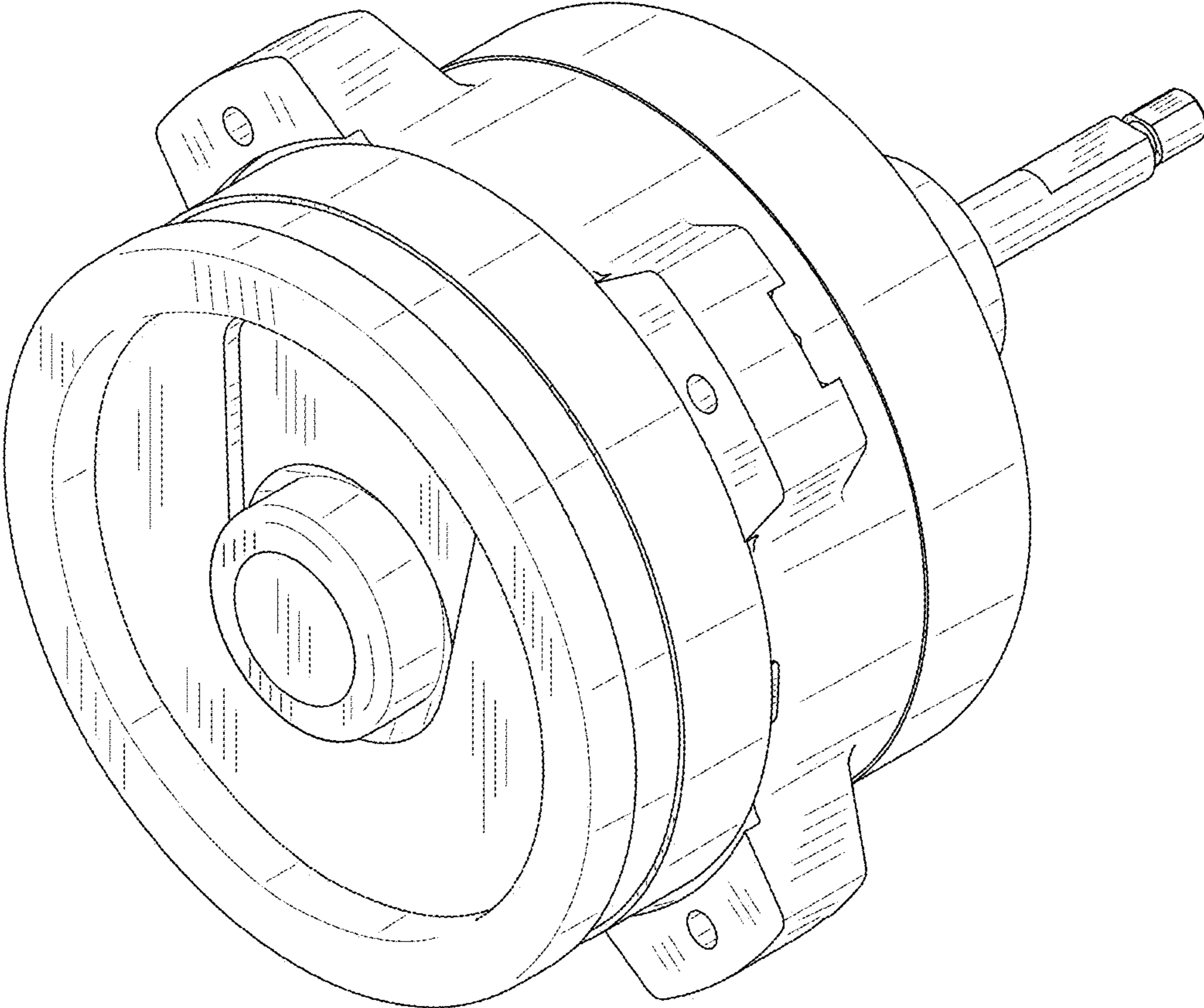


FIG. 13

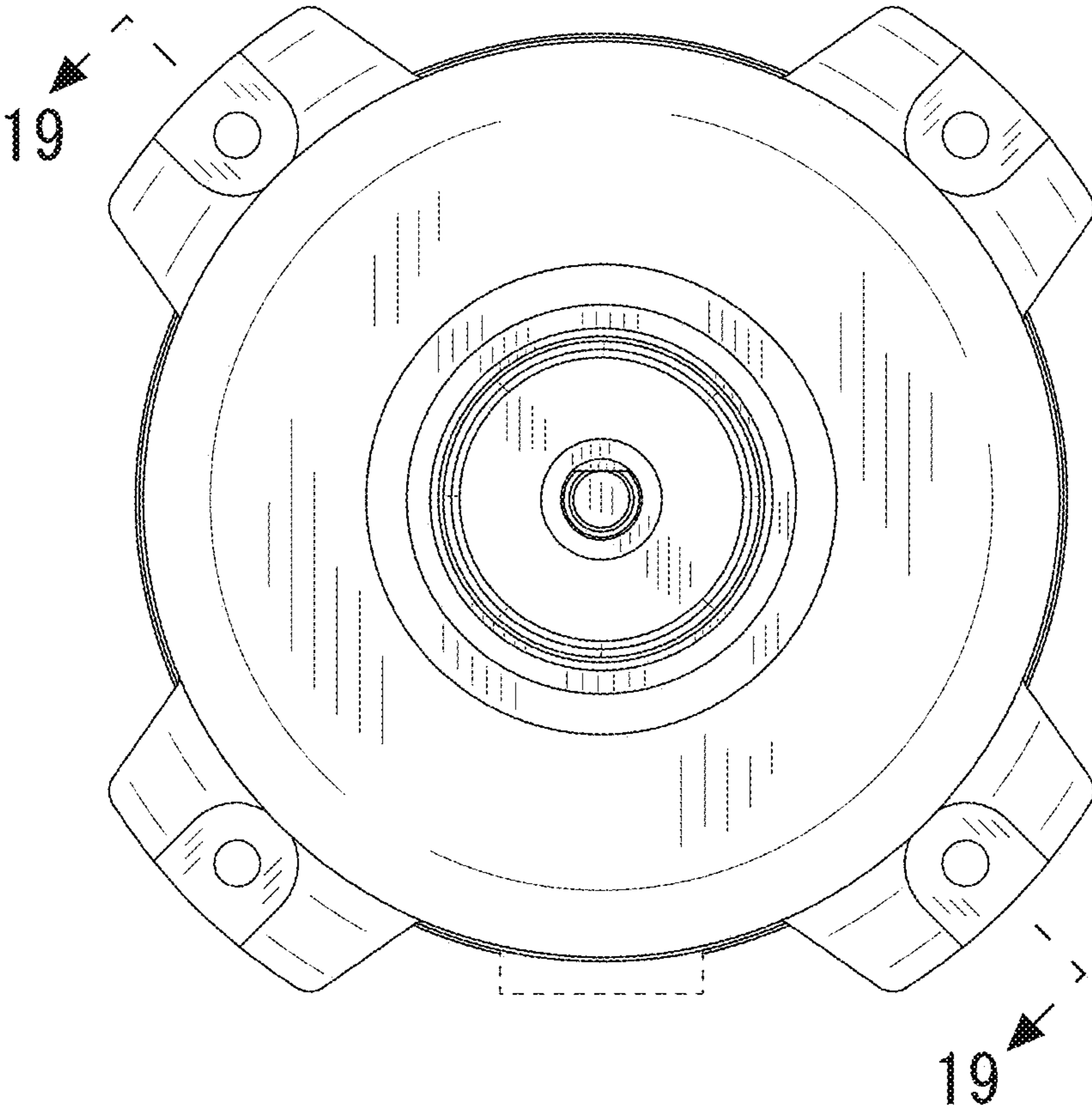


FIG. 14

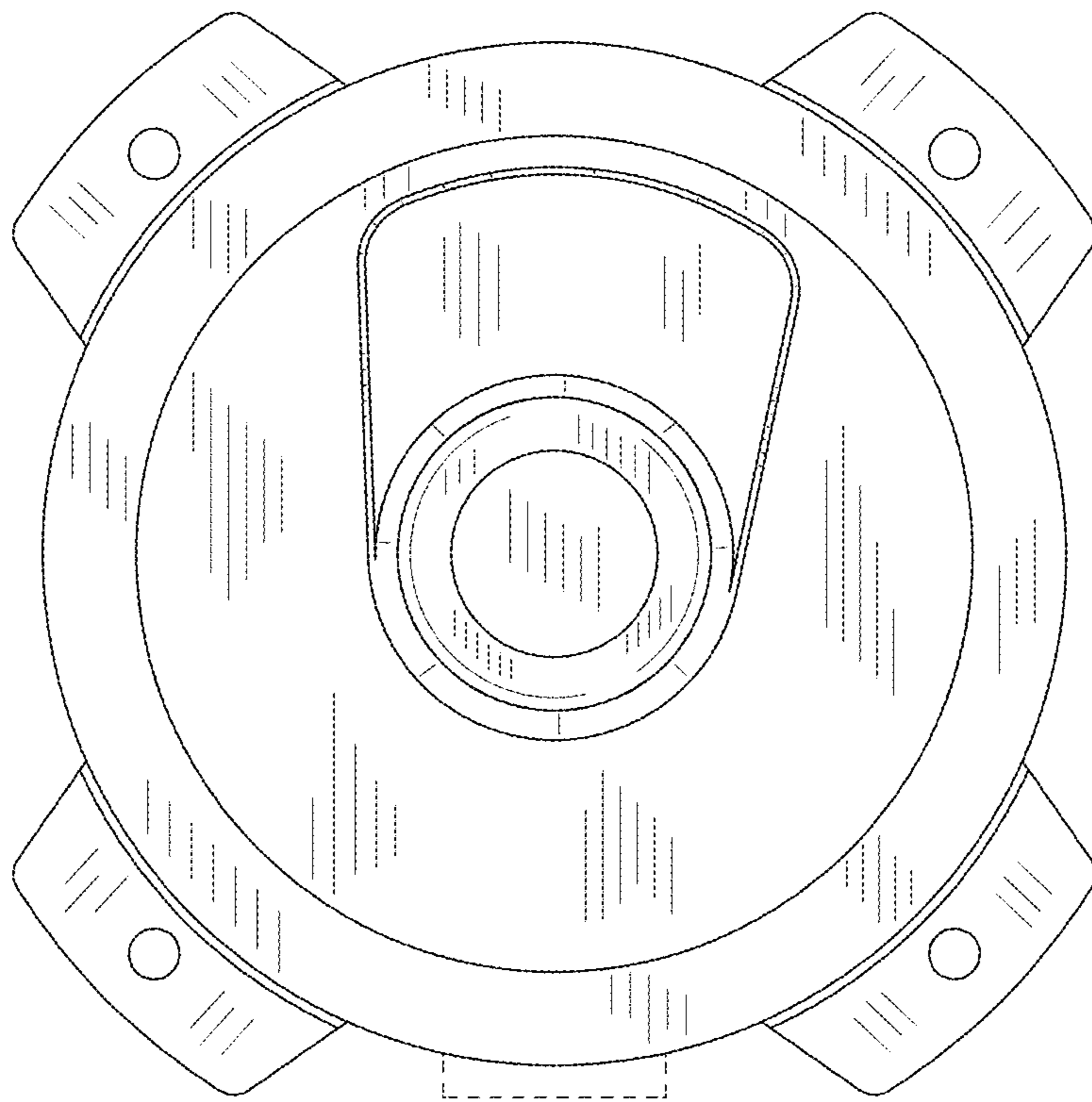


FIG. 15

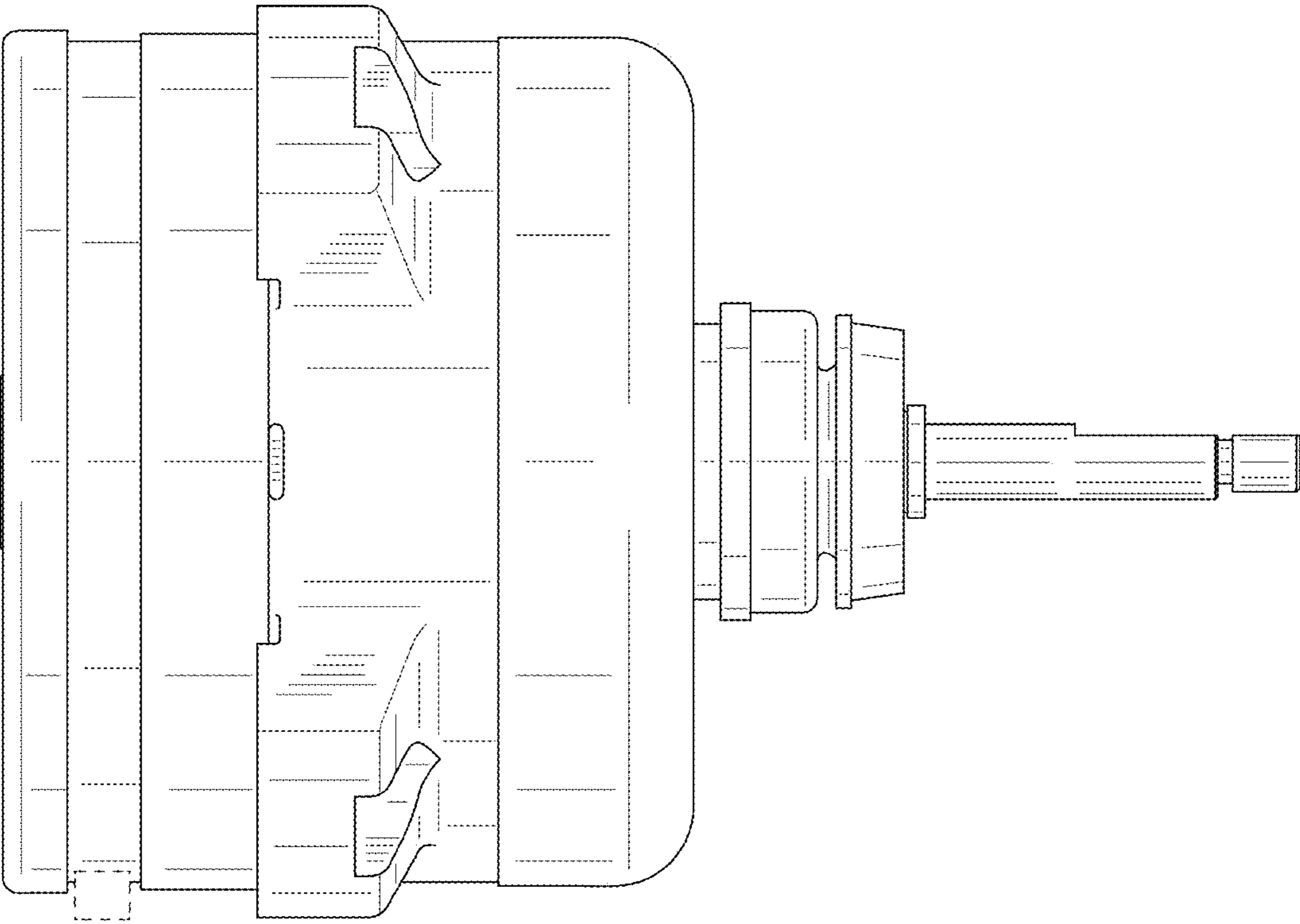


FIG. 16

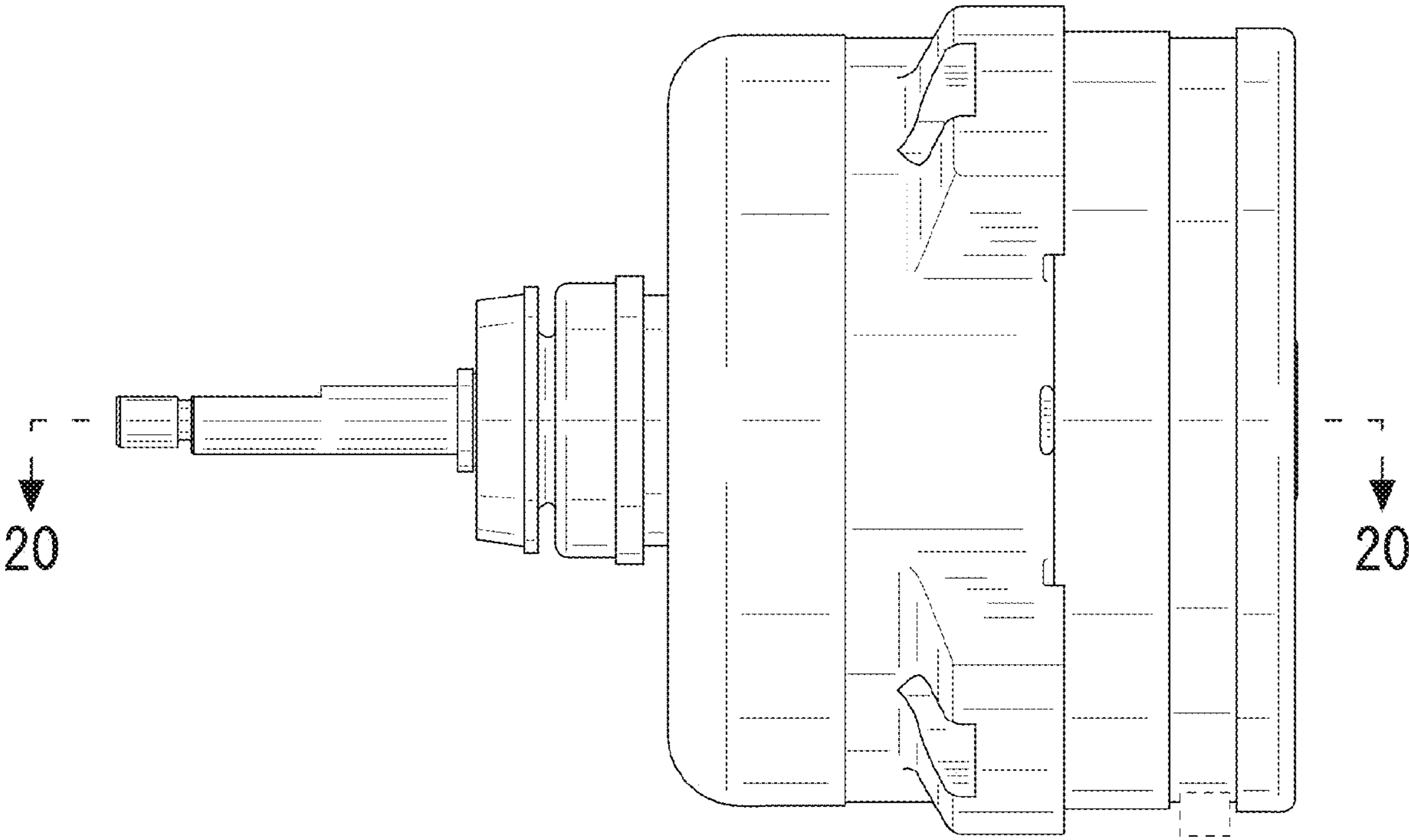


FIG. 17

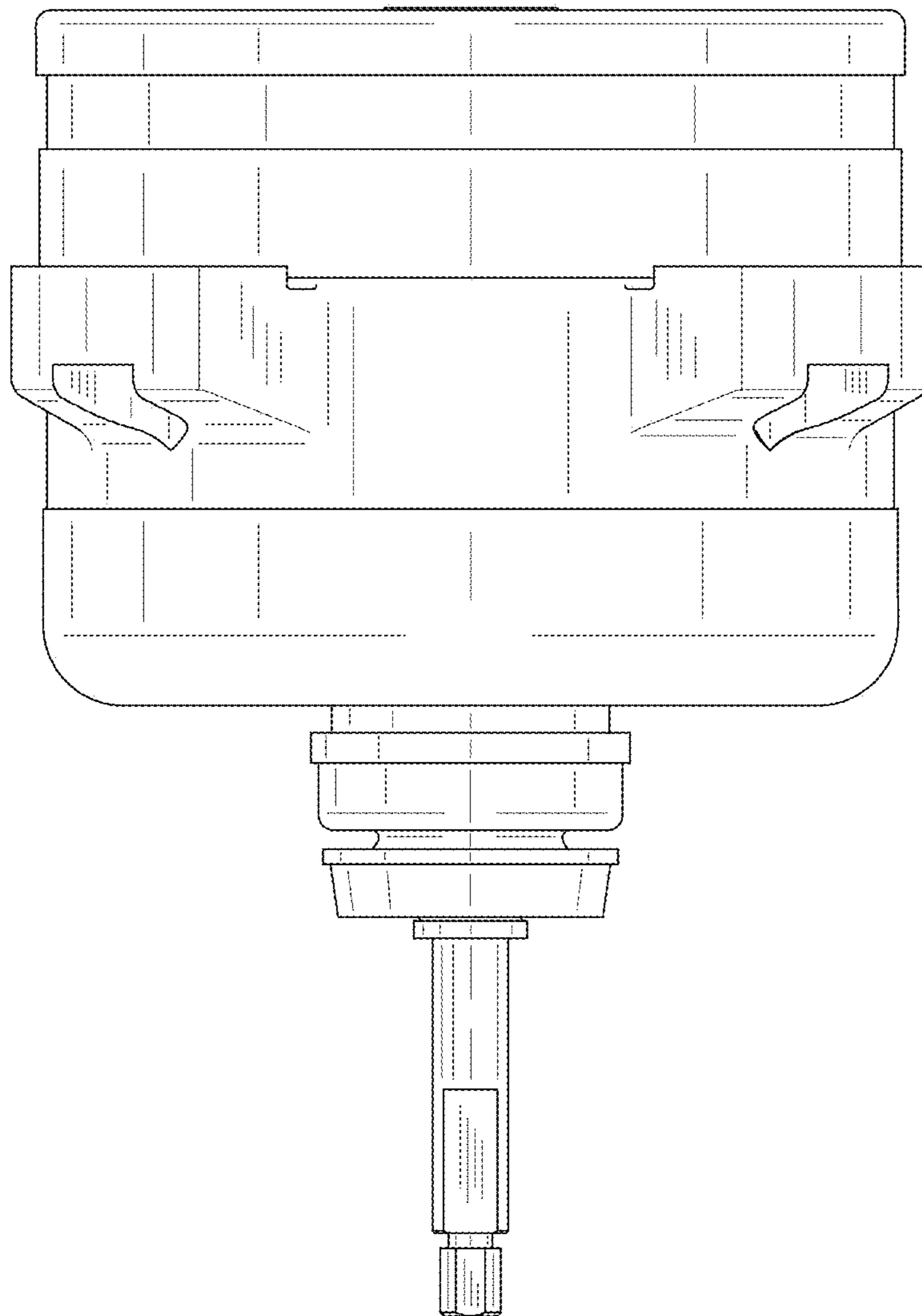


FIG. 18

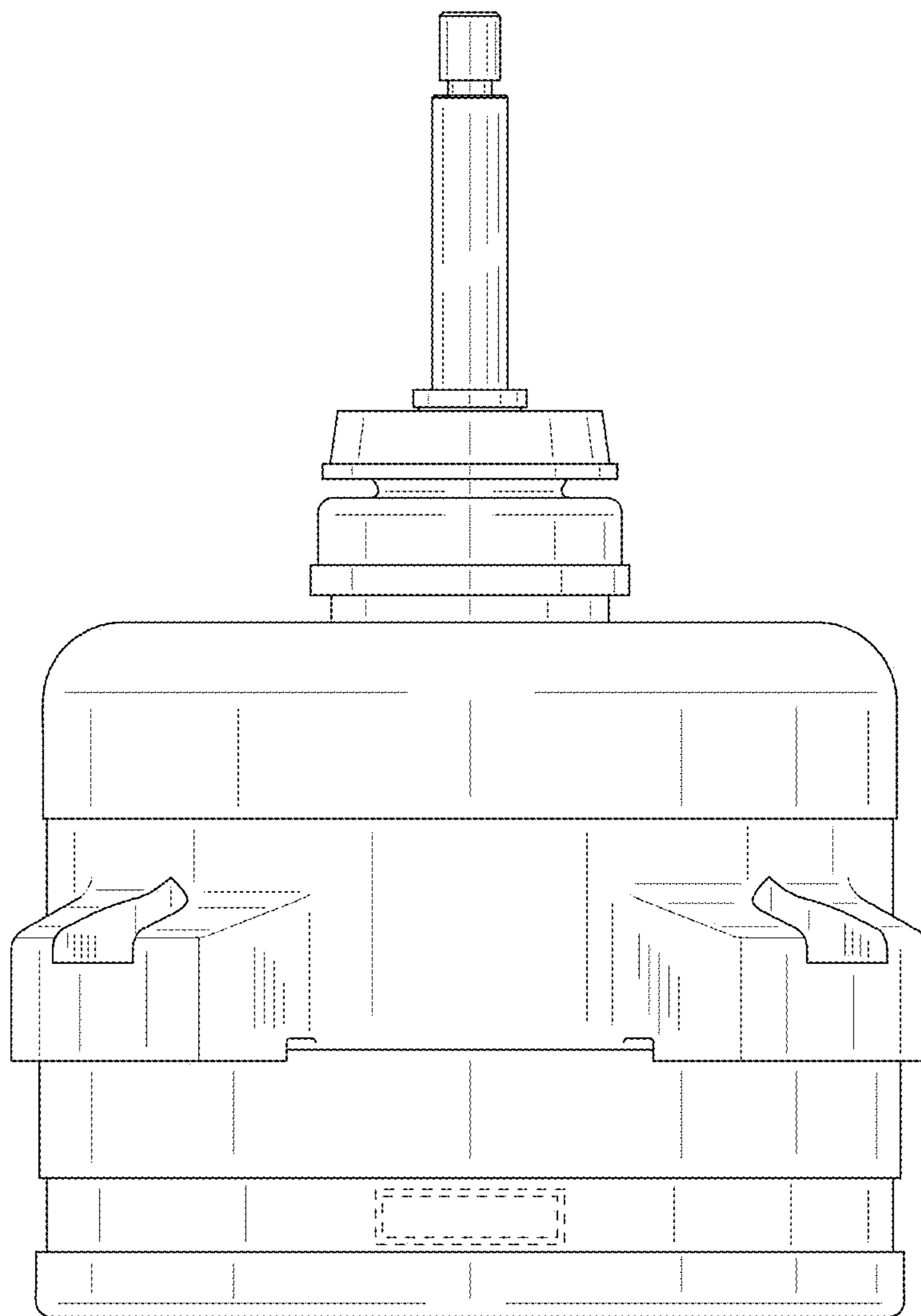


FIG. 19

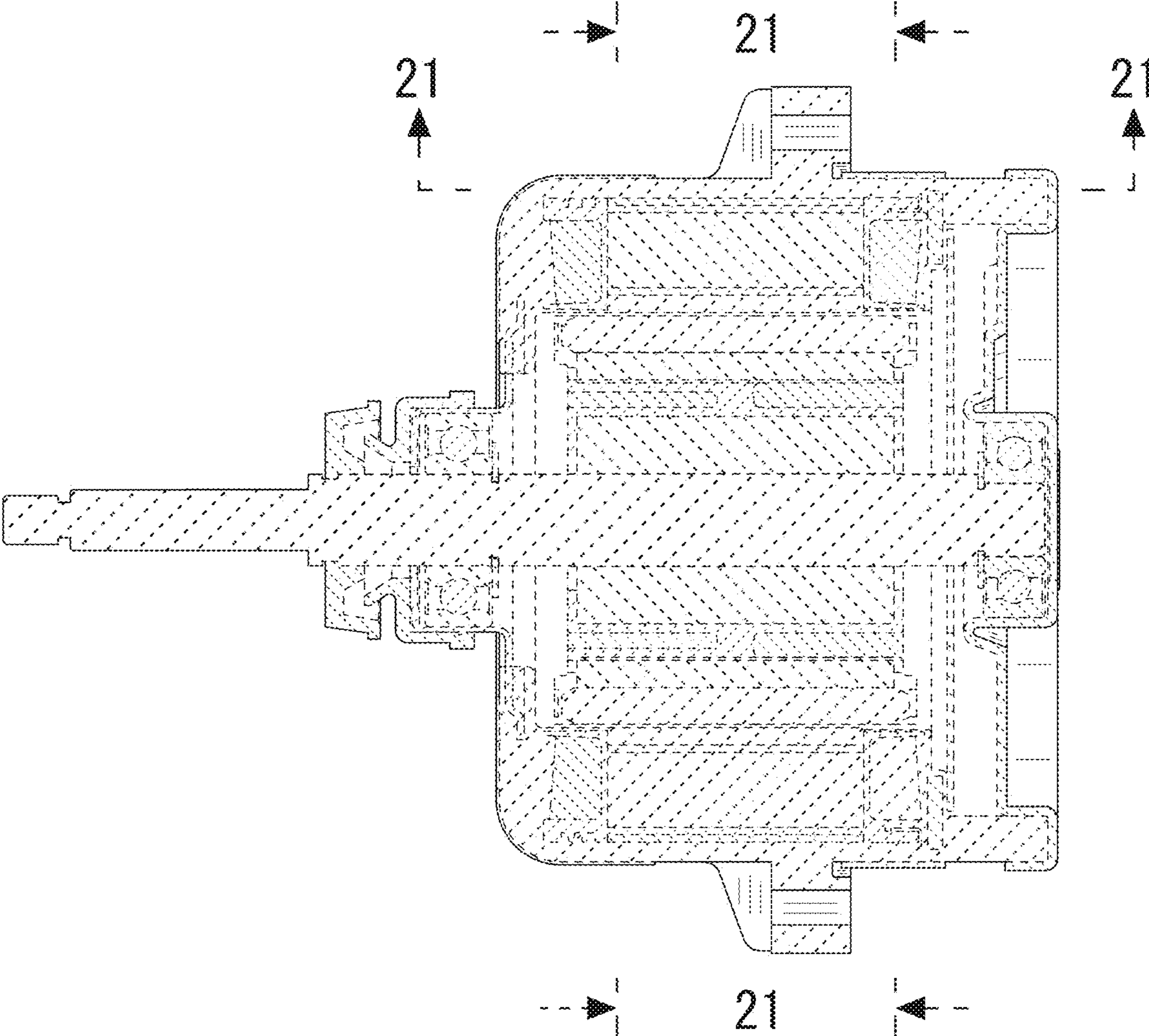


FIG. 20

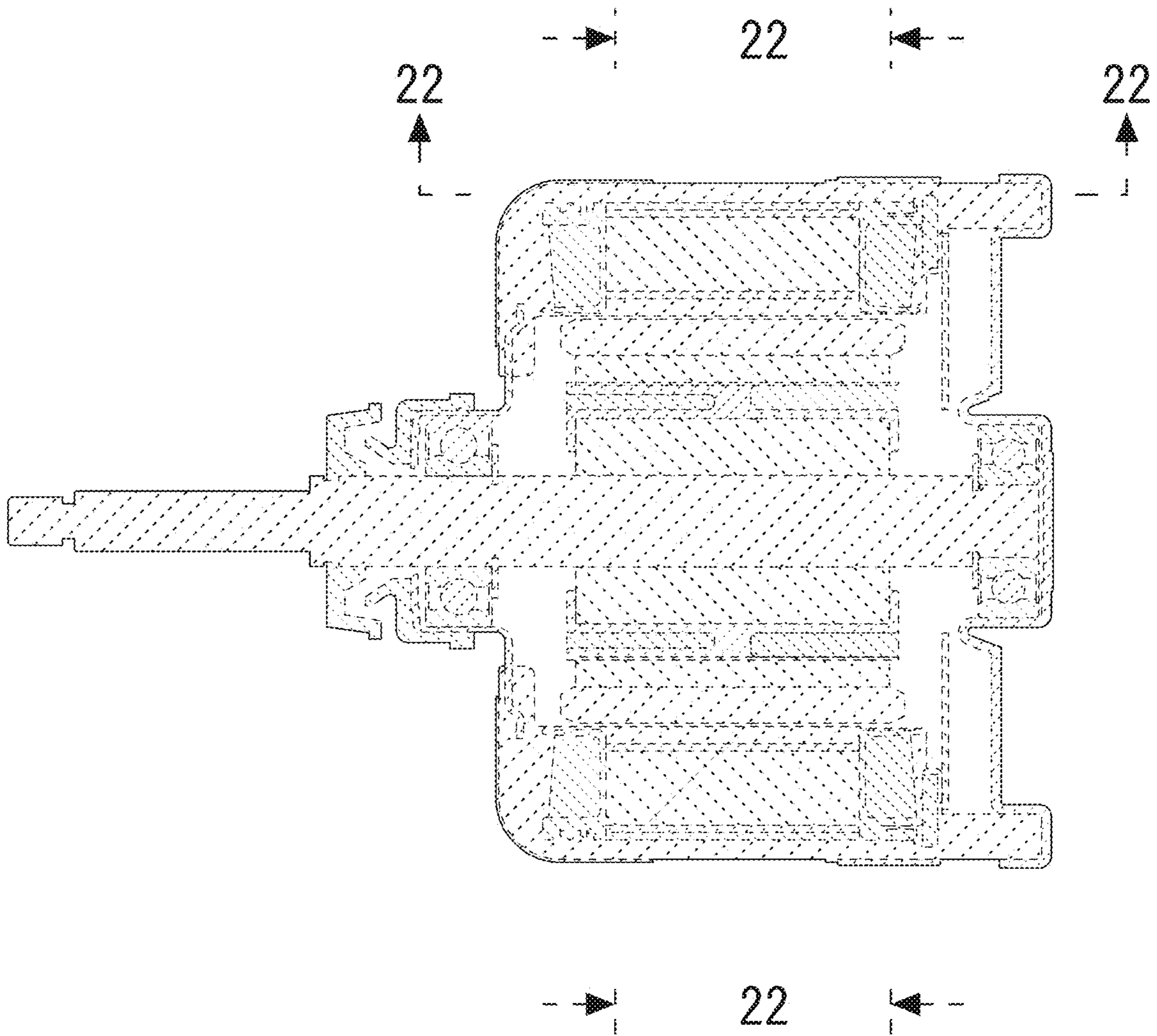


FIG. 21

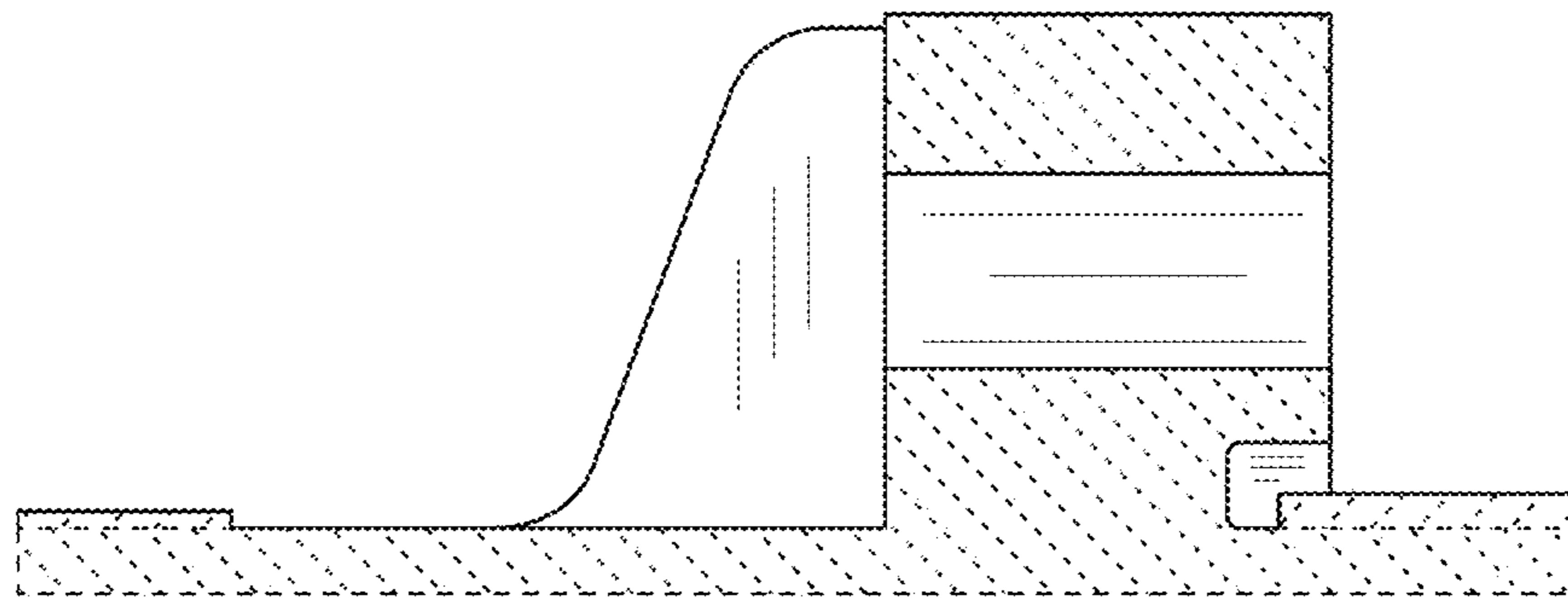


FIG. 22

