



US00D915277S

(12) **United States Design Patent**
Peng et al.

(10) **Patent No.:** **US D915,277 S**
(45) **Date of Patent:** **** Apr. 6, 2021**

- (54) **WIRELESS CHARGER**
- (71) Applicant: **Guanyu (Shenzhen) Electronic Technology Co., Ltd., Shenzhen (CN)**
- (72) Inventors: **Cong Peng, Shenzhen (CN); Fei Zou, Shenzhen (CN)**
- (**) Term: **15 Years**
- (21) Appl. No.: **29/751,911**
- (22) Filed: **Sep. 24, 2020**
- (51) **LOC (13) Cl.** **13-02**
- (52) **U.S. Cl.**
USPC **D13/108**
- (58) **Field of Classification Search**
USPC D13/103, 107-110, 118-119, 184, 199;
D14/251, 253, 432, 434
CPC .. H02J 50/00; H02J 50/10; H02J 50/12; H02J
50/80; H02J 7/025; H02J 7/005; H02J
7/0026; H02J 7/0042; H02J 7/0044; H02J
7/0045; H02J 7/0013; H02J 7/0003; H02J
50/40; H02J 50/402; H02J 7/007; H02J
7/0027
See application file for complete search history.

D858,437 S *	9/2019	Lu	D13/108
D870,041 S *	12/2019	Choi	D13/108
D873,216 S *	1/2020	Zhang	D13/108
D875,043 S *	2/2020	Yi	D13/108
D875,679 S *	2/2020	Yi	D13/108
D877,072 S *	3/2020	Yin	D13/108
D879,035 S *	3/2020	Li	D13/108
D881,123 S *	4/2020	Zhang	D13/108
D884,621 S *	5/2020	Feng	D13/108
D884,622 S *	5/2020	Huang	D13/108
D886,056 S *	6/2020	Zhang	D13/108
D889,403 S *	7/2020	Li	D13/108
D892,046 S *	8/2020	Peng	D13/108
D905,042 S *	12/2020	Lim	D14/253

* cited by examiner

Primary Examiner — Rosemary K Tarcza
(74) *Attorney, Agent, or Firm* — ZANIP

(57) **CLAIM**

The ornamental design for a wireless charger, as shown and described.

DESCRIPTION

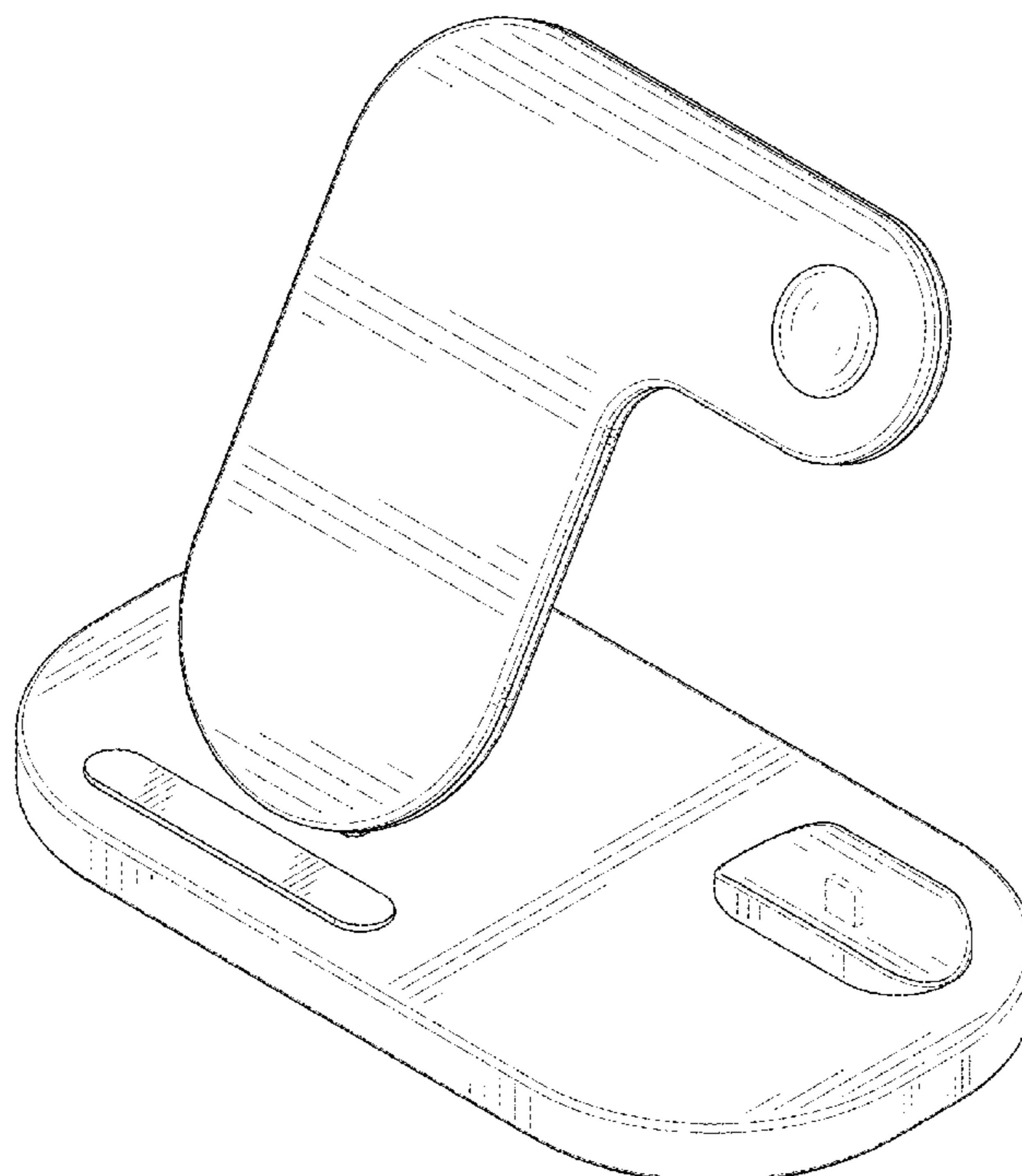
FIG. 1 is a front and top perspective view of a wireless charger, showing our new design;
FIG. 2 is a rear and bottom perspective view thereof;
FIG. 3 is a front elevational view thereof;
FIG. 4 is a rear elevational view thereof;
FIG. 5 is a left side elevational view thereof;
FIG. 6 is a right side elevational view thereof;
FIG. 7 is a top plan view thereof; and,
FIG. 8 is a bottom plan view thereof.
The broken lines in the figures illustrate portions of the article that form no part of the claimed design.

1 Claim, 8 Drawing Sheets

(56) **References Cited**

U.S. PATENT DOCUMENTS

D813,805 S *	3/2018	Zhong	D13/108
D814,413 S *	4/2018	Zhong	D13/108
D826,851 S *	8/2018	Wang	D13/108
D839,190 S *	1/2019	Xie	D13/108
D845,896 S	4/2019	Hu		
D852,134 S *	6/2019	Mei	D13/108
D852,135 S *	6/2019	Mei	D13/108



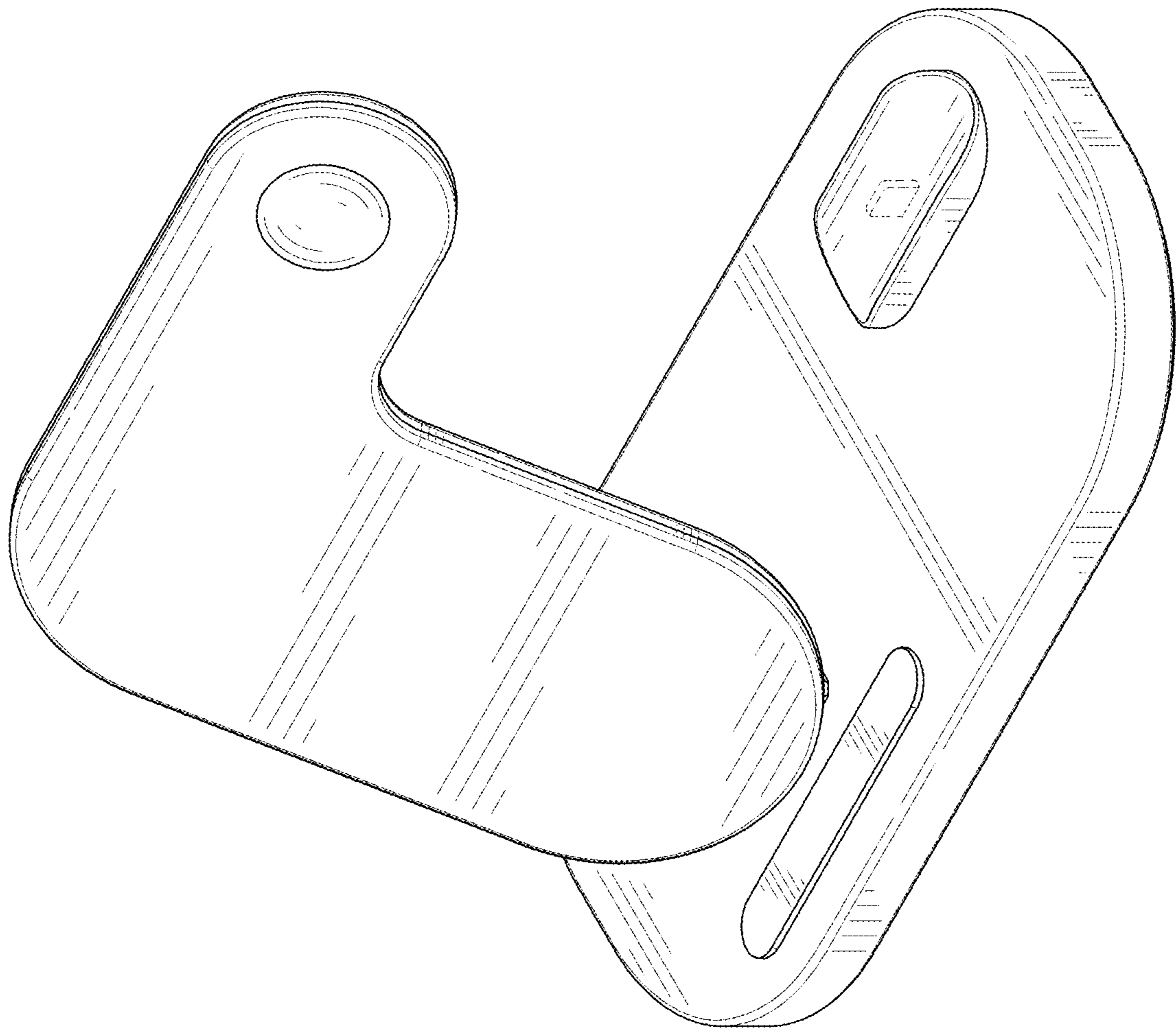


FIG. 1

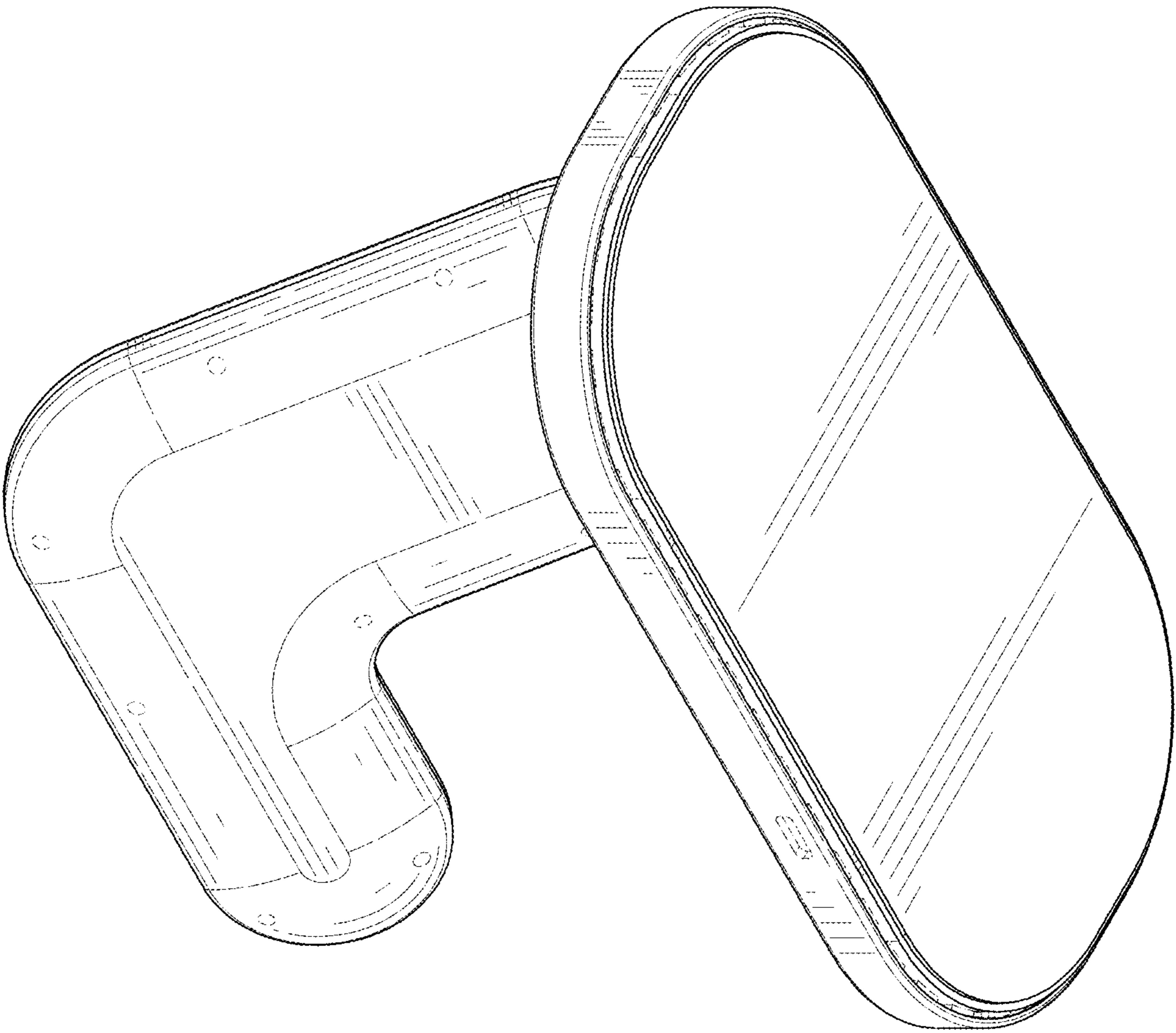


FIG. 2

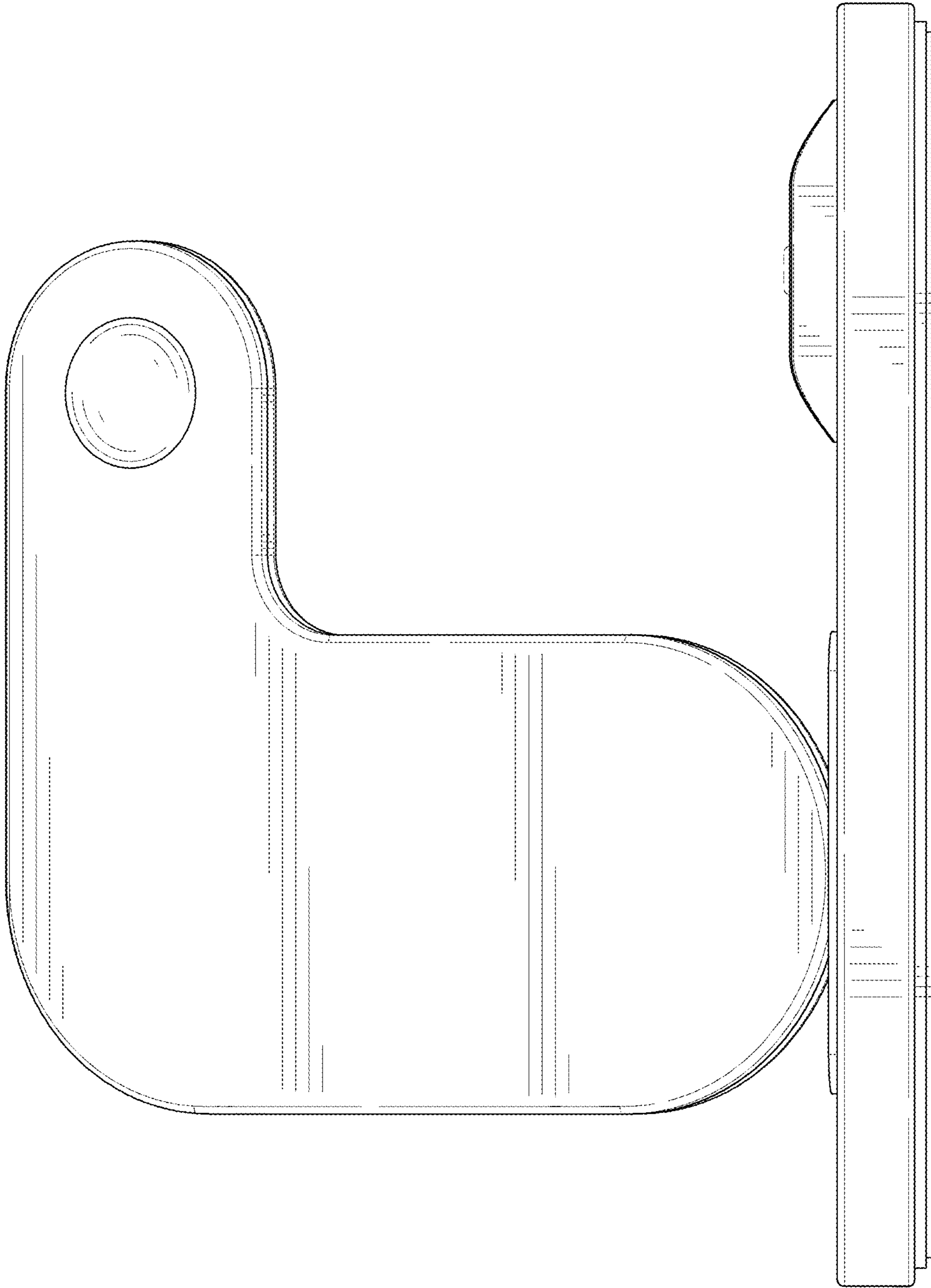


FIG. 3

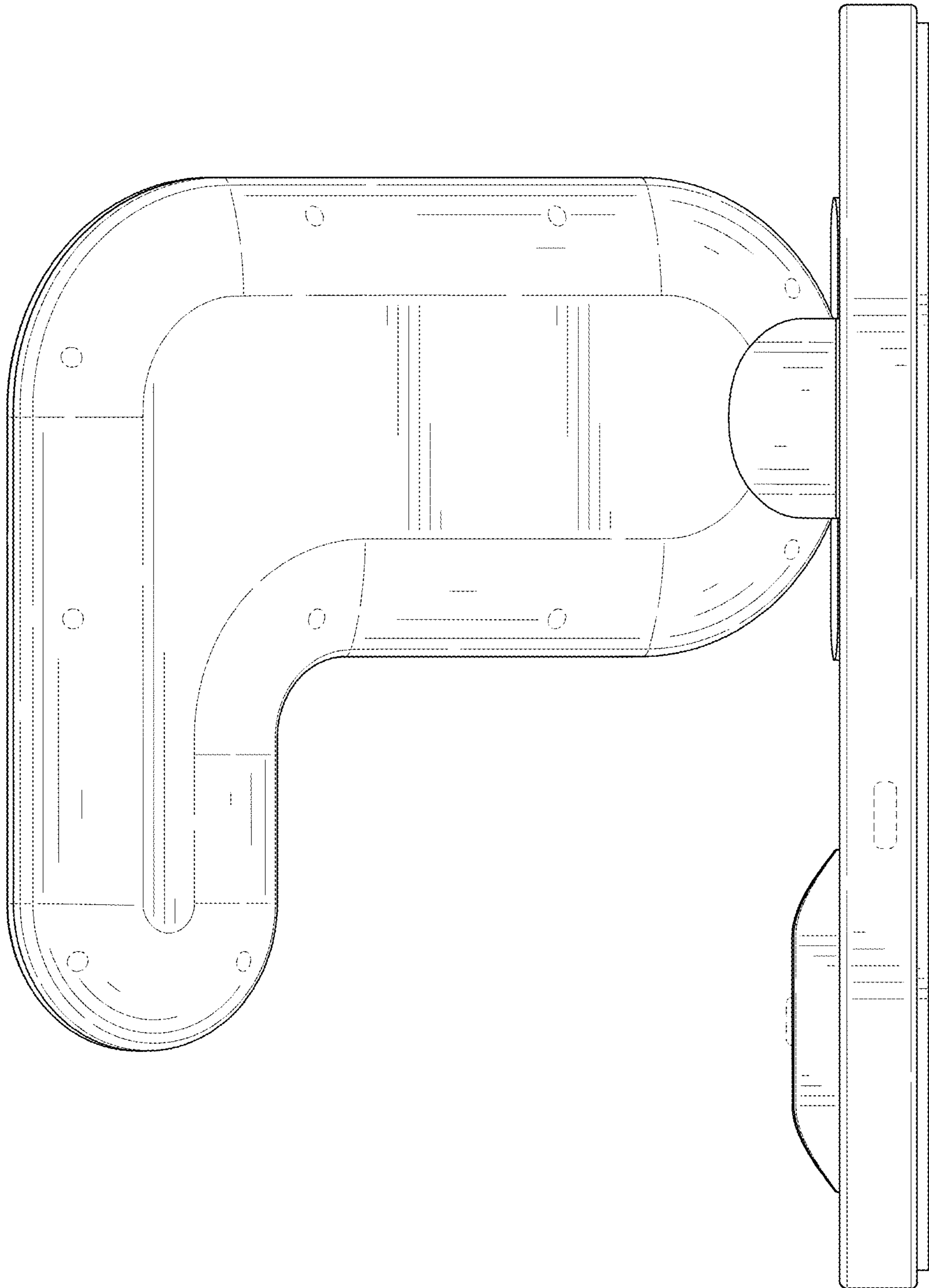


FIG. 4

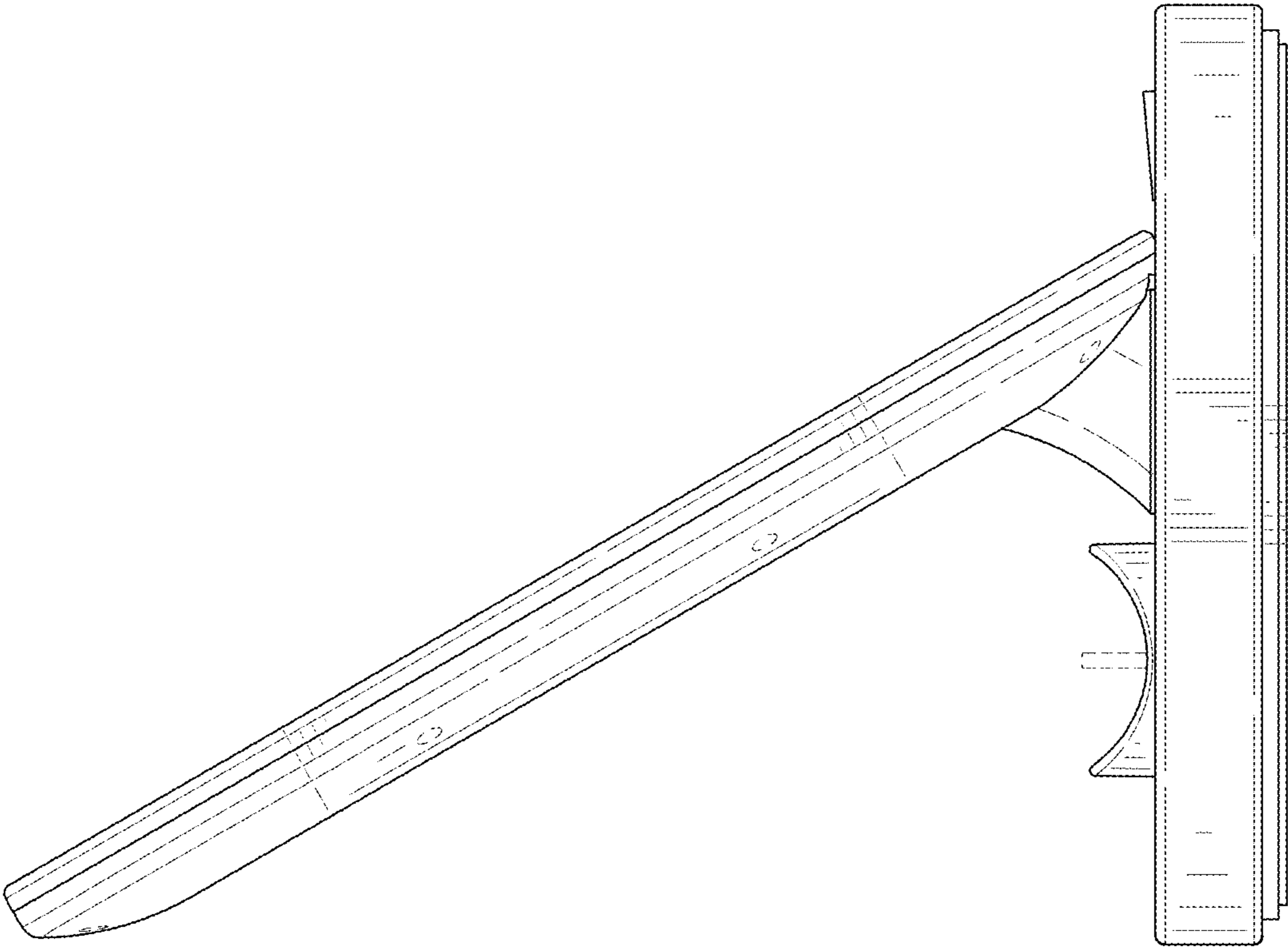


FIG. 5

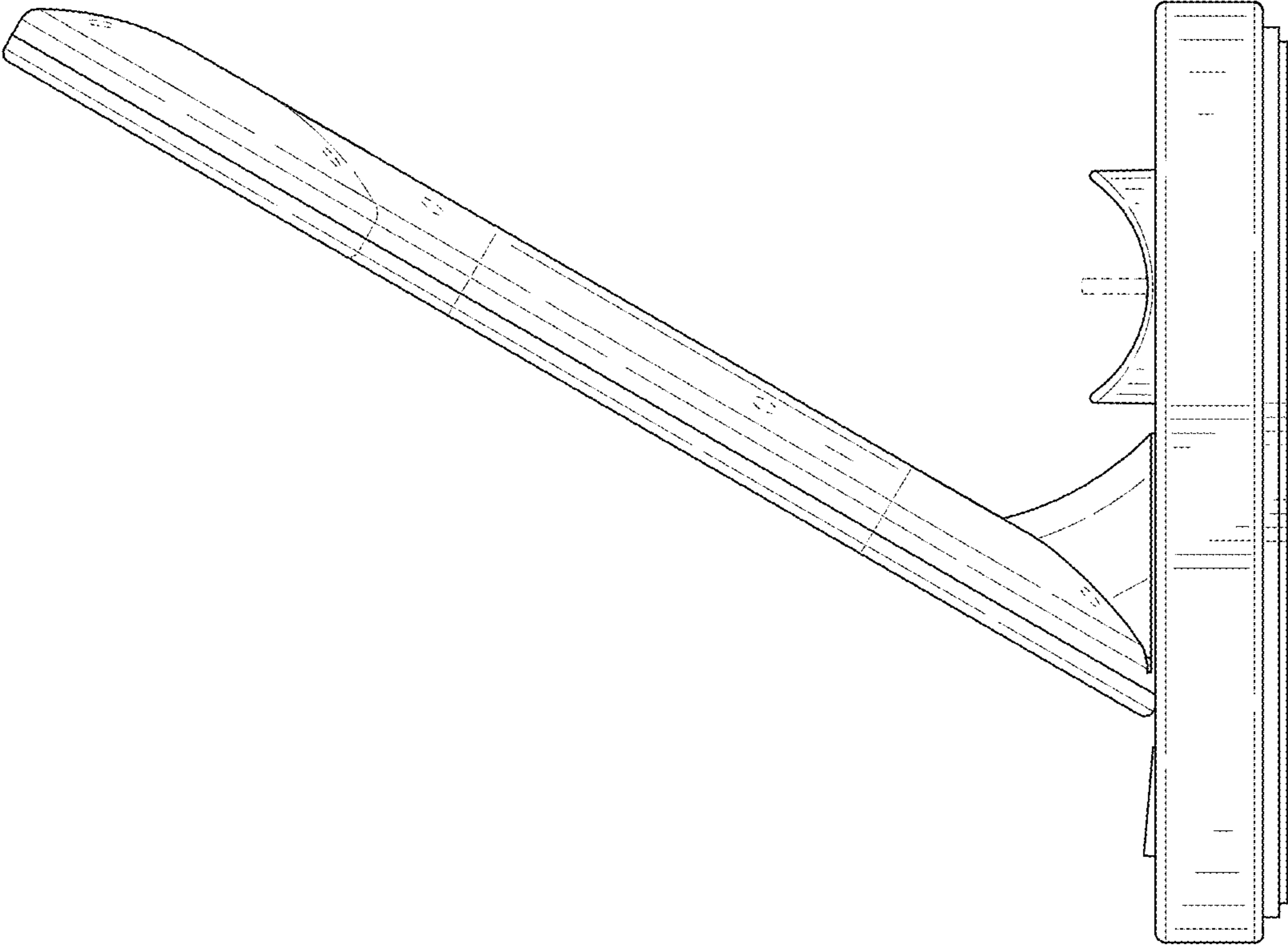


FIG. 6

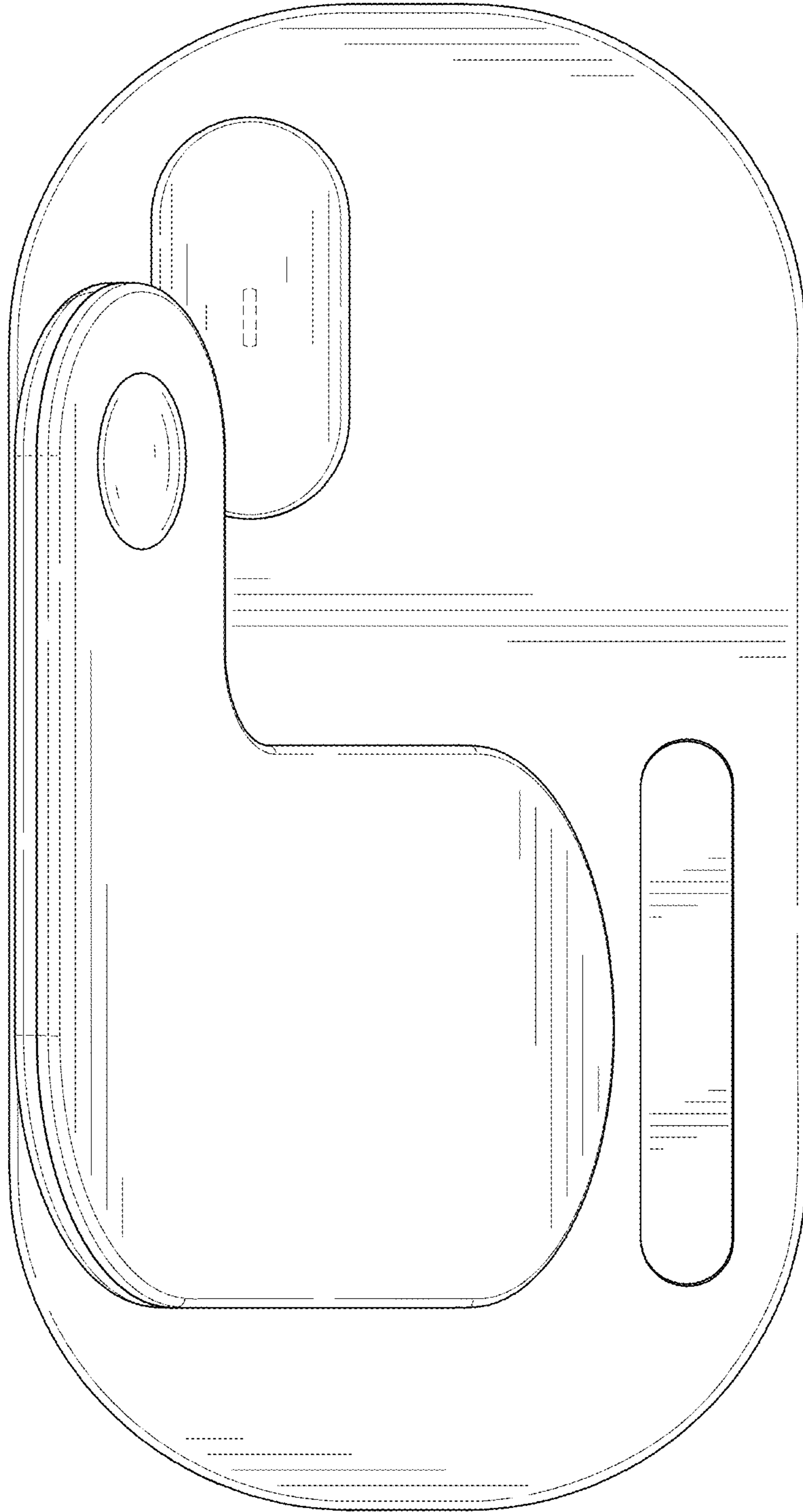


FIG. 7

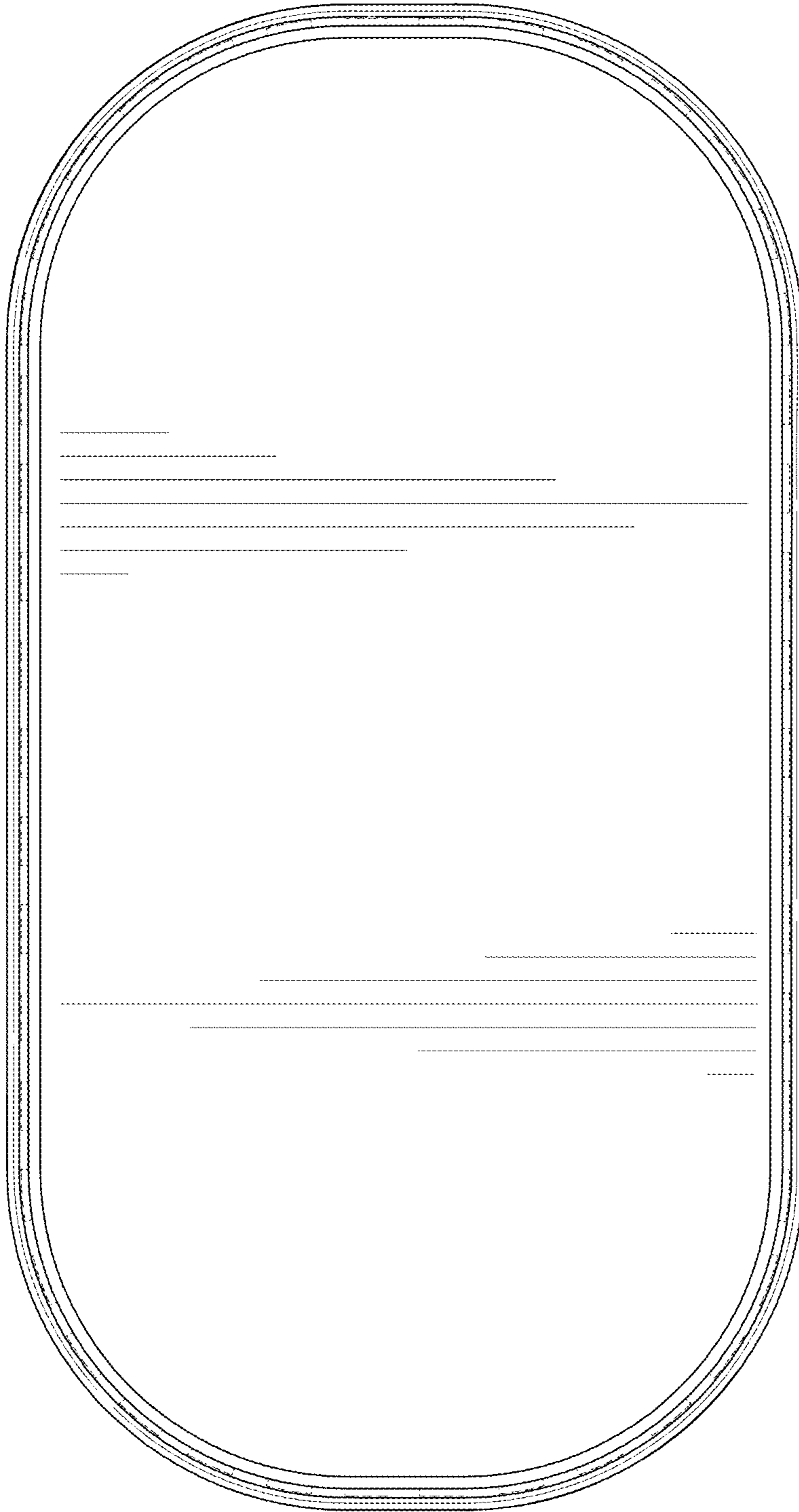


FIG. 8