



US00D915272S

(12) **United States Design Patent**  
**Cunning**

(10) **Patent No.:** **US D915,272 S**

(45) **Date of Patent:** **\*\* Apr. 6, 2021**

(54) **SOLAR CHARGING STATION**

(71) Applicant: **Dalia Cunning**, Stratford, CT (US)

(72) Inventor: **Dalia Cunning**, Stratford, CT (US)

(\*\*) Term: **15 Years**

(21) Appl. No.: **29/723,819**

(22) Filed: **Feb. 11, 2020**

(51) **LOC (13) Cl.** ..... **13-02**

(52) **U.S. Cl.**  
USPC ..... **D13/102**

(58) **Field of Classification Search**

USPC ..... D13/102, 101, 103, 110, 107, 108, 199  
CPC ..... H01L 31/00; H01L 31/042; H01L 31/045;  
H01L 31/048; H01L 31/052; H01L  
31/0475; H01L 31/0485; H01M 10/052;  
H01M 10/465; H02S 30/10; H02S 30/20;  
H02S 10/40; Y02E 10/50; Y02E 10/52;  
Y10S 136/291; Y10S 136/293; H02J 7/35

See application file for complete search history.

(56) **References Cited**

**U.S. PATENT DOCUMENTS**

7,679,312	B2	3/2010	Toya et al.	
7,893,657	B2	2/2011	Chavakula	
8,111,034	B2	2/2012	Fowler	
8,319,470	B2	11/2012	English	
D708,570	S	7/2014	Martin	
D755,119	S *	5/2016	Munshi	D13/102
D814,401	S *	4/2018	Cheung	D13/102
D827,564	S *	9/2018	Zhang	D13/102

D830,296	S *	10/2018	Liu	D13/102
2007/0222410	A1 *	9/2007	Lee	H01L 31/0236 320/101
2009/0320898	A1 *	12/2009	Gumm	F24S 25/15 136/245
2011/0273133	A1	11/2011	Sala	
2013/0240015	A1 *	9/2013	Chaimovski	H02S 10/40 136/245
2013/0285593	A1	10/2013	Chu	

**FOREIGN PATENT DOCUMENTS**

WO 2011100262 A1 8/2011

\* cited by examiner

*Primary Examiner* — Derrick E Holland

(57) **CLAIM**

I claim the ornamental design for a solar charging station, as shown and described.

**DESCRIPTION**

FIG. 1 is a front view of a solar charging station showing the new design;

FIG. 2 is a rear view thereof;

FIG. 3 is a left side view thereof;

FIG. 4 is a right side view thereof;

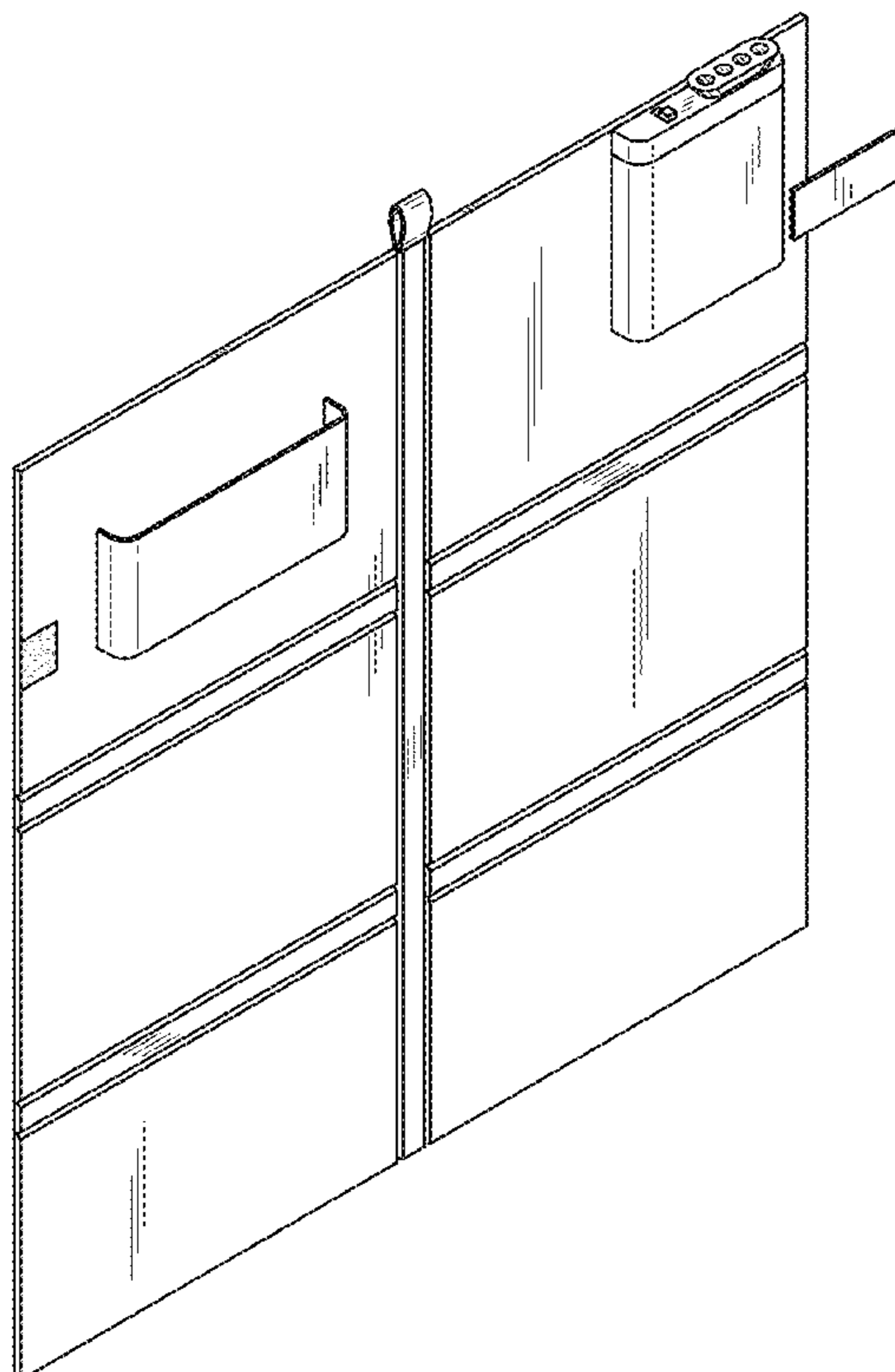
FIG. 5 is a top plan view thereof;

FIG. 6 is a bottom plan view thereof;

FIG. 7 is a perspective view thereof; and,

FIG. 8 is a top plan view thereof, in a folded position.

**1 Claim, 4 Drawing Sheets**



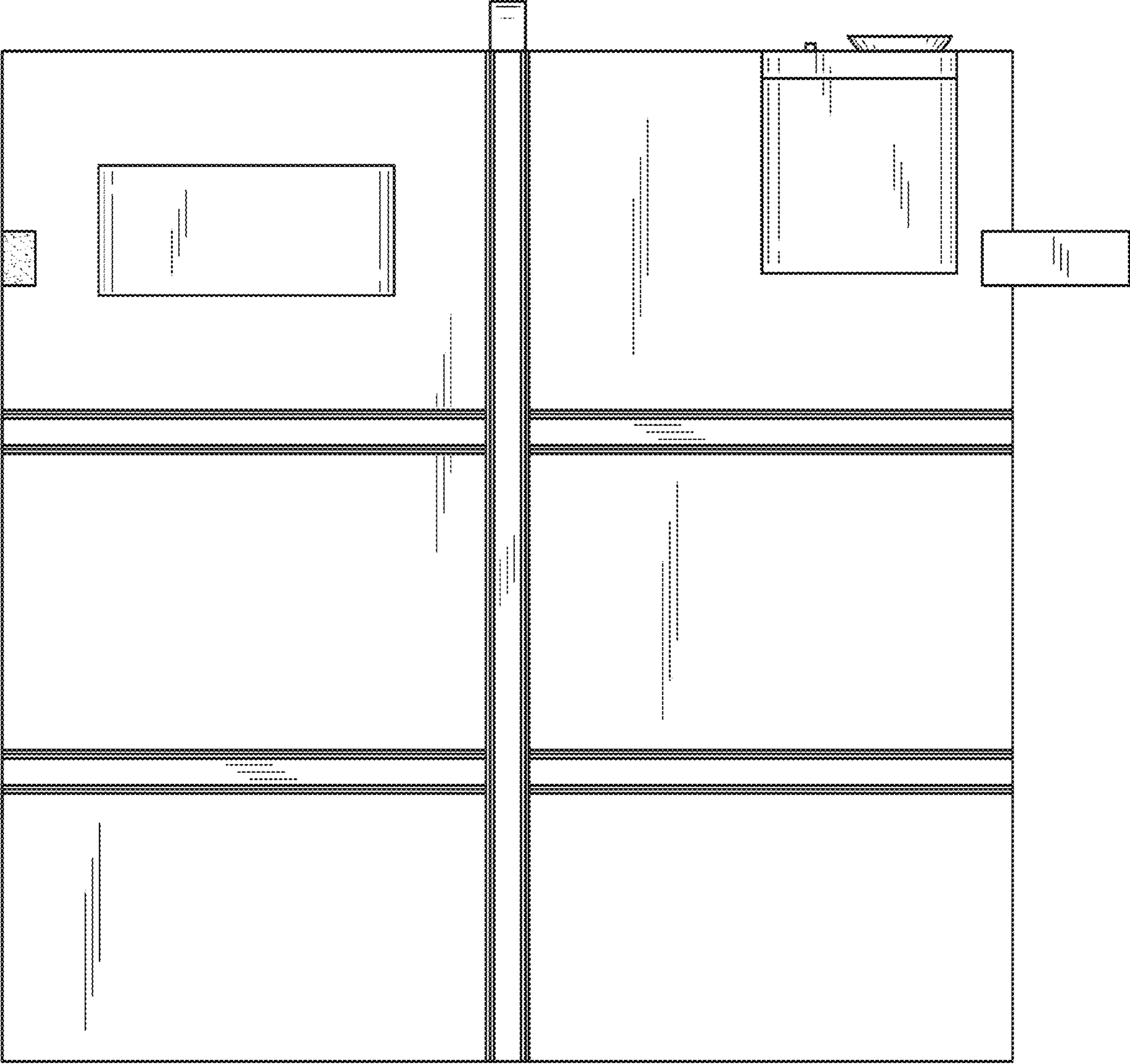


FIG. 1

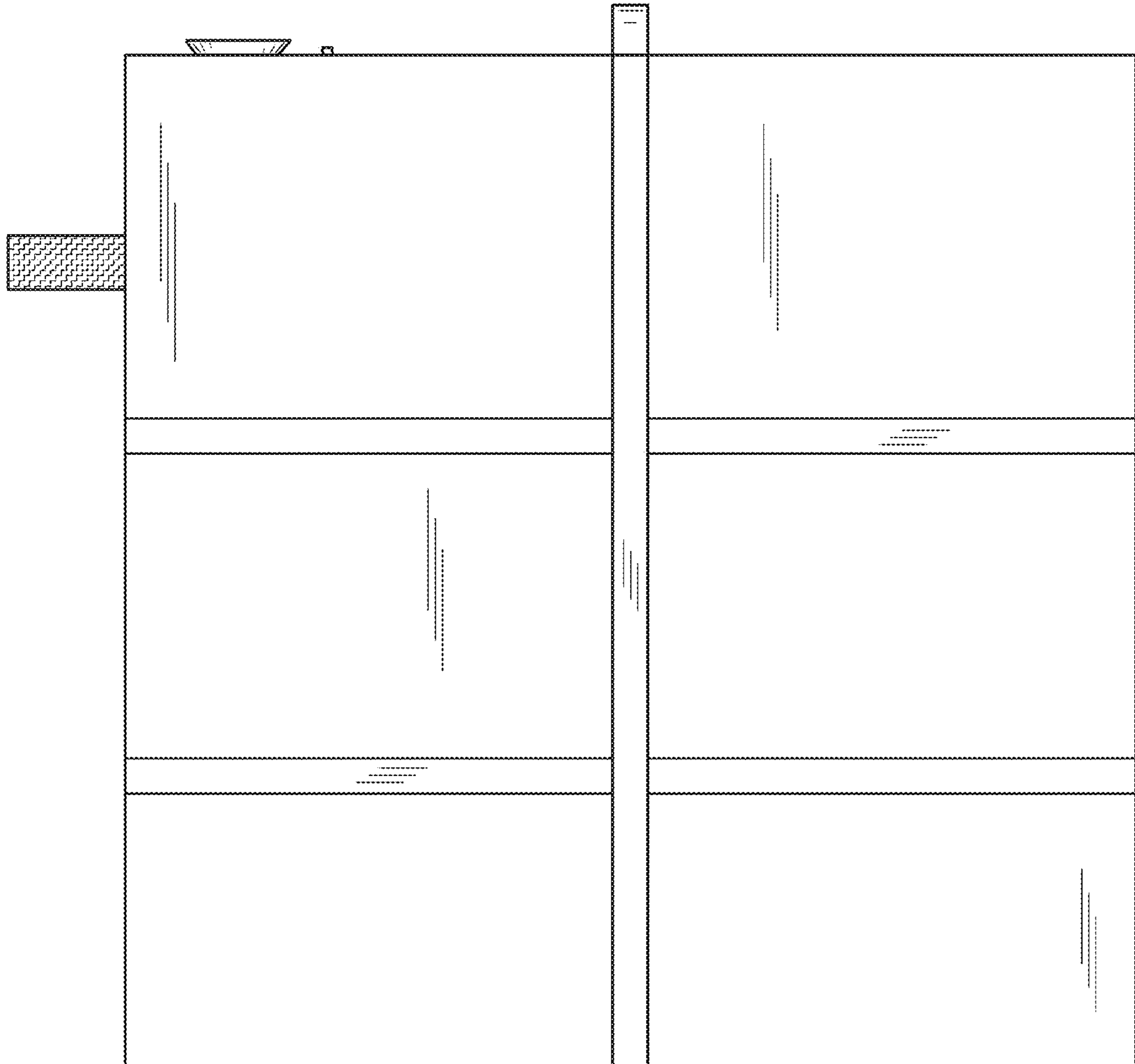


FIG. 2

FIG. 3



FIG. 4

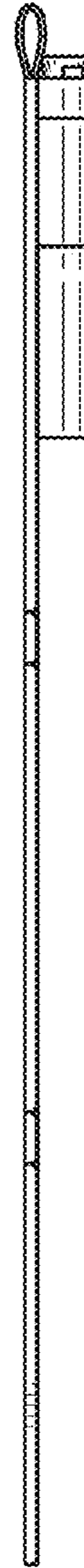


FIG. 5

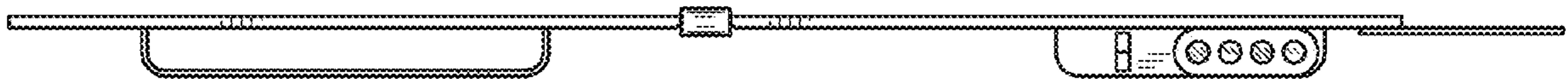


FIG. 6

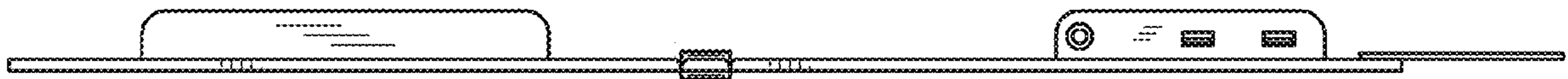


FIG. 7

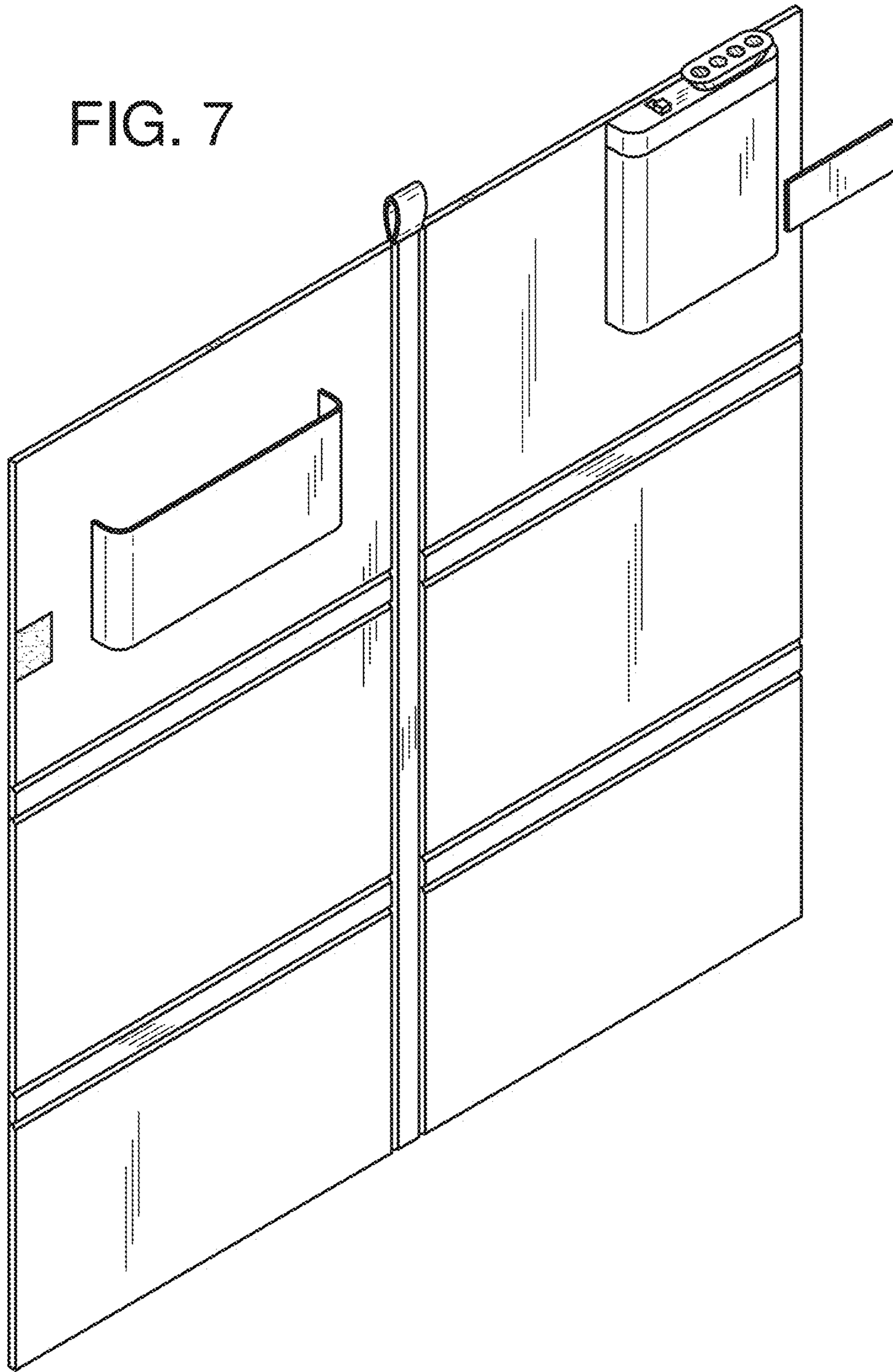


FIG. 8

