



US00D915271S

(12) **United States Design Patent**
Kuwahara

(10) **Patent No.:** **US D915,271 S**
(45) **Date of Patent:** **** Apr. 6, 2021**

(54) **AUTOMOBILE TIRE**
(71) Applicant: **THE YOKOHAMA RUBBER CO., LTD.**, Tokyo (JP)

D681,547 S * 5/2013 Sato D12/605
D695,211 S * 12/2013 Yasunaga D12/605
D754,063 S * 4/2016 Iwabuchi D12/605
D777,094 S * 1/2017 Takahashi D12/605
D778,816 S * 2/2017 Tokizaki D12/605

(72) Inventor: **Noboru Kuwahara**, Tokyo (JP)
(73) Assignee: **THE YOKOHAMA RUBBER CO., LTD.**, Tokyo (JP)

(Continued)
Primary Examiner — Michelle E. Wilson
Assistant Examiner — Clese Moore, Jr.
(74) *Attorney, Agent, or Firm* — Banner & Witcoff, Ltd.

(**) Term: **15 Years**

(57) **CLAIM**
The ornamental design for an automobile tire, as shown and described.

(21) Appl. No.: **29/706,574**

(22) Filed: **Sep. 20, 2019**

DESCRIPTION

(30) **Foreign Application Priority Data**

Mar. 22, 2019 (JP) 2019-006100

(51) **LOC (13) Cl.** **12-15**

(52) **U.S. Cl.**
USPC **D12/605**

(58) **Field of Classification Search**
USPC D12/604, 605
CPC B60C 13/00; B60C 1/00
See application file for complete search history.

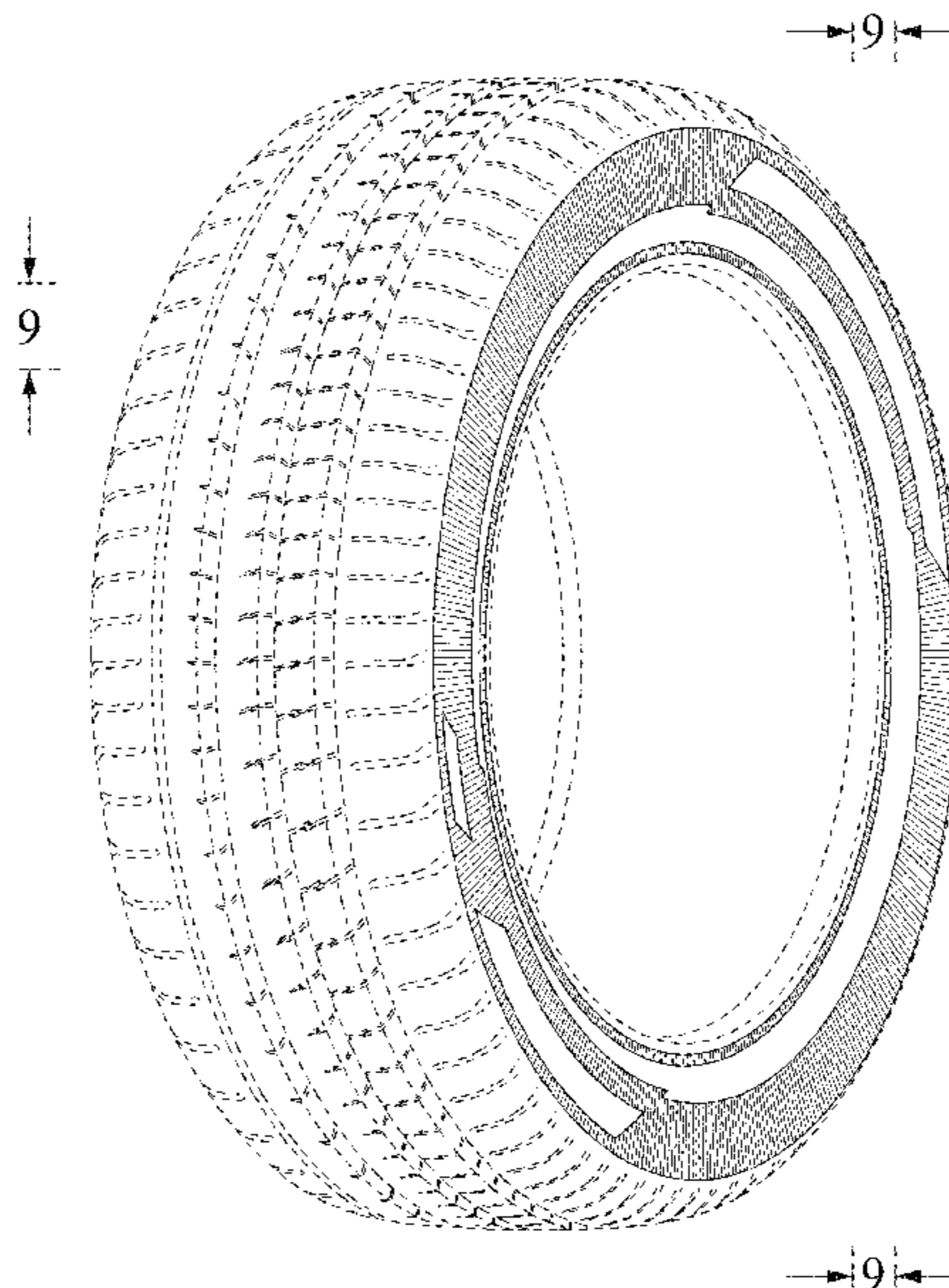
FIG. 1 is a perspective view showing front and right sides of an automobile tire showing my design;
FIG. 2 is a perspective view showing front and left sides thereof;
FIG. 3 is a front view thereof;
FIG. 4 is a rear view thereof;
FIG. 5 is a right side view thereof;
FIG. 6 is a left side view thereof;
FIG. 7 is a top view thereof;
FIG. 8 is a bottom view thereof;
FIG. 9 is a partially enlarged view of a portion defined by lines 9-9 shown in FIG. 1;
FIG. 10 is a partially enlarged view of a portion defined by lines 10-10 shown in FIG. 2;
FIG. 11 is a partially enlarged view of a portion defined by lines 11-11 shown in FIG. 5;
FIG. 12 is a partially enlarged view of a portion defined by lines 12-12 shown in FIG. 6;
FIG. 13 is a cross sectional view of a portion defined by lines 13-13 shown in FIG. 11; and,
FIG. 14 is a cross sectional view of a portion defined by lines 14-14 shown in FIG. 12.
In the drawings, the broken lines depict environmental subject matter only and form no part of the claimed design.

(56) **References Cited**

U.S. PATENT DOCUMENTS

D385,834 S * 11/1997 Ratliff, Jr. D12/605
D517,003 S * 3/2006 Shondel D12/605
D593,487 S * 6/2009 Takahashi D12/605
D608,275 S * 1/2010 Maxwell D12/605
D632,641 S * 2/2011 Sato D12/605
D650,323 S * 12/2011 Morito D12/605
D662,465 S * 6/2012 Takano D12/605
D662,466 S * 6/2012 Takano D12/605
D669,845 S * 10/2012 Iwabuchi D12/605
D671,066 S * 11/2012 Morito D12/605
D671,067 S * 11/2012 Yasunaga D12/605
D674,744 S * 1/2013 Miyazaki D12/605

1 Claim, 14 Drawing Sheets



(56)

References Cited

U.S. PATENT DOCUMENTS

D791,694 S *	7/2017	Sato	D12/605
D792,340 S *	7/2017	Iwabuchi	D12/605
D800,646 S *	10/2017	Sato	D12/605
D822,590 S *	7/2018	Maxwell	D12/605
D829,162 S *	9/2018	Sano	D12/605
D830,292 S *	10/2018	Baggetta	D12/605
D838,665 S *	1/2019	Kujime	D12/605
D847,736 S *	5/2019	Yasunaga	D12/605
D859,303 S *	9/2019	Taniguchi	D12/605

* cited by examiner

FIG. 1

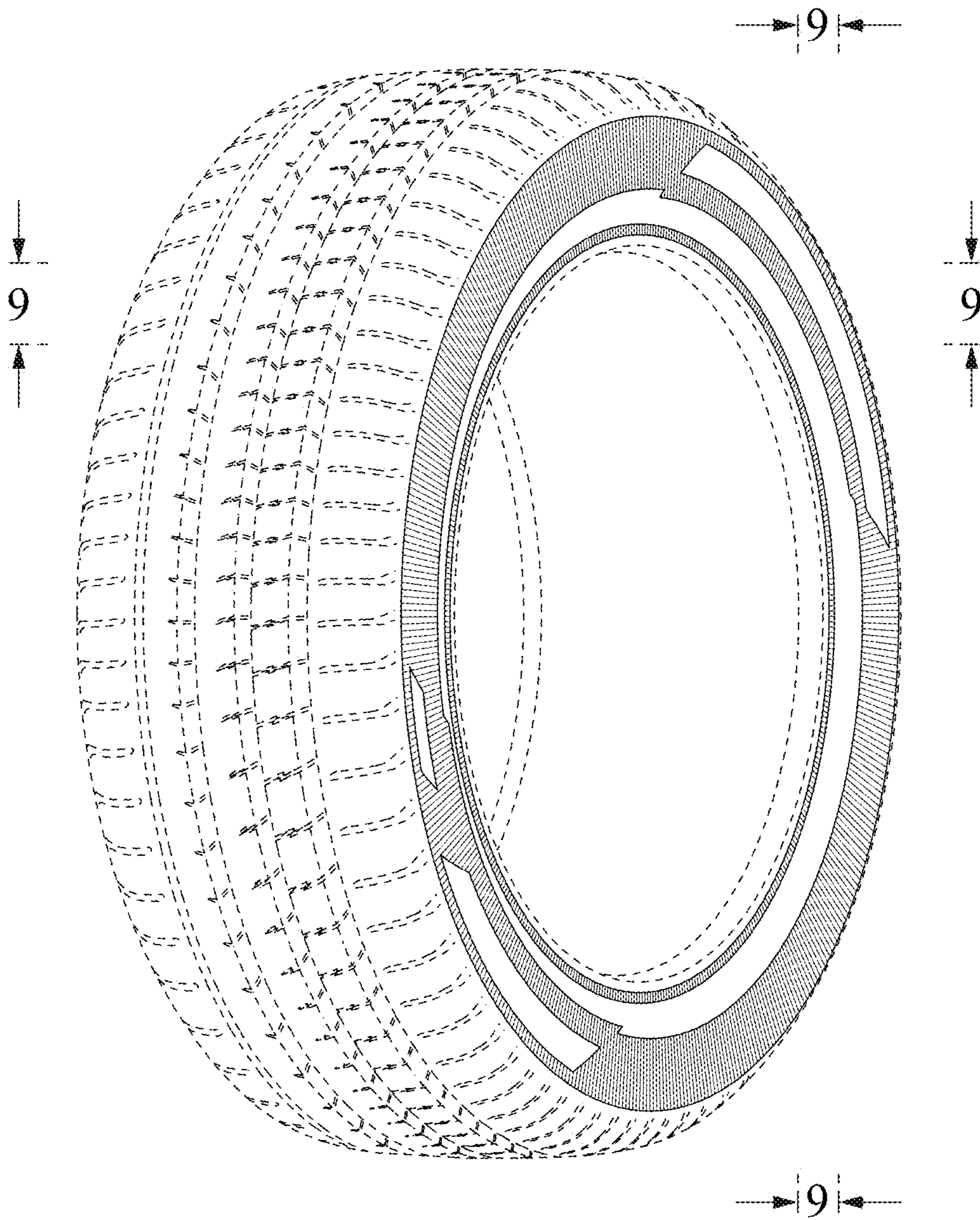


FIG. 2

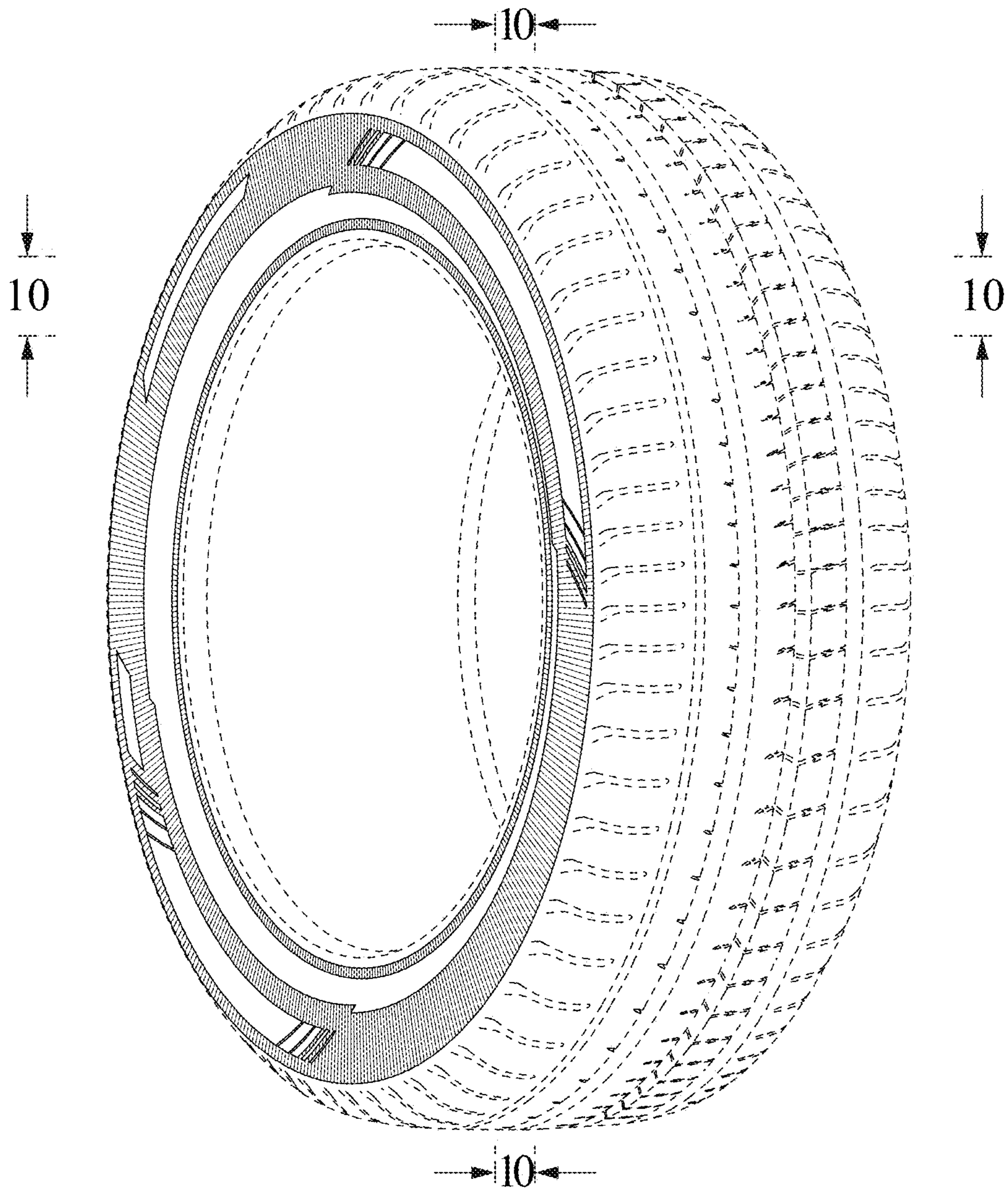


FIG. 3

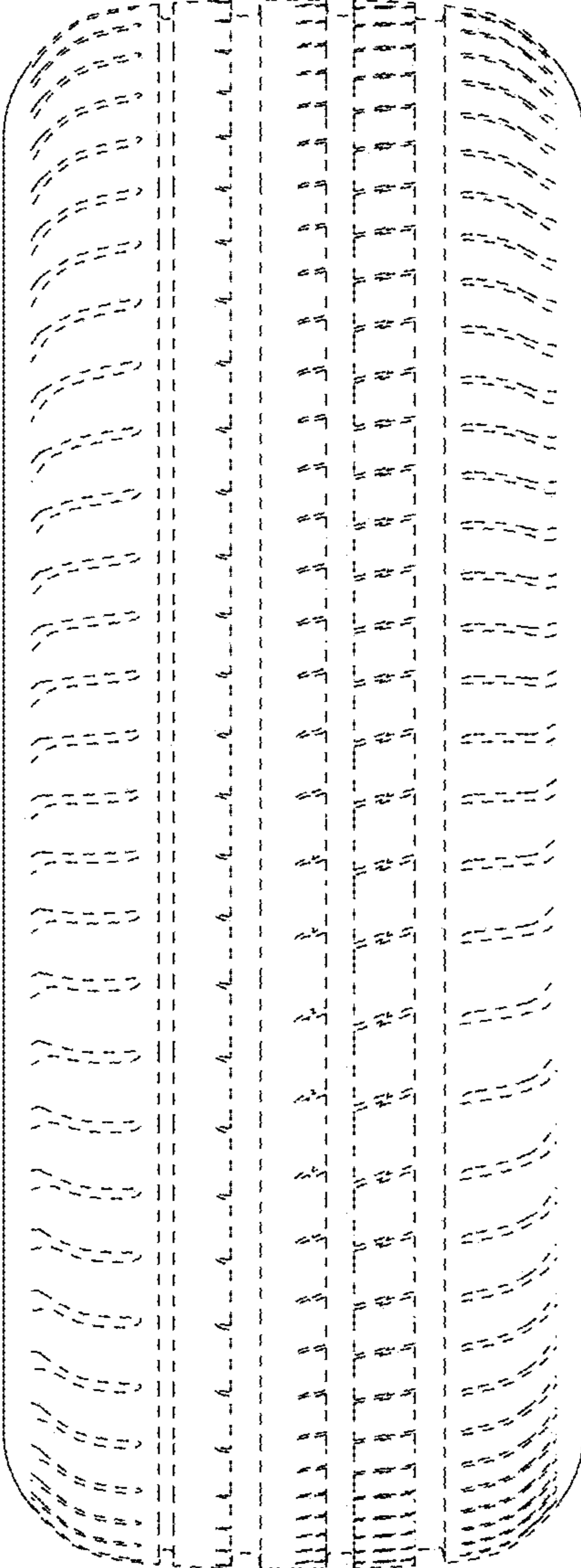


FIG. 4

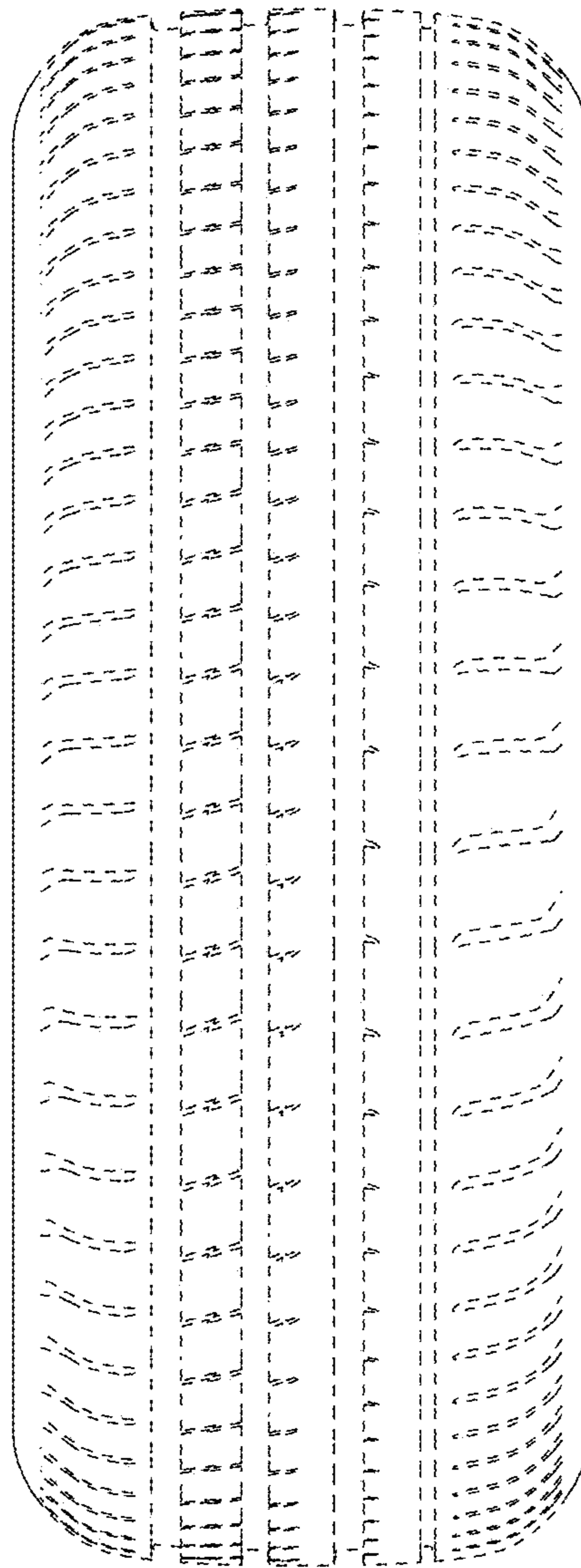


FIG. 5

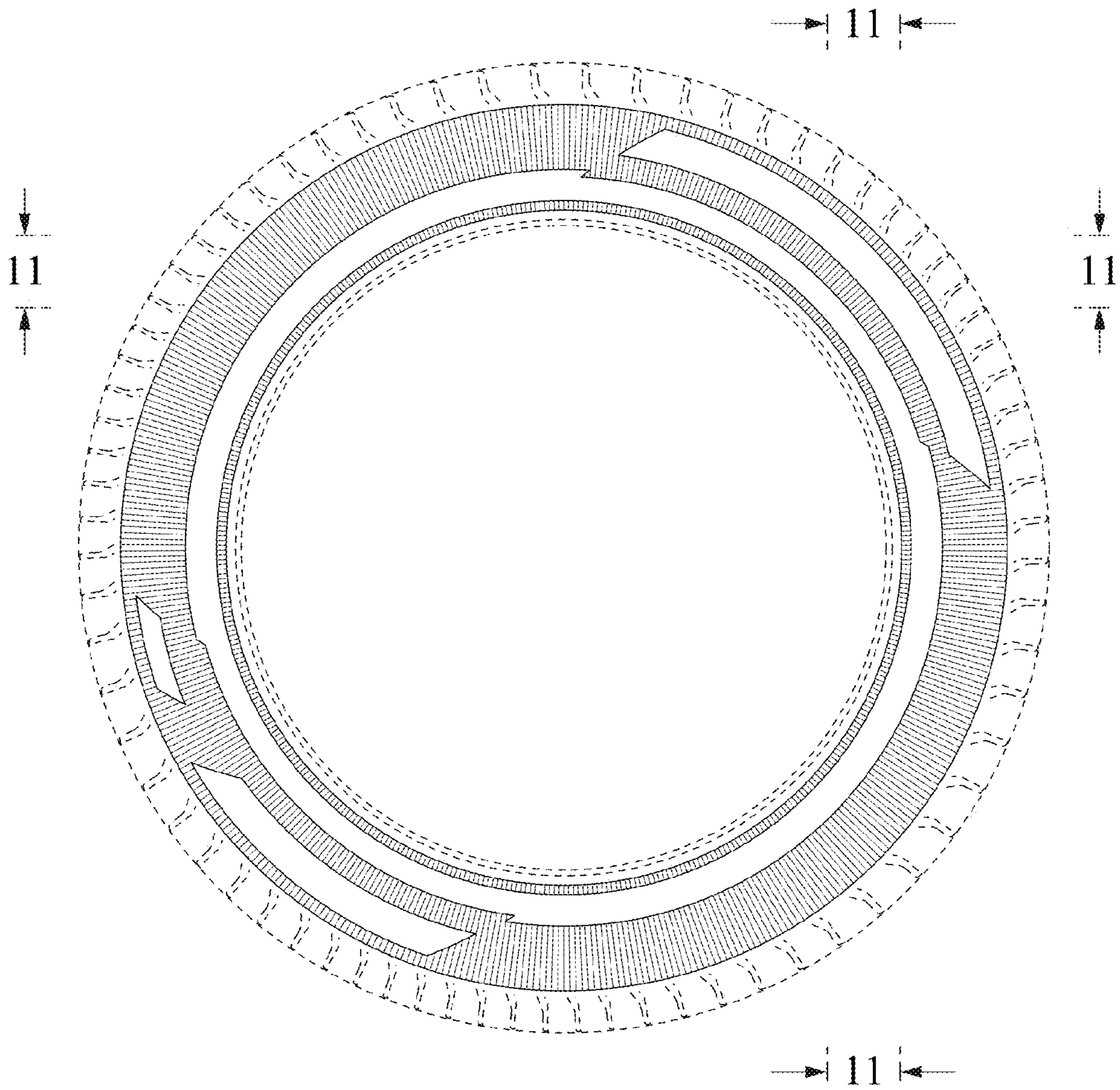


FIG. 6

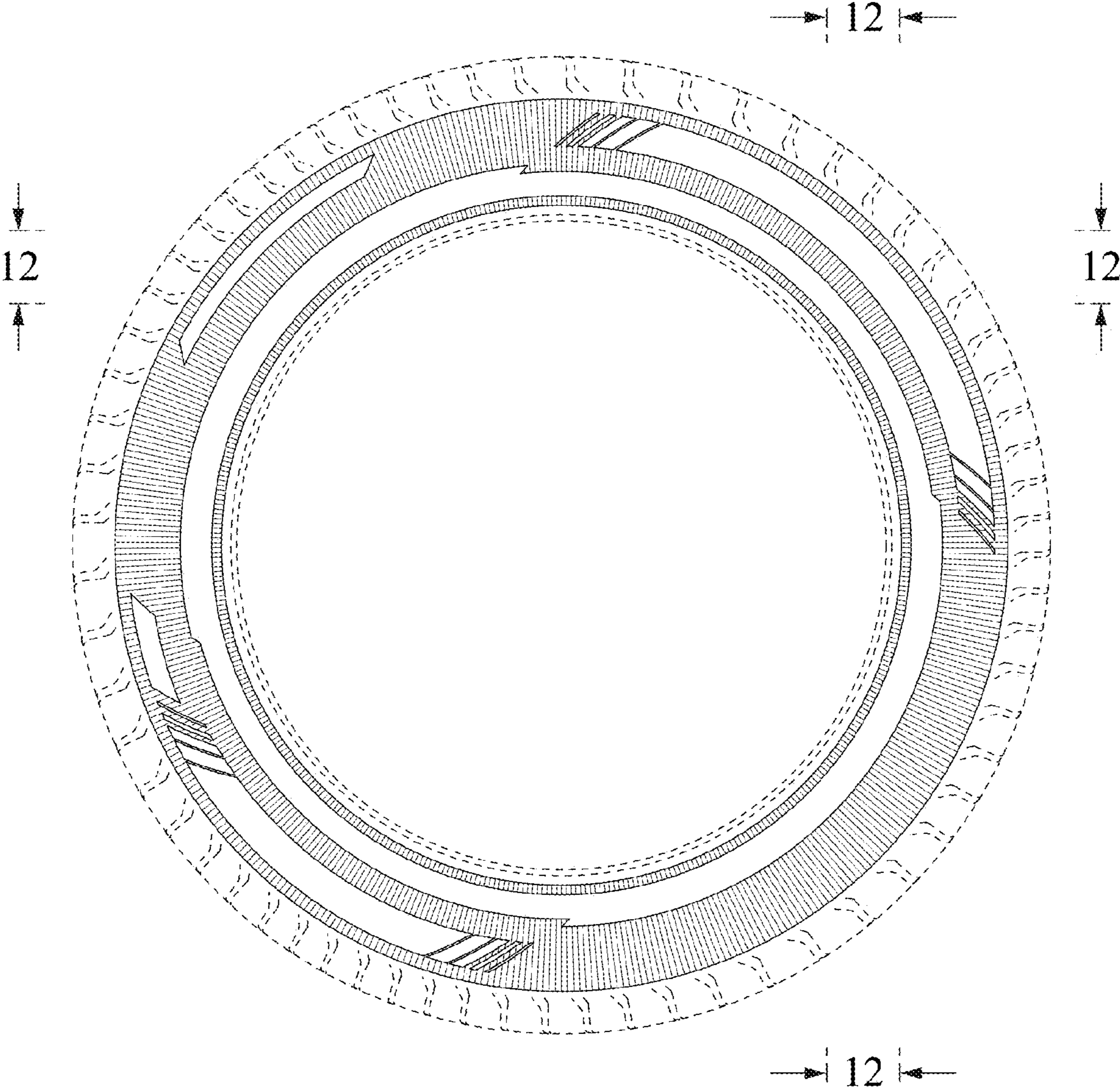


FIG. 7

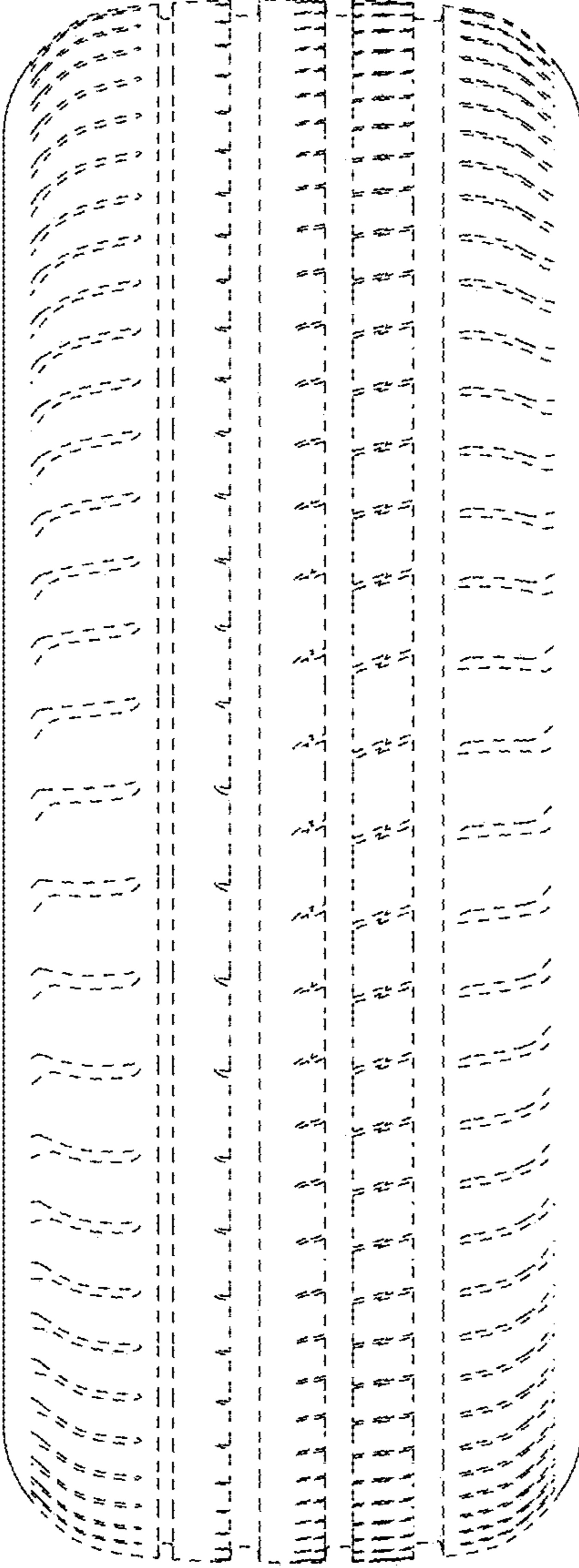


FIG. 8

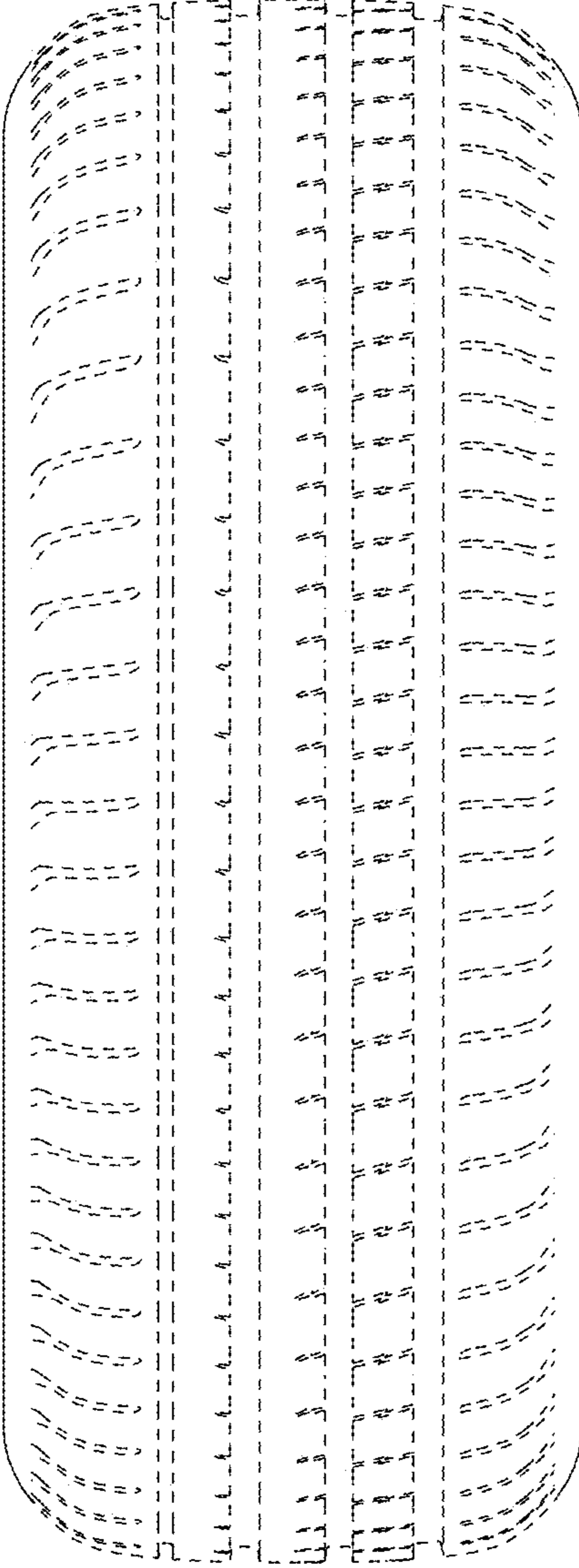


FIG. 9

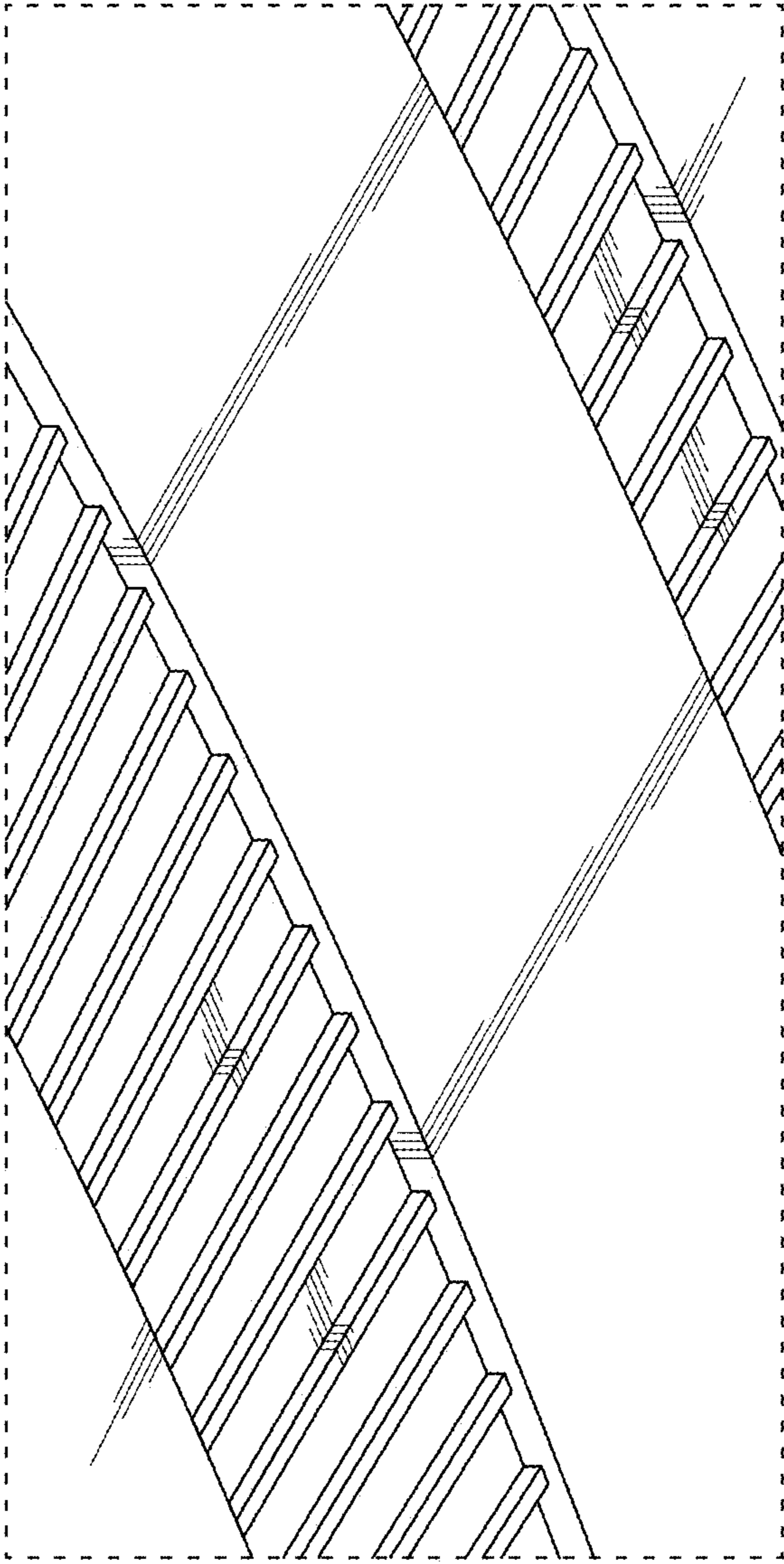


FIG. 10

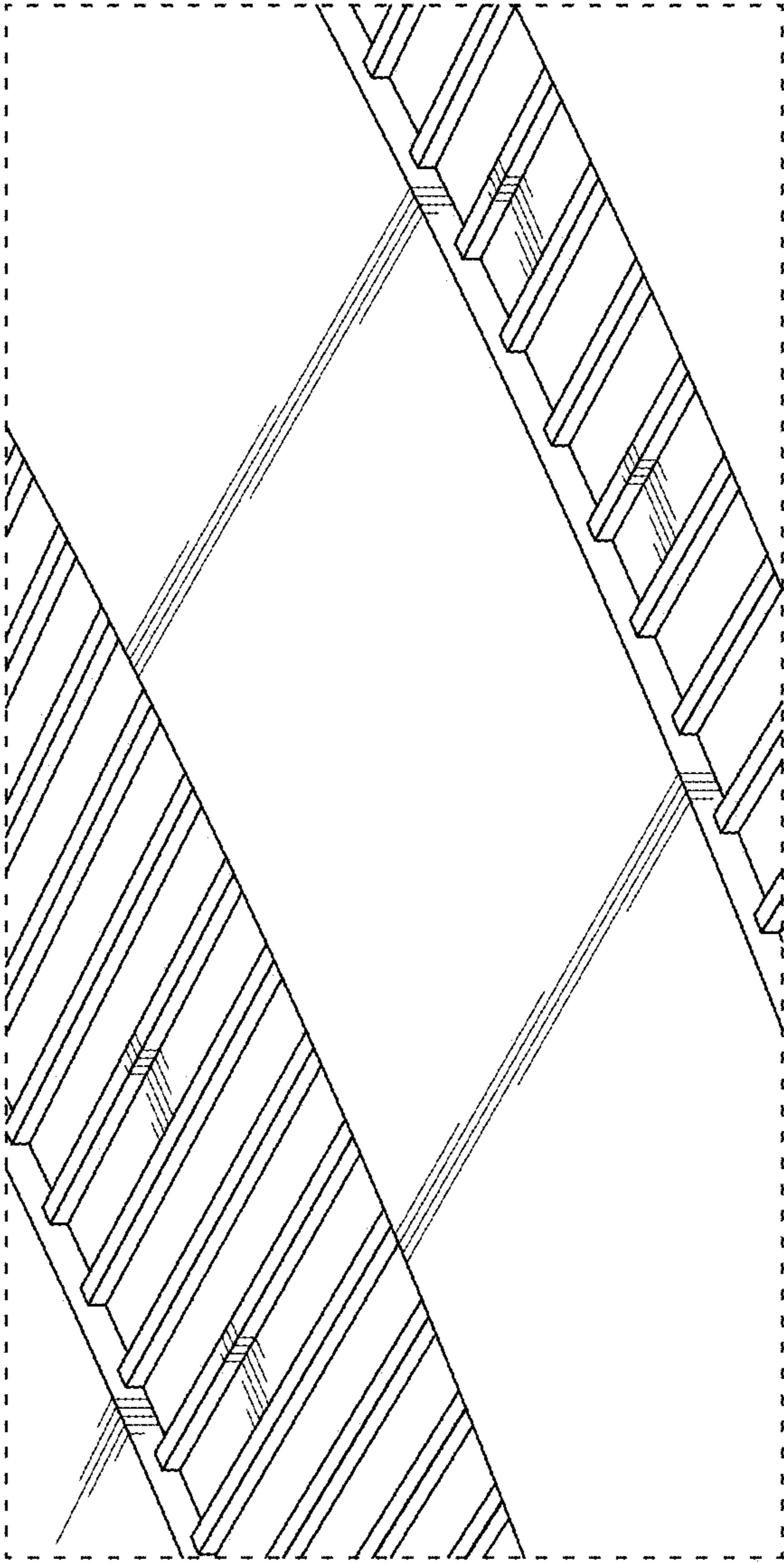


FIG. 11

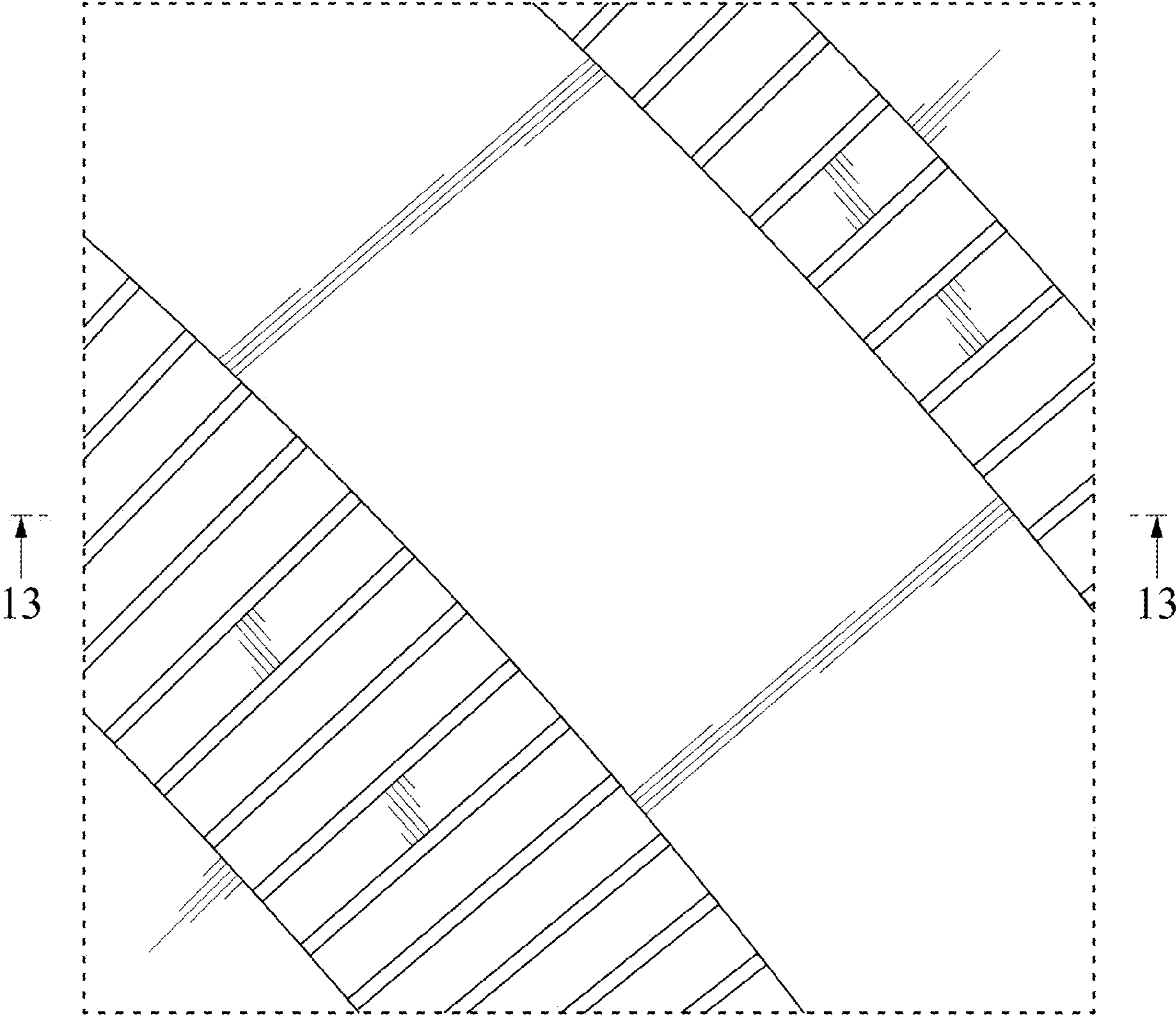


FIG. 12

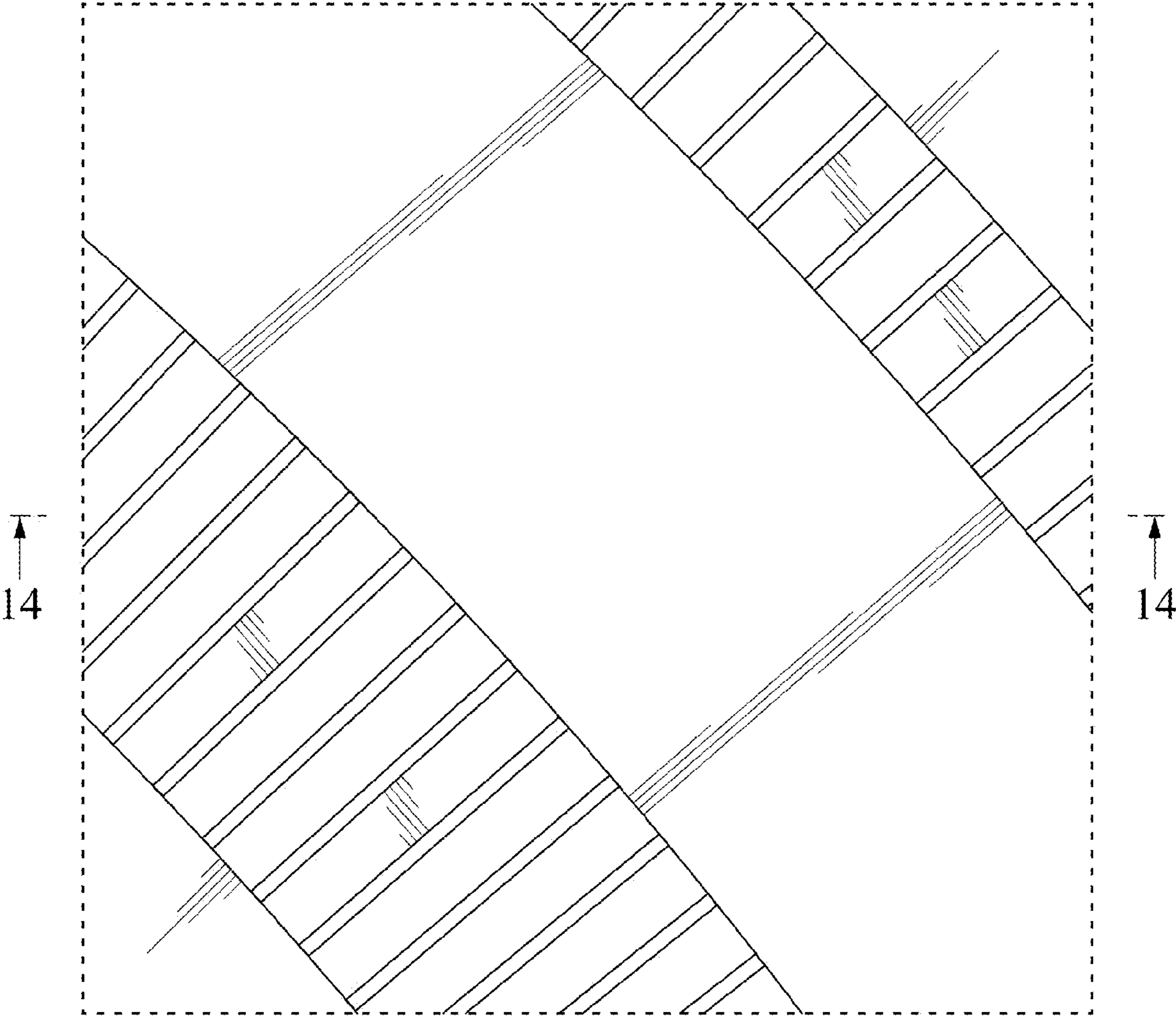


FIG. 13

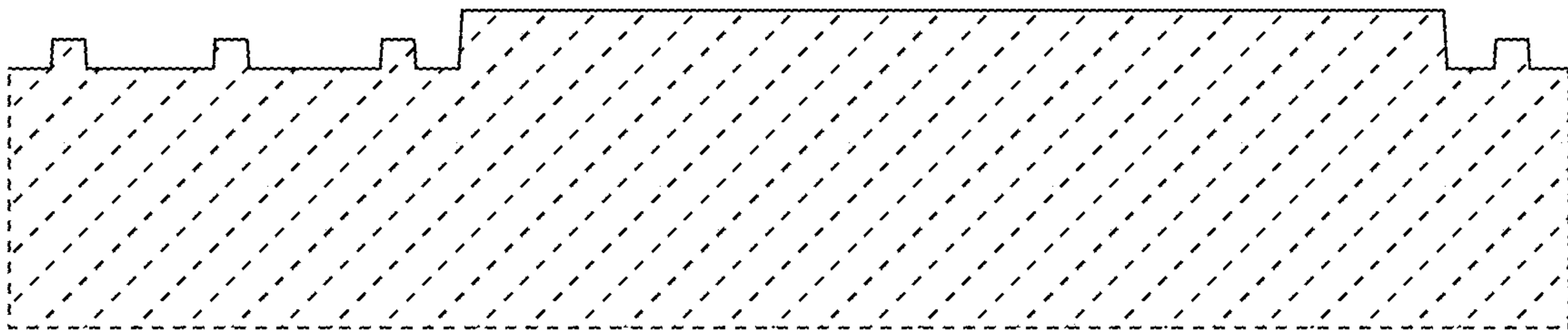


FIG. 14

