



US00D915270S

(12) **United States Design Patent**
Kuwahara

(10) **Patent No.:** **US D915,270 S**
(45) **Date of Patent:** **** Apr. 6, 2021**

- (54) **AUTOMOBILE TIRE**
- (71) Applicant: **THE YOKOHAMA RUBBER CO., LTD.**, Tokyo (JP)
- (72) Inventor: **Noboru Kuwahara**, Tokyo (JP)
- (73) Assignee: **THE YOKOHAMA RUBBER CO., LTD.**, Tokyo (JP)

D681,547 S *	5/2013	Sato	D12/605
D695,211 S *	12/2013	Yasunaga	D12/605
D754,063 S *	4/2016	Iwabuchi	D12/605
D777,094 S *	1/2017	Takahashi	D12/605
D778,816 S *	2/2017	Tokizaki	D12/605
D791,694 S *	7/2017	Sato	D12/605
D792,340 S *	7/2017	Iwabuchi	D12/605
D800,646 S *	10/2017	Sato	D12/605
D822,590 S *	7/2018	Maxwell	D12/605
D829,162 S *	9/2018	Sano	D12/605
D830,292 S *	10/2018	Baggetta	D12/605

(Continued)

(**) Term: **15 Years**

Primary Examiner — Michelle E. Wilson

(21) Appl. No.: **29/706,572**

Assistant Examiner — Clese Moore, Jr.

(22) Filed: **Sep. 20, 2019**

(74) *Attorney, Agent, or Firm* — Banner & Witcoff, Ltd.

(30) **Foreign Application Priority Data**

Mar. 22, 2019 (JP) 2019-006096

(51) **LOC (13) Cl.** **12-15**

(52) **U.S. Cl.**
USPC **D12/605**

(58) **Field of Classification Search**
USPC D12/604, 605
CPC B60C 13/00; B60C 1/00
See application file for complete search history.

(57) **CLAIM**

The ornamental design for an automobile tire, as shown and described.

(56) **References Cited**

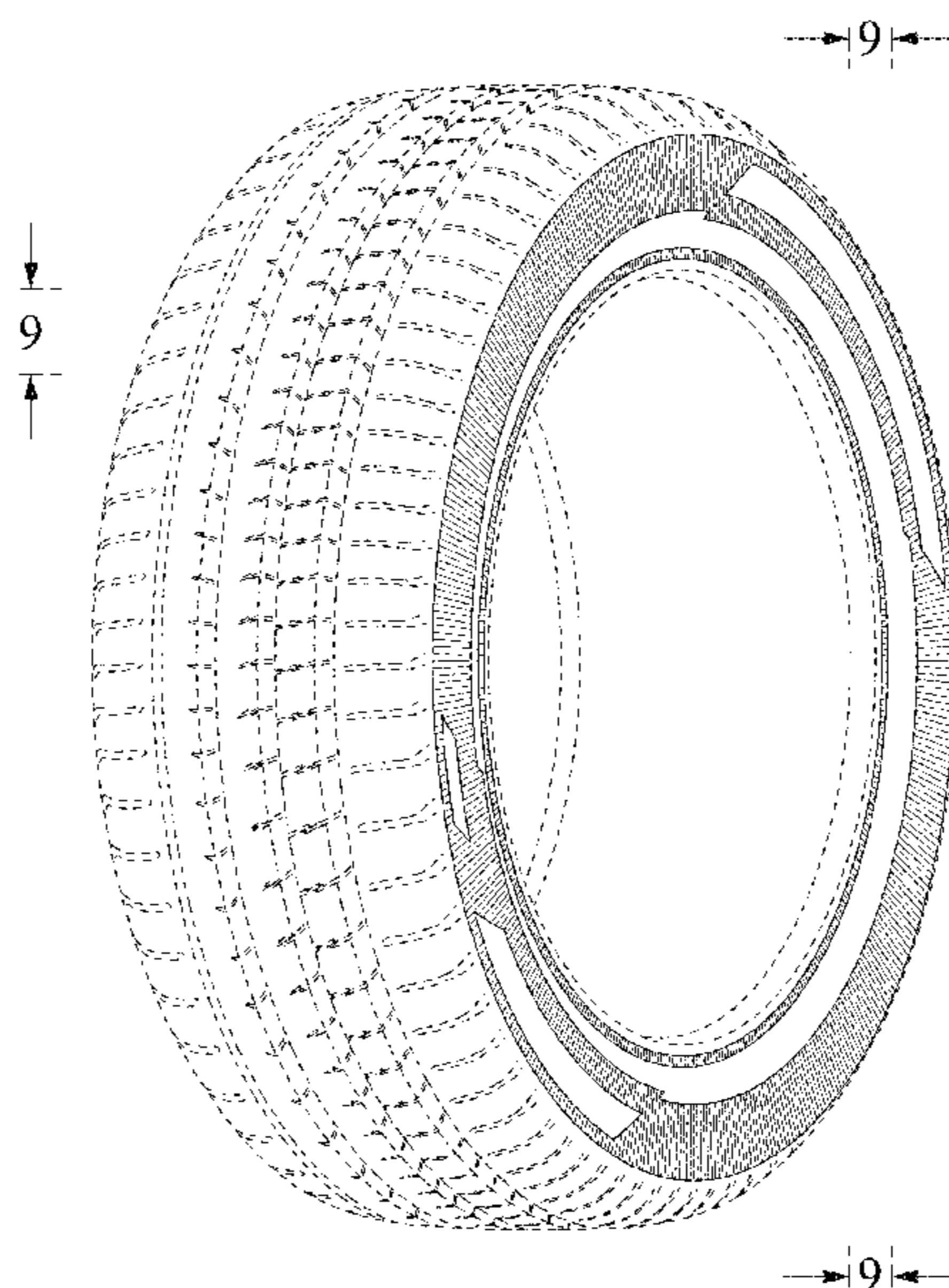
U.S. PATENT DOCUMENTS

D385,834 S *	11/1997	Ratliff, Jr.	D12/605
D517,003 S *	3/2006	Shondel	D12/605
D593,487 S *	6/2009	Takahashi	D12/605
D608,275 S *	1/2010	Maxwell	D12/605
D632,641 S *	2/2011	Sato	D12/605
D650,323 S *	12/2011	Morito	D12/605
D662,465 S *	6/2012	Takano	D12/605
D662,466 S *	6/2012	Takano	D12/605
D669,845 S *	10/2012	Iwabuchi	D12/605
D671,066 S *	11/2012	Morito	D12/605
D671,067 S *	11/2012	Yasunaga	D12/605
D674,744 S *	1/2013	Miyazaki	D12/605

DESCRIPTION

FIG. 1 is a perspective view showing front and right sides of an automobile tire showing my design;
 FIG. 2 is a perspective view showing front and left sides thereof;
 FIG. 3 is a front view thereof;
 FIG. 4 is a rear view thereof;
 FIG. 5 is a right side view thereof;
 FIG. 6 is a left side view thereof;
 FIG. 7 is a top view thereof;
 FIG. 8 is a bottom view thereof;
 FIG. 9 is a partially enlarged view of a portion defined by lines 9-9 shown in FIG. 1;
 FIG. 10 is a partially enlarged view of a portion defined by lines 10-10 shown in FIG. 5; and,
 FIG. 11 is a cross sectional view of a portion defined by lines 11-11 shown in FIG. 10.
 In the drawings, the broken lines depict environmental subject matter only and form no part of the claimed design.

1 Claim, 11 Drawing Sheets



(56)

References Cited

U.S. PATENT DOCUMENTS

D838,665 S *	1/2019	Kujime	D12/605
D847,736 S *	5/2019	Yasunaga	D12/605
D859,303 S *	9/2019	Taniguchi	D12/605

* cited by examiner

FIG. 1

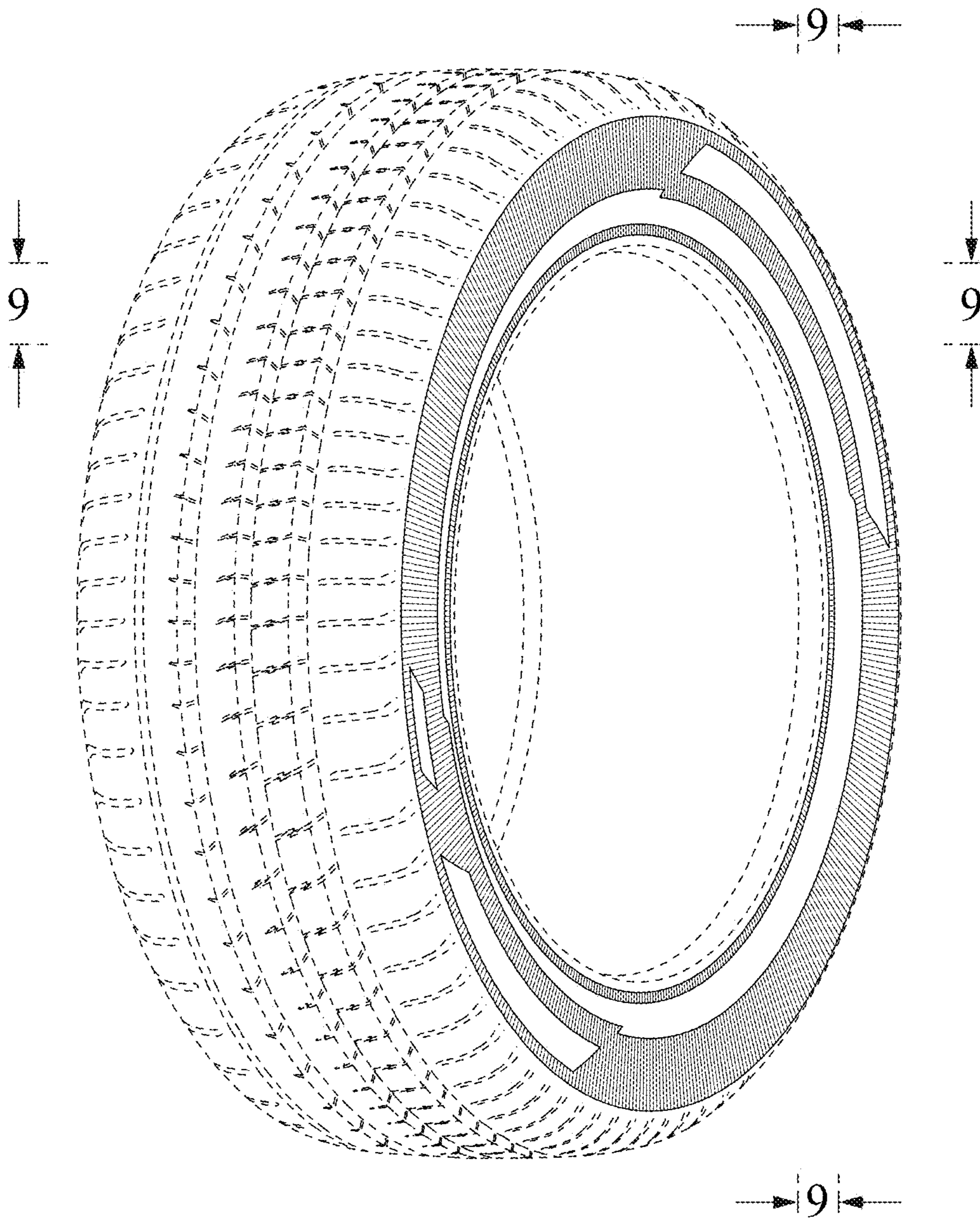


FIG. 2

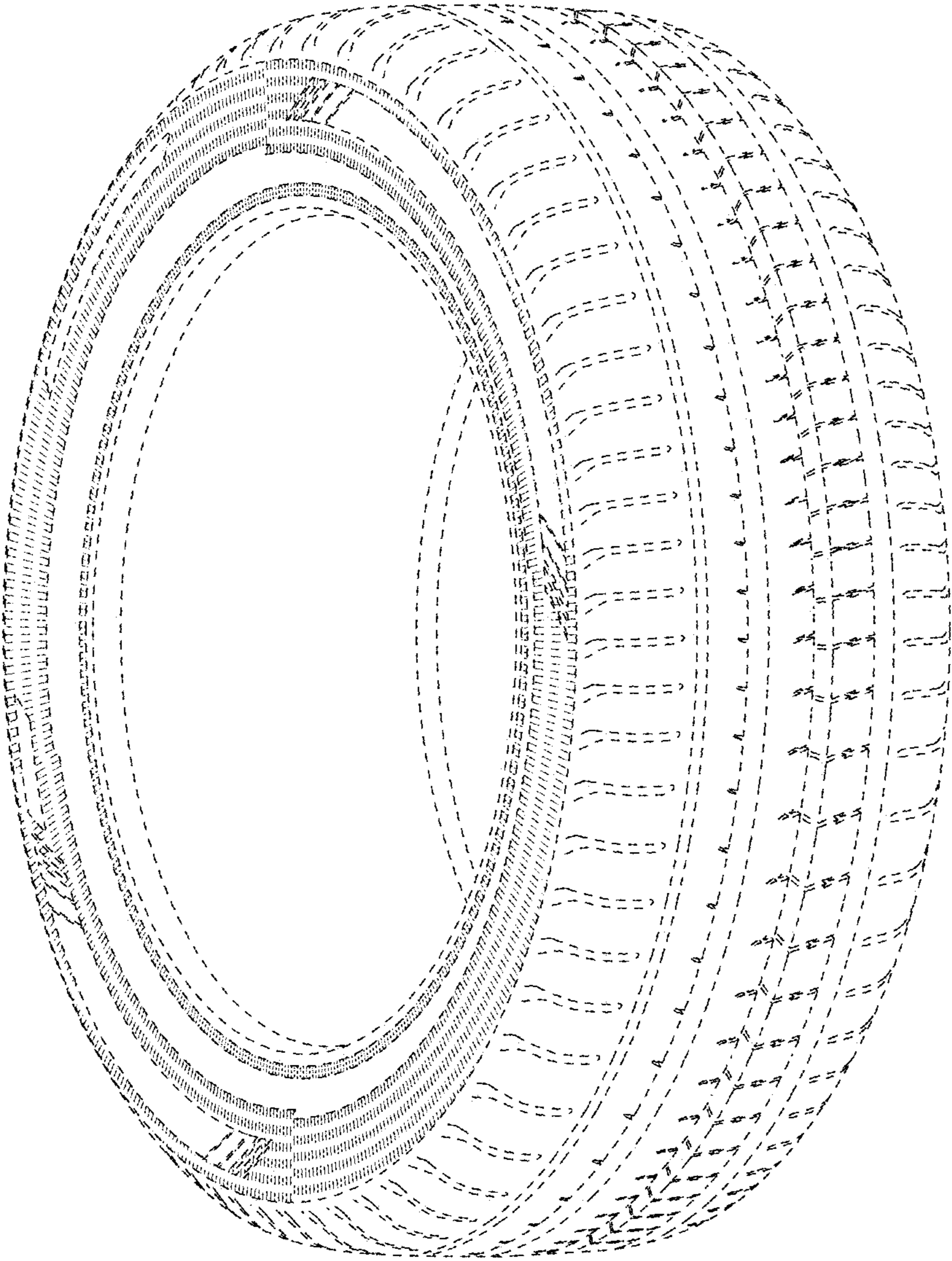


FIG. 3

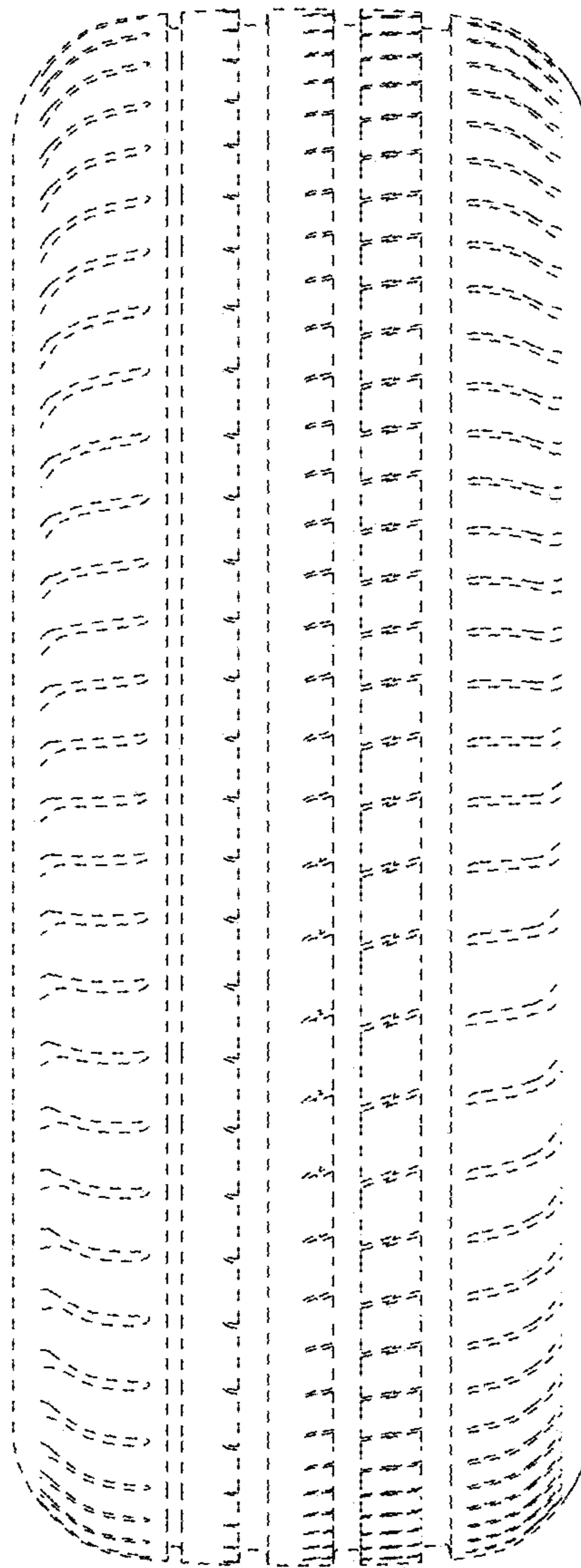


FIG. 4

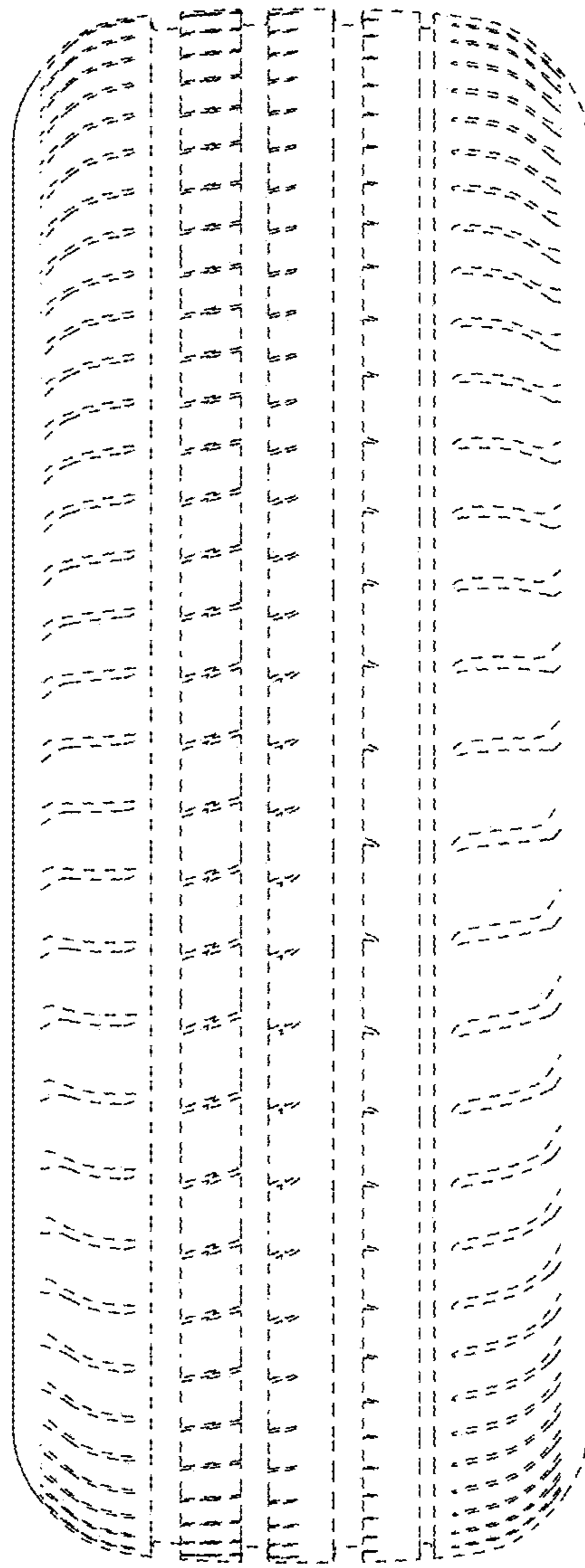


FIG. 5

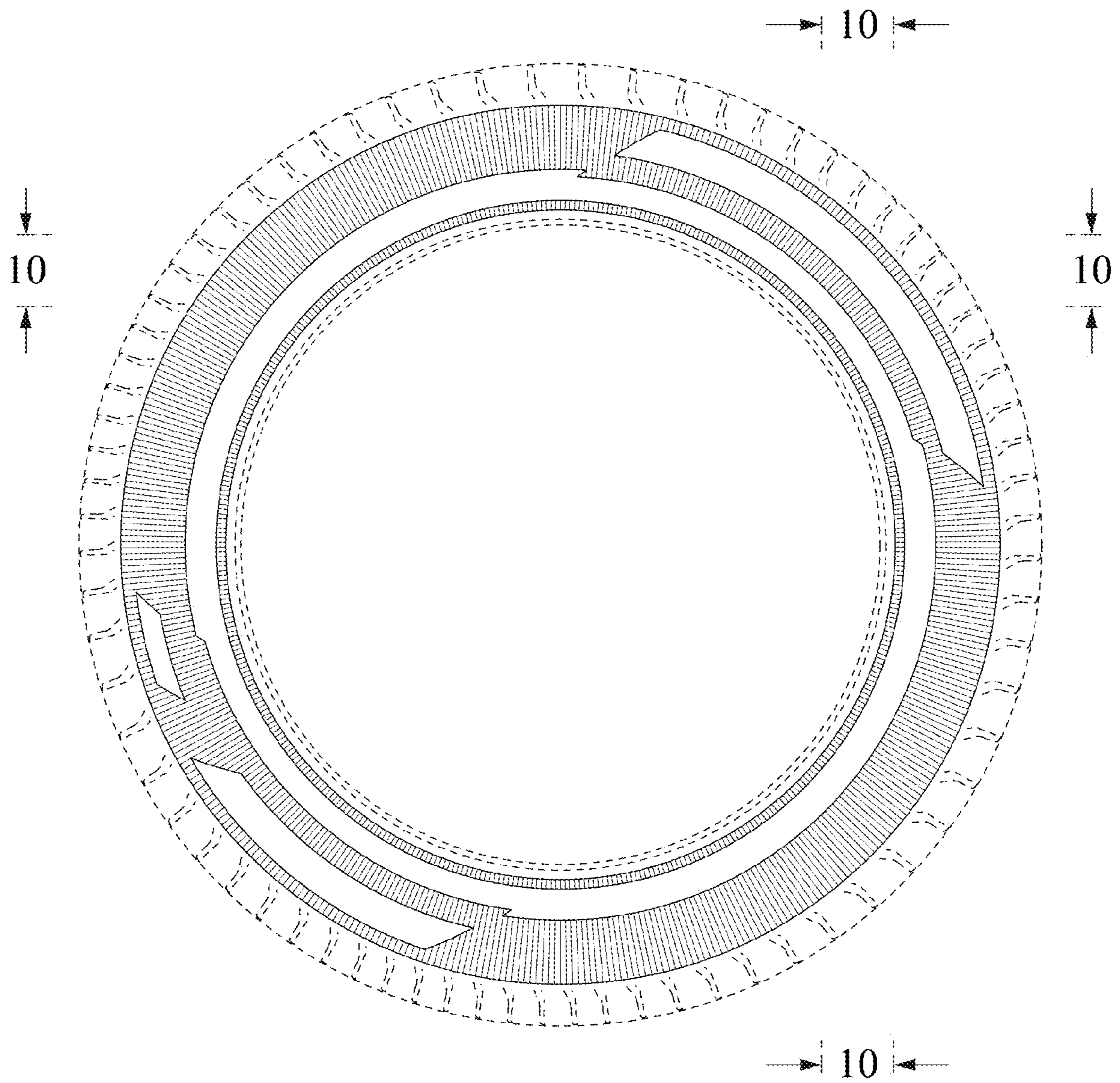


FIG. 6

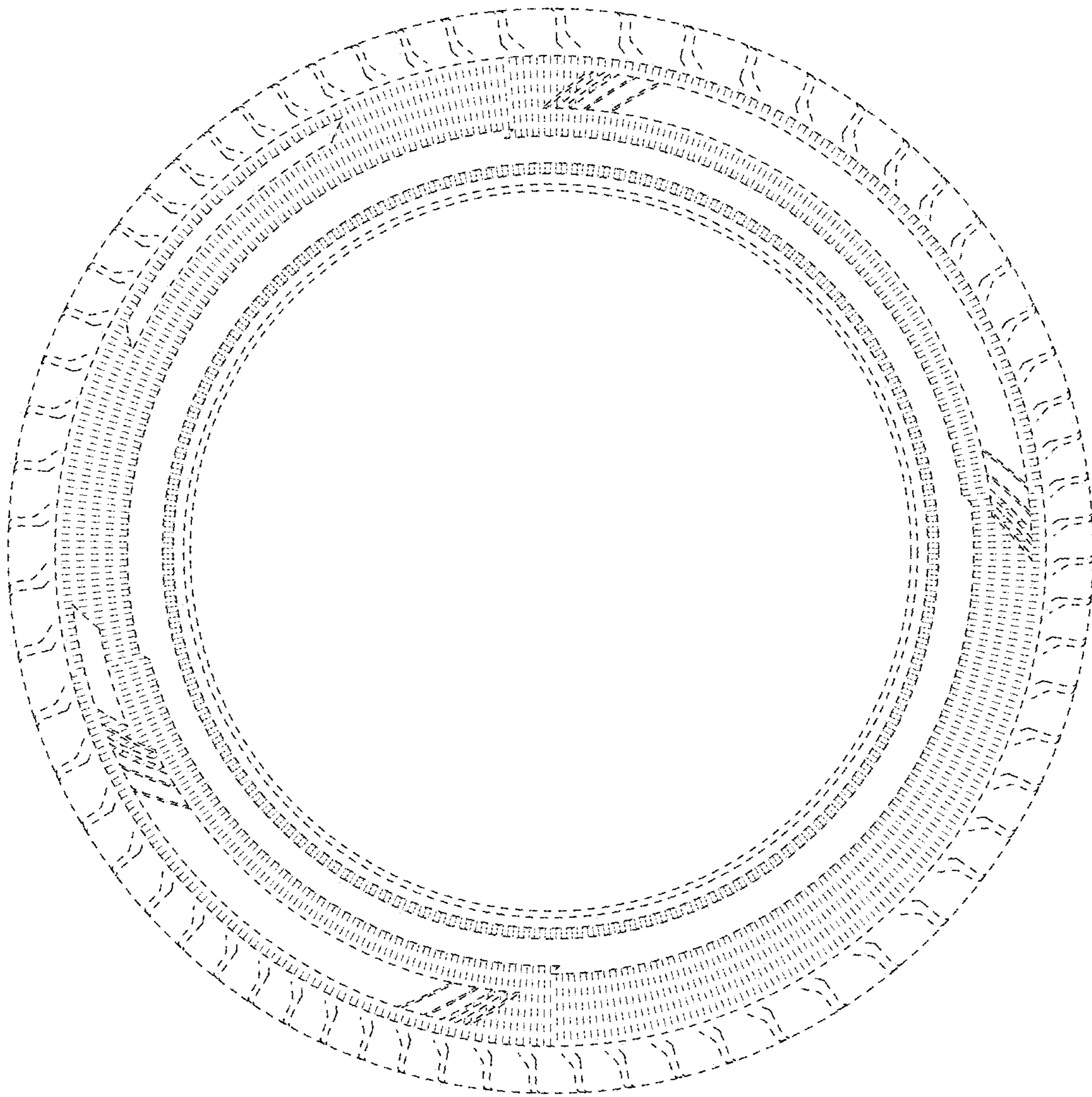


FIG. 7

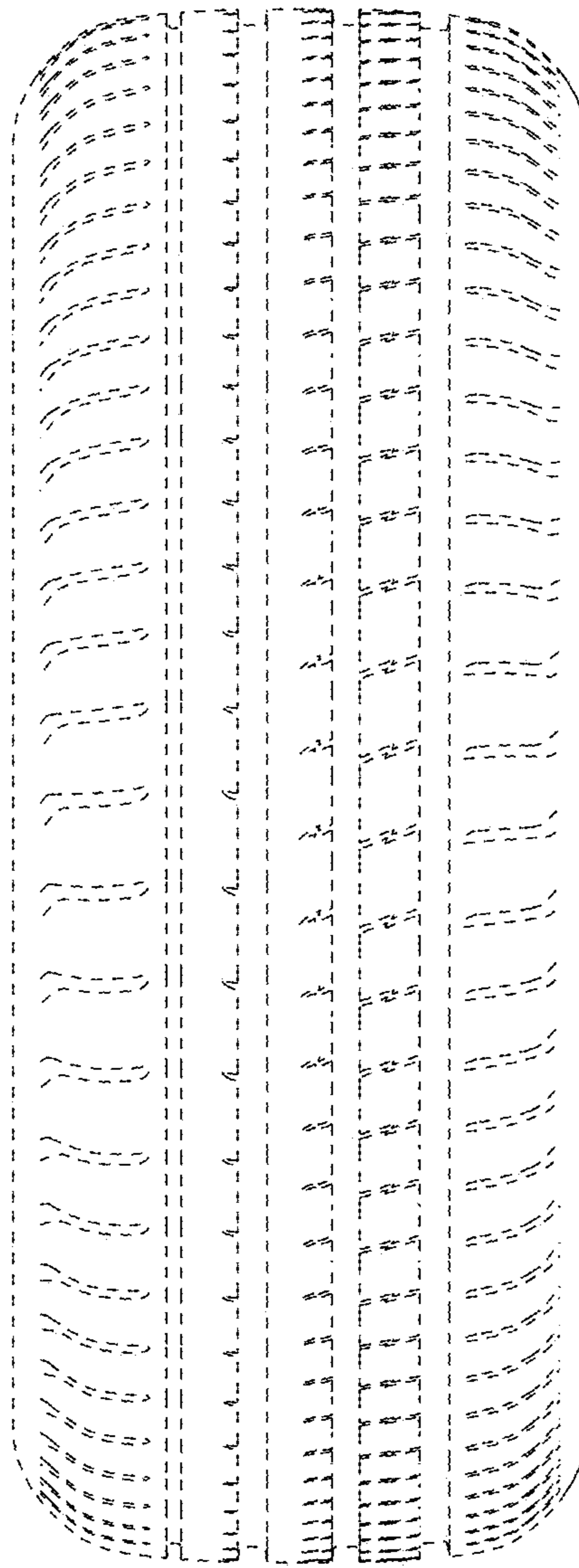


FIG. 8

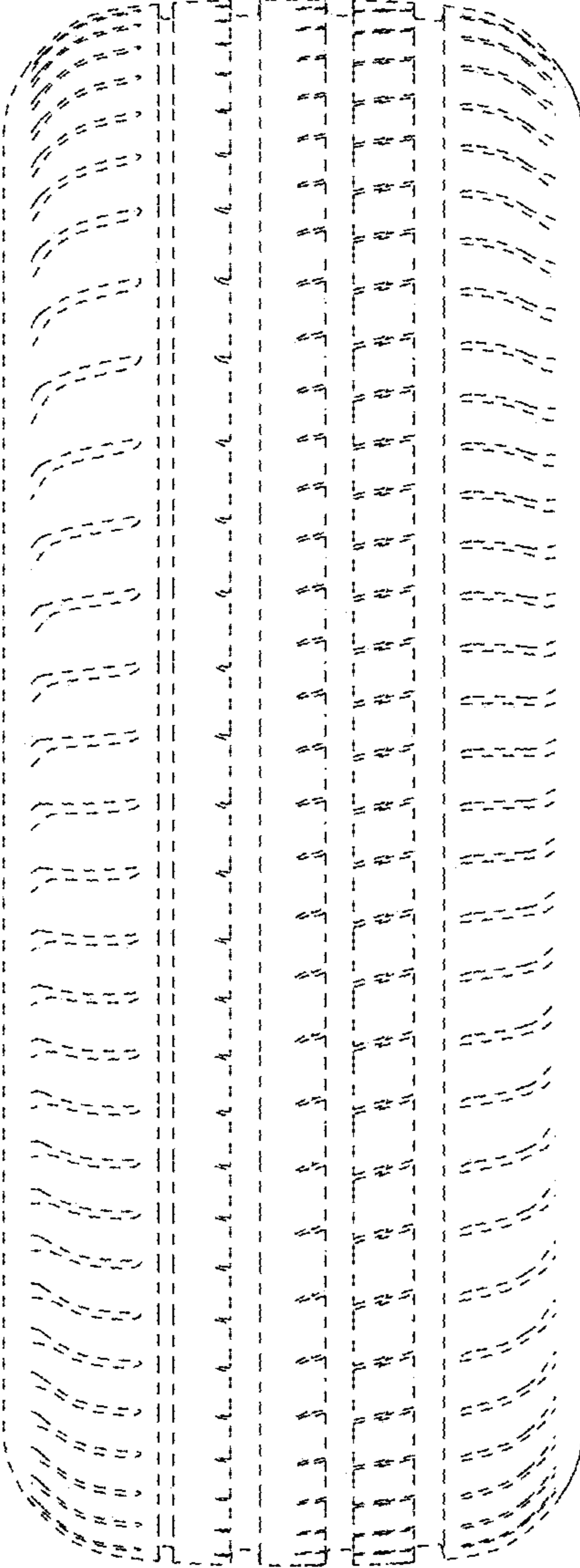


FIG. 9

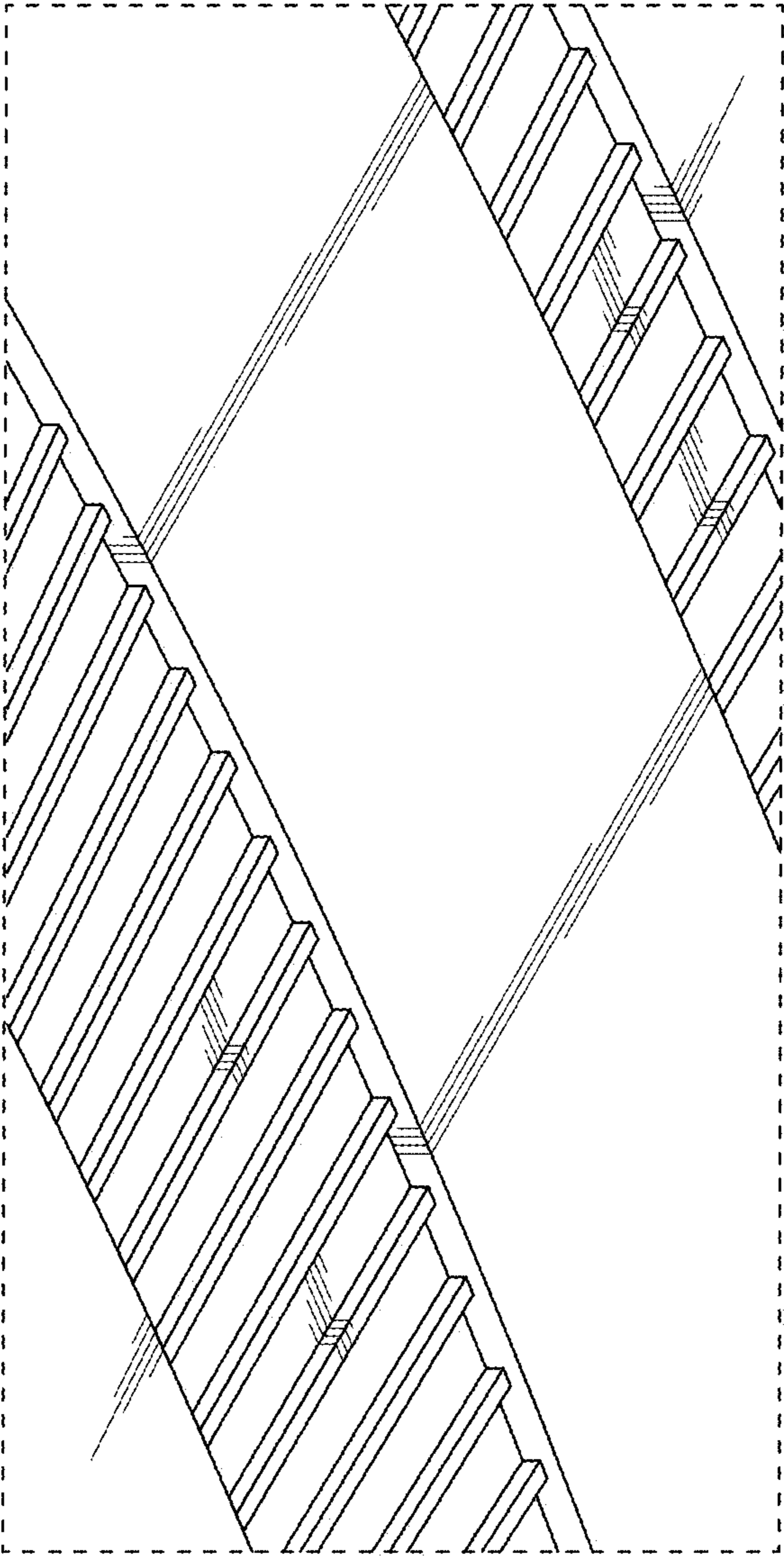


FIG. 10

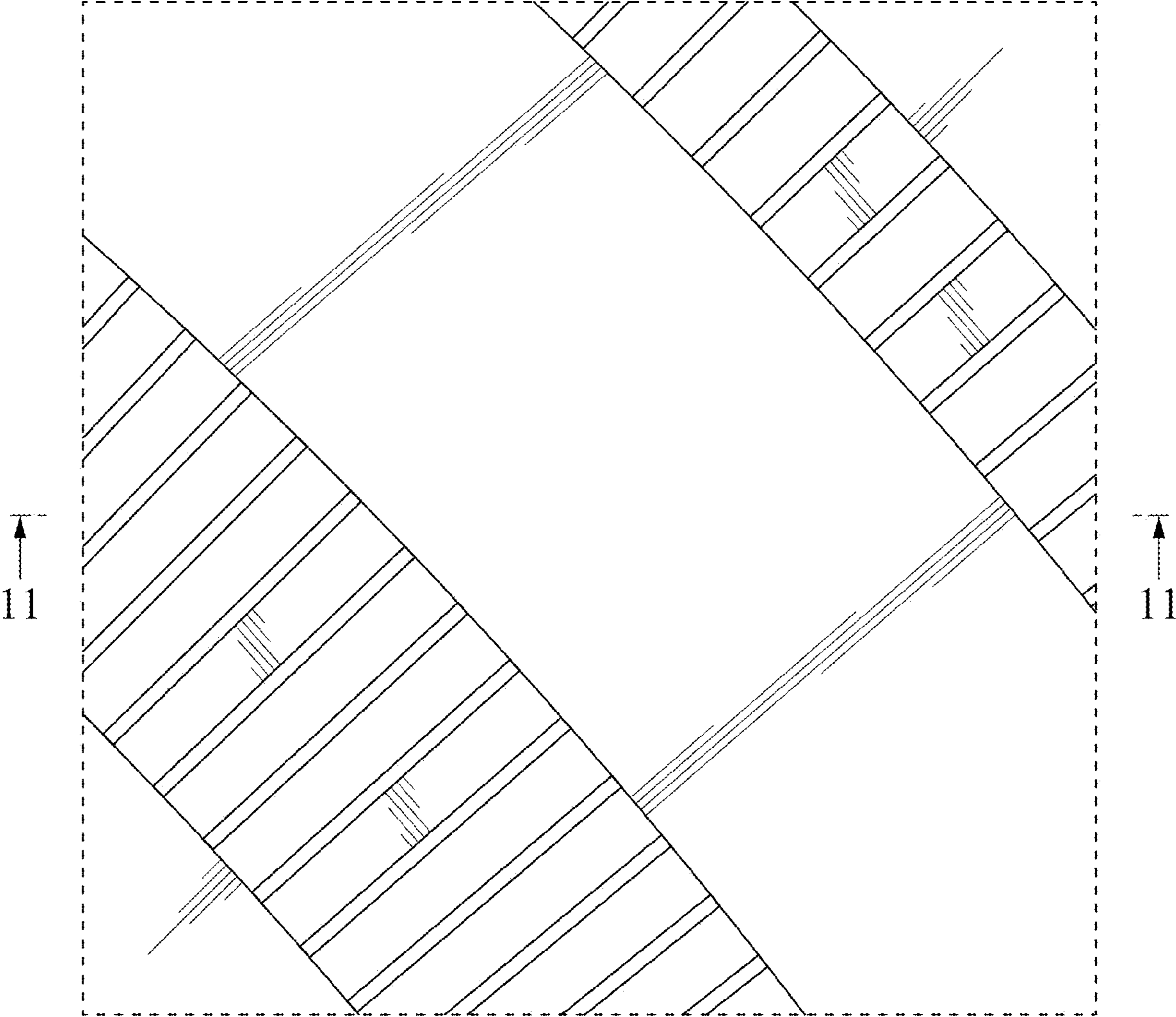


FIG. 11

