

US00D915268S

(12) **United States Design Patent** (10) **Patent No.:** **US D915,268 S**
Fultz (45) **Date of Patent:** **** Apr. 6, 2021**

(54) **HANDHELD PROPULSION UNIT FOR USE BY A USER IN AND UNDER WATER**

6,572,422 B2 * 6/2003 Kirkwood B63G 8/08
114/312

(71) Applicant: **Charles Fultz**, Fort Lauderdale, FL
(US)

6,692,319 B2 2/2004 Collier et al.
D507,776 S * 7/2005 Mah D12/308
D512,678 S * 12/2005 Mah D12/308

(Continued)

(72) Inventor: **Charles Fultz**, Fort Lauderdale, FL
(US)

OTHER PUBLICATIONS

(**) Term: **15 Years**

Propulsor Acuatico Bladefish 5000.

(21) Appl. No.: **29/715,763**

Primary Examiner — Cynthia M. Chin

(22) Filed: **Dec. 4, 2019**

(74) *Attorney, Agent, or Firm* — Derek Fahey; The Plus IP Firm

(51) **LOC (13) Cl.** **12-06**

(52) **U.S. Cl.**
USPC **D12/308**

(57) **CLAIM**

The ornamental design for a handheld propulsion unit for use by a user in and under water, as shown and described.

(58) **Field of Classification Search**

USPC D12/308, 317; D21/801
CPC B63C 11/00; B63C 11/34; B63C 11/46;
B63C 2011/028; A63B 35/00; A63B
35/08; A63B 35/10; A63B 35/12

DESCRIPTION

See application file for complete search history.

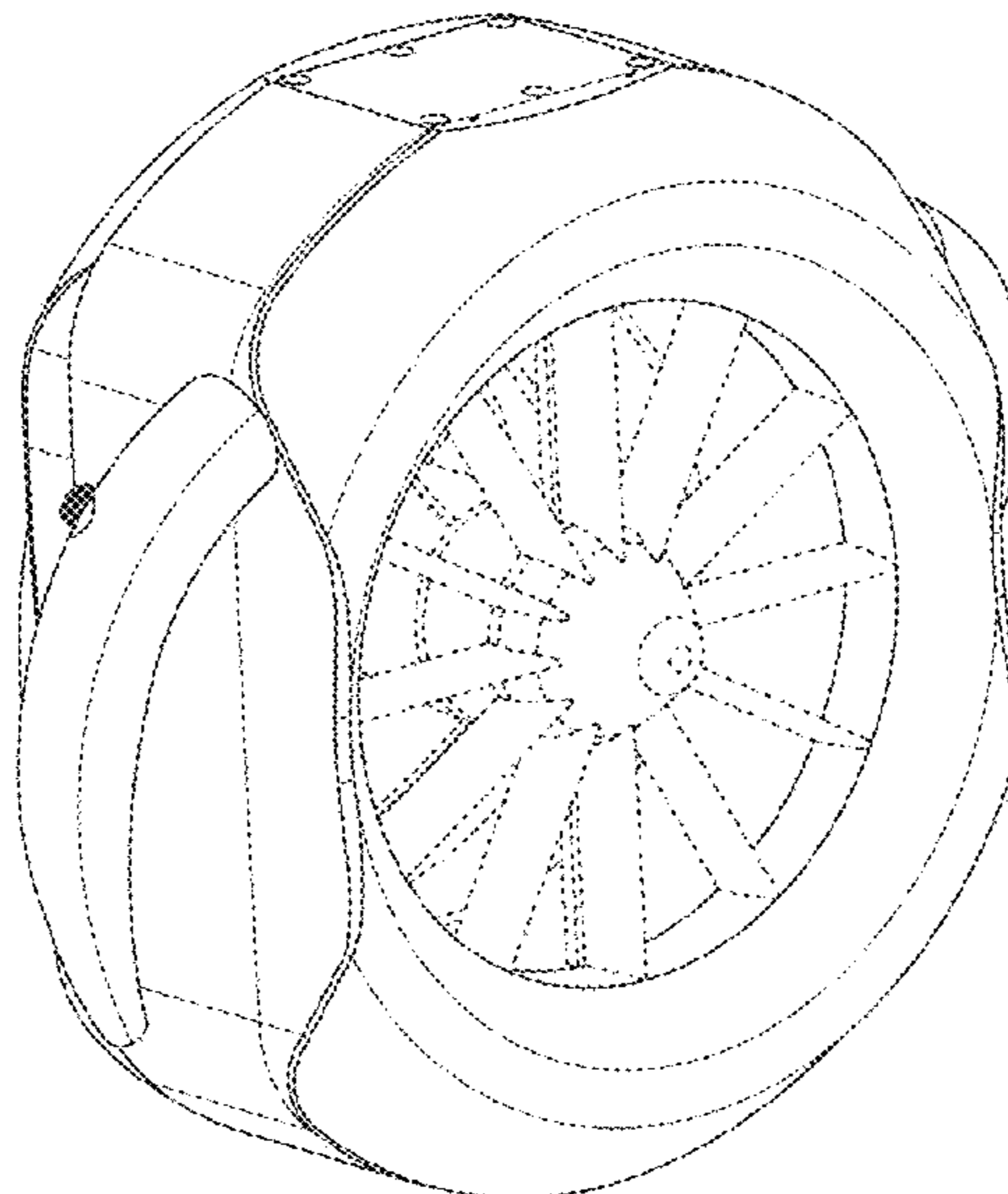
FIG. 1 is a front perspective view of a handheld propulsion unit for use by a user in and under water;
FIG. 2 is a front view of the handheld propulsion unit for use by a user in and under water;
FIG. 3 is a bottom view of the handheld propulsion unit for use by a user in and under water;
FIG. 4 is a first side view of the handheld propulsion unit for use by a user in and under water;
FIG. 5 is a second side view of the handheld propulsion unit for use by a user in and under water;
FIG. 6 is a top view of the handheld propulsion unit for use by a user in and under water;
FIG. 7 is a rear view of the handheld propulsion unit for use by a user in and under water; and,
FIG. 8 is a rear perspective view of the handheld propulsion unit for use by a user in and under water.
The dashed or broken lines in FIGS. 1-8 illustrate a propeller, a fastening system and a guard or safety structure that form no part of the claimed design.

(56) **References Cited**

U.S. PATENT DOCUMENTS

3,635,188 A	1/1972	Rutkowski	
3,708,251 A	1/1973	Pierro	
3,757,721 A	9/1973	Ohishi	
4,813,367 A	3/1989	Stevenson	
4,831,297 A	5/1989	Taylor et al.	
4,843,998 A	7/1989	Parker	
4,864,959 A	9/1989	Takamizawa et al.	
4,996,938 A	3/1991	Cameron	
5,078,628 A	1/1992	Garis, Jr.	
5,105,753 A	4/1992	Chih	
5,158,034 A	10/1992	Hsu	
5,185,545 A	2/1993	Veronesi et al.	
5,252,875 A	10/1993	Veronesi et al.	
5,379,714 A	1/1995	Lewis et al.	
5,702,273 A	12/1997	Cho et al.	
5,722,864 A	3/1998	Andiarena	
D471,506 S *	3/2003	Mah	D12/308

1 Claim, 8 Drawing Sheets



(56)

References Cited

U.S. PATENT DOCUMENTS

7,093,554 B1 * 8/2006 Mah B63C 11/46
 114/315
 D527,702 S * 9/2006 Mah D12/308
 7,549,902 B2 6/2009 Jansen
 D643,084 S * 8/2011 White D21/806
 8,011,314 B2 9/2011 McGeever et al.
 8,299,669 B2 10/2012 Gieras et al.
 D677,211 S * 3/2013 Tavares D12/308
 8,567,336 B1 10/2013 Mazin
 8,651,041 B2 2/2014 Myers
 9,138,617 B2 9/2015 Duboy
 9,217,435 B2 * 12/2015 Moore F04D 3/00
 9,540,090 B2 1/2017 Fenu et al.
 9,592,897 B2 * 3/2017 Johnsen F16C 39/063
 9,694,888 B2 7/2017 Walpurgis
 9,821,896 B2 * 11/2017 Aasebo B63H 5/125
 9,963,212 B2 * 5/2018 Jehangir B63H 5/14
 10,029,775 B2 * 7/2018 Nikmanesh B63H 21/17
 D858,419 S * 9/2019 Miettinen D12/308
 D861,572 S * 10/2019 Wei D12/308
 D866,445 S * 11/2019 Wu D12/308
 2010/0212571 A1 8/2010 White
 2015/0111445 A1 * 4/2015 Duboy A63B 35/12
 440/6
 2016/0221654 A1 * 8/2016 Kang A63B 35/12

* cited by examiner

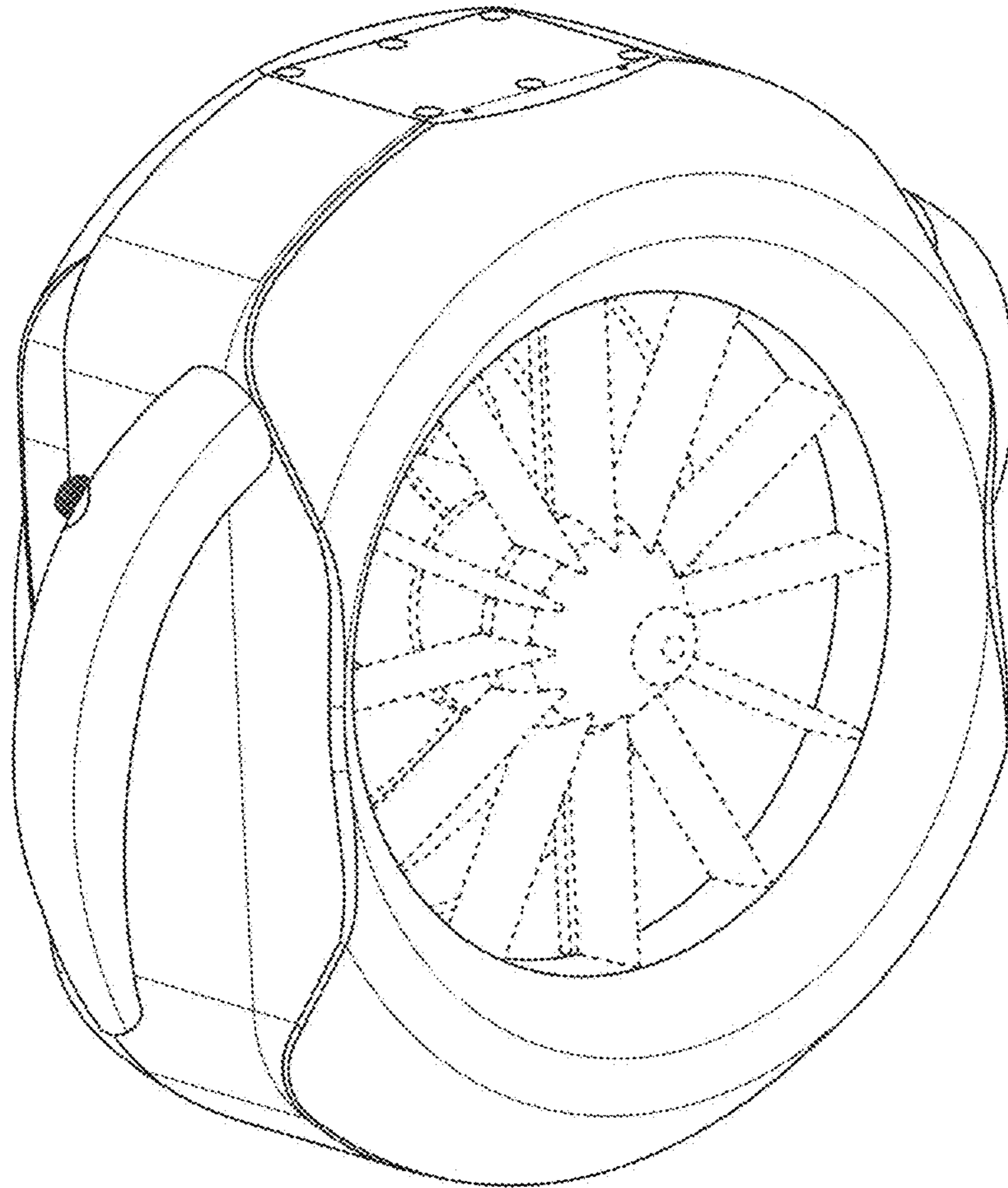


FIG. 1

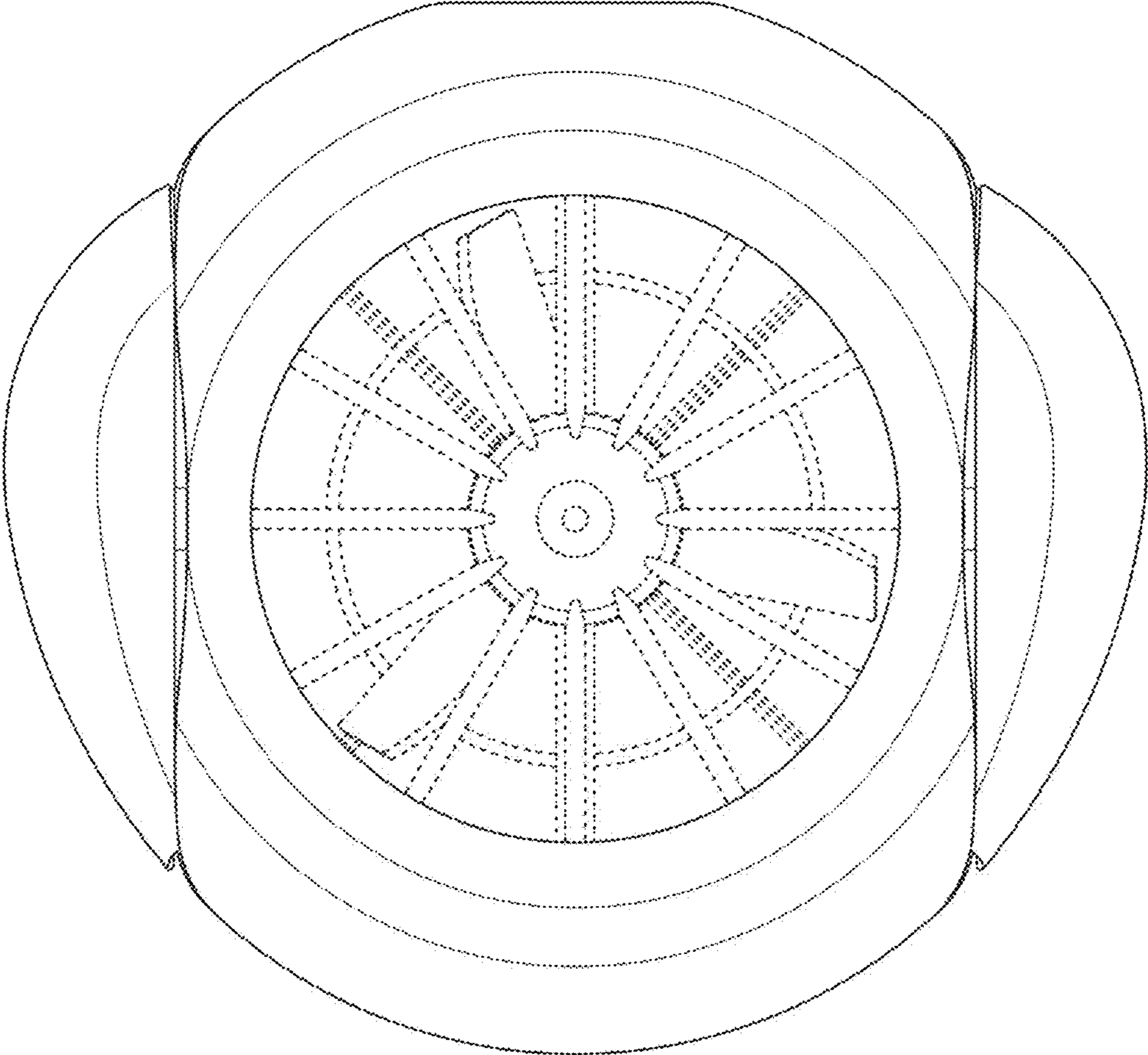


FIG. 2

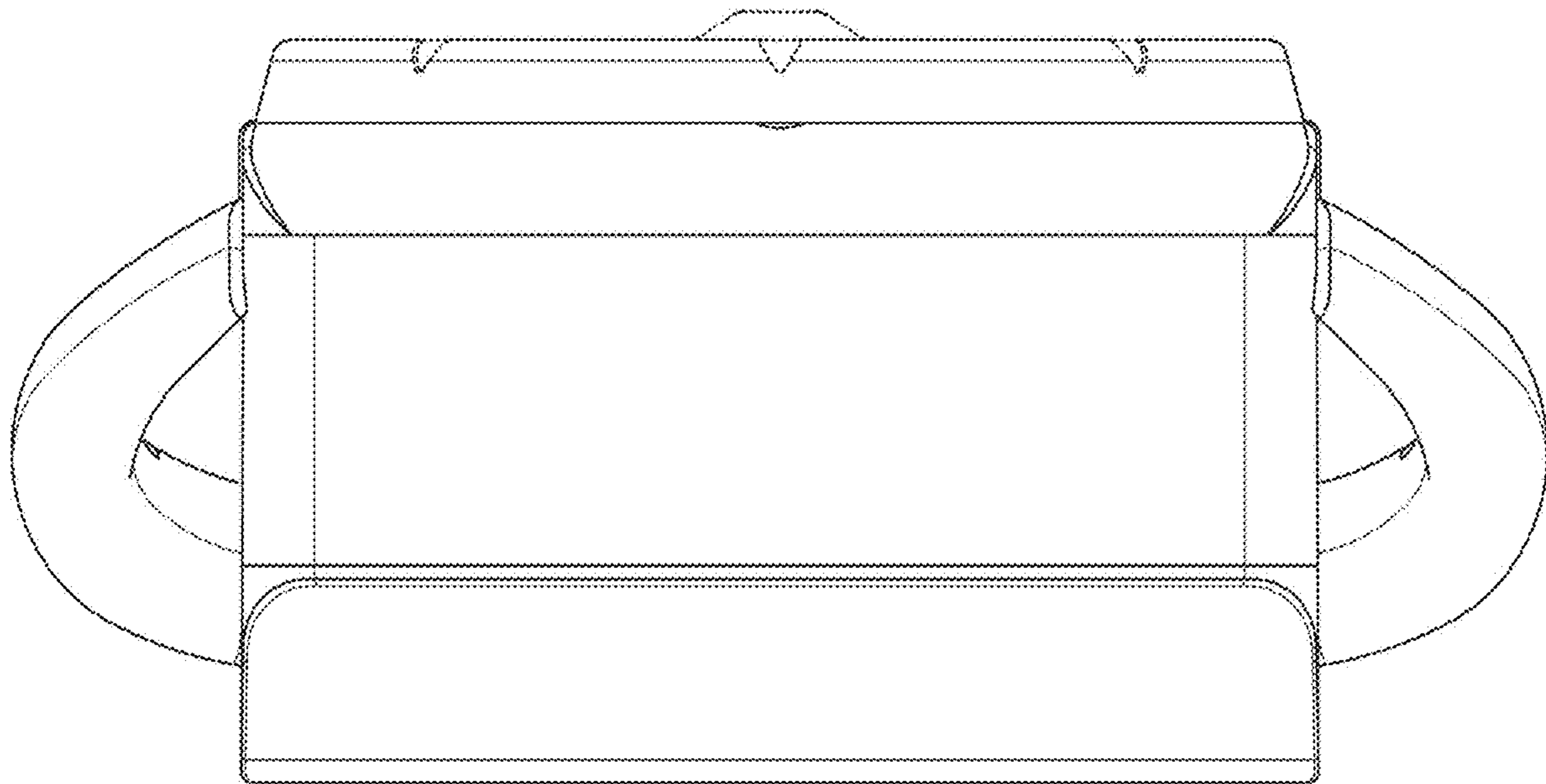


FIG. 3

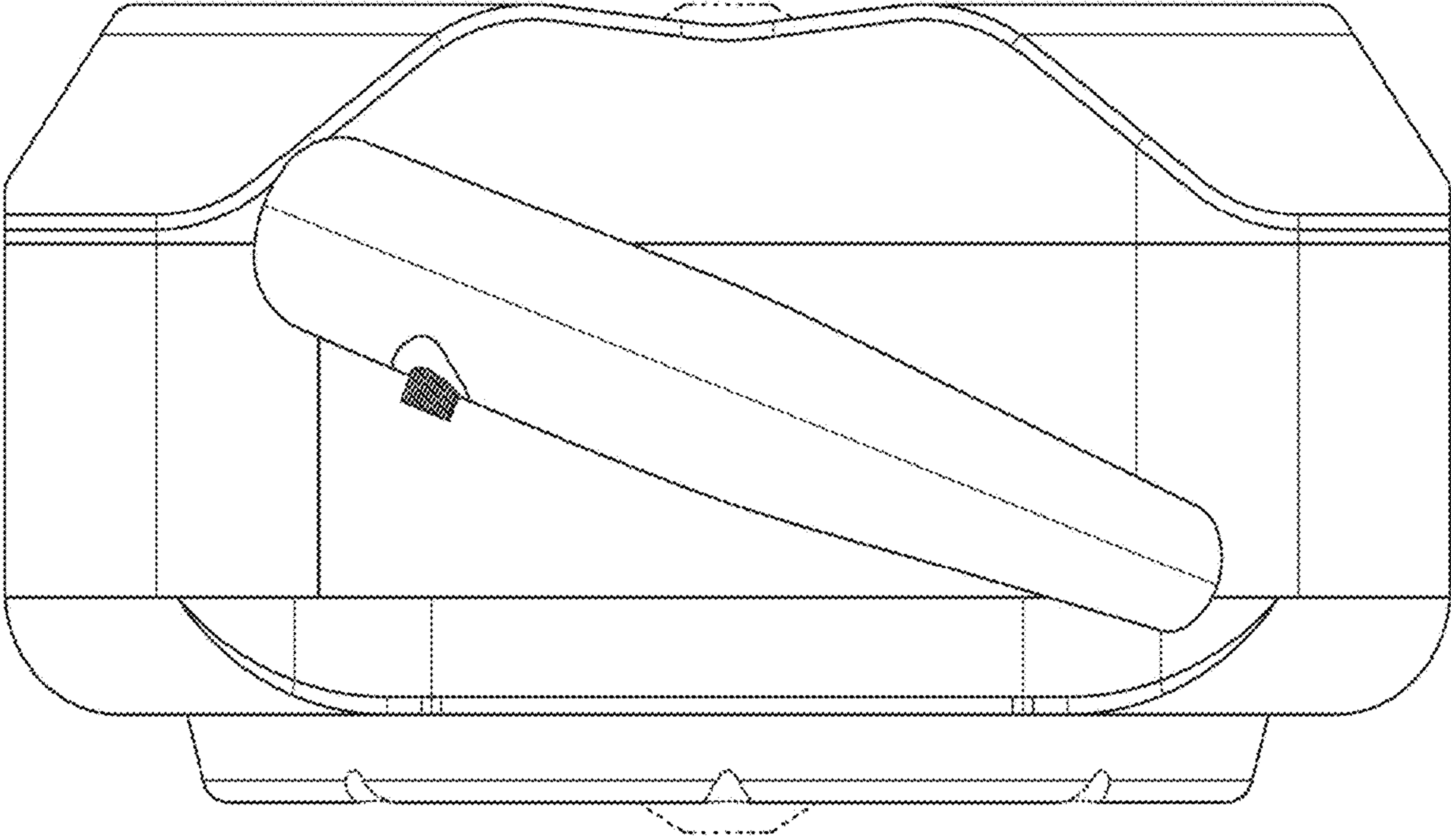


FIG. 4

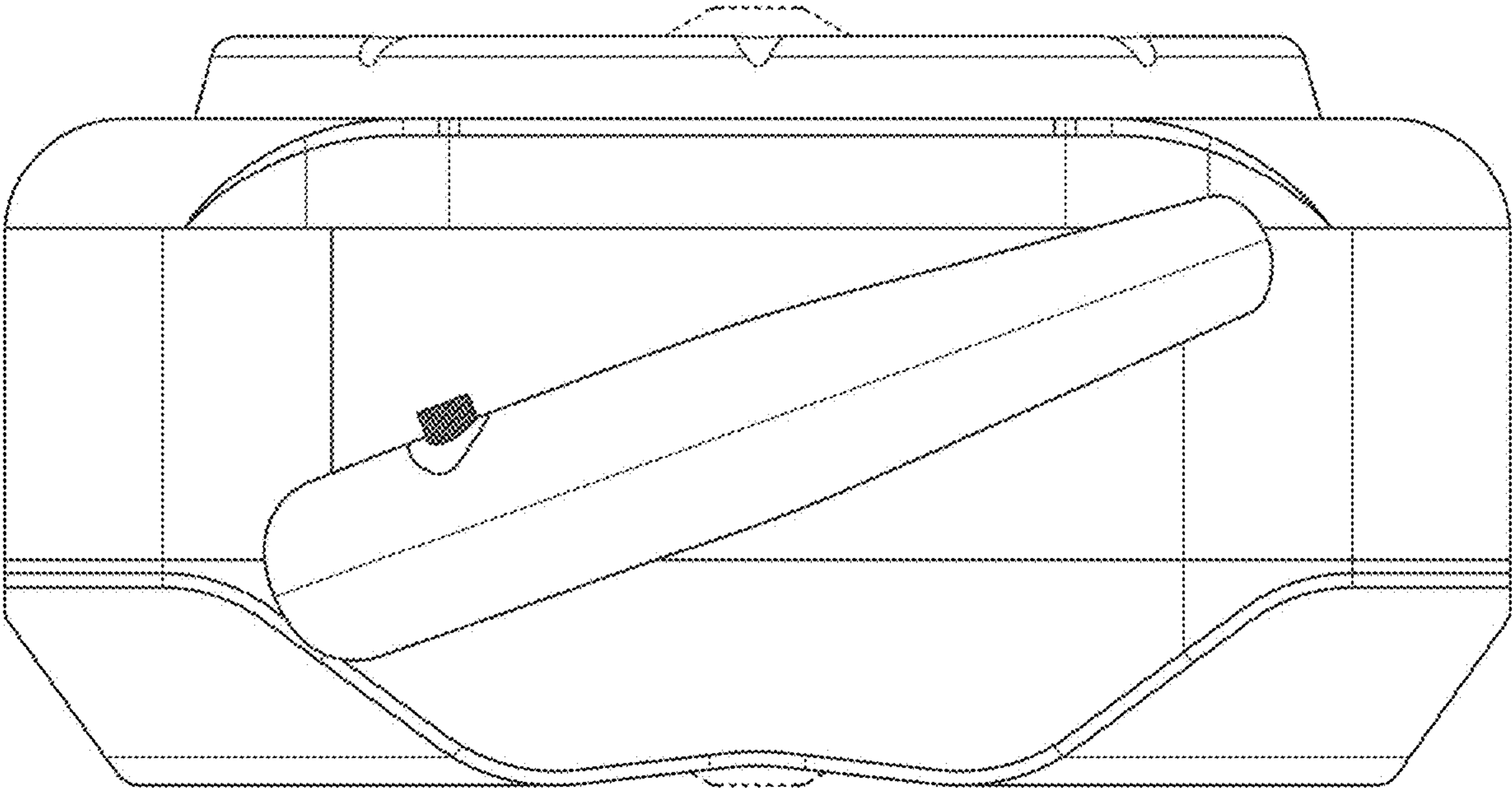


FIG. 5

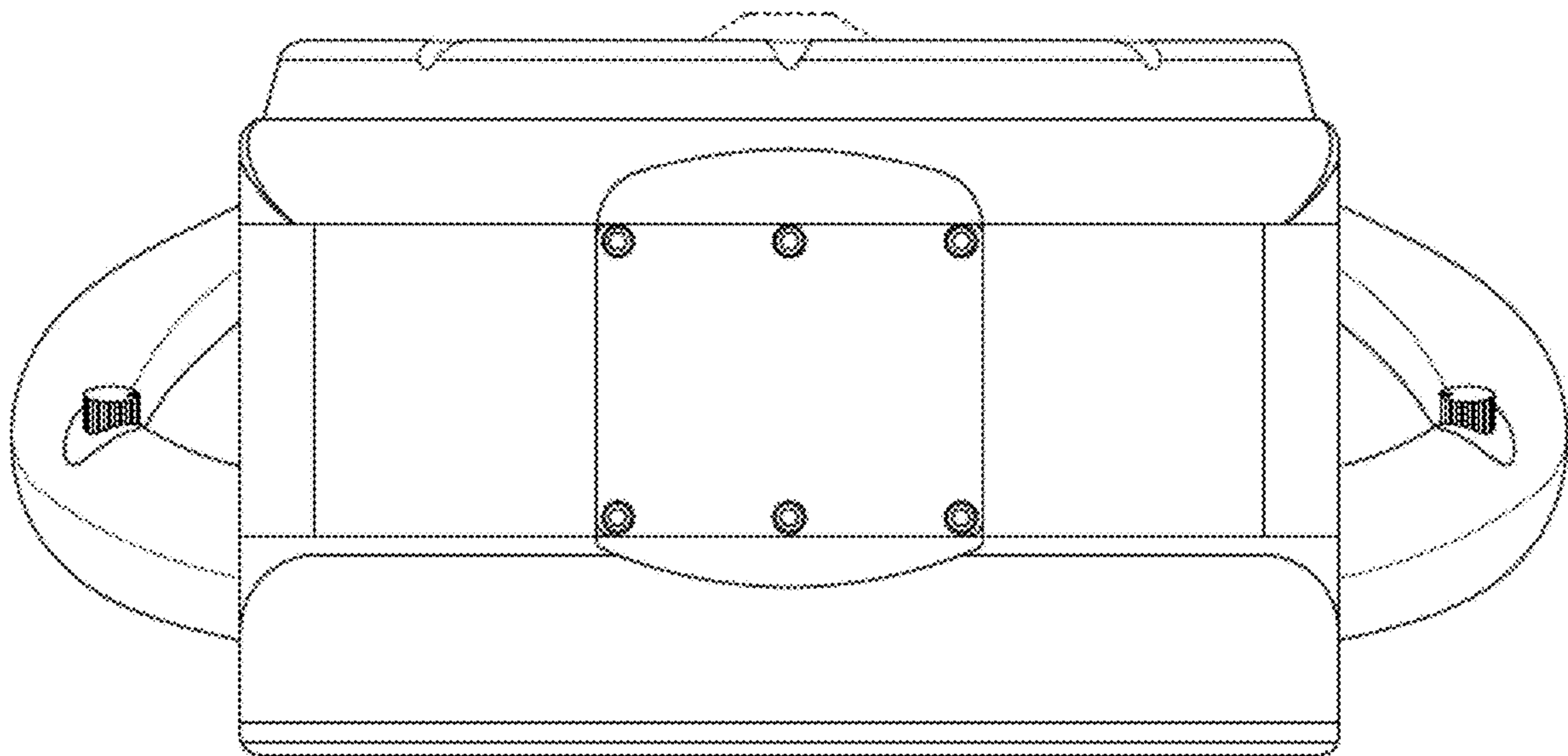


FIG. 6

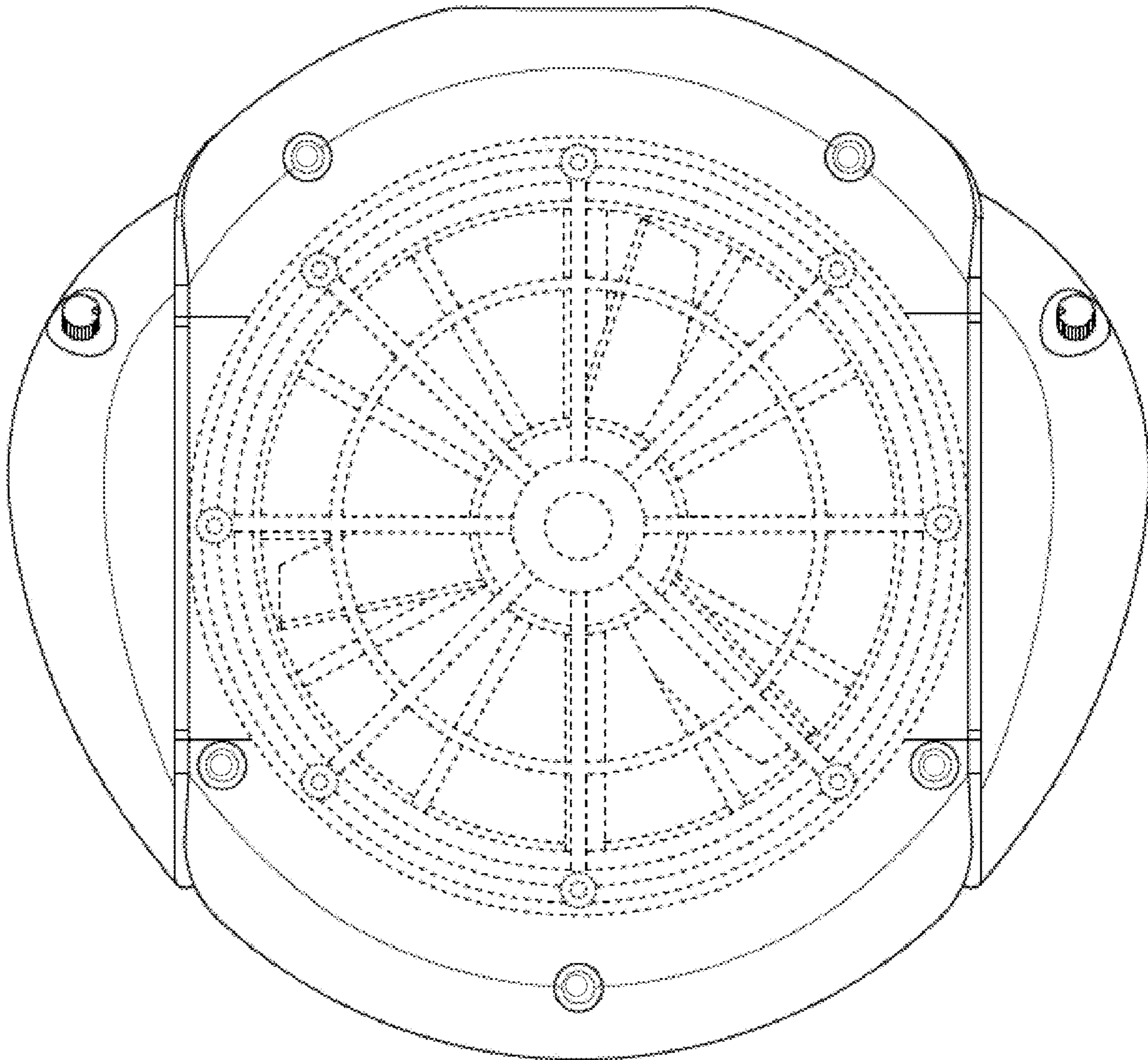


FIG. 7

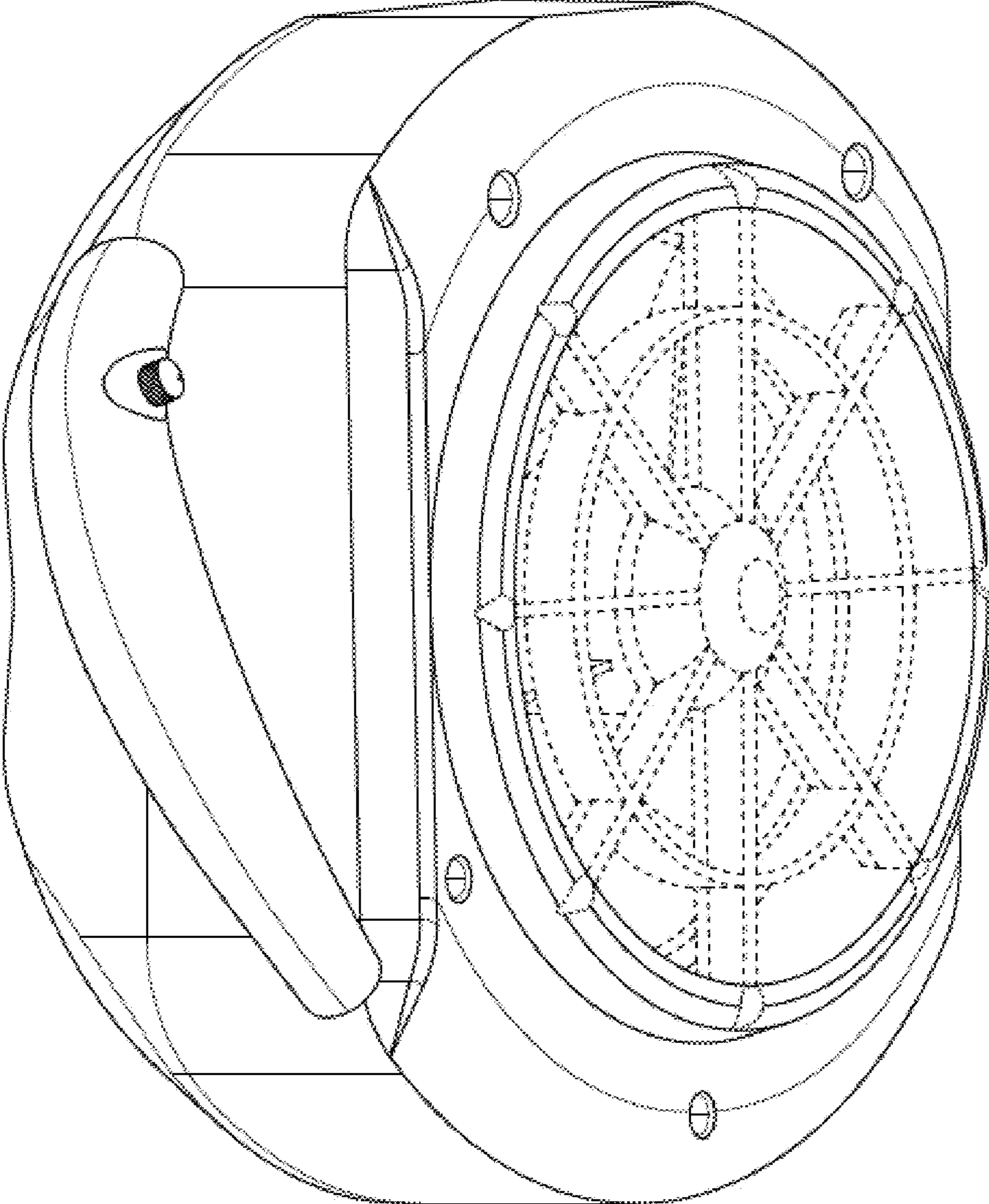


FIG. 8