



US00D915267S

(12) **United States Design Patent**  
**Shi et al.**

(10) **Patent No.:** **US D915,267 S**

(45) **Date of Patent:** **\*\* Apr. 6, 2021**

(54) **TONNEAU COVER SIDE-RAIL LOCKING DEVICE**

*Primary Examiner* — Sandra Snapp  
*Assistant Examiner* — Ieisha N Price

(71) Applicants: **Hang Shi**, Changzhou (CN); **Hongjuan Zheng**, Changzhou (CN)

(72) Inventors: **Hang Shi**, Changzhou (CN); **Hongjuan Zheng**, Changzhou (CN)

(73) Assignees: **Hang Shi**, Jiangsu (CN); **Hongjuan Zheng**, Jiangsu (CN)

(\*\*) Term: **15 Years**

(21) Appl. No.: **29/644,590**

(22) Filed: **Apr. 19, 2018**

(51) **LOC (13) Cl.** ..... **12-16**

(52) **U.S. Cl.**  
USPC ..... **D12/223**

(58) **Field of Classification Search**  
USPC ..... D8/349, 354, 382, 394, 395; D12/400, D12/223, 181, 184, 185  
CPC ... B60J 7/068; B60J 7/102; B60J 7/104; B60J 7/198; B60P 7/04; B60P 7/0815  
See application file for complete search history.

(56) **References Cited**

**U.S. PATENT DOCUMENTS**

|              |      |         |            |       |                          |
|--------------|------|---------|------------|-------|--------------------------|
| 4,805,479    | A *  | 2/1989  | Brightwell | ..... | F16C 1/105<br>74/502.4   |
| D308,405     | S *  | 6/1990  | Yoder      | ..... | D22/134                  |
| D749,940     | S *  | 2/2016  | Hermle     | ..... | D8/394                   |
| D767,983     | S *  | 10/2016 | Jiang      | ..... | D8/394                   |
| D793,852     | S *  | 8/2017  | Rathman    | ..... | D8/395                   |
| 10,151,124   | B2 * | 12/2018 | Faitl      | ..... | F16C 1/145               |
| 2009/0108622 | A1 * | 4/2009  | Damsi      | ..... | B60J 7/102<br>296/100.15 |
| 2013/0341960 | A1 * | 12/2013 | Garska     | ..... | B23P 11/00<br>296/100.18 |
| 2015/0145277 | A1 * | 5/2015  | Shi        | ..... | B60J 7/10<br>296/100.02  |

(Continued)

(57) **CLAIM**

The ornamental design for a tonneau cover side-rail locking device, as shown and described.

**DESCRIPTION**

FIG. 1 is a top view of an embodiment of a tonneau cover side-rail locking device. The broken-lines in the drawing illustrate portion of the tonneau cover side-rail locking device and form no part of the claimed design;

FIG. 2 is a bottom view of the tonneau cover side-rail locking device shown in FIG. 1;

FIG. 3 is a front view of the tonneau cover side-rail locking device shown in FIG. 1;

FIG. 4 is a rear view of the tonneau cover side-rail locking device shown in FIG. 1;

FIG. 5 is a left side view of the tonneau cover side-rail locking device shown in FIG. 1;

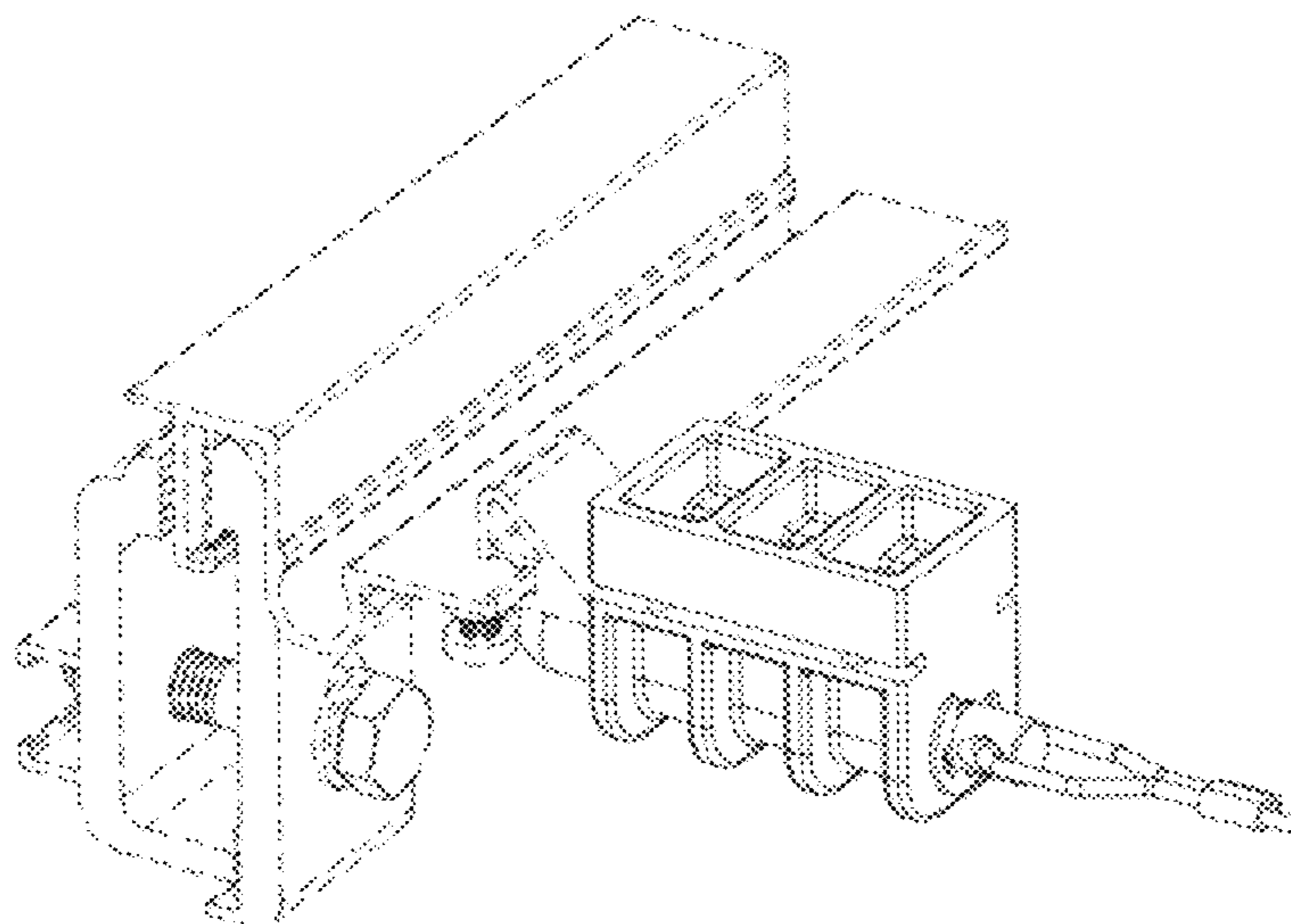
FIG. 6 is a right side view of the tonneau cover side-rail locking device shown in FIG. 1;

FIG. 7 is a perspective view of a smaller-scale version of the tonneau cover side-rail locking device shown in FIG. 1;

FIG. 8 is a perspective view of the tonneau cover side-rail locking device shown in FIG. 1, when being attached/locked to a side-rail system. The broken-line showing of the side-rail system illustrates the environment of the claimed design and form no part thereof; and,

FIG. 9 is a side view of the tonneau cover side-rail locking device shown in FIG. 1, when being attached/locked to a side-rail system. The broken-line showing of the side-rail system illustrates the environment of the claimed design and form no part thereof; all arranged in accordance to one embodiment of the present disclosure.

**1 Claim, 3 Drawing Sheets**



(56)

**References Cited**

U.S. PATENT DOCUMENTS

|              |     |         |                   |                          |
|--------------|-----|---------|-------------------|--------------------------|
| 2016/0039274 | A1* | 2/2016  | Smith .....       | B60J 7/102<br>296/100.02 |
| 2016/0096421 | A1* | 4/2016  | Facchinello ..... | B60J 7/106<br>292/256    |
| 2017/0197498 | A1* | 7/2017  | Facchinello ..... | B60J 7/198               |
| 2018/0244189 | A1* | 8/2018  | Wilson .....      | B60P 7/0815              |
| 2018/0281576 | A1* | 10/2018 | Zichettello ..... | B60J 10/80               |
| 2018/0345768 | A1* | 12/2018 | Frederick .....   | B60J 7/198               |
| 2019/0001800 | A1* | 1/2019  | Williamson .....  | B60J 7/141               |
| 2019/0061498 | A1* | 2/2019  | DeLong .....      | B60J 7/198               |

\* cited by examiner

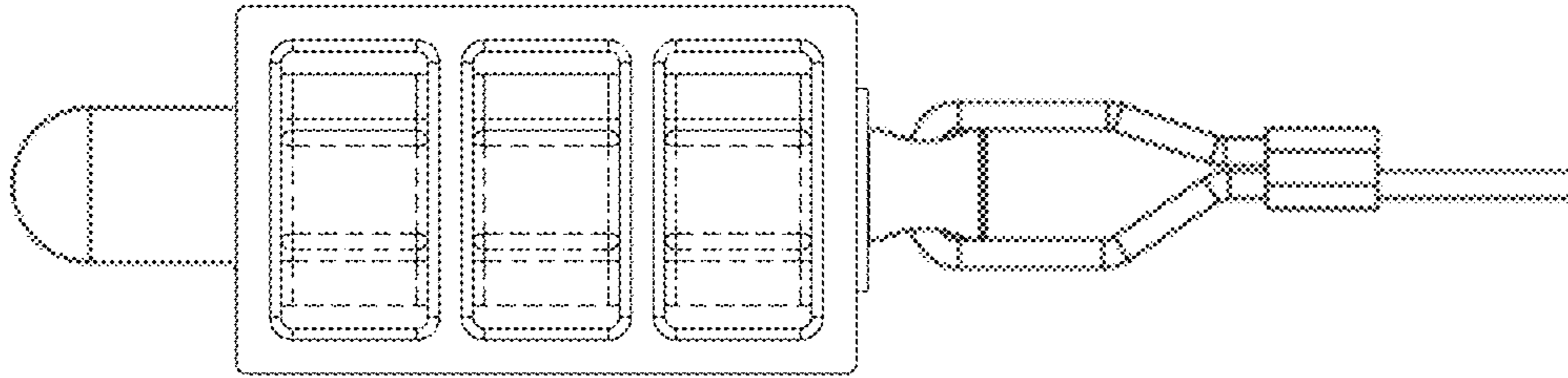


Figure 1

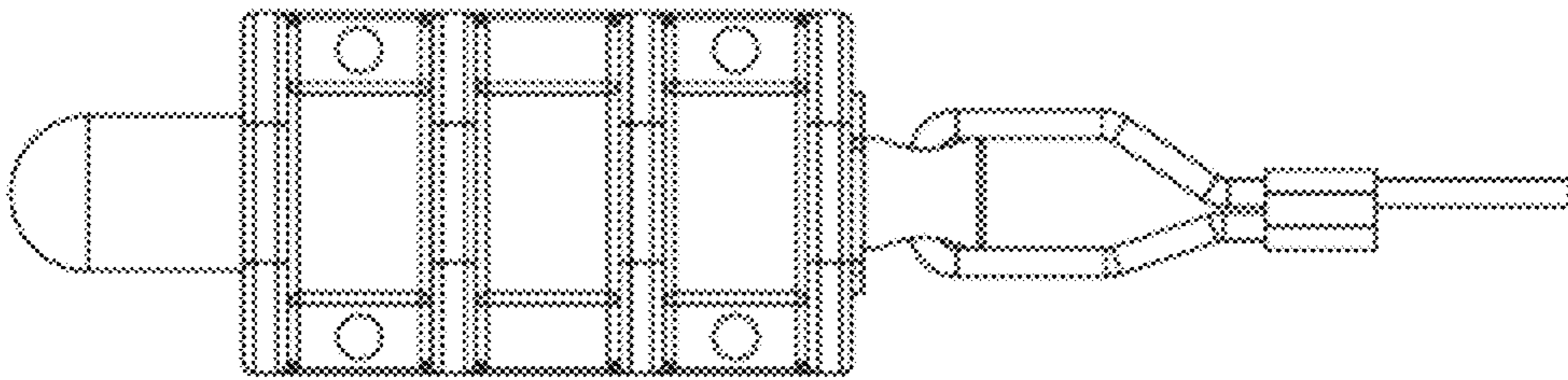


Figure 2

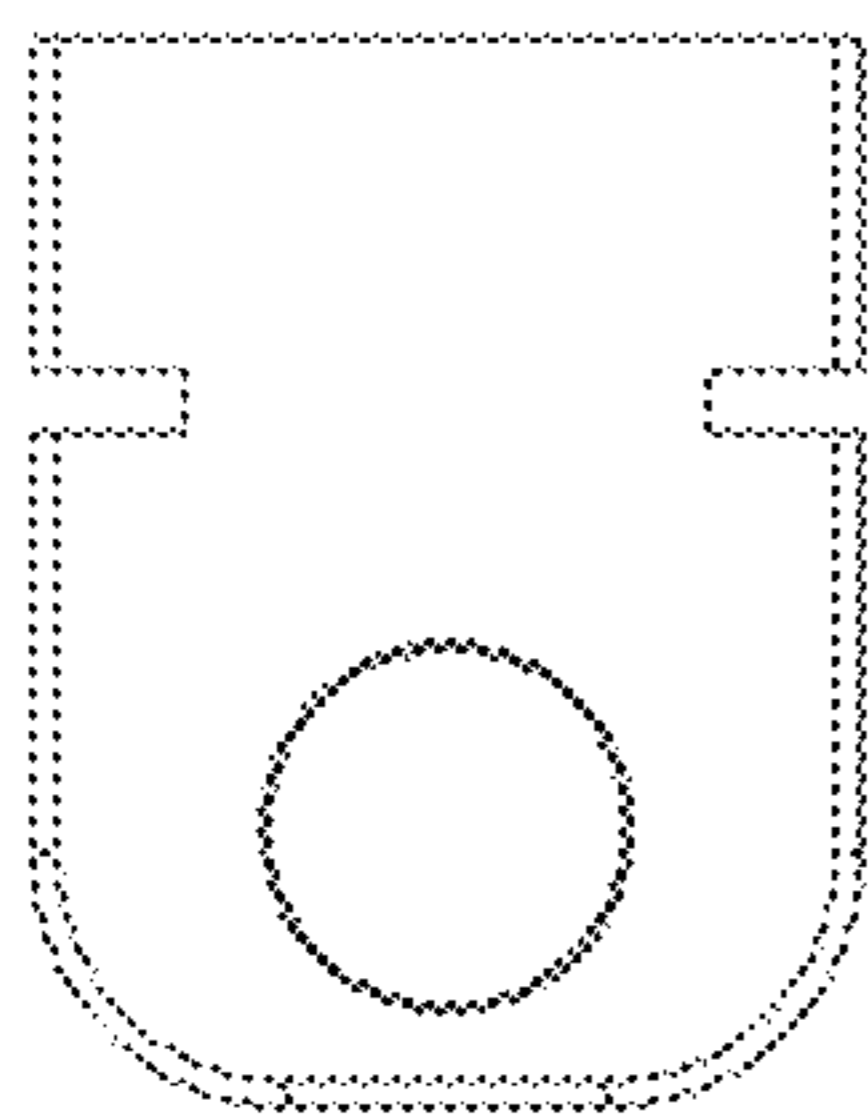


Figure 3

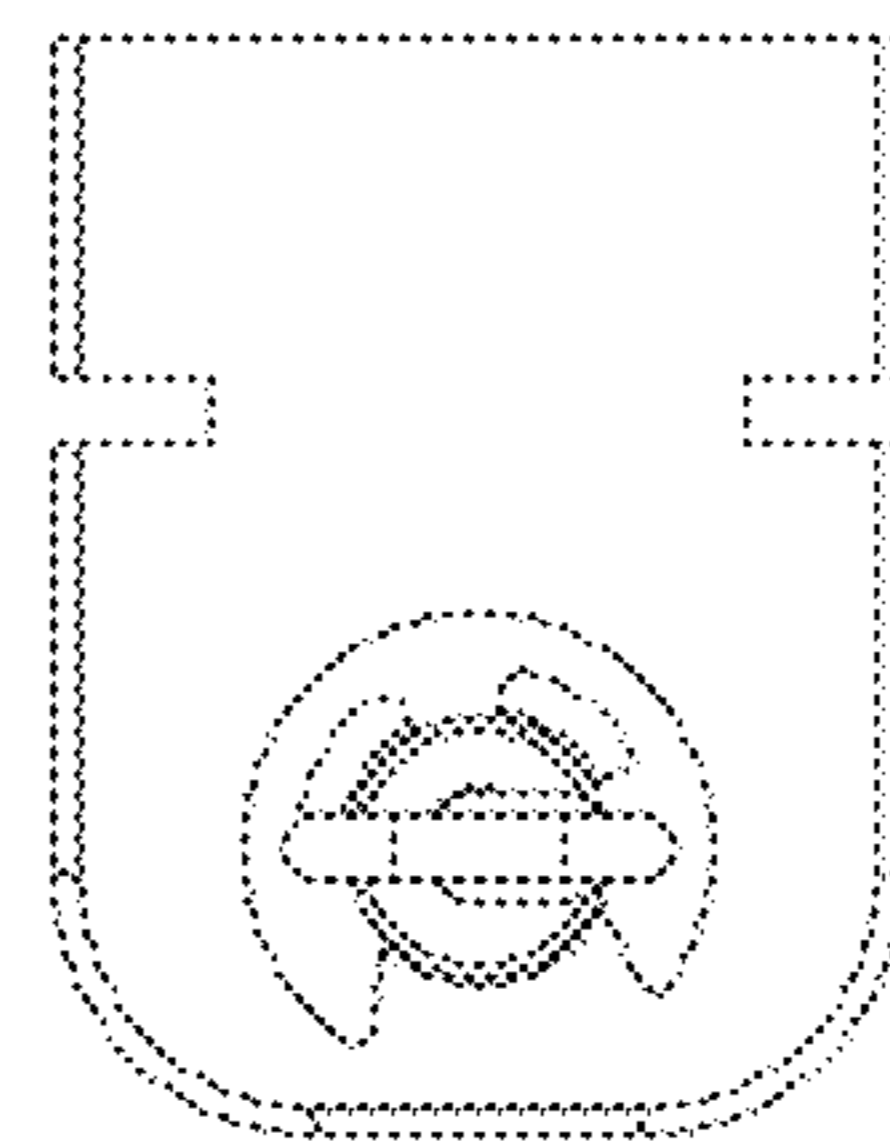


Figure 4

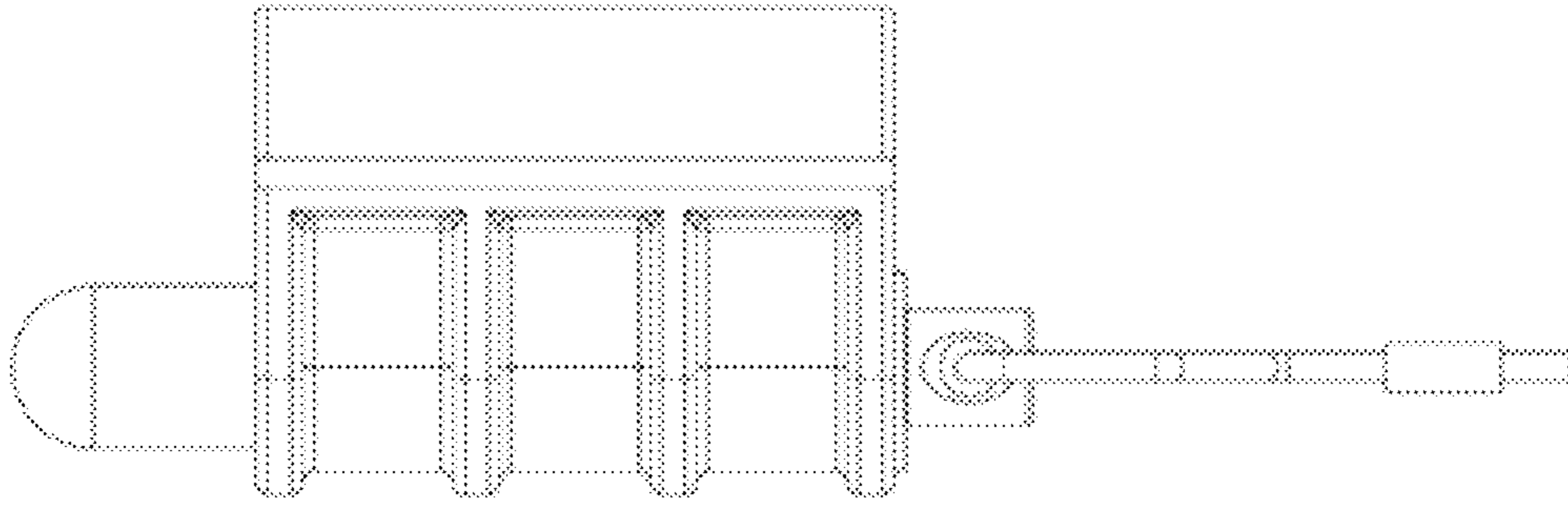


Figure 5

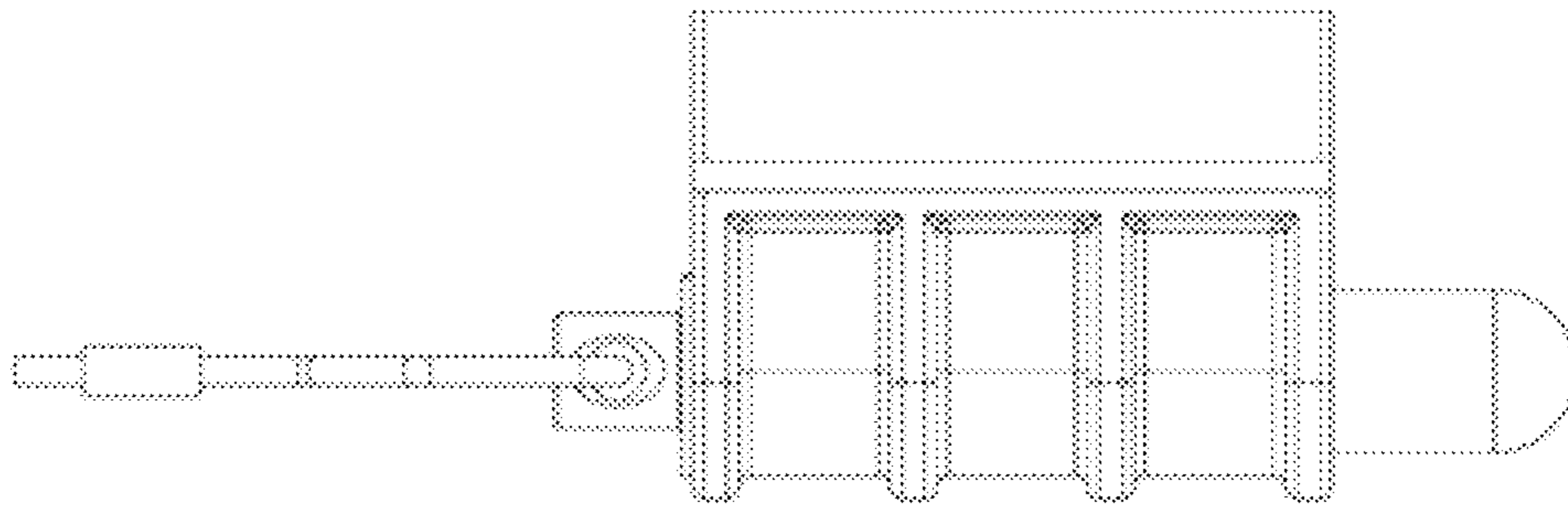


Figure 6

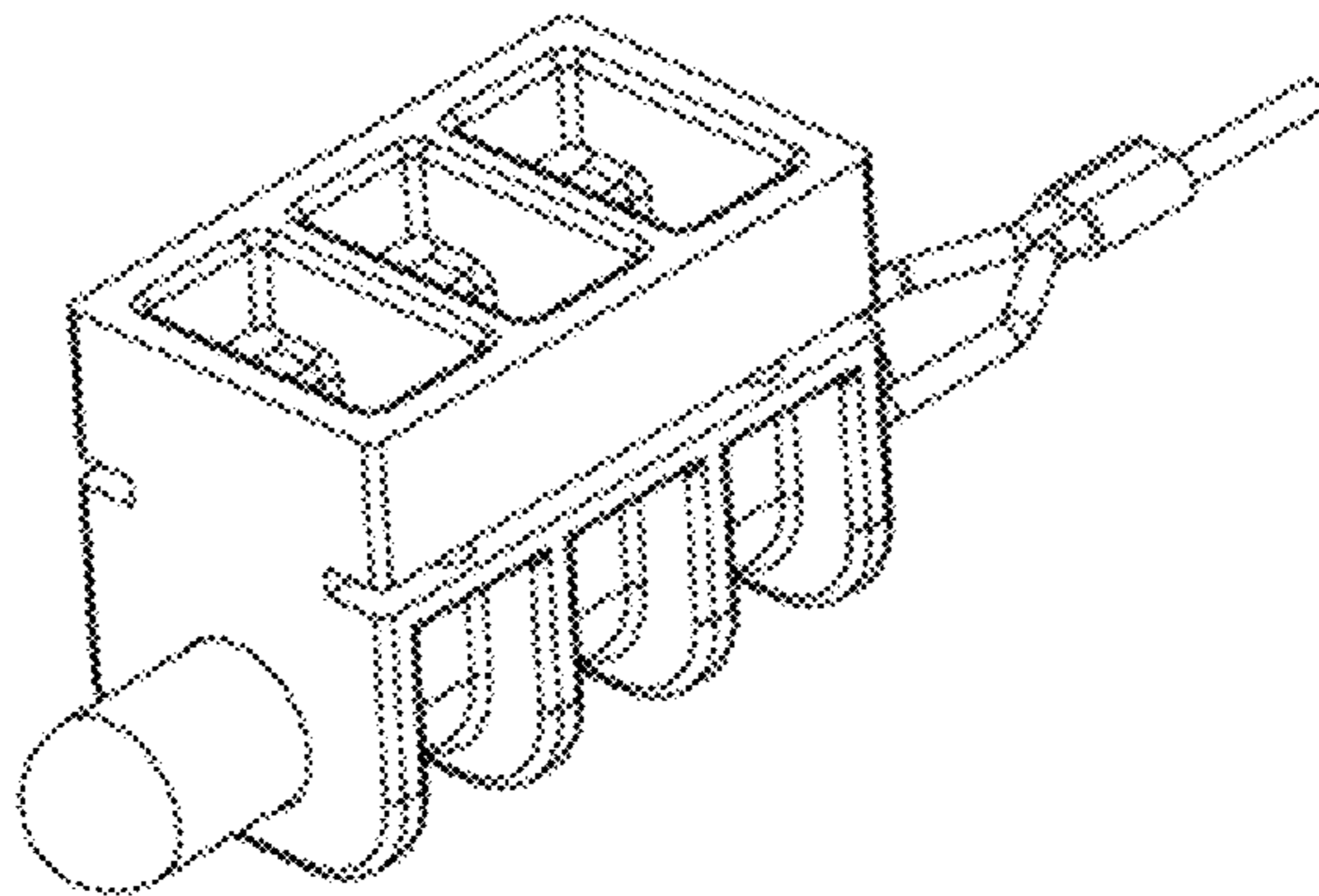


Figure 7

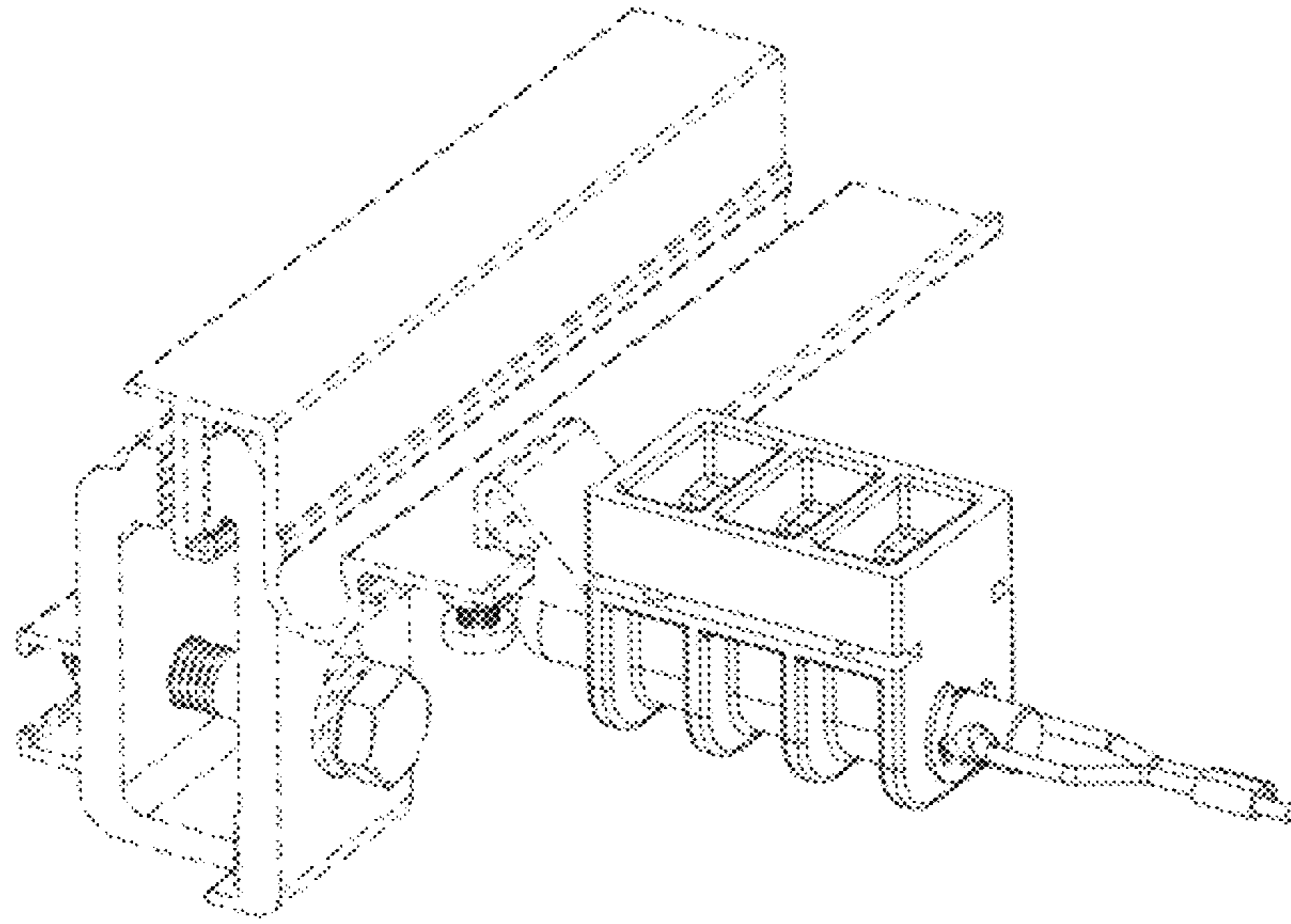


Figure 8

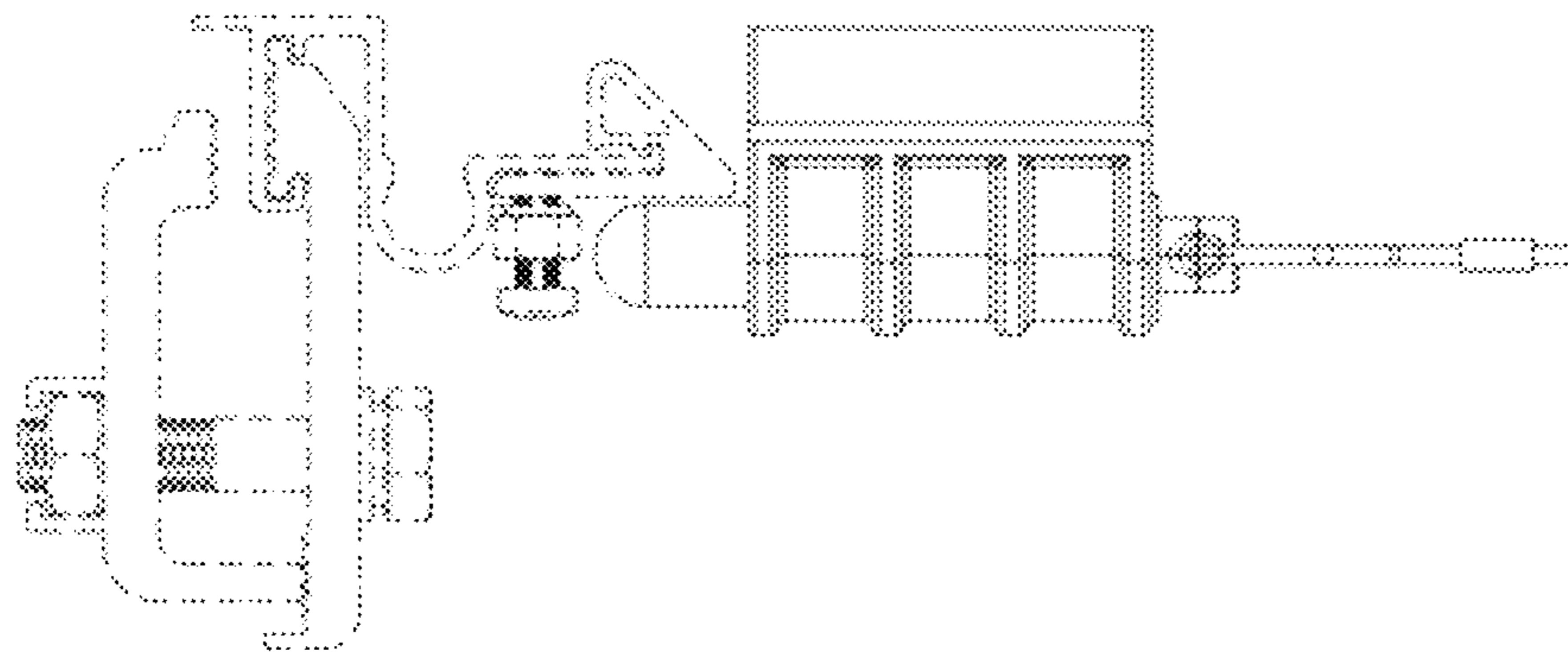


Figure 9