



US00D915261S

(12) **United States Design Patent**  
**Chan**

(10) **Patent No.:** **US D915,261 S**

(45) **Date of Patent:** **\*\* Apr. 6, 2021**

(54) **DOOR PANEL**

(71) Applicant: **HONDA MOTOR CO., LTD.**, Tokyo  
(JP)

(72) Inventor: **Douglas Chan**, Torrance, CA (US)

(73) Assignee: **HONDA MOTOR CO., LTD.**, Tokyo  
(JP)

(\*\*) Term: **15 Years**

(21) Appl. No.: **29/700,179**

(22) Filed: **Jul. 31, 2019**

(51) **LOC (13) Cl.** ..... **12-08**

(52) **U.S. Cl.**  
USPC ..... **D12/195**

(58) **Field of Classification Search**  
USPC ..... D12/190, 195, 196, 414; D15/17, 28;  
D10/46, 98, 102, 103; D8/302, 303, 305,  
D8/307, 315

CPC ..... E05B 77/02; E05B 77/04; E05B 81/32;  
E05B 81/76; E05B 81/78; E05B 85/16;  
B60J 5/04; B60N 2/466; B60N 2/4693;  
B60R 13/0243; B60R 13/02

See application file for complete search history.

(56) **References Cited**

**U.S. PATENT DOCUMENTS**

D435,003 S *	12/2000	Tsay	.....	D12/195
D518,763 S *	4/2006	Sudo	.....	D12/195
D519,429 S *	4/2006	Miyashita	.....	D12/195
D529,425 S *	10/2006	Maazono	.....	D12/195
D531,101 S *	10/2006	Yu	.....	D12/195
D534,849 S *	1/2007	Tamagawa	.....	D12/195
D586,279 S *	2/2009	Yamazaki	.....	D12/195
D595,200 S *	6/2009	Rosenbohm	.....	D12/195
D612,785 S *	3/2010	Inagaki	.....	D12/195
D616,348 S *	5/2010	Rosenbohm	.....	D12/195
D633,022 S *	2/2011	Hwang	.....	D12/195

D633,023 S *	2/2011	Hwang	.....	D12/195
D671,872 S *	12/2012	Tago	.....	D12/195
D672,299 S *	12/2012	Matsuda	.....	D12/195
D675,142 S *	1/2013	Matsuo	.....	D12/195

(Continued)

**OTHER PUBLICATIONS**

Honda OME Accord Coupe Left Driver Side Interior Door Panel  
Leather Black, Amazon.com, Date First Available: Mar. 22, 2017,  
[online], [site visited Oct. 13, 2020]. <URL: <https://www.amazon.com/Honda-Accord-Driver-Interior-Leather/dp/B00OMYYFEM>>  
(Year: 2017).\*

(Continued)

*Primary Examiner* — T Chase Nelson  
*Assistant Examiner* — Jonathan J. Han

(74) *Attorney, Agent, or Firm* — Arent Fox LLP

(57) **CLAIM**

The ornamental design for a door panel, as shown and described.

**DESCRIPTION**

FIG. 1 is a front left perspective view of a door panel showing my new design;

FIG. 2 is a rear left perspective view of the design shown in FIG. 1;

FIG. 3 is a rear right perspective view of the design shown in FIG. 1;

FIG. 4 is a front right perspective view of the design shown in FIG. 1;

FIG. 5 is a left side view of the design shown in FIG. 1;

FIG. 6 is a right side view of the design shown in FIG. 1;

FIG. 7 is a rear view of the design shown in FIG. 1;

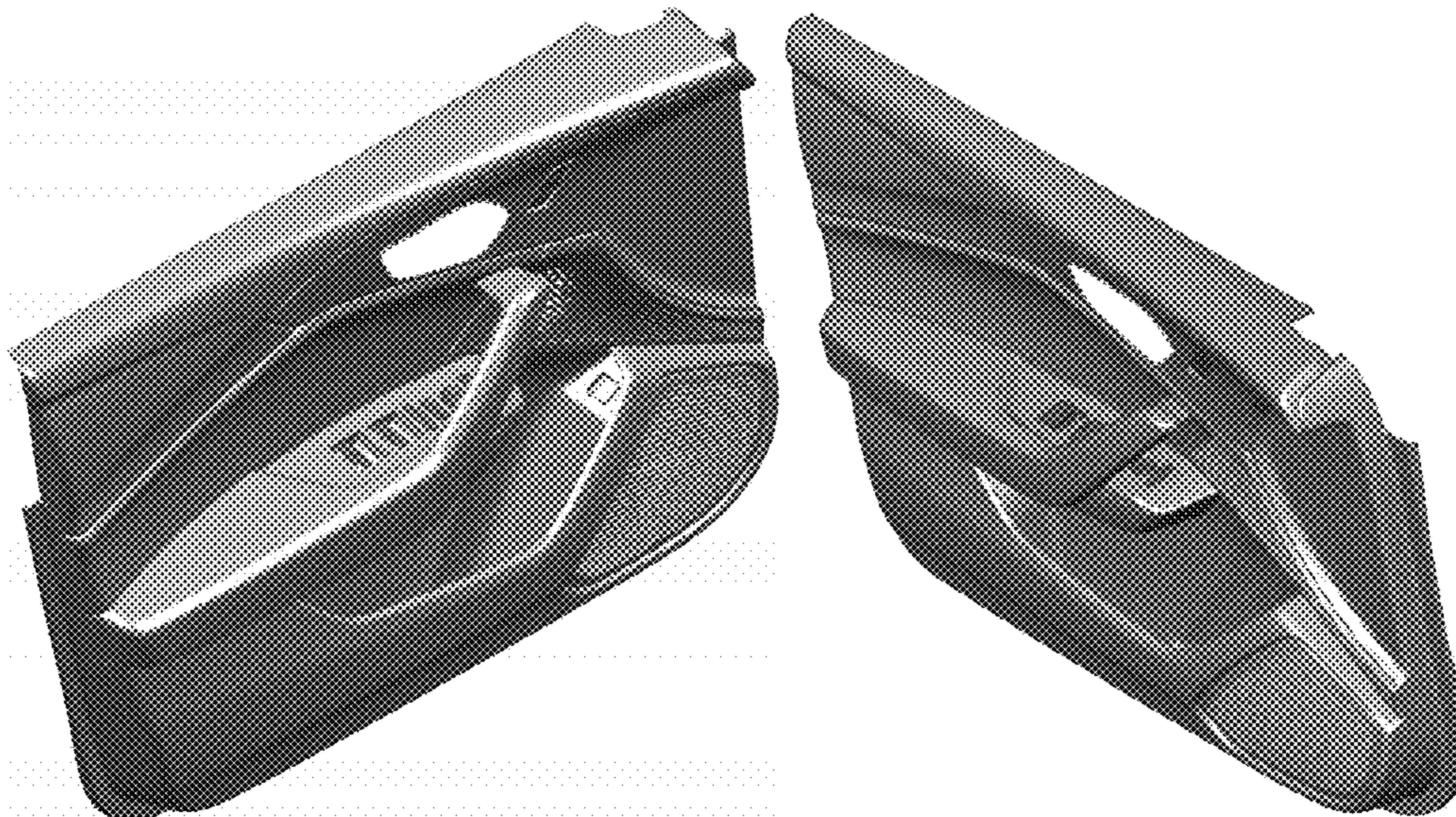
FIG. 8 is a front view of the design shown in FIG. 1;

FIG. 9 is a top view of the design shown in FIG. 1; and,

FIG. 10 is a bottom view of the design shown in FIG. 1.

The broken lines shown in the figures are included for the purpose of illustrating portions of the door panel that form no part of the claimed design.

**1 Claim, 10 Drawing Sheets**



(56)

**References Cited**

U.S. PATENT DOCUMENTS

D685,707 S *	7/2013	Yu .....	D12/195
D704,612 S *	5/2014	Nakao .....	D12/195
D710,282 S *	8/2014	Min .....	D12/195
D712,813 S *	9/2014	Tanaka .....	D12/195
D714,700 S *	10/2014	Yamamoto .....	D12/195
D716,210 S *	10/2014	Ishikawa .....	D12/195
D756,873 S *	5/2016	Donckerwolke .....	D12/195
D761,176 S *	7/2016	Sandys .....	D12/195
D766,791 S *	9/2016	Buffery .....	D12/195
D766,792 S *	9/2016	Shimizu .....	D12/195
D768,042 S *	10/2016	Lee .....	D12/195
D807,267 S *	1/2018	Higashimori .....	D12/195
D816,571 S *	5/2018	Wiedeman .....	D12/195
D823,760 S *	7/2018	Sato .....	D12/195
D835,554 S *	12/2018	Yamamoto .....	D12/195
D840,888 S *	2/2019	Takagi .....	D12/195
D878,267 S *	3/2020	Yu .....	D12/196
D880,386 S *	4/2020	Nakao .....	D12/195
D889,346 S *	7/2020	Warner .....	D12/196

OTHER PUBLICATIONS

RH Front Interior Door Panel 02-05 Audi A4 B6 Sedan—Black Leather—Genuine, CarParts4Sale.com, [online], [site visited Oct. 13, 2020]. <URL: <https://carparts4sale.com/passenger-front-door-panel-02-05-audi-a4-b6-rh-interior-black-leather-sedan-cp020786>> (Year: 2020).\*

\* cited by examiner



FIG. 1

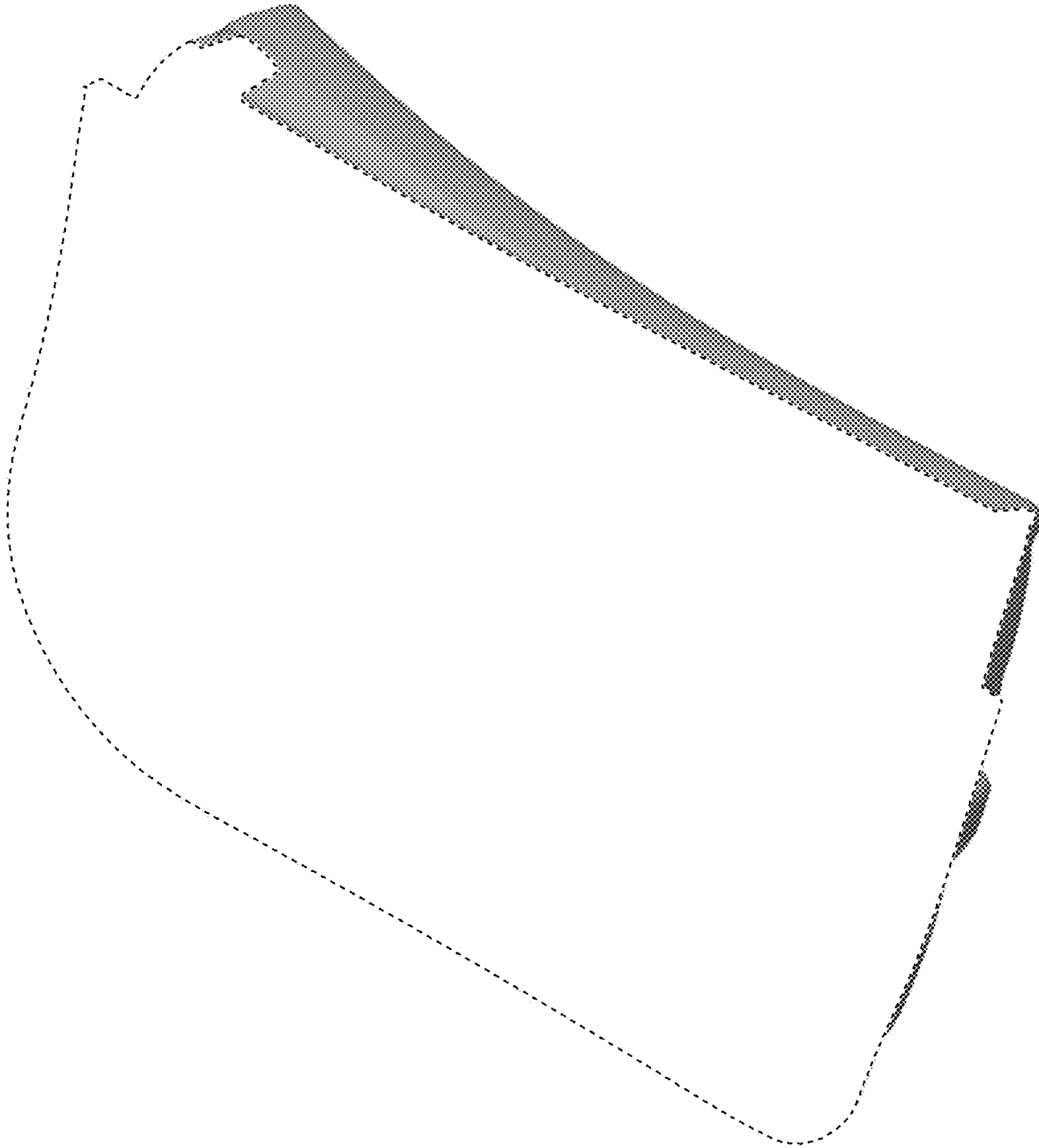


FIG. 2

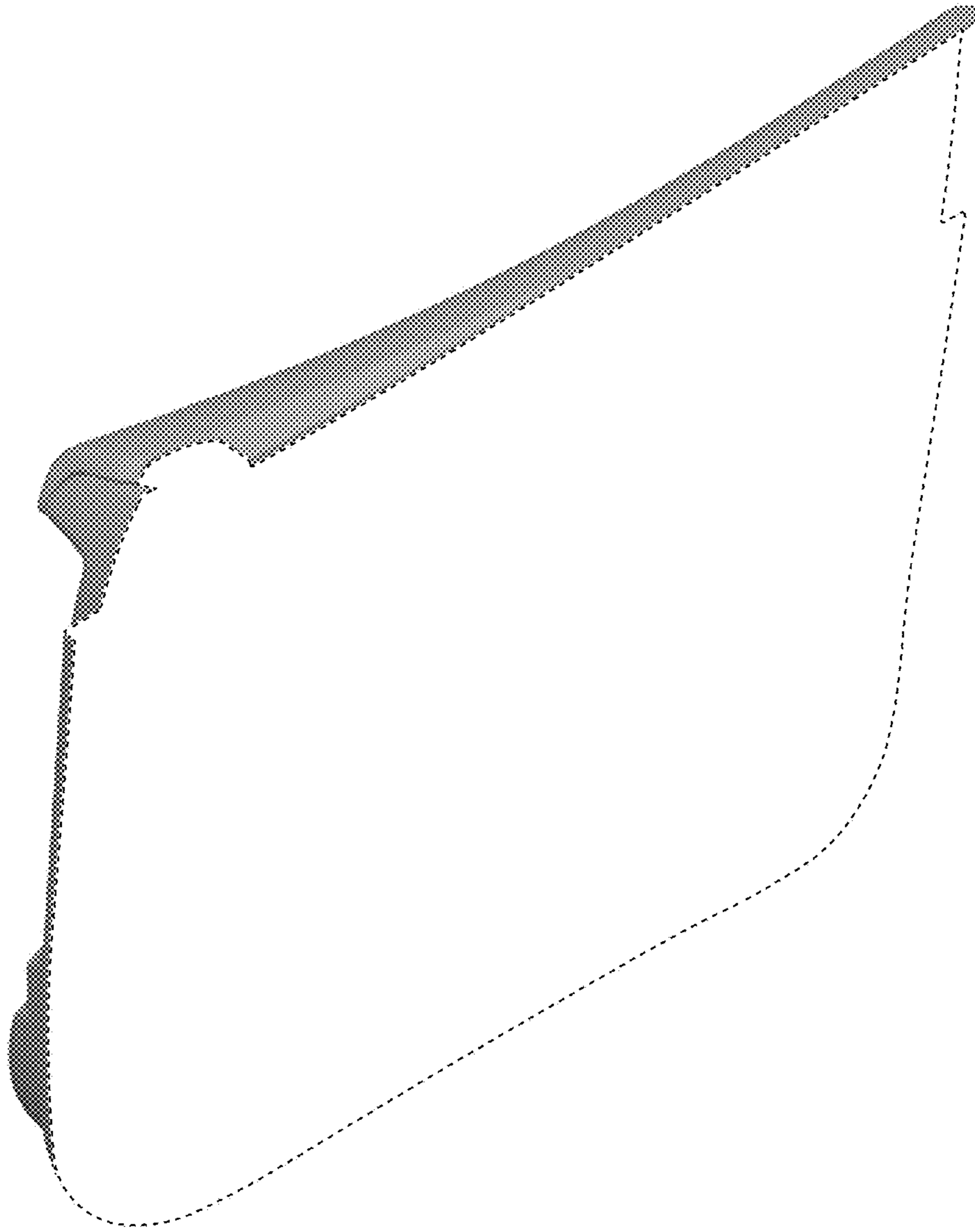


FIG. 3

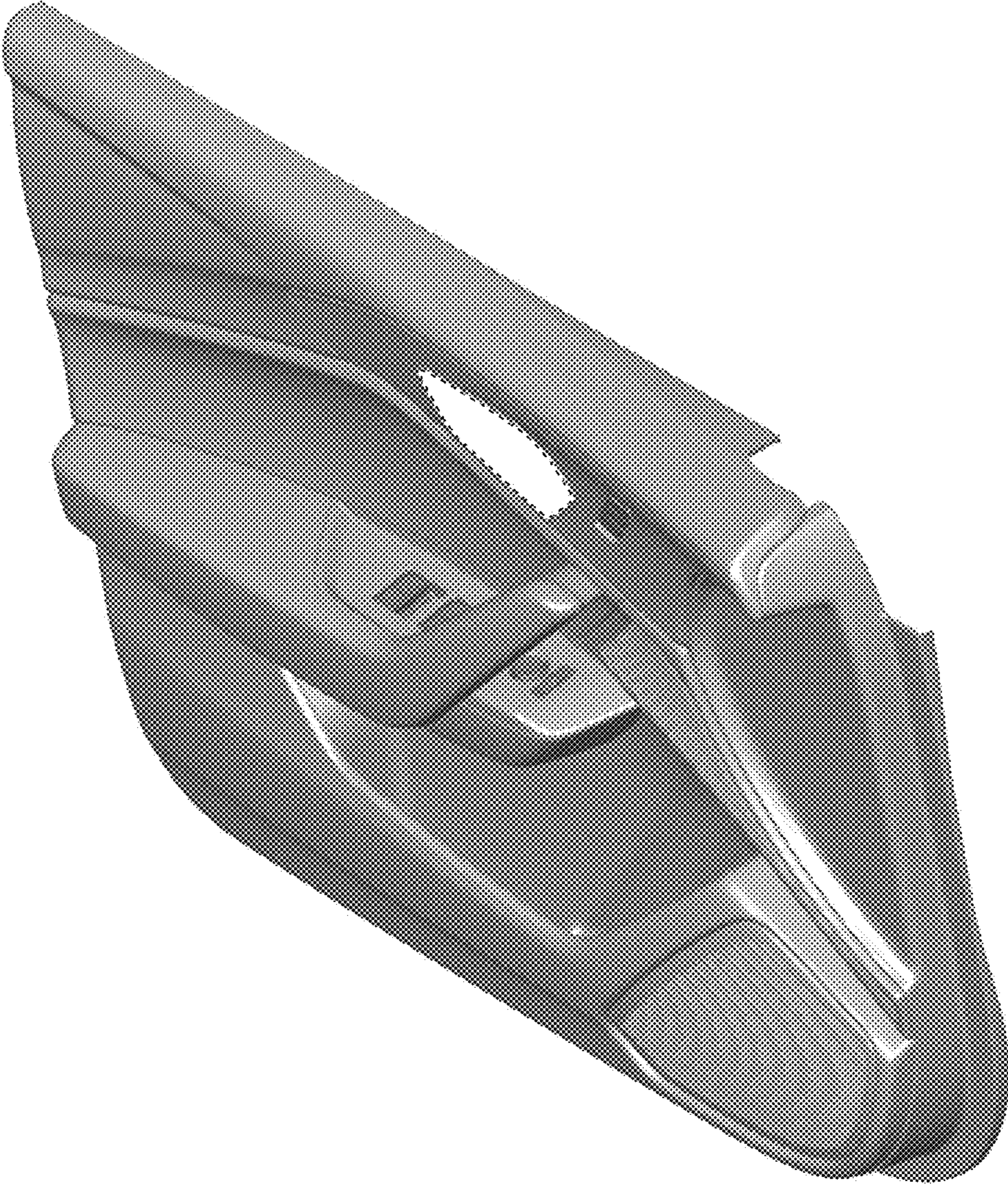


FIG. 4

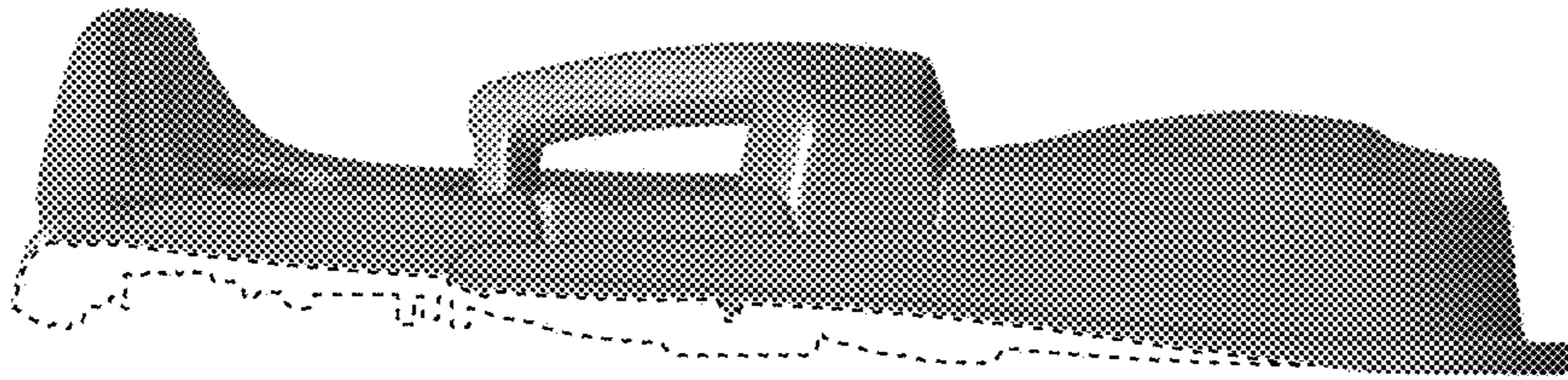


FIG. 5

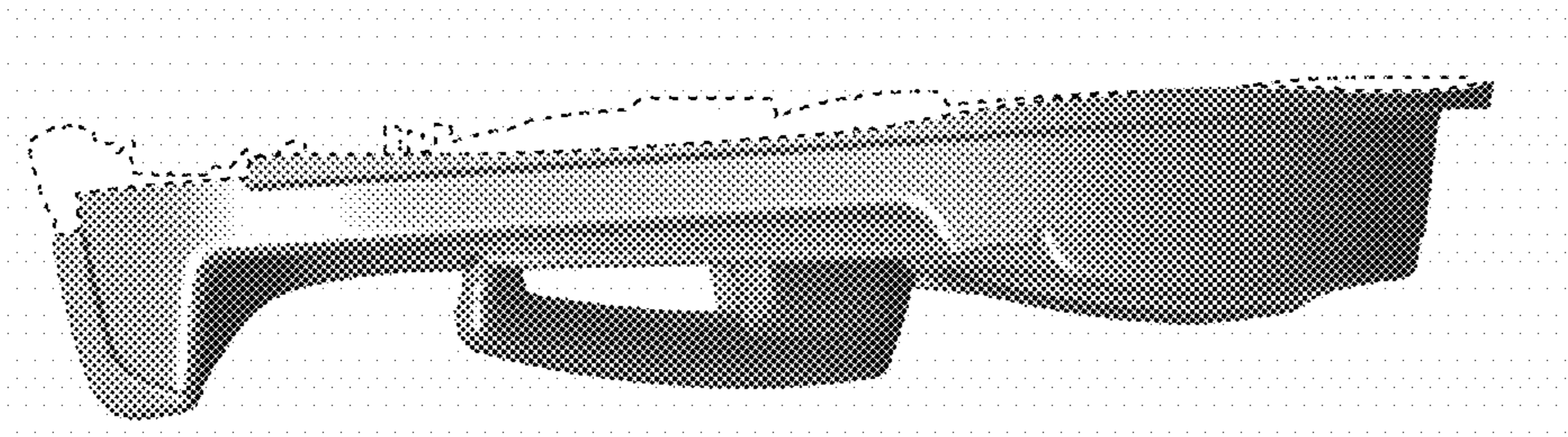


FIG. 6



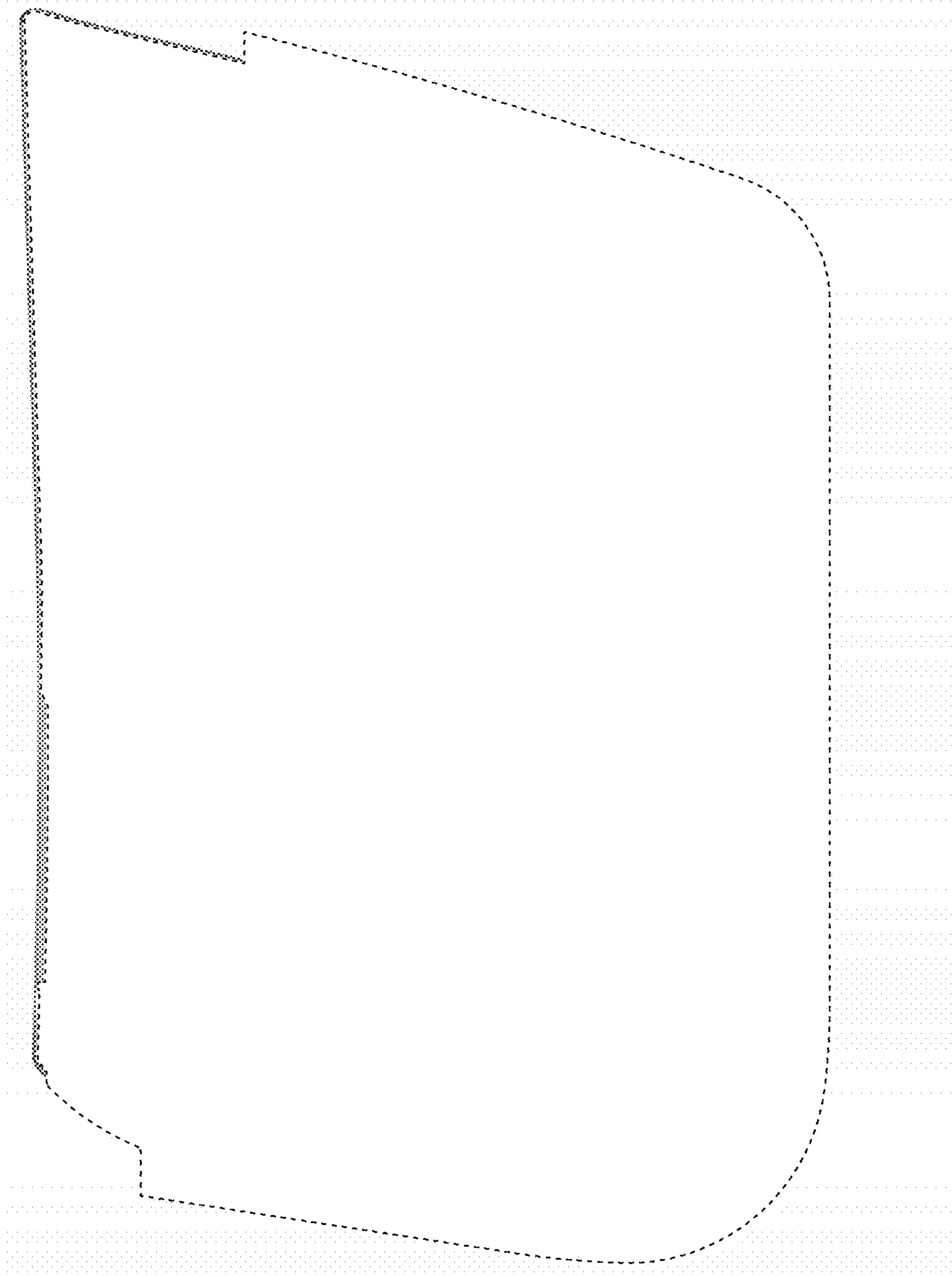


FIG. 7



FIG. 8

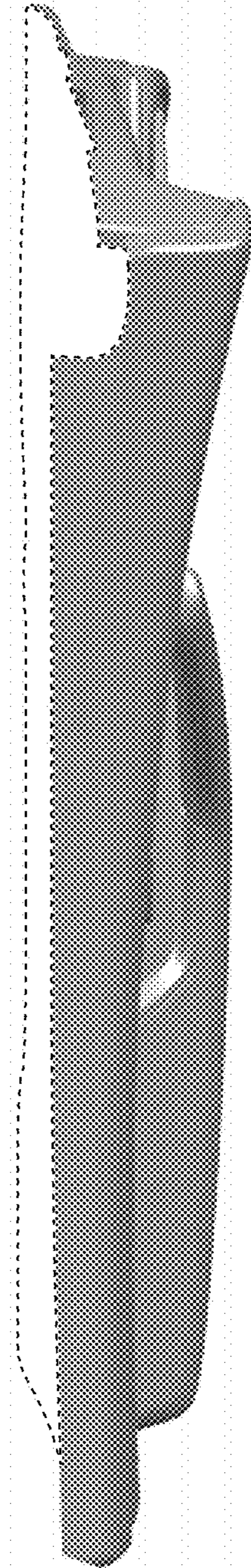


FIG. 9

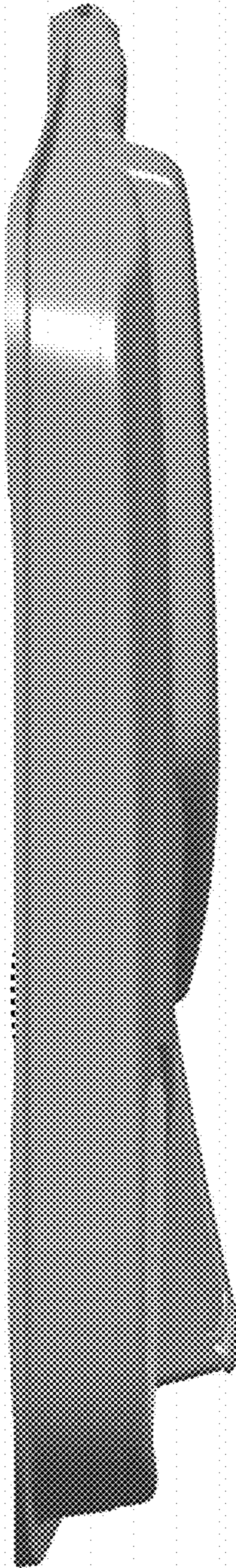


FIG. 10