



US00D915260S

(12) **United States Design Patent** (10) **Patent No.:** **US D915,260 S**
Akrapovič et al. (45) **Date of Patent:** **** Apr. 6, 2021**

(54) **EXHAUST PIPE**
(71) Applicant: **Igor Akrapovič**, Ljubljana (SI)
(72) Inventors: **Igor Akrapovič**, Ljubljana (SI); **Ermin Kosovel**, Zgornje Gorje (SI); **Mitja Mahnič**, Škofljica (SI)
(**) Term: **15 Years**
(21) Appl. No.: **35/508,648**
(22) Filed: **Apr. 19, 2019**
(80) **Hague Agreement Data**
Int. Filing Date: **Apr. 19, 2019**
Int. Reg. No.: **DM/205791**
Int. Reg. Date: **Apr. 19, 2019**
Int. Reg. Pub. Date: **Feb. 14, 2020**

(30) **Foreign Application Priority Data**
Oct. 25, 2018 (EM) 005808854
(51) **LOC (13) Cl.** **15-01**
(52) **U.S. Cl.**
USPC **D12/194**
(58) **Field of Classification Search**
USPC D12/110, 194; D15/5
CPC ... F01N 1/00; F01N 1/003; F01N 1/02; F01N 1/04; F01N 1/10; F01N 1/24; F01N 13/08; F01N 13/082; F01N 13/085; F01N 13/087
See application file for complete search history.

(56) **References Cited**
U.S. PATENT DOCUMENTS
D550,134 S * 9/2007 Akrapovic D12/194
D589,422 S * 3/2009 Davis, Jr. D12/194

D593,014 S * 5/2009 Marovic D12/194
D804,382 S * 12/2017 Akrapovic D12/194
D816,570 S * 5/2018 Akrapovic D12/194
D833,936 S * 11/2018 Akrapovic D12/194
D836,514 S * 12/2018 Akrapovic D12/194
D840,887 S * 2/2019 Akrapovic D12/194
D854,476 S * 7/2019 Akrapovic D12/194
D864,818 S * 10/2019 Akrapovic D12/194
D875,009 S * 2/2020 Akrapovic D12/194
D875,010 S * 2/2020 Akrapovic D12/194

* cited by examiner

Primary Examiner — George D. Kirschbaum
Assistant Examiner — Joseph J Kukella
(74) *Attorney, Agent, or Firm* — Olson & Cepuritis, Ltd.;
Shawn E. Duckworth

(57) **CLAIM**

The ornamental design for exhaust pipe, as shown and described.

DESCRIPTION

- 1. Exhaust pipe
- 1.1 : Front
- 1.2 : Perspective
- 1.3 : Perspective
- 1.4 : Bottom
- 1.5 : Left
- 1.6 : Perspective
- 1.7 : Back
- 1.8 : Right
- 1.9 : Top

1 Claim, 9 Drawing Sheets



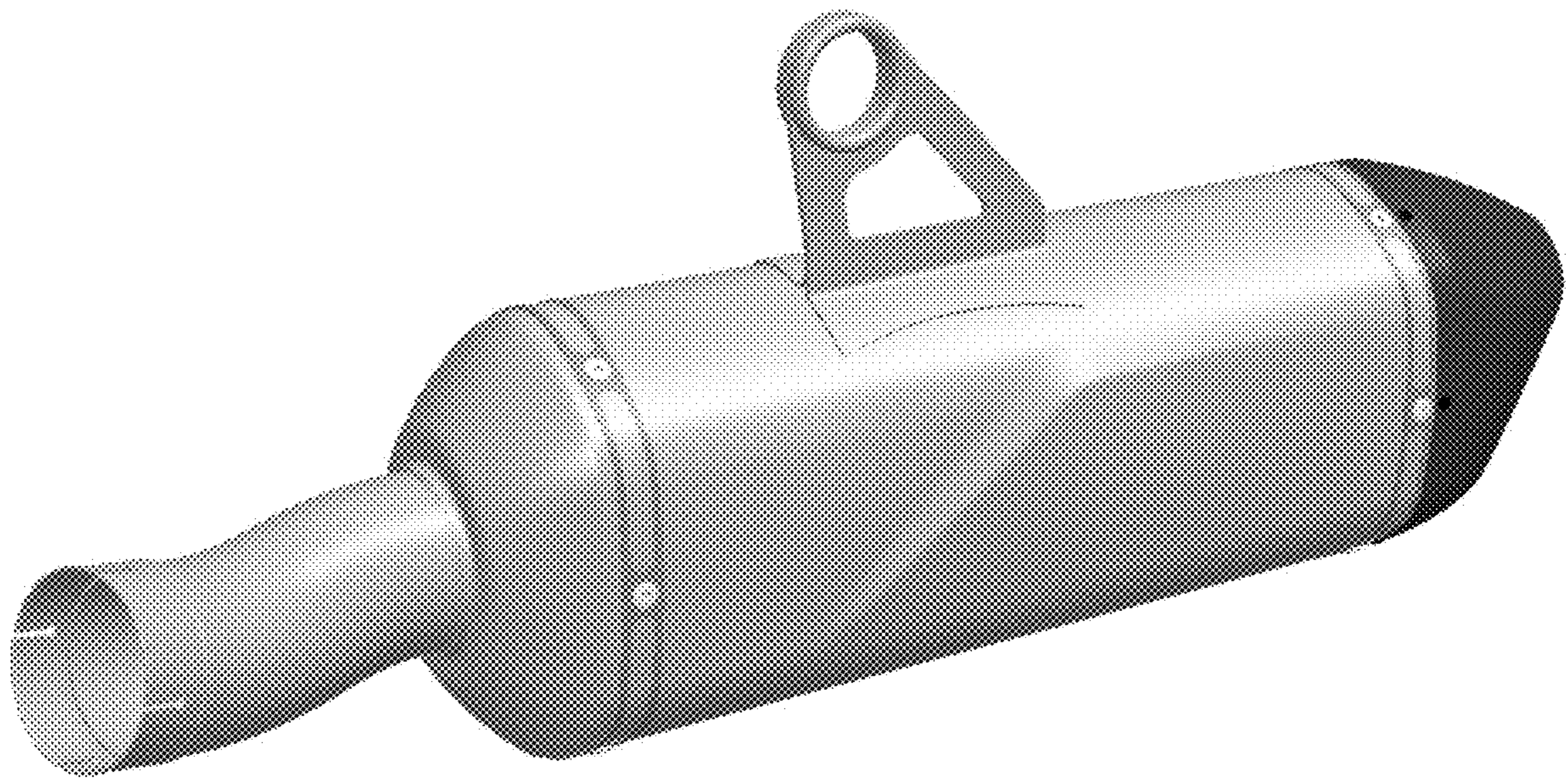
1.1



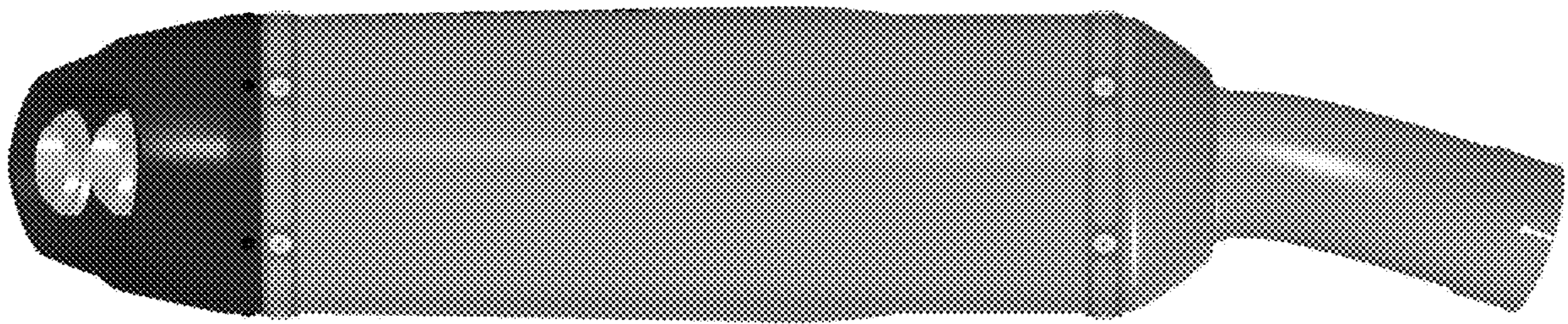
1.2



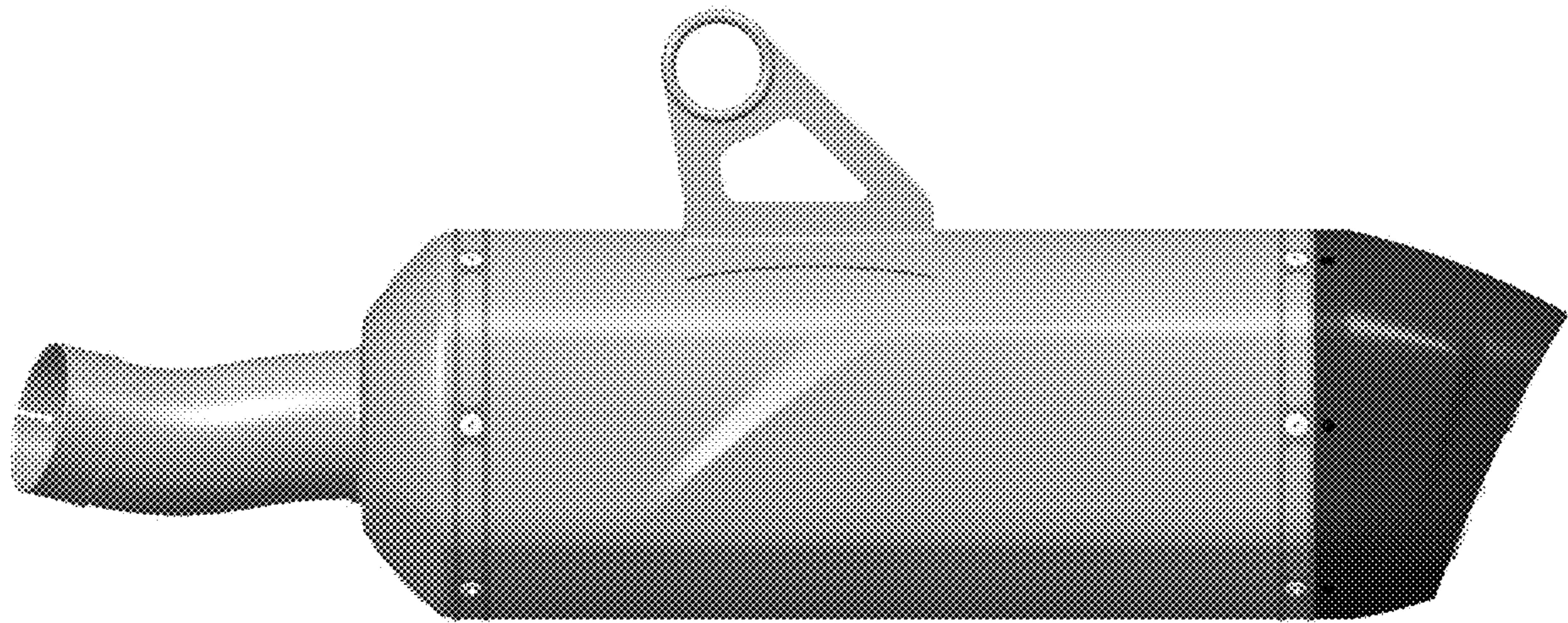
1.3



1.4



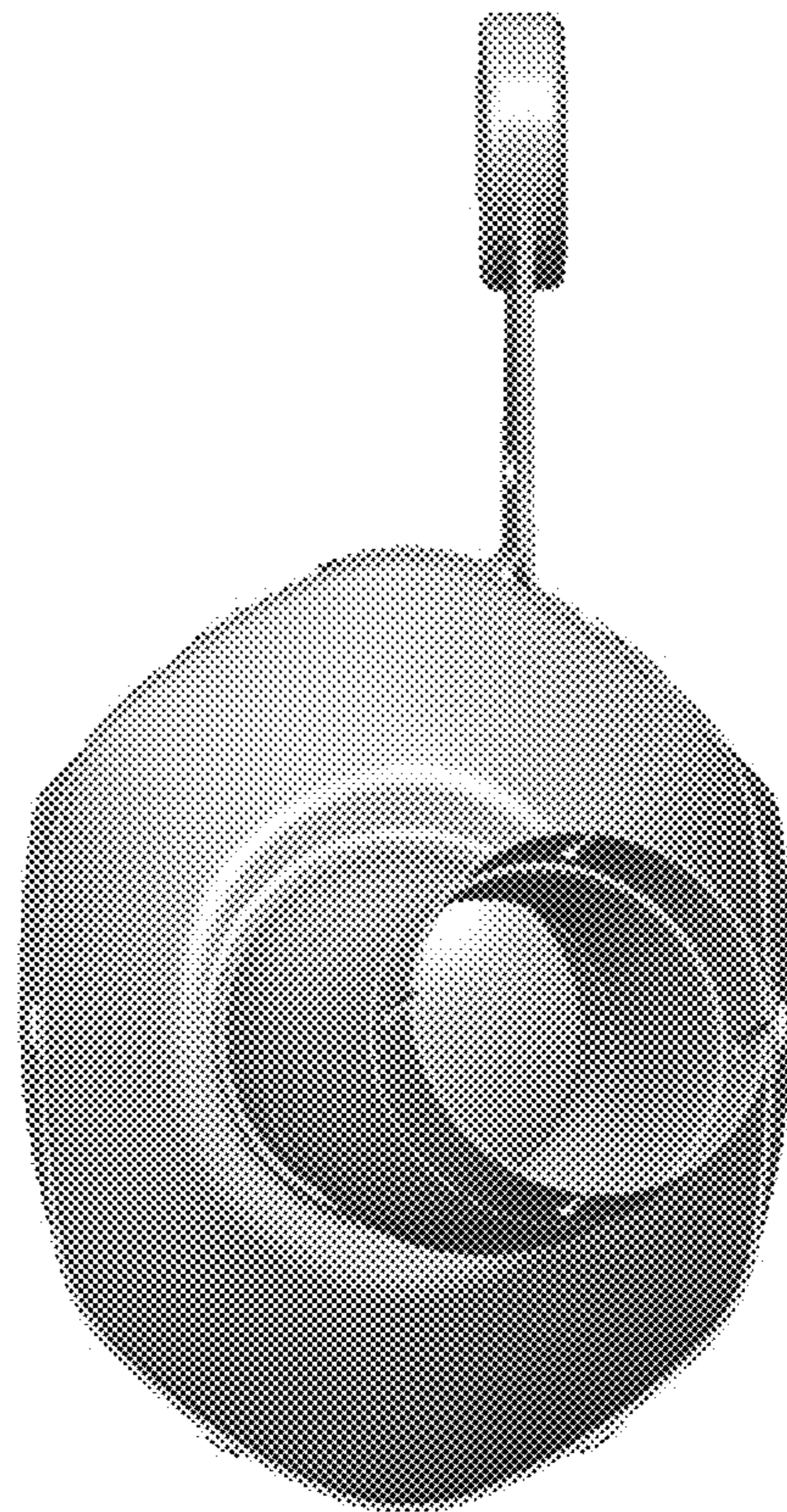
1.5



1.6



1.7



1.8



1.9

