



US00D915257S

(12) **United States Design Patent** (10) **Patent No.:** **US D915,257 S**
Dellemann et al. (45) **Date of Patent:** **** Apr. 6, 2021**

(54) **OPERATOR INTERFACE**
(71) Applicants: **ZOOMLION Heavy Industry NA, Inc.**, Yorkville, WI (US); **ZOOMLION Heavy Industry Science and Technology Co. Ltd.**, Changsha Hunan Province (CN)
(72) Inventors: **Robert Dellemann**, Yorkville, WI (US); **Shu Wang**, Yorkville, WI (US)
(73) Assignees: **ZOOMLION HEAVY INDUSTRY NA, INC.**, Yorkville, WI (US); **ZOOMLION HEAVY INDUSTRY AND SCIENCE AND TECHNOLOGY CO, LTD.**
(**) Term: **15 Years**
(21) Appl. No.: **29/704,550**
(22) Filed: **Sep. 5, 2019**
(51) **LOC (13) Cl.** **12-16**
(52) **U.S. Cl.**
USPC **D12/192; D15/28**
(58) **Field of Classification Search**
USPC D14/388, 389, 390, 318, 439, 443, 399, D14/336, 341, 342, 346, 356, 130, 218, D14/454, 455, 299, 371, 374, 378, 496, D14/432, 434, 457, 458, 257, 258, 157; D13/162, 164, 168, 182; D8/330, 331; D10/46, 61, 65, 70, 104.1, 106.9, 106.95, D10/108; D12/192, 174, 415; D15/5, D15/28, 15; D34/35
CPC G08G 1/096883; G01C 21/16; B60N 2/14; B60N 2/797
See application file for complete search history.

D444,750 S * 7/2001 Meinhardt D12/192
D447,179 S * 8/2001 Lusala D19/60
D460,079 S * 7/2002 Brunner D14/455
D463,401 S * 9/2002 Miyazaki D14/217
D469,367 S * 1/2003 Mirabelli D10/65
D487,082 S * 2/2004 Wang D14/247
D487,263 S * 3/2004 Wang D14/247
D487,454 S * 3/2004 Wang D14/247
D488,804 S * 4/2004 Pitt D14/247
D490,405 S * 5/2004 Nuovo D14/247
D493,449 S * 7/2004 Wang D14/247
D519,132 S * 4/2006 Laux D15/28
D529,848 S * 10/2006 Shigehara D12/192
D531,156 S * 10/2006 Ahn D14/138 C
D544,468 S * 6/2007 Anandpura D14/218
D552,601 S * 10/2007 Oota D14/218
D561,755 S * 2/2008 Riede D14/257
D563,372 S * 3/2008 Park D14/138 AA
D568,681 S * 5/2008 Hillmann D7/387
D571,307 S * 6/2008 Gastelum D13/168
D571,350 S * 6/2008 Iwamoto D14/157
D574,270 S * 8/2008 Bell D10/65
D574,373 S * 8/2008 Tang D14/247
D578,272 S * 10/2008 Kato D15/28
D583,855 S * 12/2008 Oas D18/7

(Continued)

Primary Examiner — Marie D. Fast Horse
(74) *Attorney, Agent, or Firm* — Donald J. Ersler

(57) **CLAIM**

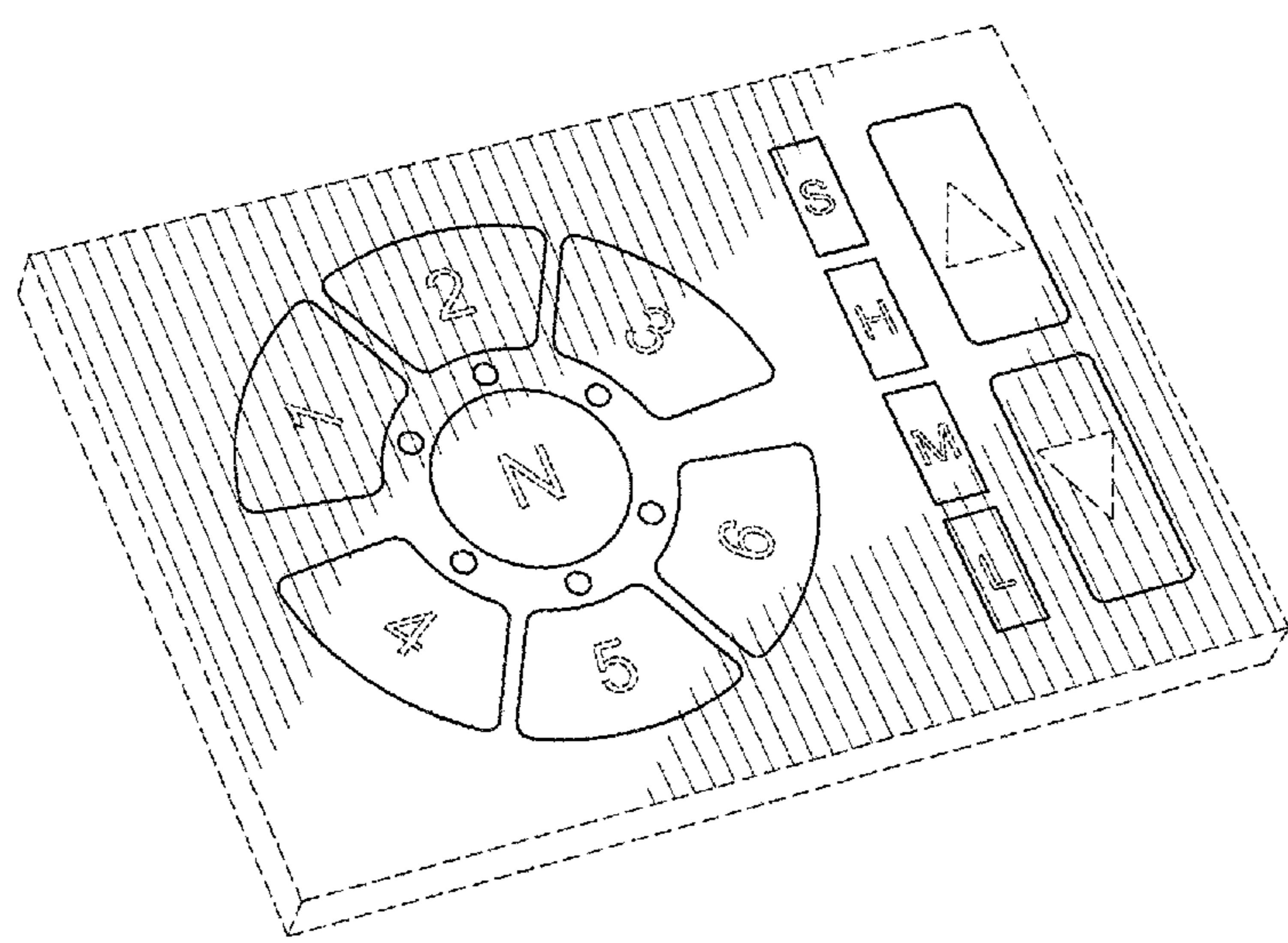
The ornamental design for an operator interface, as shown and described.

DESCRIPTION

The FIGURE is a front perspective view of an operator interface incorporating our new design. The broken lines shown in the drawings depict portions of the operator interface that form no part of the claimed design.

1 Claim, 1 Drawing Sheet

(56) **References Cited**
U.S. PATENT DOCUMENTS
D416,881 S * 11/1999 Ross D14/456
D417,201 S * 11/1999 Davis D10/46



(56)

References Cited

U.S. PATENT DOCUMENTS

D589,461	S	*	3/2009	Gastelum	D13/168
D593,989	S	*	6/2009	Endo	D14/157
D598,913	S	*	8/2009	Brown	D14/341
D603,367	S	*	11/2009	Shimizu	D14/157
D604,287	S	*	11/2009	Kimura	D14/157
D611,059	S	*	3/2010	Sugita	D14/505
D611,361	S	*	3/2010	Knight	D10/65
D621,760	S	*	8/2010	Wiedeman	D12/192
D624,907	S	*	10/2010	Komiya	D14/247
D632,622	S	*	2/2011	Fujioka	D12/192
D633,117	S	*	2/2011	de la Hamayde	D15/146
D644,209	S	*	8/2011	Nardin	D14/218
D646,676	S	*	10/2011	Hancock	D14/257
D649,544	S	*	11/2011	Chiu	D14/318
D654,415	S	*	2/2012	Mizuno	D12/192
D660,328	S	*	5/2012	Doberstein	D15/89
D671,520	S	*	11/2012	Kanou	D14/258
D672,379	S	*	12/2012	de la Hamayde	D15/146
D680,972	S	*	4/2013	Hunter	D13/168
D691,637	S	*	10/2013	Deurwaarder	D14/511
D744,975	S	*	12/2015	Kimura	D14/258
D760,182	S	*	6/2016	Zhu	D14/157
D794,538	S	*	8/2017	Ahn	D12/415
D826,117	S	*	8/2018	Cadadora	D12/177
D858,463	S	*	9/2019	Nien	D13/168
D860,119	S	*	9/2019	Kang	D12/415
D860,121	S	*	9/2019	Kang	D12/415
D860,124	S	*	9/2019	Kang	D12/415
D860,155	S	*	9/2019	Sugita	D14/157
D860,157	S	*	9/2019	Katsuno	D14/157
D862,365	S	*	10/2019	Kang	D12/415
D871,311	S	*	12/2019	TenBrink	D12/415
D906,944	S	*	1/2021	Velet	B64D 11/0626
						D12/345
D910,598	S	*	2/2021	Kass	D14/218

* cited by examiner

