



US00D915255S

(12) **United States Design Patent** (10) **Patent No.:** **US D915,255 S**
Hoshino et al. (45) **Date of Patent:** **** Apr. 6, 2021**

(54) **DIAL SWITCH FOR VEHICLE**

(71) Applicant: **MITSUBISHI JIDOSHA KOGYO KABUSHIKI KAISHA**, Tokyo (JP)

(72) Inventors: **Mitsumasa Hoshino**, Nagoya (JP); **Shuichi Imai**, Tokyo (JP); **Kei Hamada**, Tokyo (JP)

(73) Assignee: **MITSUBISHI JIDOSHA KOGYO KABUSHIKI KAISHA**, Tokyo (JP)

(**) Term: **15 Years**

(21) Appl. No.: **29/700,476**

(22) Filed: **Aug. 2, 2019**

(30) **Foreign Application Priority Data**

Feb. 20, 2019 (JP) 2019-003363
Feb. 20, 2019 (JP) 2019-003366
Feb. 20, 2019 (JP) 2019-003367

(51) **LOC (13) Cl.** **12-16**

(52) **U.S. Cl.**
USPC **D12/192**

(58) **Field of Classification Search**
USPC D12/92, 195, 415, 345, 114; D10/17, 28, D10/102; D15/46, 98, 102, 103, D15/122-127; D23/234, 250, 421; D14/258; D8/107, 300, 301, 307, 310, D8/311, 312; D7/393, 394, 396, 543, D7/545, 547, 548
CPC B60H 1/34; B60H 1/3407; B60H 1/3414; B60H 1/3421; B60H 1/3428; B60H 1/3435; B60H 1/3442; B60H 1/345; B60H 1/3457;

(Continued)

(56) **References Cited**

U.S. PATENT DOCUMENTS

D423,514 S * 4/2000 Shindo D14/240
D473,446 S * 4/2003 Quan D8/334

(Continued)

OTHER PUBLICATIONS

Ford Worries You're Not Able to Understand this Round, Shiny Thing, TheTruthAboutCars.com, By Matt Posky on Dec. 8, 2016, [online], [site visited Jul. 22, 2020]. <URL: https://www.thetruthaboutcars.com/2016/12/ford-rotary-shift-return-to-park/> (Year: 2016).*

(Continued)

Primary Examiner — T Chase Nelson
Assistant Examiner — Jonathan J. Han

(74) *Attorney, Agent, or Firm* — Birch, Stewart, Kolasch & Birch, LLP

(57) **CLAIM**

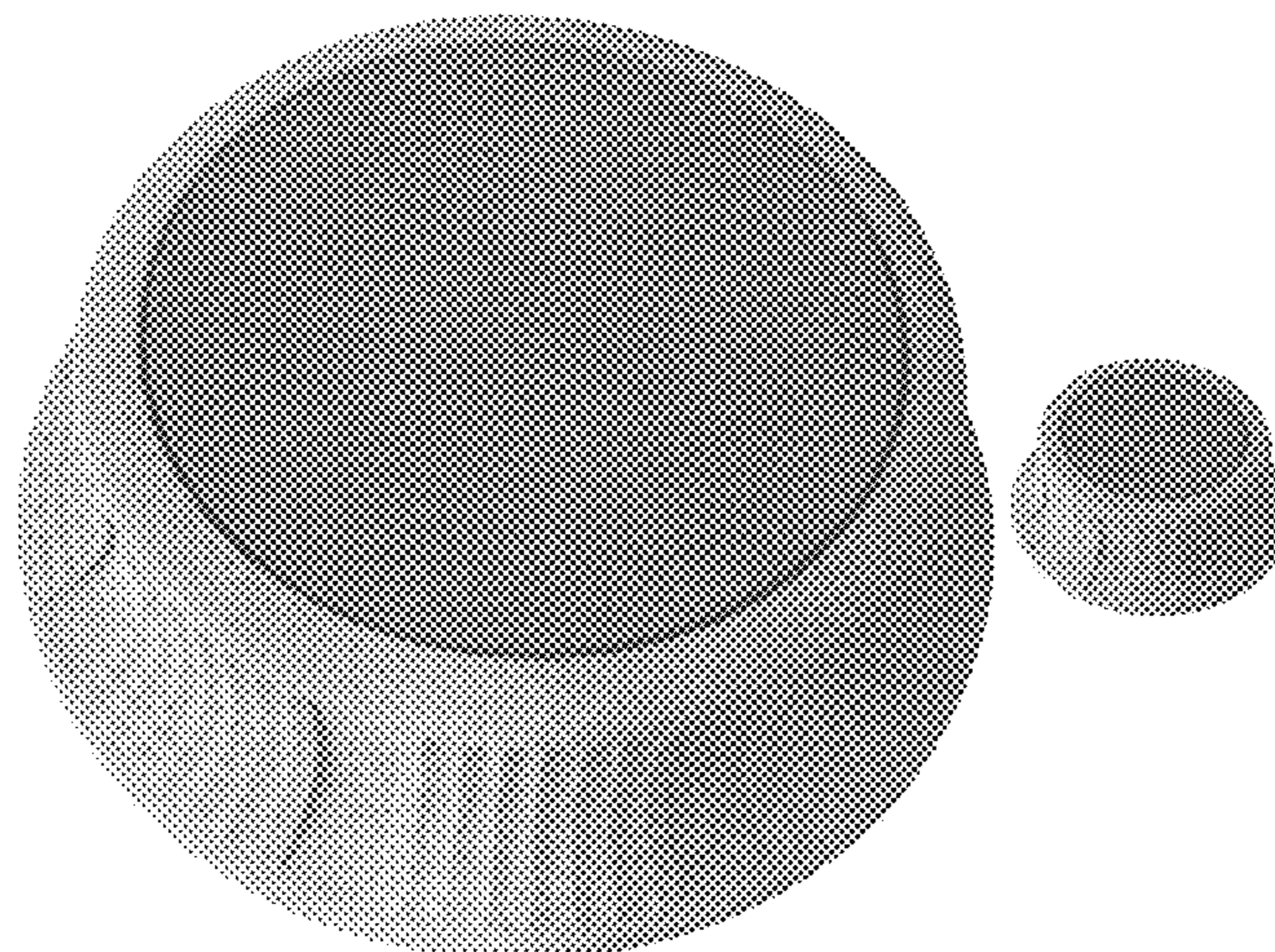
The ornamental design for a dial switch for vehicle, as shown and described.

DESCRIPTION

FIG. 1 is a front perspective view of a dial switch for vehicle showing a first embodiment of our new design; FIG. 2 is another front perspective view thereof; FIG. 3 is a front view thereof; FIG. 4 is a left side view thereof; FIG. 5 is a right side view thereof; FIG. 6 is a top view thereof; FIG. 7 is a bottom view thereof; FIG. 8 is a front perspective view of a dial switch for vehicle showing a second embodiment of our new design; FIG. 9 is another front perspective view thereof; FIG. 10 is a front view thereof; FIG. 11 is a left side view thereof; FIG. 12 is a right side view thereof; FIG. 13 is a top view thereof; and, FIG. 14 is a bottom view thereof.

The appearance of the gradation in the respective views indicates the shape, texture, and contour of the invention surface.

1 Claim, 14 Drawing Sheets



(58) **Field of Classification Search**

CPC .. B60H 2001/3464; B60H 2001/3471; B60H
2001/3478; B60H 2001/3485; B60R
11/02; B60K 37/04; B60K 37/06; H04B
1/08; H04B 1/082

See application file for complete search history.

(56) **References Cited**

U.S. PATENT DOCUMENTS

D627,338 S * 11/2010 Koss D14/223
D713,007 S * 9/2014 Boyer D23/235
D742,300 S * 11/2015 Fontaeus D12/415
D748,501 S * 2/2016 Cerrato D10/30
D766,696 S * 9/2016 Kemker D8/310
D779,837 S * 2/2017 Lin D6/312
D786,650 S * 5/2017 Lira-Nunez D8/311
D794,884 S * 8/2017 Ayers D32/28
D807,308 S * 1/2018 Johnson D13/174
D807,309 S * 1/2018 Johnson D13/174
D819,624 S * 6/2018 Lee D14/258
D824,827 S * 8/2018 Fujii D12/192
D825,437 S * 8/2018 Hilton D12/415
D825,549 S * 8/2018 Lebovitz D14/253
D828,478 S * 9/2018 Thomas D22/108
D829,527 S * 10/2018 Kang D8/311

D829,724 S * 10/2018 Chun D14/447
D830,950 S * 10/2018 Lee D12/415
D836,049 S * 12/2018 Ryu D12/192
D837,118 S * 1/2019 Takada D12/192
D840,325 S * 2/2019 Sandys D12/415
D844,515 S * 4/2019 Webber D12/192
D847,055 S * 4/2019 De Vienne D12/192
D848,239 S * 5/2019 Pedersen D8/312
D849,501 S * 5/2019 Wilson, II D8/302
D852,101 S * 6/2019 Ko D12/192
D856,902 S * 8/2019 Hill D12/415
D862,454 S * 10/2019 Chun D14/253
D864,066 S * 10/2019 Ray D12/192
D864,090 S * 10/2019 Buffery D12/415
D873,747 S * 1/2020 Miyamoto D12/192
D878,894 S * 3/2020 Wilson, II D8/301
D886,070 S * 6/2020 Giovanni D13/162
D887,288 S * 6/2020 Behling D10/38

OTHER PUBLICATIONS

Chrysler and Rotary Shift Knobs, AventuraChryslerJeepDodgeRam.com, Mar. 8, 2017 by Jordan R., [online], [site visited Jul. 22, 2020].
<URL: <https://www.aventurachryslerjeepdodgeram.com/chrysler-and-rotary-shift-knobs/>> (Year: 2017).*

* cited by examiner

FIG. 1



FIG. 2



FIG. 3

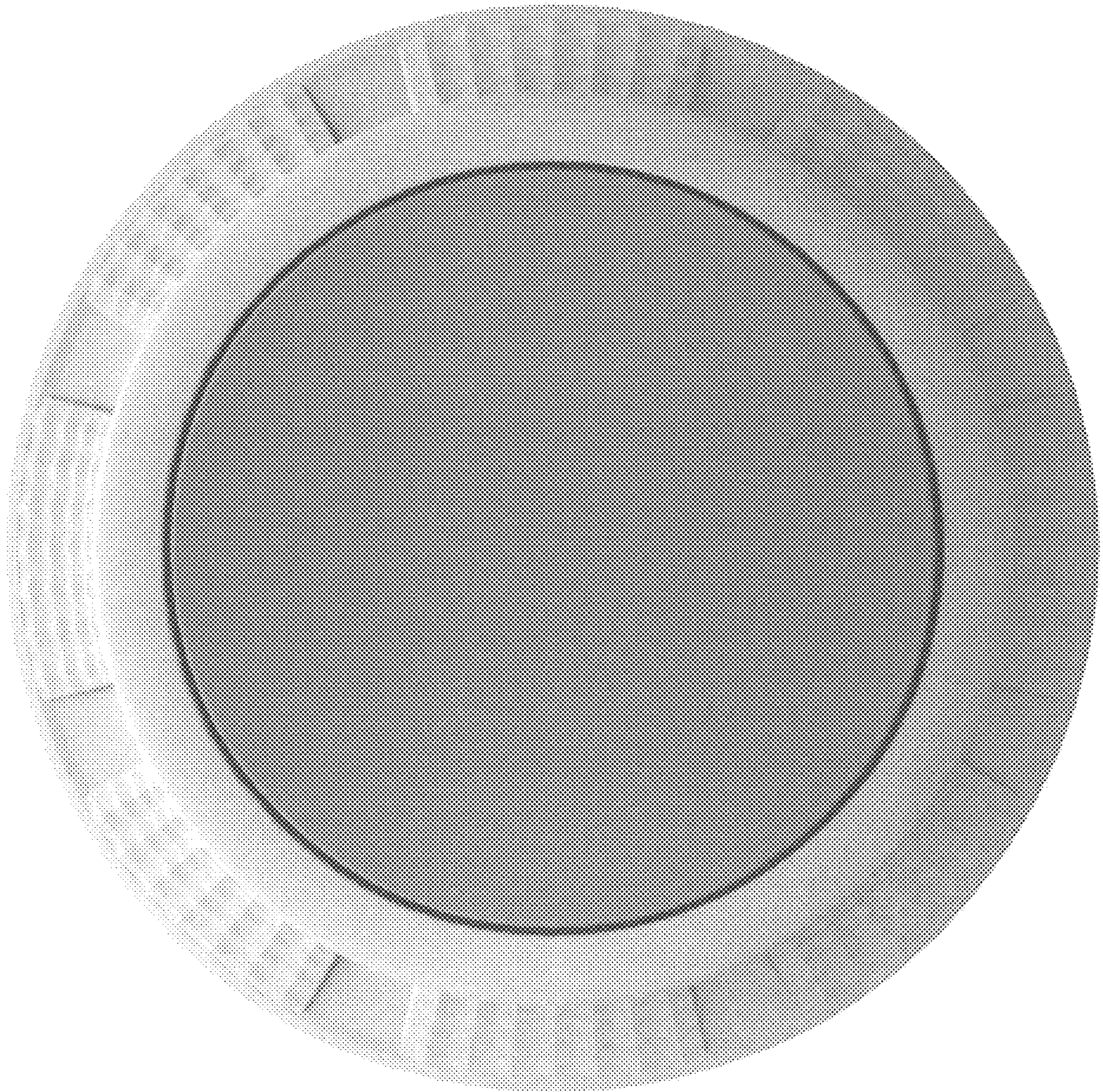


FIG. 4

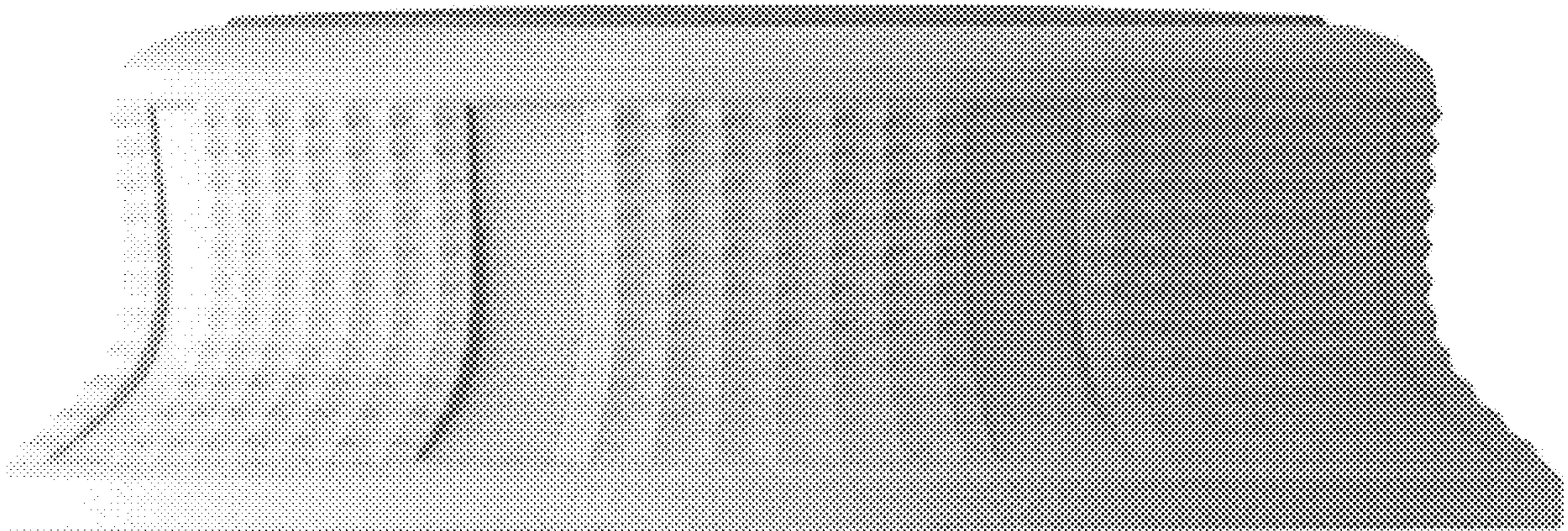


FIG. 5

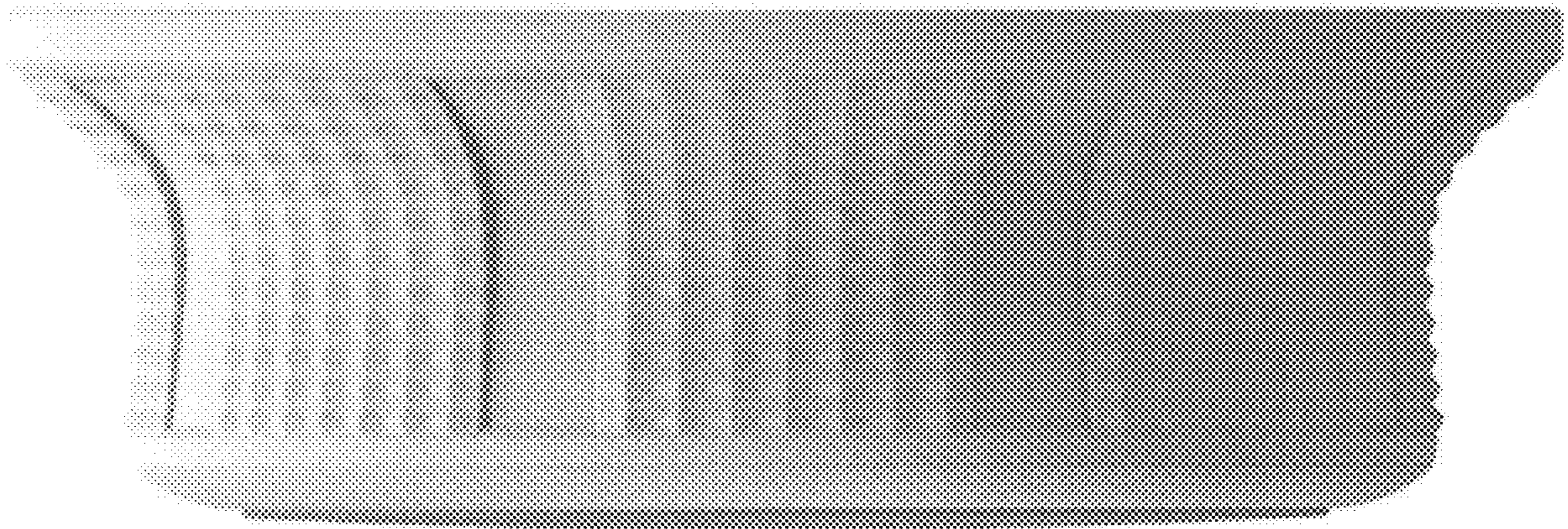


FIG. 6

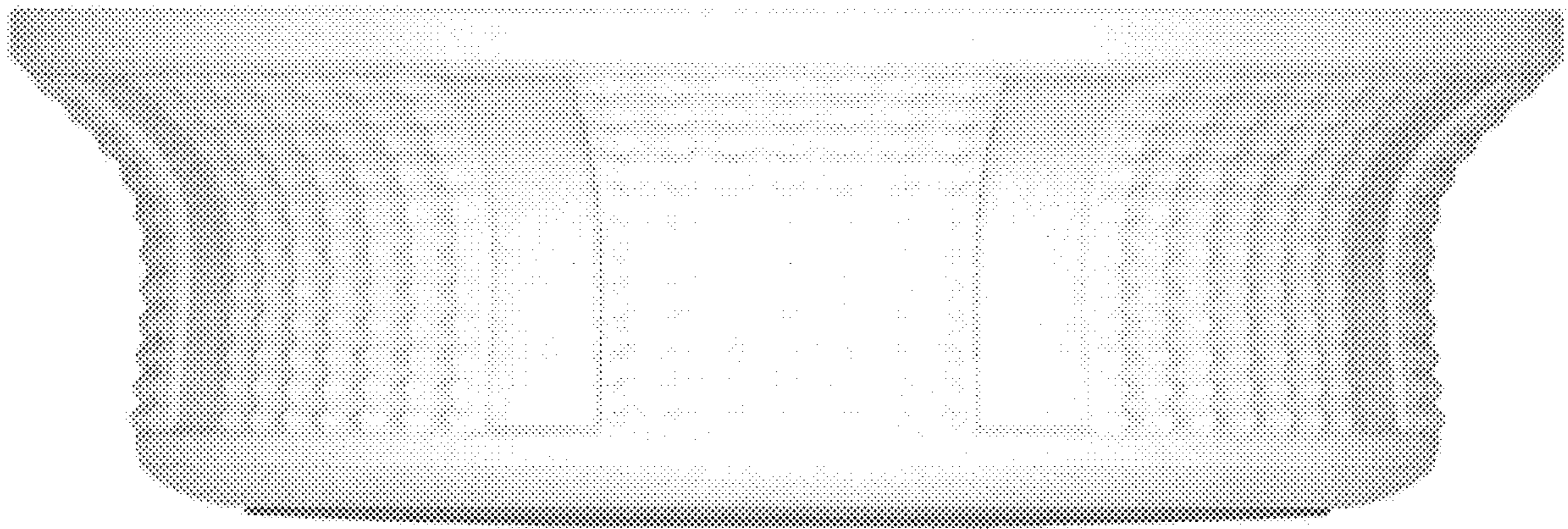


FIG. 7

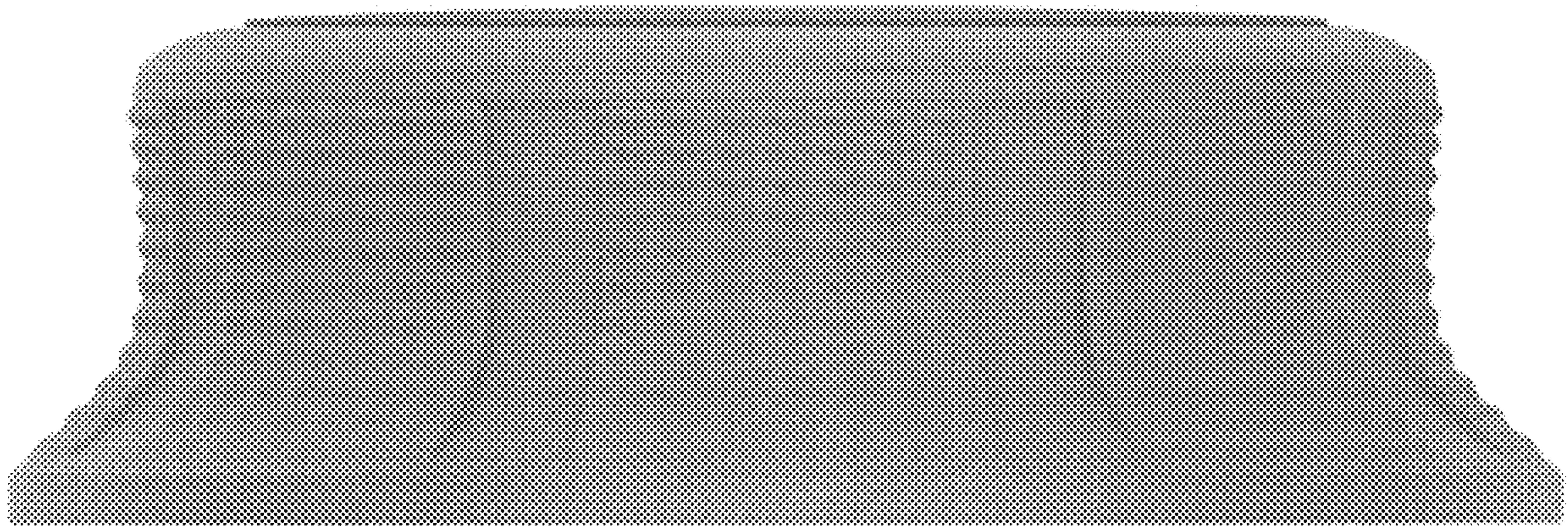


FIG. 8

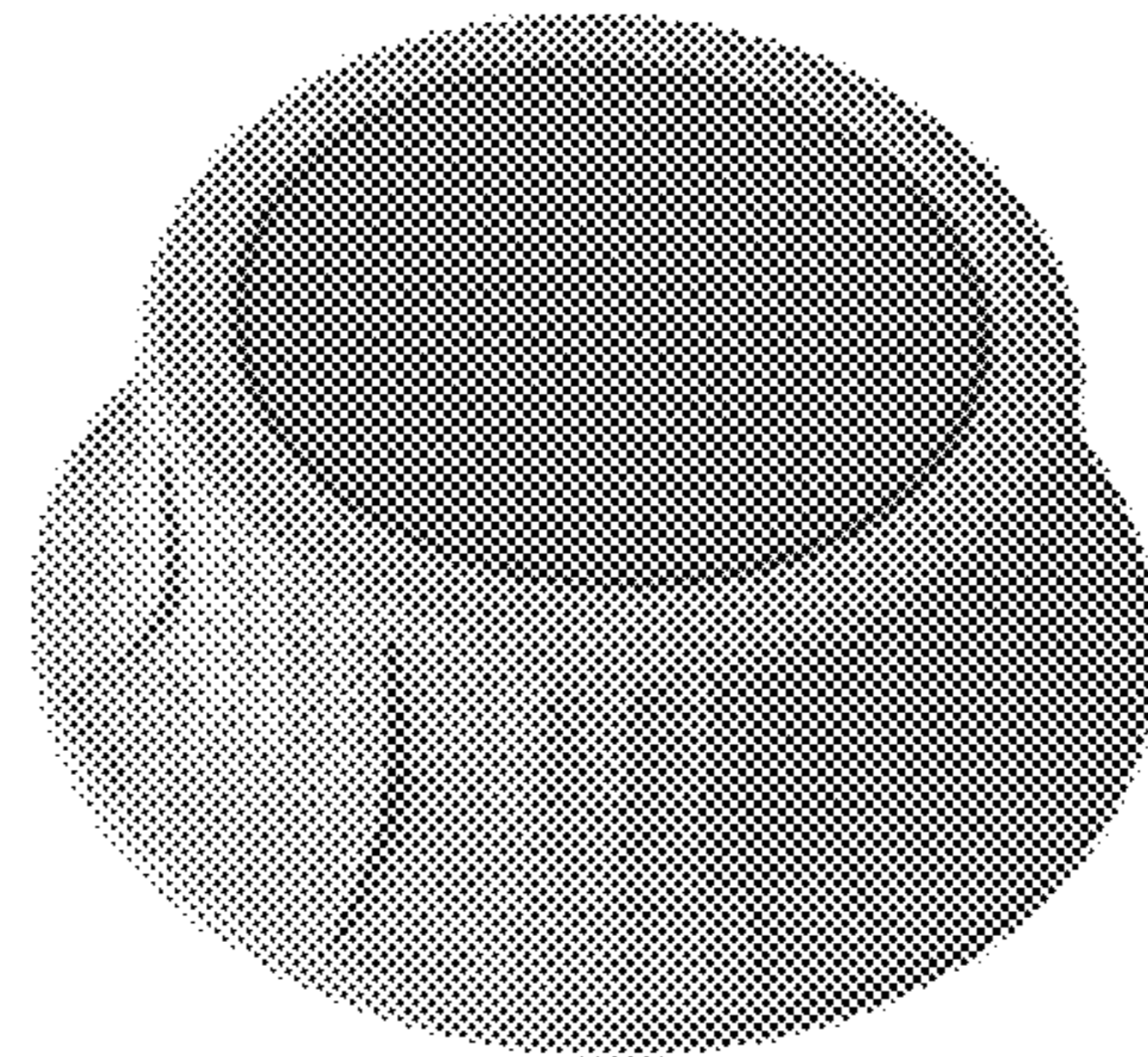


FIG. 9

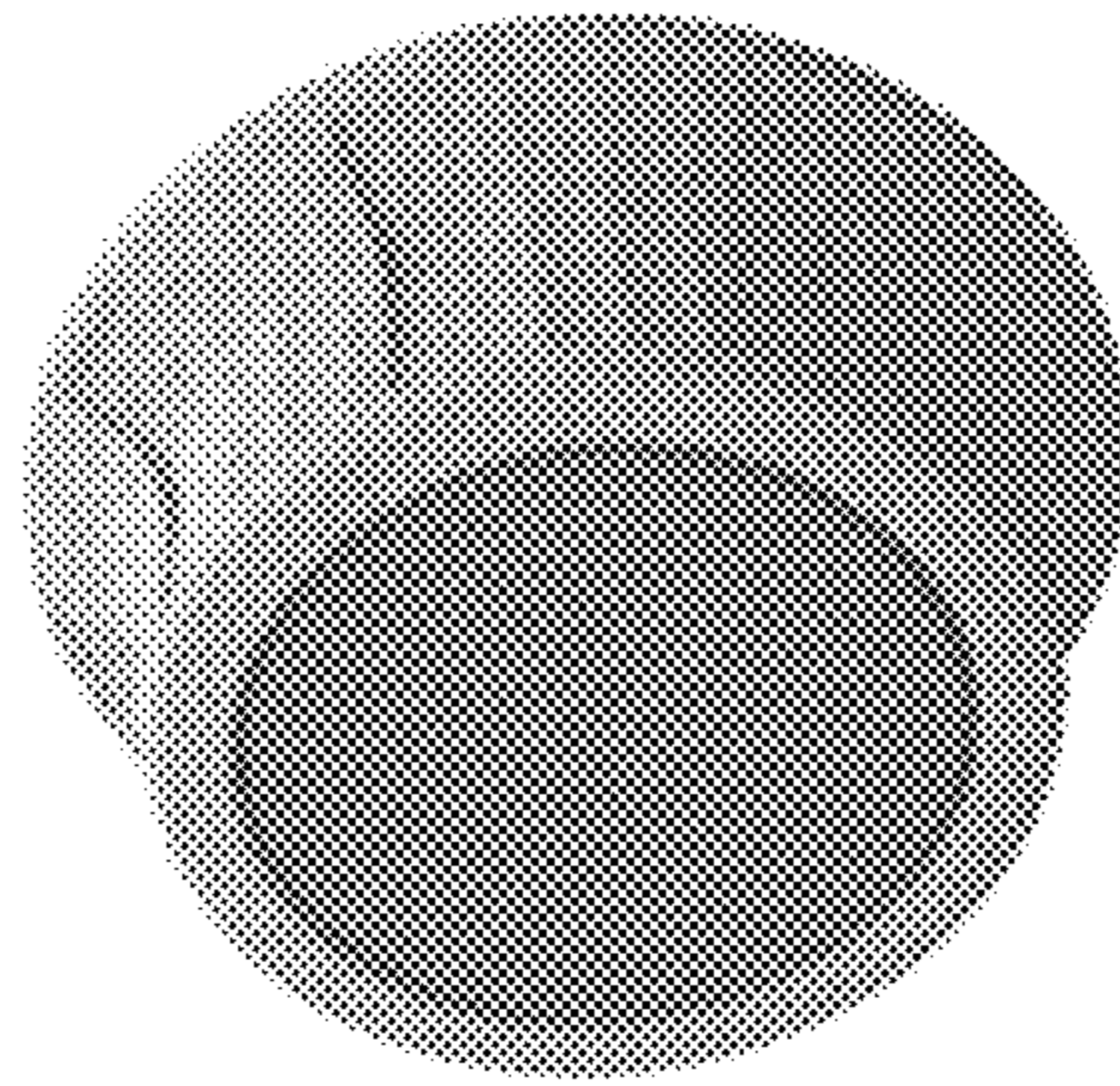


FIG. 10

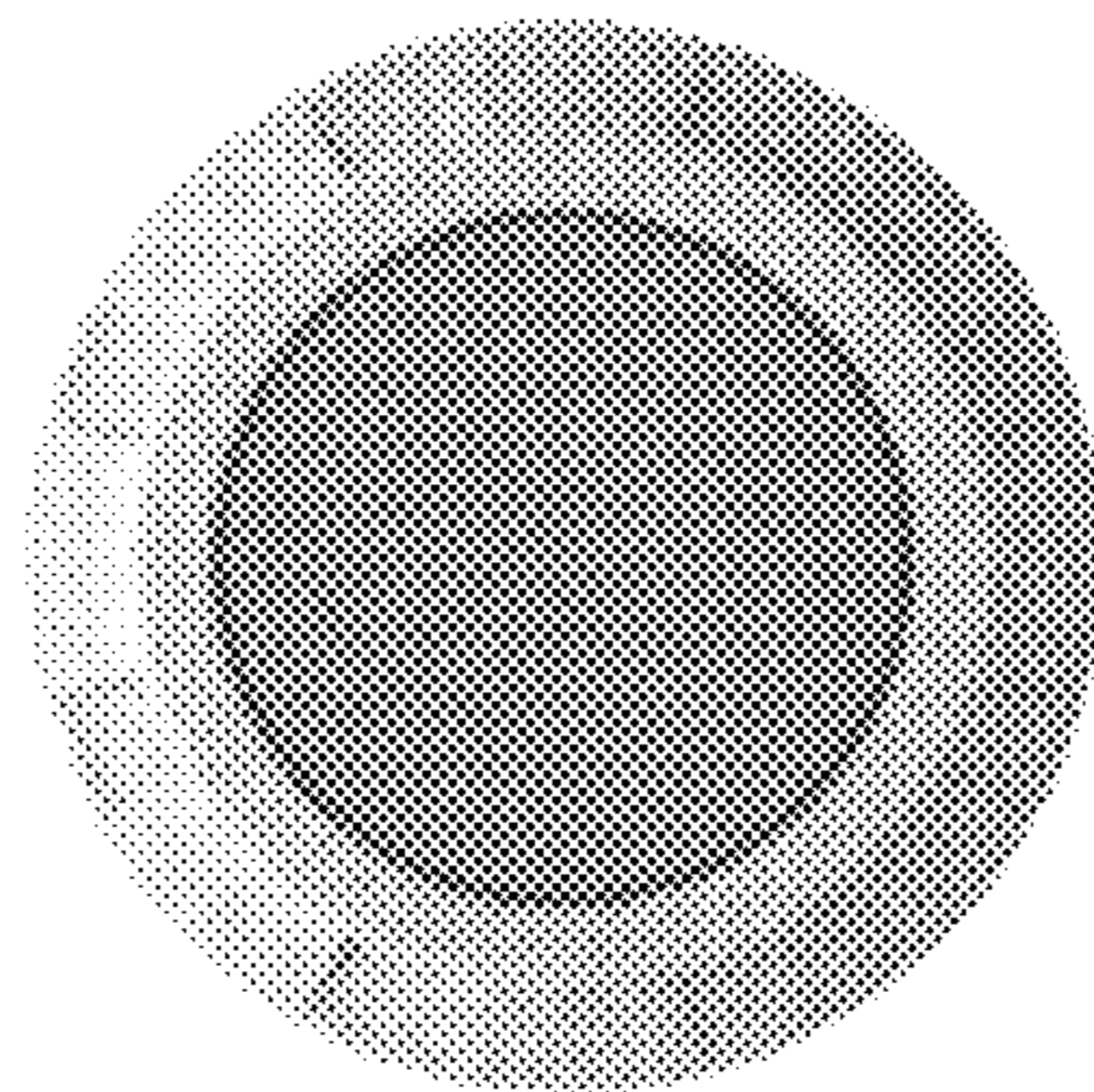


FIG. 11

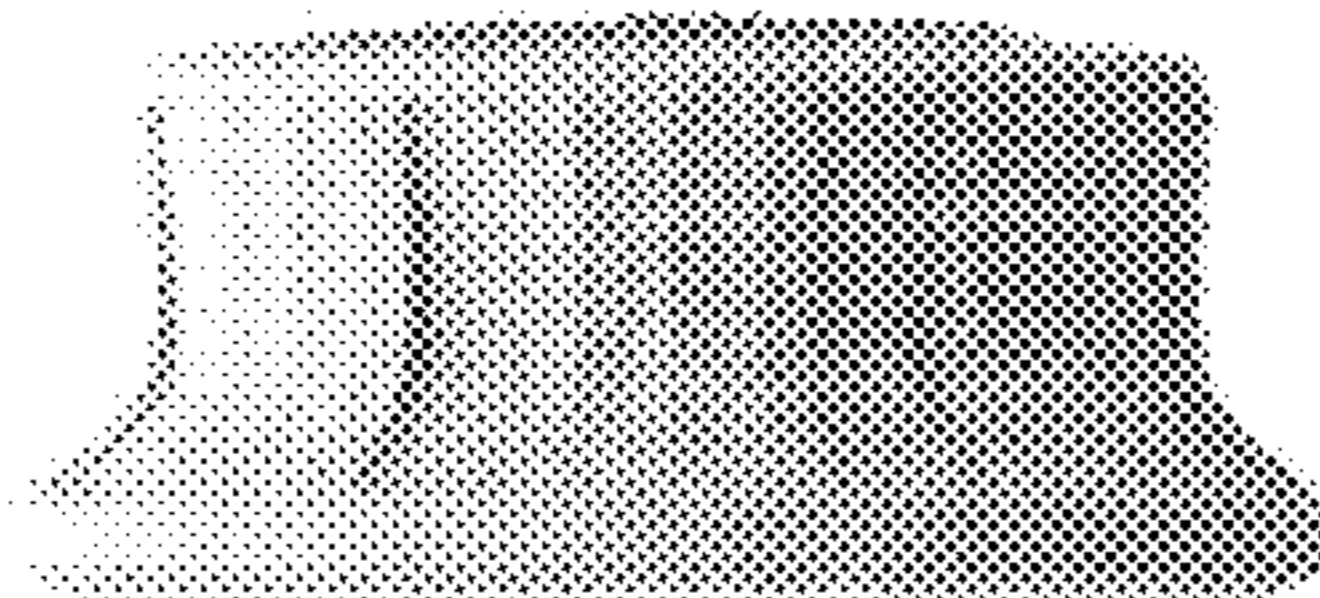


FIG. 12

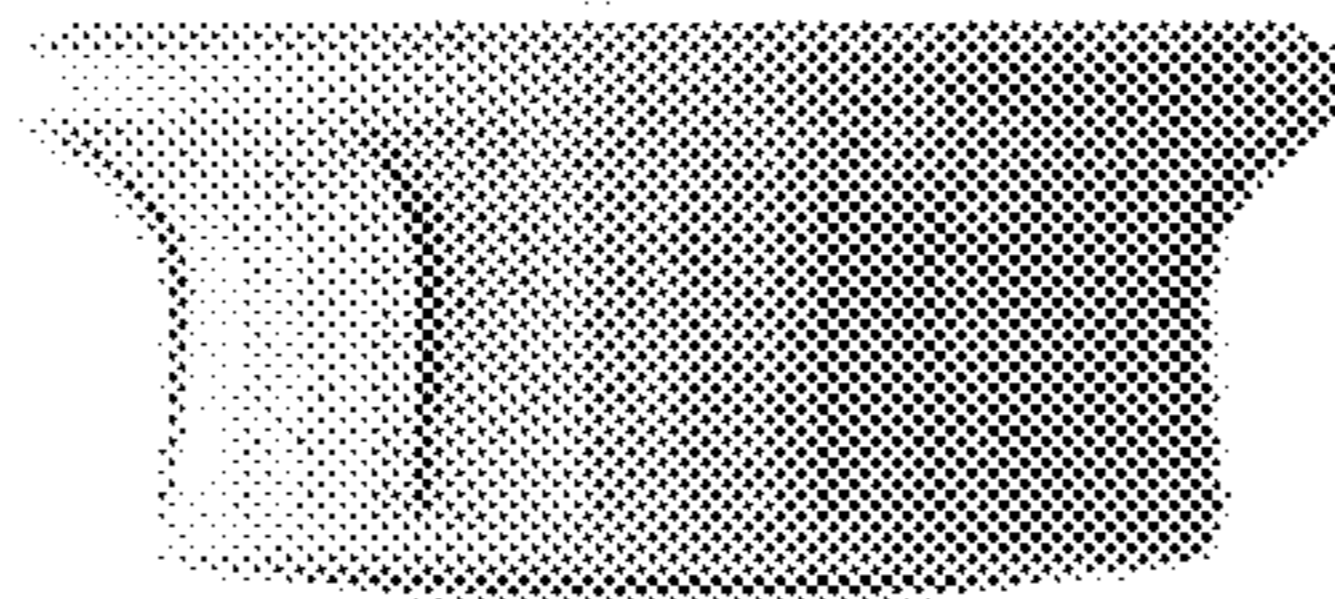


FIG. 13

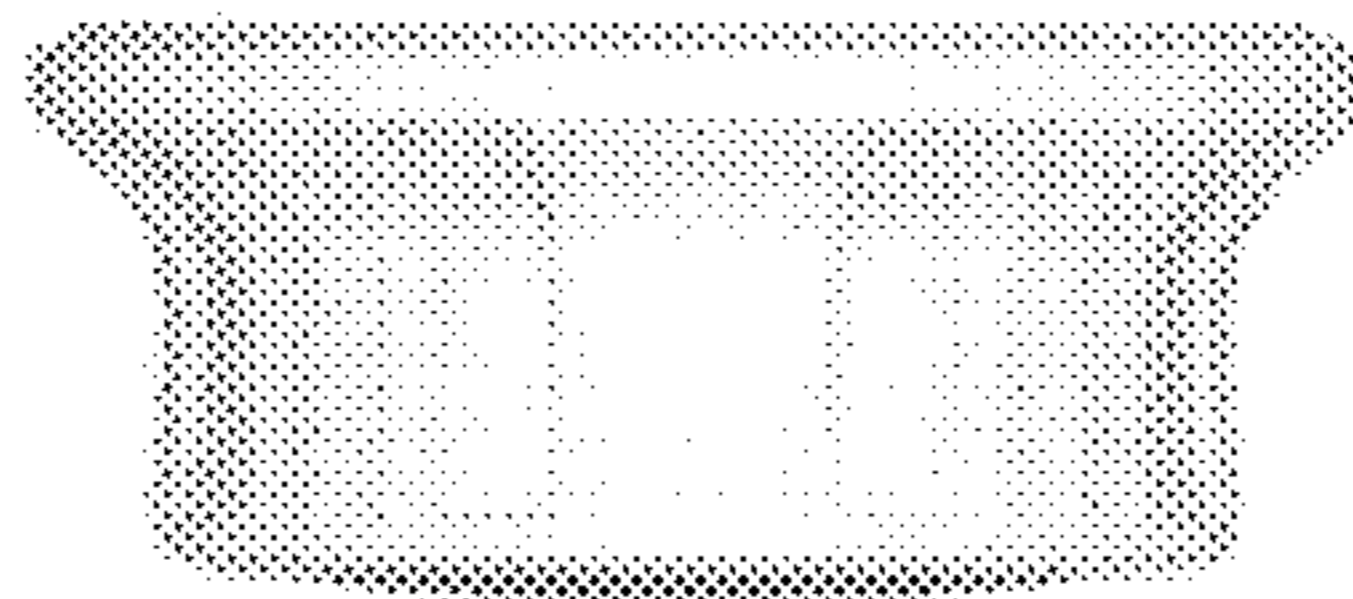


FIG. 14

