



US00D915253S

(12) **United States Design Patent** (10) **Patent No.:** **US D915,253 S**
Zhao (45) **Date of Patent:** **** Apr. 6, 2021**

(54) **CAR CURTAIN**

(71) Applicant: **Feng Zhao**, Jilin (CN)

(72) Inventor: **Feng Zhao**, Jilin (CN)

(**) Term: **15 Years**

(21) Appl. No.: **29/757,162**

(22) Filed: **Nov. 4, 2020**

(51) **LOC (13) Cl.** **12-16**

(52) **U.S. Cl.**
USPC **D12/182**

(58) **Field of Classification Search**
USPC D12/183, 182, 190, 191
CPC B60J 3/02; B60J 3/0208; B60J 1/20; B60J
1/2005; B60J 1/2002; B60J 3/0204
See application file for complete search history.

(56) **References Cited**

U.S. PATENT DOCUMENTS

5,085,473	A *	2/1992	Yang	B60J 1/2069 160/238
5,937,929	A *	8/1999	Chen	B60J 1/2091 160/370.23
D756,868	S *	5/2016	Shu	D12/183
D792,821	S *	7/2017	Greger	D12/183
D828,253	S *	9/2018	Mao	D12/183

D830,724	S	10/2018	Scribner	
D830,725	S	10/2018	Scribner	
D852,098	S *	6/2019	Hu D12/183
D886,696	S *	6/2020	Holt D12/183
D910,515	S *	2/2021	Patel D12/183
2006/0065375	A1 *	3/2006	Chen B60J 1/208 160/370.22
2013/0206344	A1 *	8/2013	Chen B60J 1/2025 160/370.23
2015/0291009	A1 *	10/2015	Chen B60J 1/2077 160/370.21

* cited by examiner

Primary Examiner — Katrina A Betton

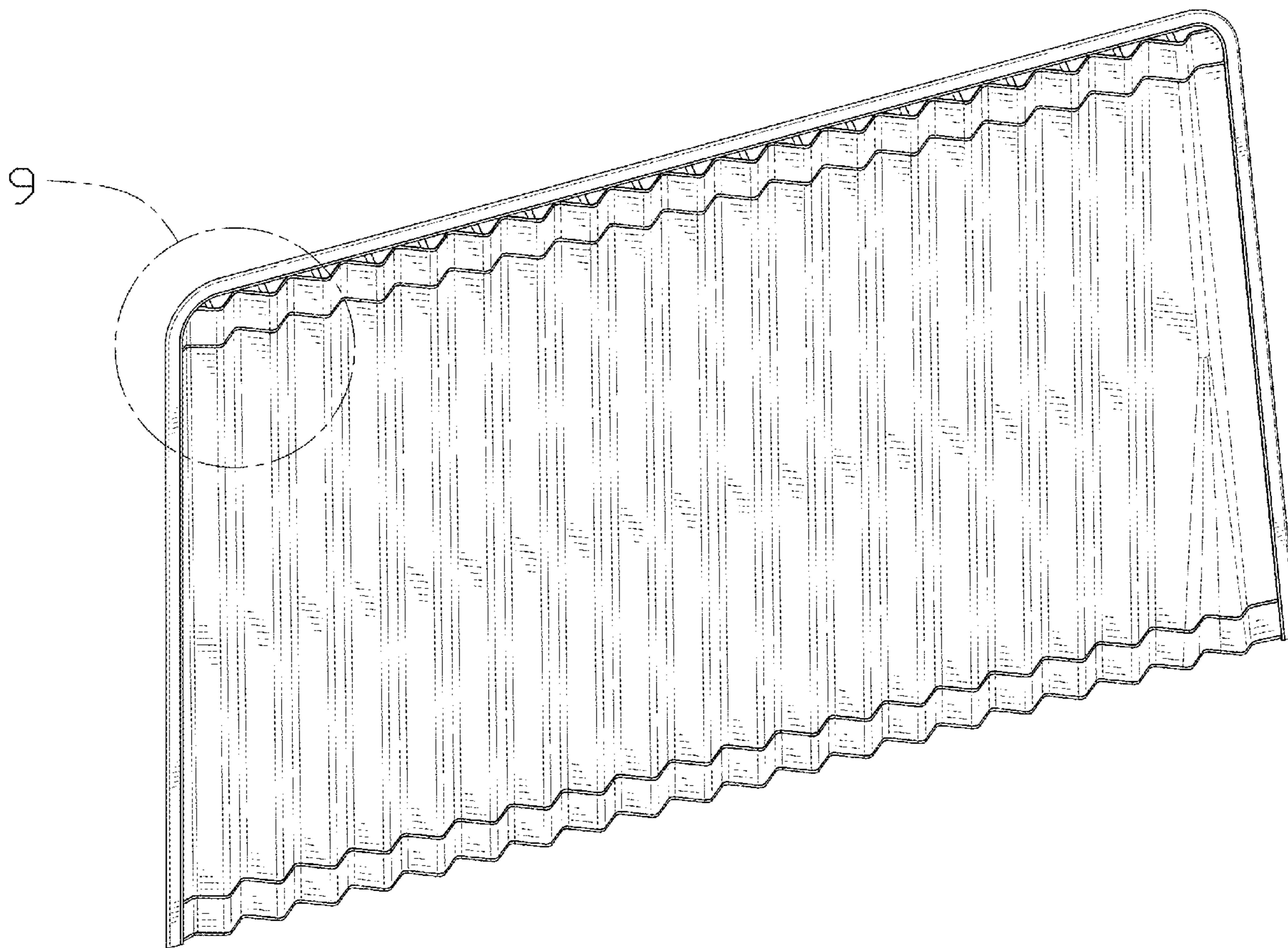
(57) **CLAIM**

The ornamental design for a car curtain, as shown and described.

DESCRIPTION

FIG. 1 is a perspective view of a car curtain showing my new design;
FIG. 2 is another perspective view thereof;
FIG. 3 is a front elevational view thereof;
FIG. 4 is a rear elevational view thereof;
FIG. 5 is a left side elevational view thereof;
FIG. 6 is a right side elevational view thereof;
FIG. 7 is a top plan view thereof;
FIG. 8 is a bottom plan view thereof; and,
FIG. 9 is an enlarged view of portion 9 shown in FIG. 1.

1 Claim, 9 Drawing Sheets



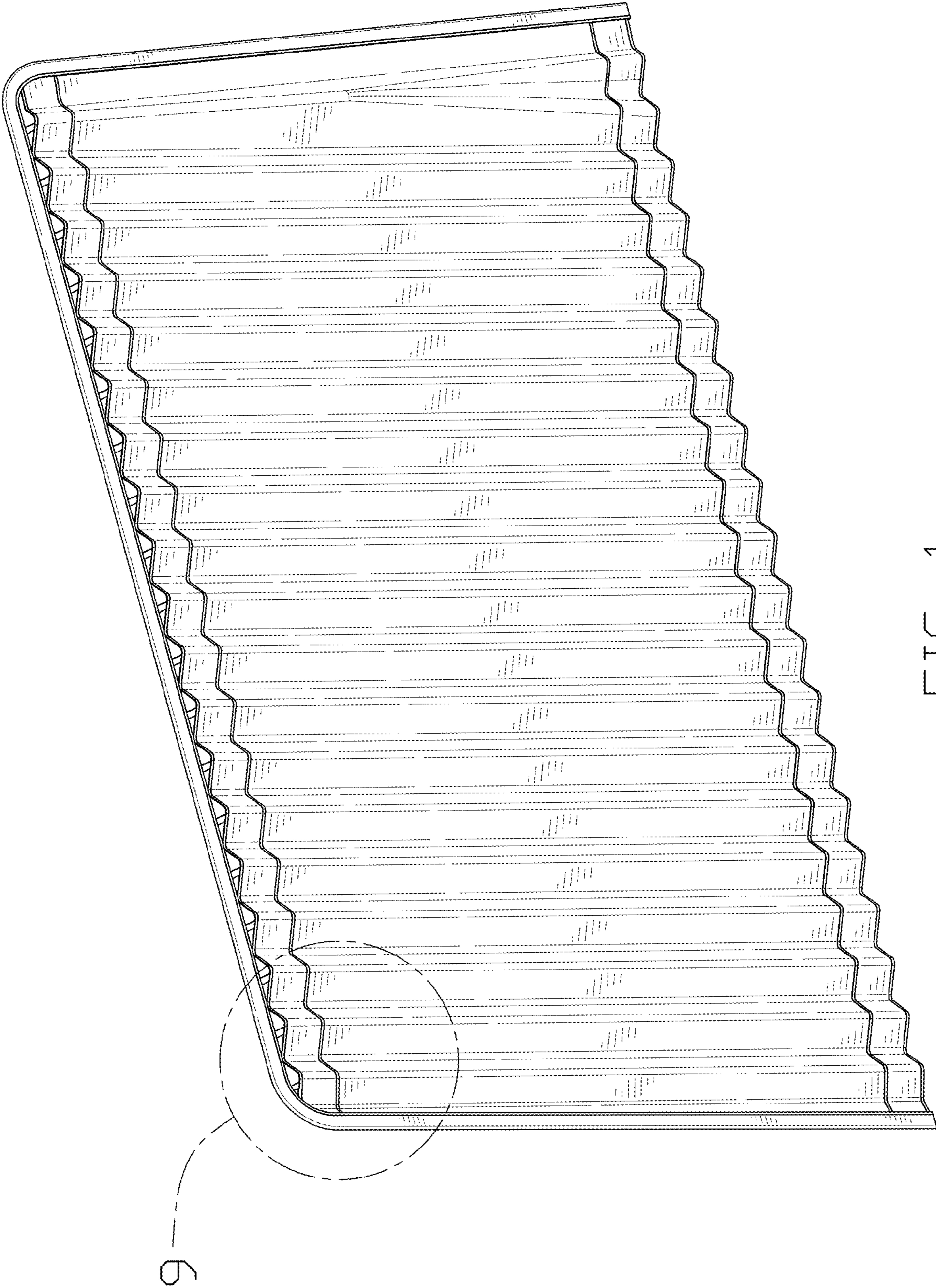


FIG. 1

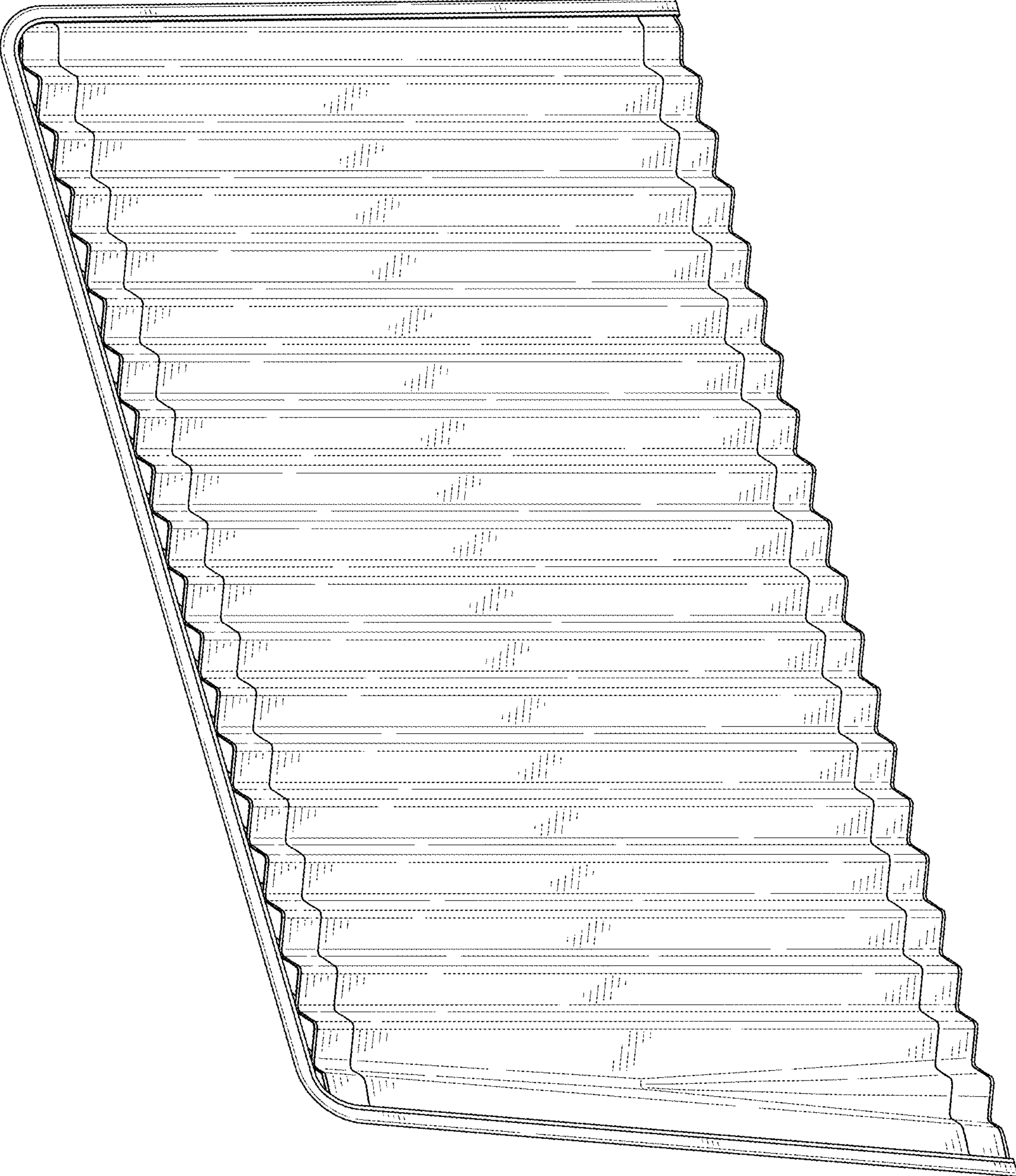


FIG. 2

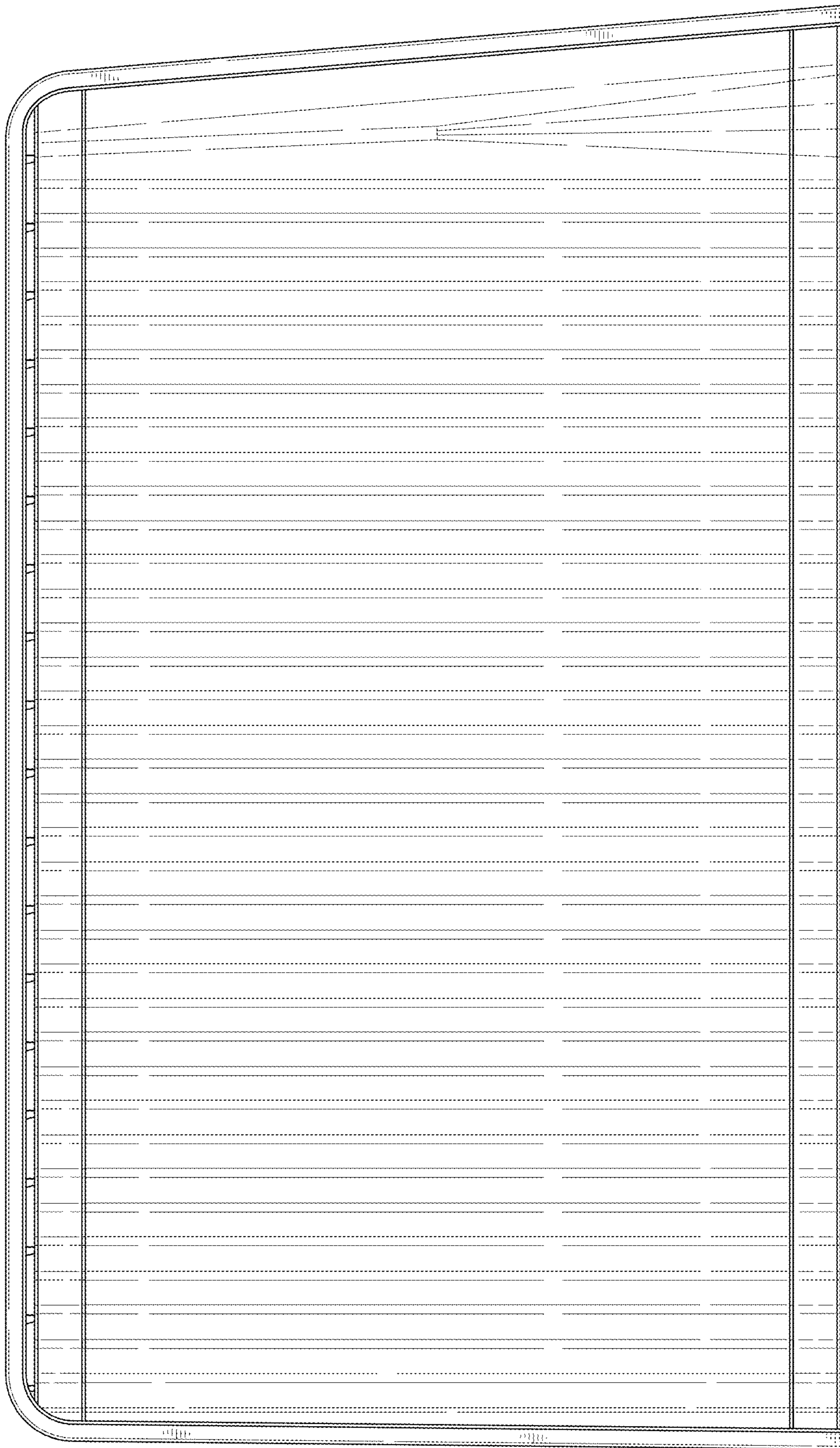


FIG. 3



FIG. 4

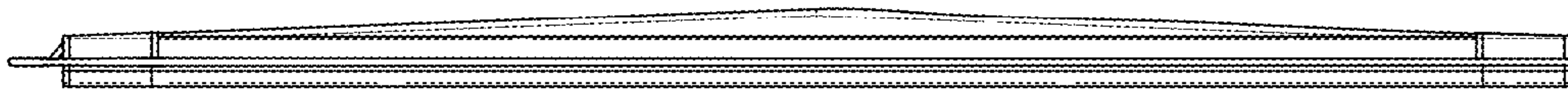


FIG. 5

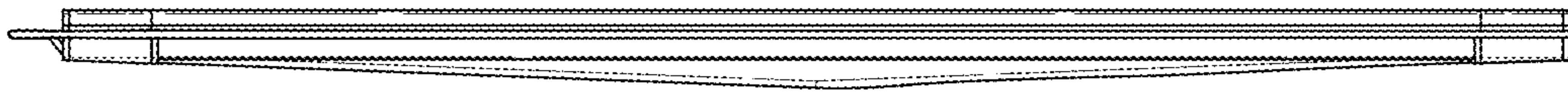


FIG. 6

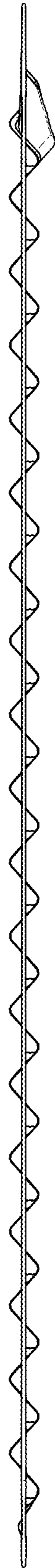


FIG. 7



FIG. 8

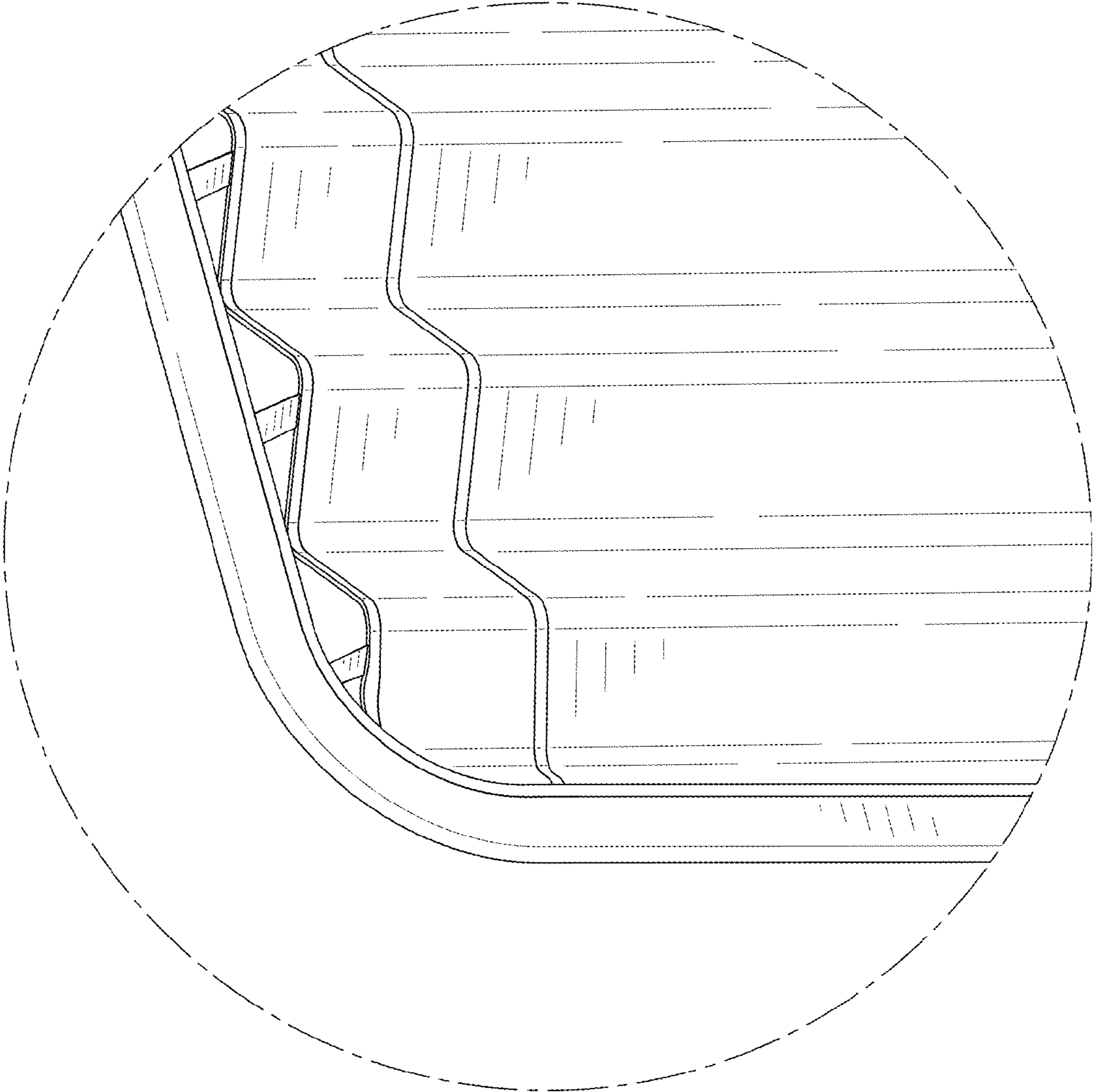


FIG. 9