



US00D915251S

(12) **United States Design Patent** (10) **Patent No.:** **US D915,251 S**
Langhals (45) **Date of Patent:** **** Apr. 6, 2021**

(54) **VEHICLE HOOD**
(71) Applicant: **Taylor A. Langhals**, Waterford, MI (US)
(72) Inventor: **Taylor A. Langhals**, Waterford, MI (US)
(73) Assignee: **FCA US LLC**, Auburn Hills, MI (US)
(**) Term: **15 Years**
(21) Appl. No.: **29/720,401**
(22) Filed: **Jan. 13, 2020**
(51) **LOC (13) Cl.** **12-08**
(52) **U.S. Cl.**
USPC **D12/173**
(58) **Field of Classification Search**
USPC D12/86, 91, 93, 163, 164, 165, 166, 167, D12/169, 171, 172, 173, 181, 183, 190, D12/196, 216
CPC .. B60R 1/06; B60R 9/06; B60R 19/02; B60R 19/04; B60R 19/18; B60R 19/44; B60R 19/48; B62D 25/10; B62D 25/16; B62D 25/168; B62D 35/02; B62D 39/00; B62D 65/16; B62D 21/12; B29C 45/16
See application file for complete search history.

(56) **References Cited**
U.S. PATENT DOCUMENTS
D473,829 S * 4/2003 Hoyle, Jr. D12/173
D528,482 S * 9/2006 Hamburger D12/181
D561,665 S * 2/2008 Thomas D12/173
D597,002 S * 7/2009 Jamieson D12/173
D619,062 S * 7/2010 Improta D12/173
D623,100 S * 9/2010 Bimbi D12/173
D703,119 S * 4/2014 Platto D12/173
D735,625 S * 8/2015 Mays D12/173
D739,317 S * 9/2015 McMahan D12/173

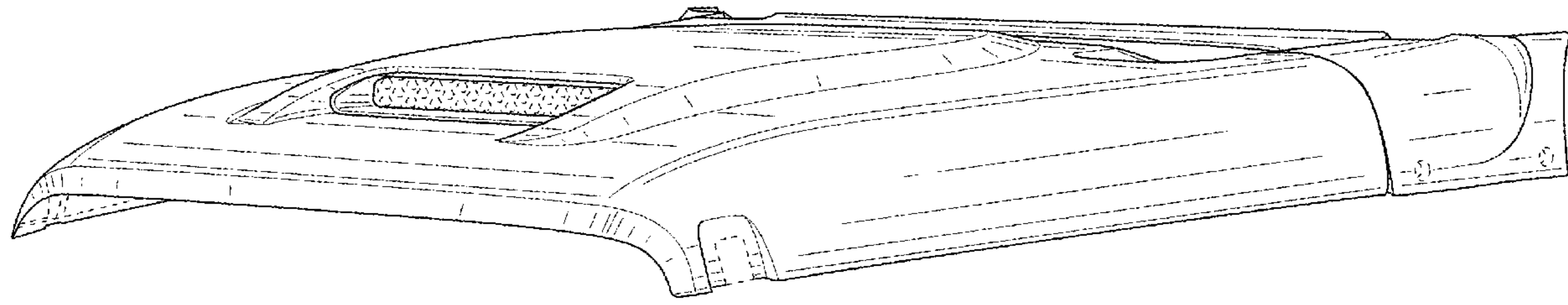
D740,187 S * 10/2015 Jamieson D12/173
D762,148 S * 7/2016 Platto D12/173
D772,768 S * 11/2016 Chiang D12/173
D777,220 S * 1/2017 Powell D15/31
D823,755 S 7/2018 Rolfs et al.
D863,158 S 10/2019 Goodrich et al.
D873,188 S 1/2020 Rolfs et al.
D873,736 S 1/2020 Goodrich et al.
D873,737 S 1/2020 Goodrich et al.
2004/0256024 A1* 12/2004 Schlachter B60K 15/04 141/86
2006/0048986 A1* 3/2006 Bracciano B60H 1/28 180/69.2
2006/0201727 A1* 9/2006 Chan B62D 29/043 180/69.25
2017/0355400 A1* 12/2017 Weston B62D 25/12

* cited by examiner
Primary Examiner — Susan Bennett Hattan
Assistant Examiner — Suzanne E Tisdell
(74) *Attorney, Agent, or Firm* — Ralph E. Smith

(57) **CLAIM**
The ornamental design for a vehicle hood, as shown and described.

DESCRIPTION
FIG. 1 is a front perspective view of a vehicle hood showing our new design;
FIG. 2 is a rear perspective view thereof;
FIG. 3 is a front view thereof;
FIG. 4 is a rear view thereof;
FIG. 5 is a left side view thereof;
FIG. 6 is a right side view thereof;
FIG. 7 is a top plan view thereof; and,
FIG. 8 is a bottom view thereof.
It will be understood that the broken lines shown in the drawings illustrate portions of the vehicle hood that form no part of the claimed design.

1 Claim, 6 Drawing Sheets



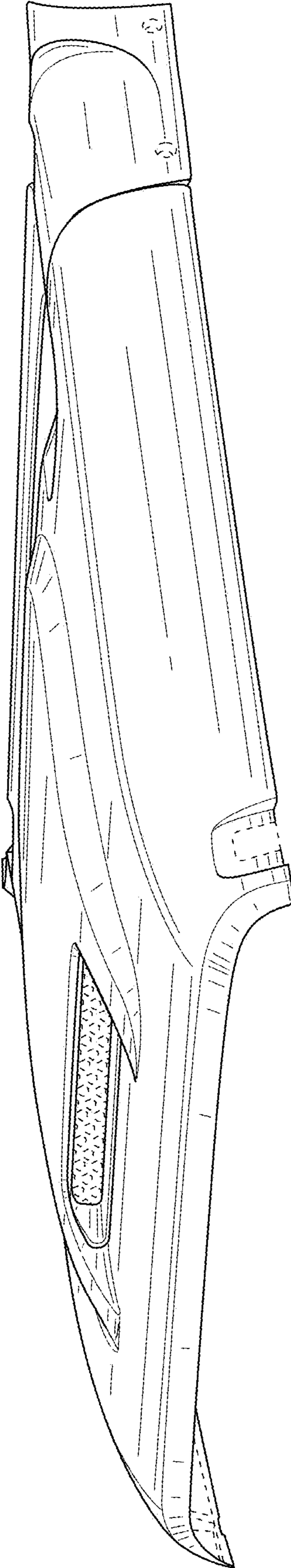


FIG. 1

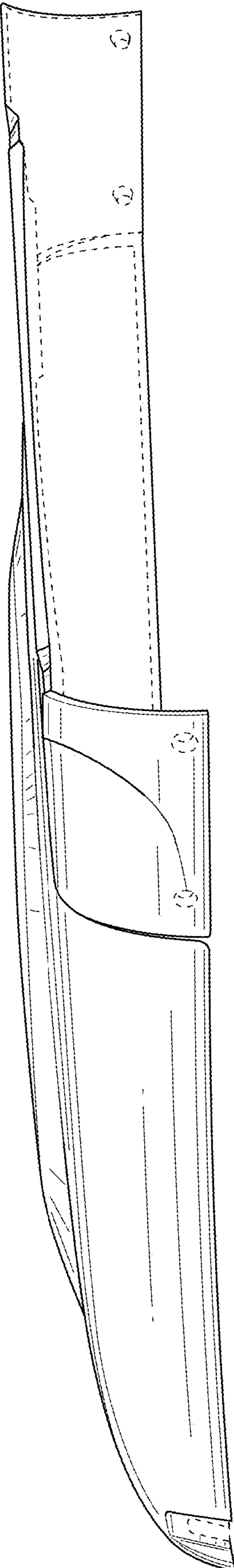


FIG. 2

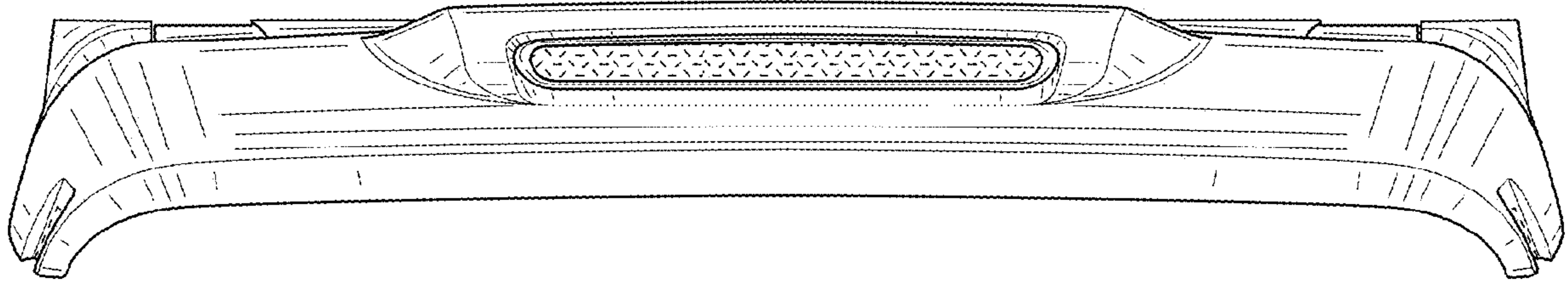


FIG. 3

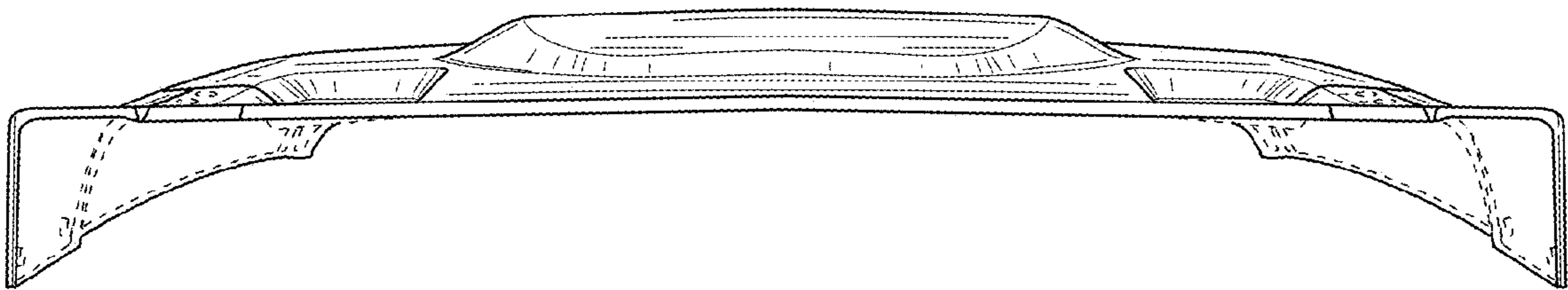


FIG. 4

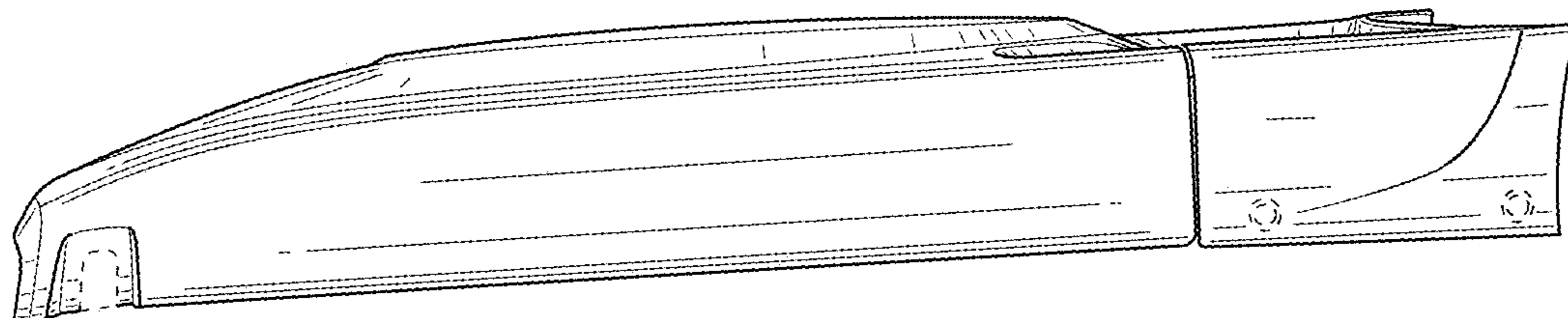


FIG. 5

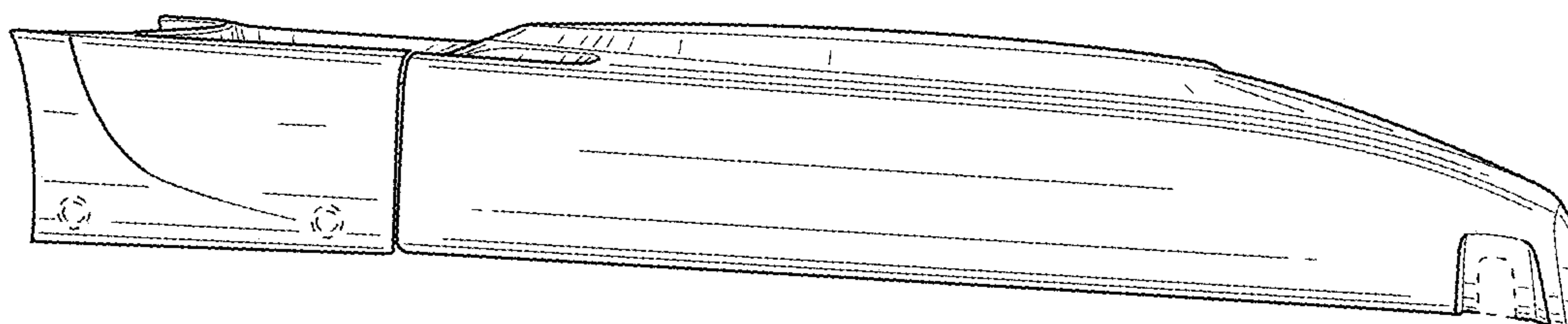


FIG. 6

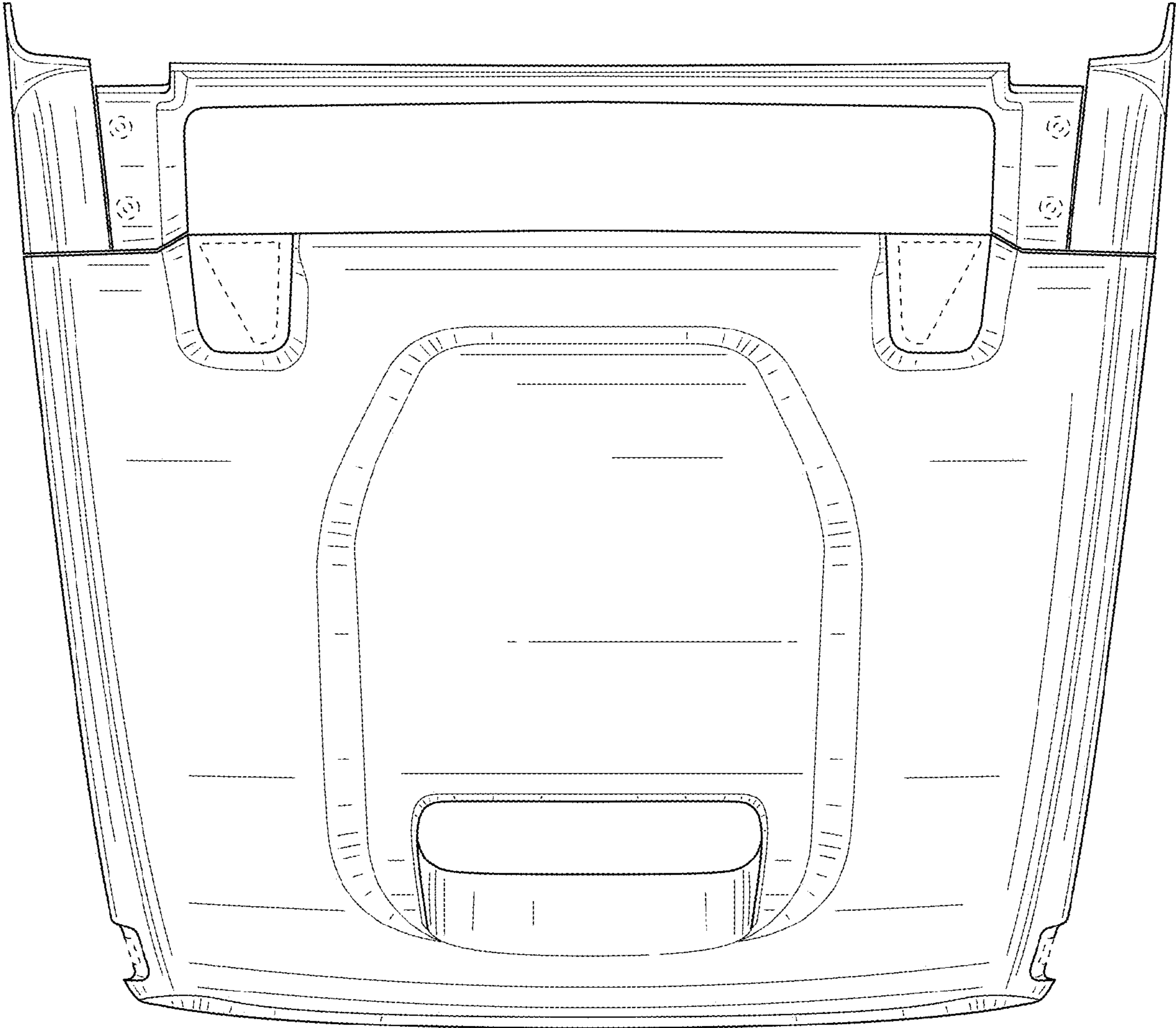


FIG. 7

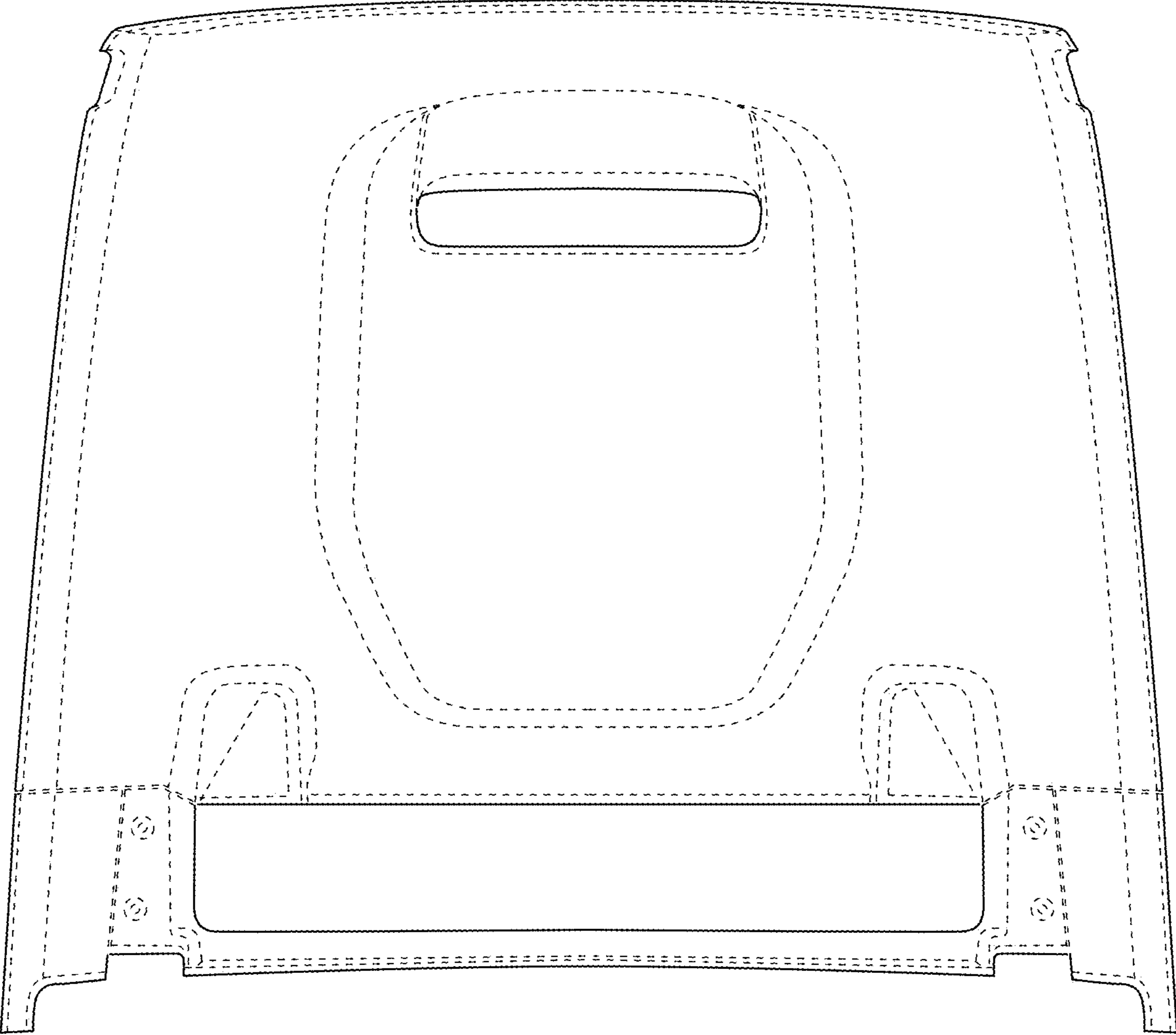


FIG. 8