



US00D915250S

(12) **United States Design Patent** (10) **Patent No.:** **US D915,250 S**  
**Li** (45) **Date of Patent:** **\*\* Apr. 6, 2021**

(54) **VEHICLE BUMPER GRILLE GUARD**  
(71) Applicant: **Lechangshi Xindongsui Auto Supplies Co., LTD.,** Shaoguan (CN)  
(72) Inventor: **PingAn Li,** Shaoguan (CN)  
(\*\*) Term: **15 Years**  
(21) Appl. No.: **29/688,693**

D388,042 S \* 12/1997 Thorne ..... D12/171  
D396,678 S \* 8/1998 Shklyaver ..... D12/171  
D410,879 S \* 6/1999 Orth, Sr. .... D12/171  
D416,219 S \* 11/1999 Waagenaar ..... D12/171  
D422,952 S \* 4/2000 Waagenaar ..... D12/171  
D422,953 S \* 4/2000 Waagenaar ..... D12/171  
D440,530 S \* 4/2001 Geisler ..... D12/171  
D483,708 S \* 12/2003 Roehmer ..... D12/171  
D523,383 S \* 6/2006 Fox ..... D12/171  
D528,481 S \* 9/2006 Taveras ..... D12/171  
D572,180 S \* 7/2008 Storer ..... D12/171  
D606,913 S \* 12/2009 Robertson ..... D12/171

(22) Filed: **Apr. 23, 2019**  
(51) **LOC (13) Cl.** ..... **12-16**  
(52) **U.S. Cl.**  
USPC ..... **D12/171**  
(58) **Field of Classification Search**  
USPC ..... D12/86, 90, 91, 92, 163, 164, 169, 171,  
D12/196, 216; D21/533, 538, 541, 542,  
D21/548, 549, 551, 562  
CPC ..... B60R 19/02; B60R 19/18; B60R 19/24;  
B60R 19/56; B60R 2019/007  
See application file for complete search history.

\* cited by examiner

*Primary Examiner* — Darlington Ly  
(74) *Attorney, Agent, or Firm* — Prakash Nama; Global IP Services, PLLC

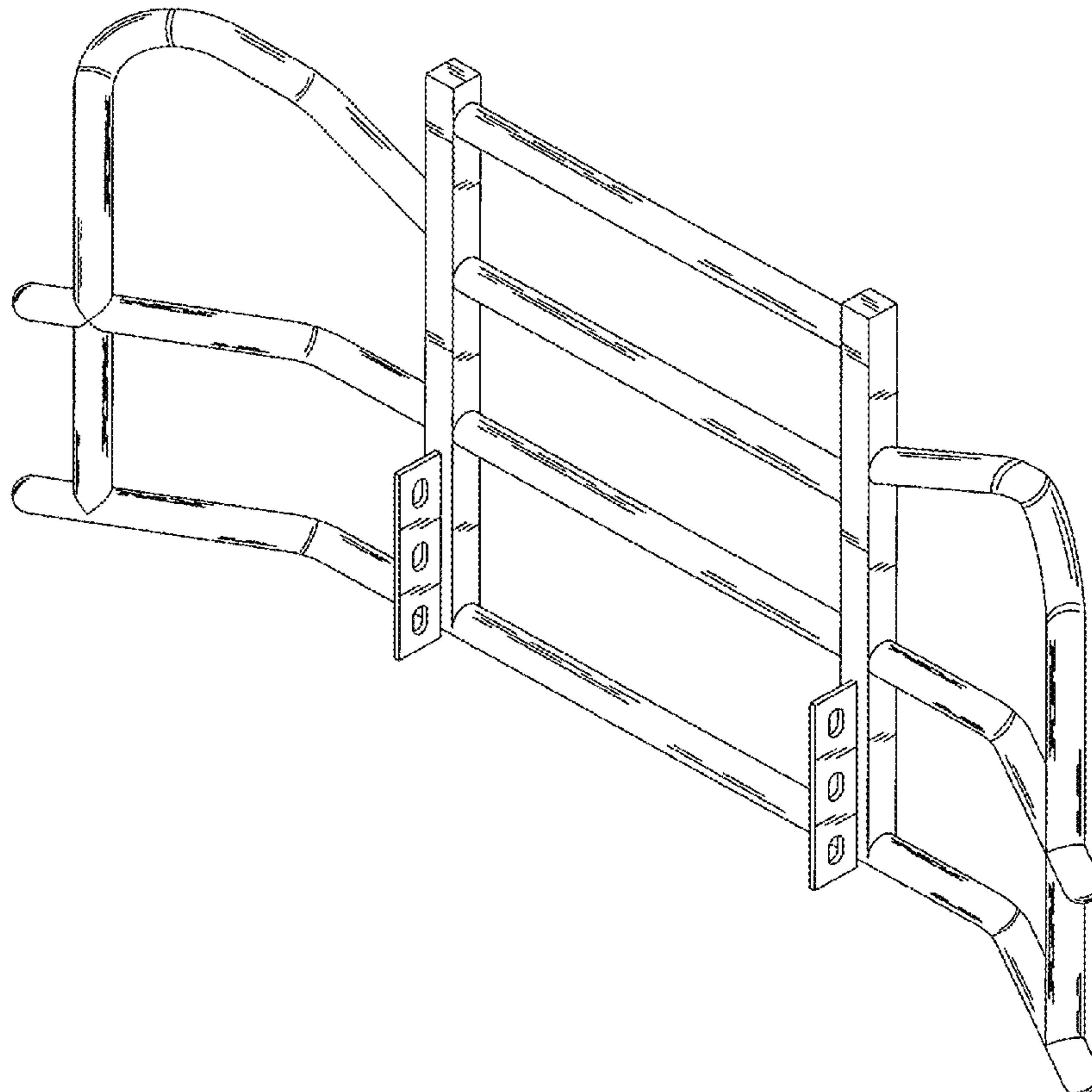
(57) **CLAIM**  
The ornamental design for a vehicle bumper grille guard, as shown.

(56) **References Cited**  
U.S. PATENT DOCUMENTS  
D280,398 S \* 9/1985 Milton ..... D12/171  
D307,256 S \* 4/1990 Holland ..... D12/171  
D333,457 S \* 2/1993 La Foe ..... D12/171  
D361,316 S \* 8/1995 Orth, Sr. .... D12/171  
D383,719 S \* 9/1997 Thorne ..... D12/171  
D384,625 S \* 10/1997 Thorne ..... D12/171

**DESCRIPTION**

FIG. 1 is a front elevational view of a vehicle bumper grille guard showing my new design;  
FIG. 2 is a rear elevational view thereof;  
FIG. 3 is a left side elevation view thereof;  
FIG. 4 is a right side elevation view thereof;  
FIG. 5 is a top plan view thereof;  
FIG. 6 is a bottom plan view thereof; and,  
FIG. 7 is a perspective view thereof.

**1 Claim, 6 Drawing Sheets**



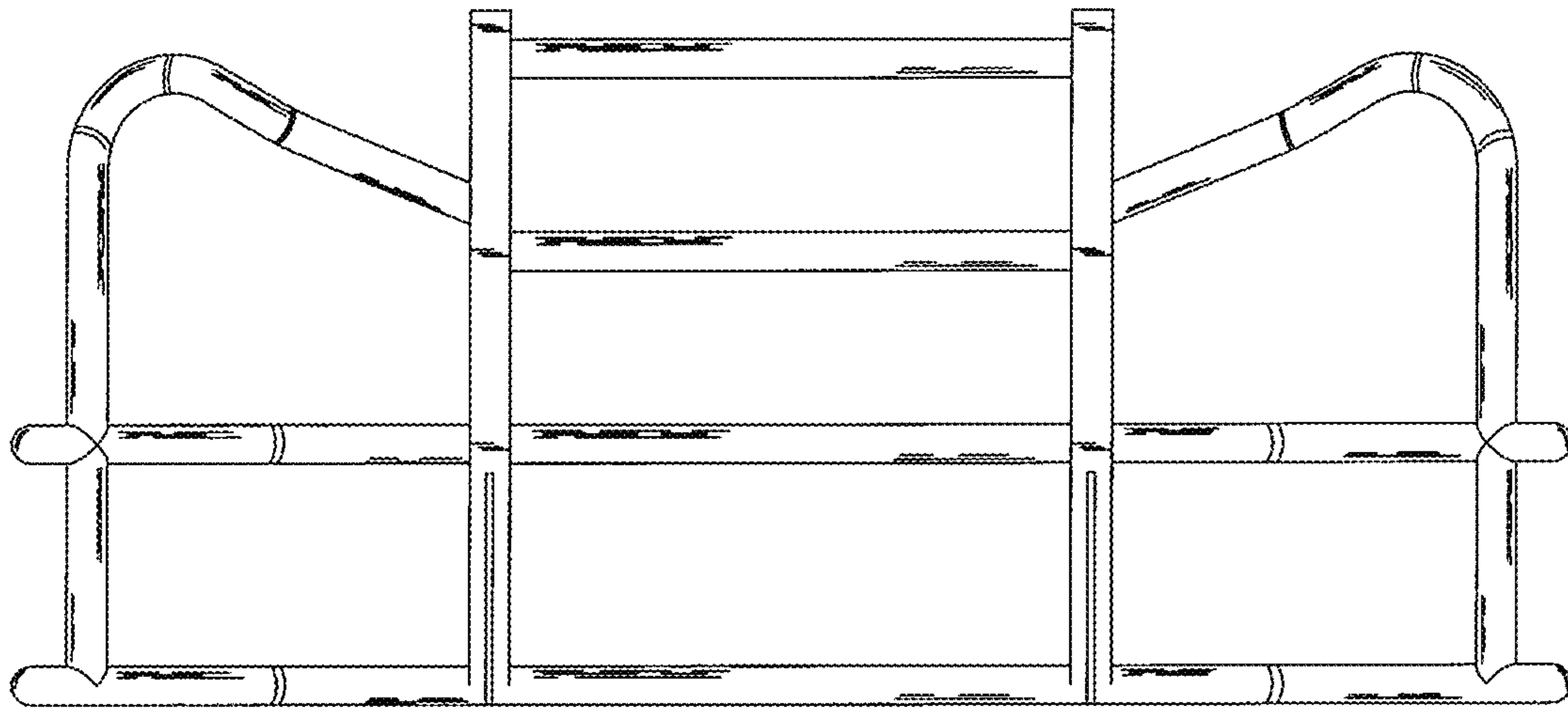


FIG. 1

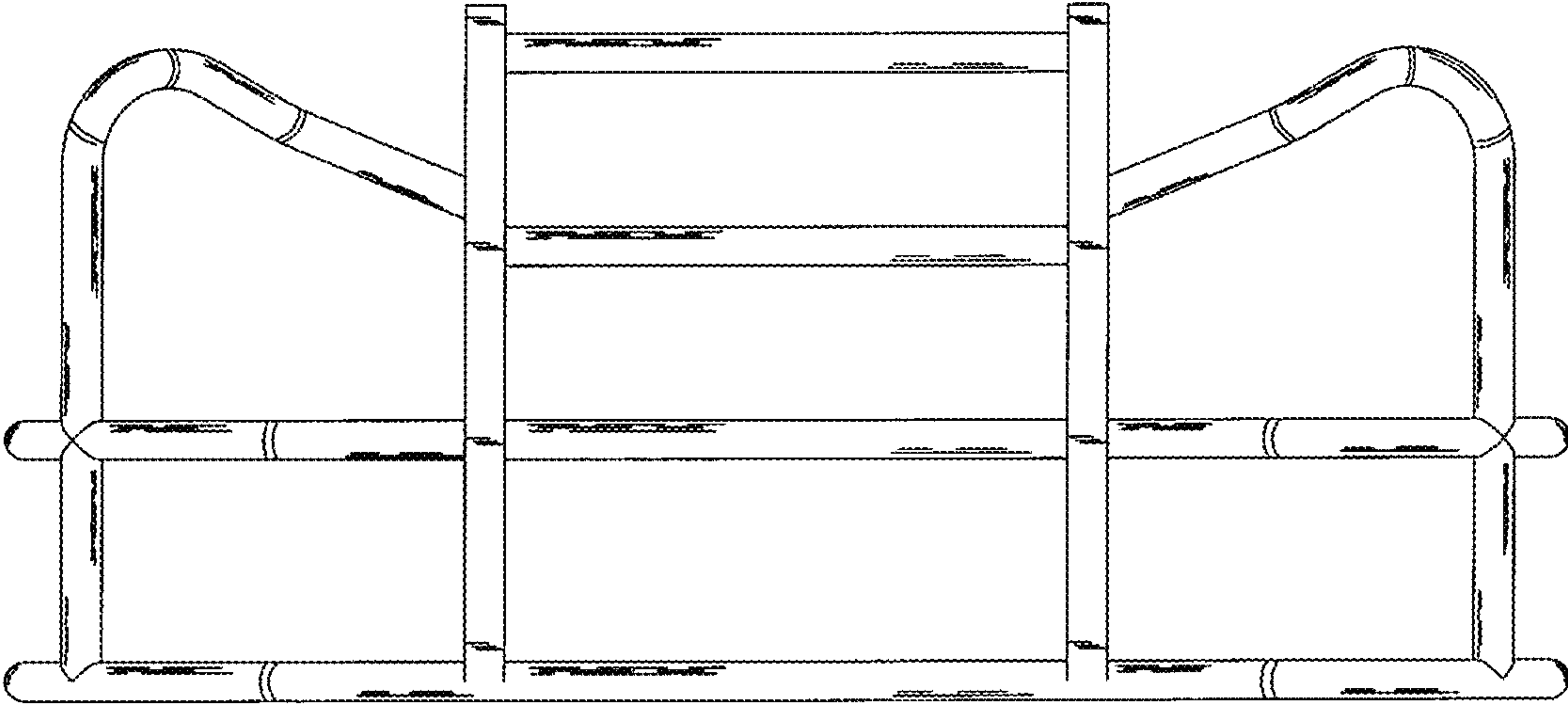


FIG. 2

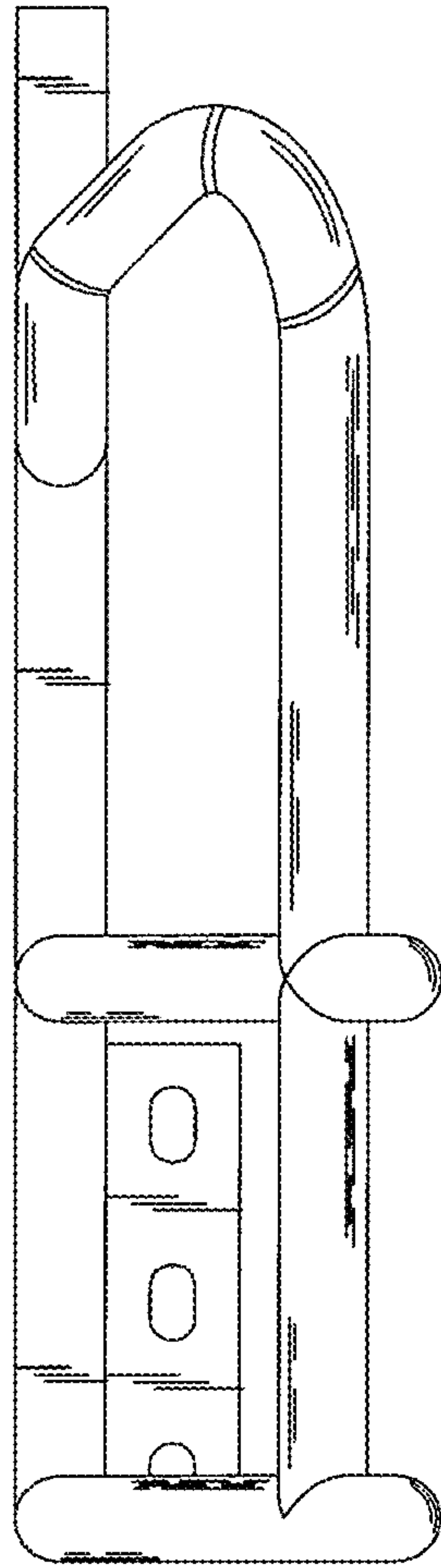


FIG. 3

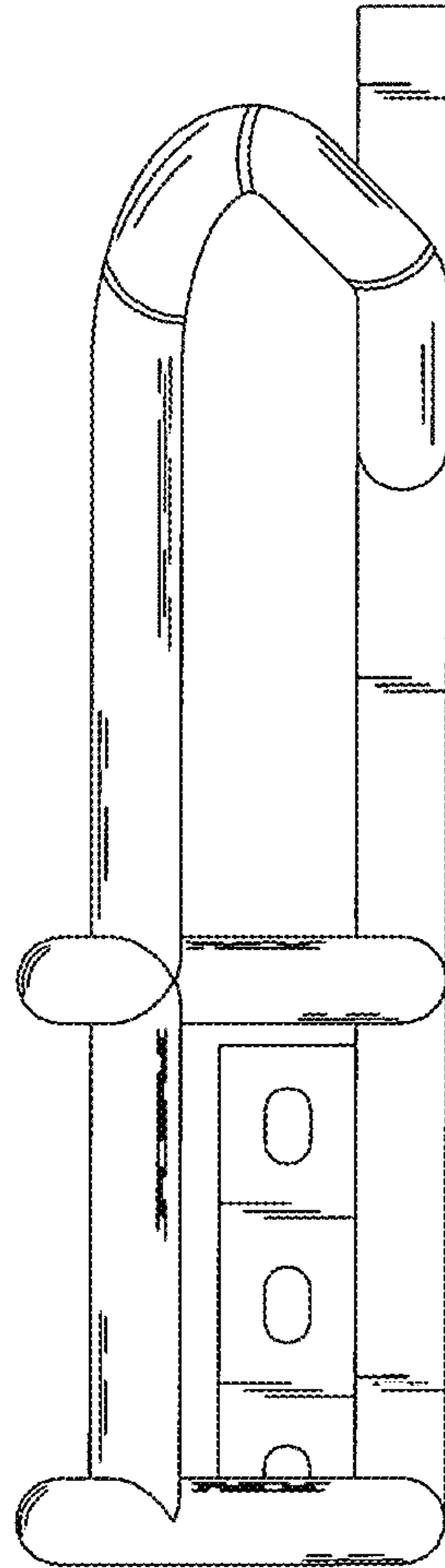


FIG. 4

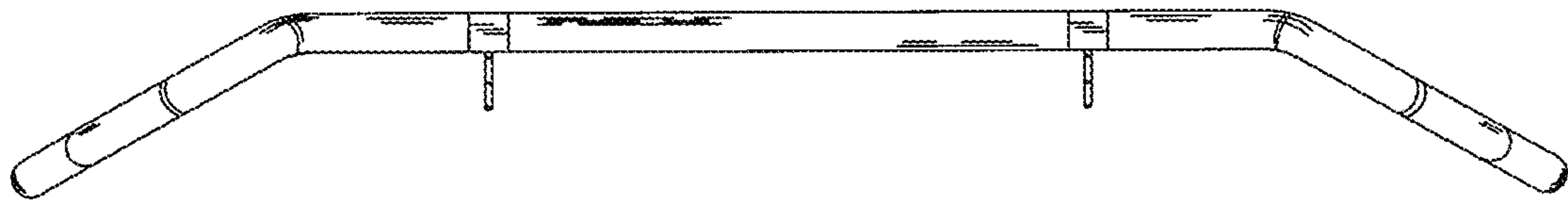


FIG. 5

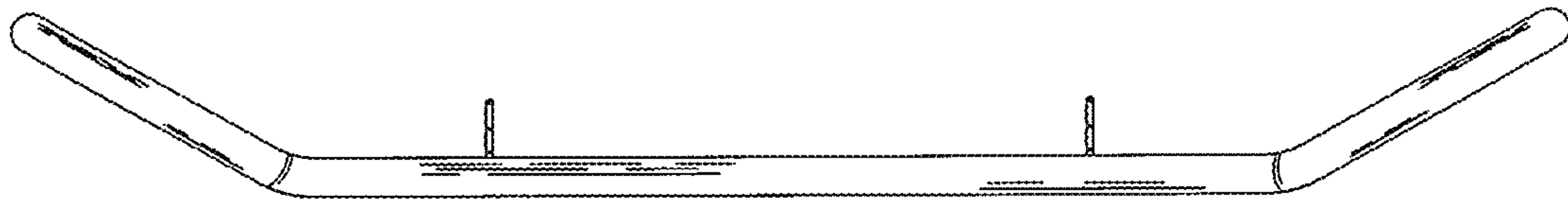


FIG. 6



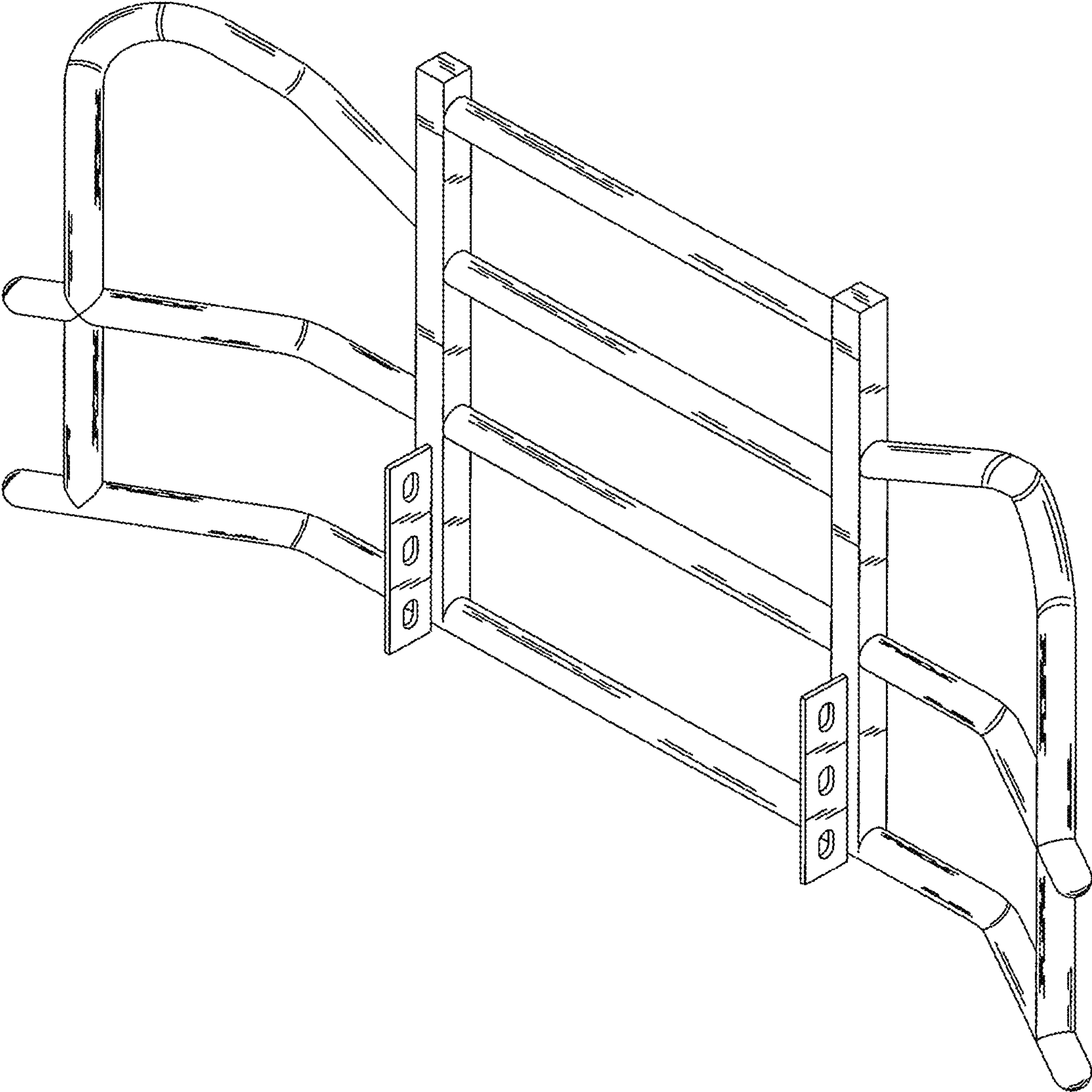


FIG. 7