



US00D915248S

(12) **United States Design Patent** (10) **Patent No.:** **US D915,248 S**
Collins et al. (45) **Date of Patent:** **** Apr. 6, 2021**

(54) **SET OF TOGGLES**

(56) **References Cited**

(71) Applicant: **DEKA Products Limited Partnership**,
Manchester, NH (US)

U.S. PATENT DOCUMENTS

(72) Inventors: **David E. Collins**, Merrimac, MA (US);
Katie A. DeLaurentis, Manchester, NH
(US); **Alexander D. Streeter**, Concord,
NH (US)

584,127 A	6/1897	Draullette et al.
849,270 A	4/1907	Schafer
880,823 A	3/1908	Redfield
2,224,411 A	12/1940	Smith
2,415,056 A	1/1947	Wheeler
2,618,447 A	11/1952	Lecarme
2,742,973 A	4/1956	Johannesen
2,966,223 A	12/1960	Gleasant
3,017,199 A	1/1962	Sechrist
3,145,797 A	8/1964	Taylor
3,179,355 A	4/1965	Pickering
3,260,324 A	7/1966	Suarez
3,283,398 A	11/1966	Andren
3,288,234 A	11/1966	Feliz
3,306,626 A	2/1967	Kawada
3,313,365 A	4/1967	Jackson
3,338,328 A	8/1967	Cataldo
3,348,518 A	10/1967	Forsyth
3,374,845 A	3/1968	Donald
3,399,742 A	9/1968	Malick
3,446,304 A	5/1969	Alimanestiand
3,450,219 A	6/1969	Fleming
3,515,401 A	6/1970	Gross
3,580,344 A	5/1971	Floyd
3,596,298 A	8/1971	Durst, Jr.
3,628,624 A	12/1971	Wesener
3,718,342 A	2/1973	Freed
3,787,066 A	1/1974	Hautier
3,790,150 A	2/1974	Lippert
3,860,264 A	1/1975	Douglas
3,872,945 A	3/1975	Hickman
3,893,689 A	7/1975	Verhoff
3,952,822 A	4/1976	Udden
3,965,402 A	6/1976	Mogle
3,993,154 A	11/1976	Simmons et al.
4,005,907 A	2/1977	Bonomo
4,018,440 A	4/1977	Deutsch
4,030,753 A	6/1977	Meiners
4,054,319 A	10/1977	Fogg et al.
4,062,558 A	12/1977	Wasserman
4,065,145 A	12/1977	Chambers
4,065,146 A	12/1977	Denzer
4,076,270 A	2/1978	Winchell
4,078,627 A	3/1978	Brown et al.
4,087,107 A	5/1978	Winchell

(73) Assignee: **DEKA Products Limited Partnership**,
Manchester, NH (US)

(**) Term: **15 Years**

(21) Appl. No.: **29/664,655**

(22) Filed: **Sep. 27, 2018**

Related U.S. Application Data

(63) Continuation of application No. 29/604,819, filed on
May 20, 2017, now Pat. No. Des. 829,612, and a
continuation-in-part of application No. 16/035,205,
filed on Jul. 13, 2018, which is a continuation-in-part
of application No. 15/787,613, filed on Oct. 18, 2017,
which is a continuation-in-part of application No.
15/600,703, filed on May 20, 2017.

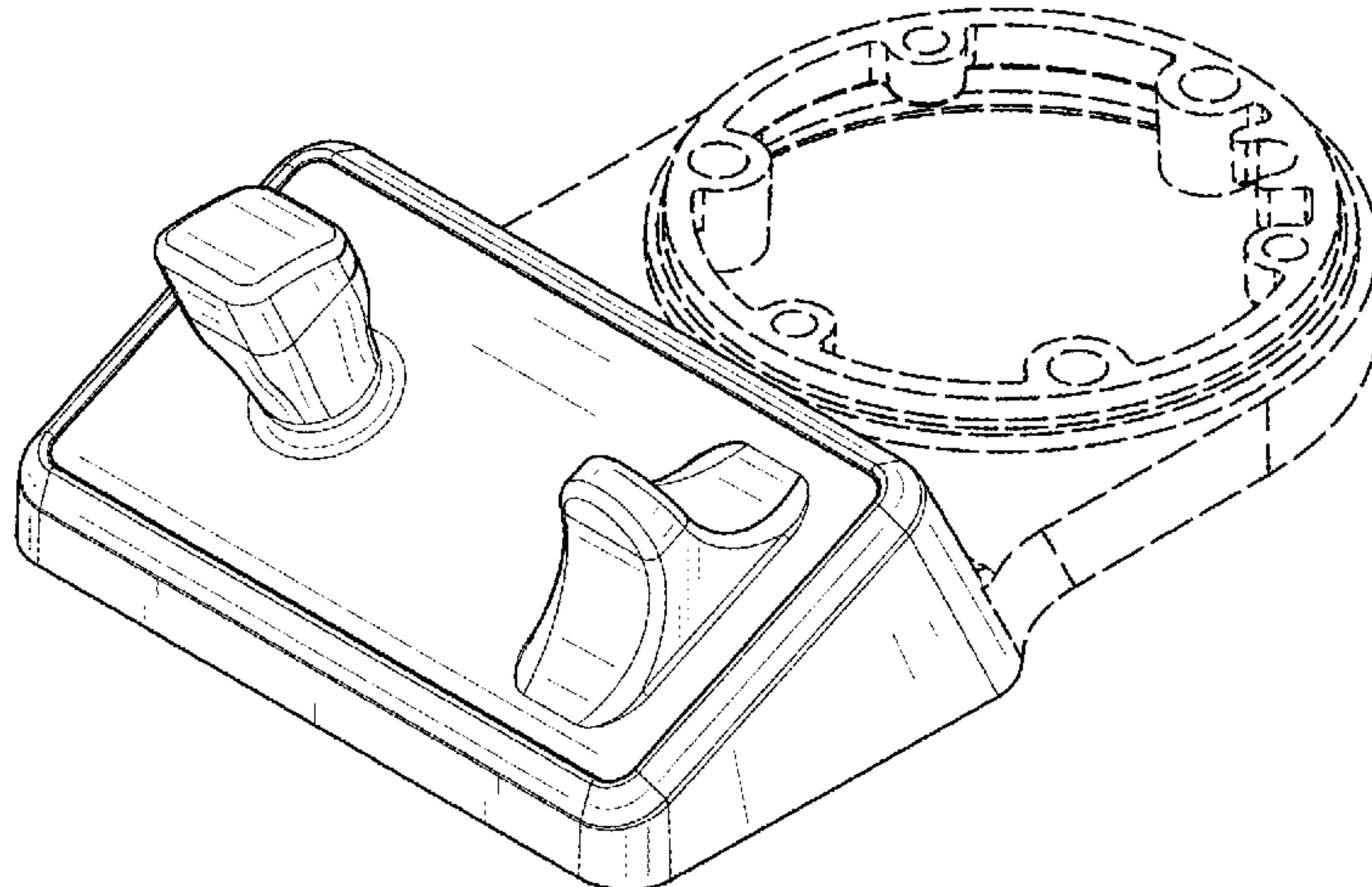
(51) **LOC (13) Cl.** **11-02**

(52) **U.S. Cl.**
USPC **D12/133; D13/169**

(58) **Field of Classification Search**
USPC **D12/128, 131, 133; D13/162, 169;**
D14/413

CPC **A61G 5/00; A61G 5/024; A61G 5/025;**
A61G 5/10; H01H 3/02; H01H 3/04;
H01H 21/02; H01H 21/04; H01H 21/22;
H01H 23/02; H01H 23/04; H01H 23/06;
H01H 23/08; H01H 23/14; H01H 23/146

See application file for complete search history.



US D915,248 S

Page 2

4,088,199 A	5/1978	Trautwein	5,012,176 A	4/1991	Laforge
4,094,372 A	6/1978	Notter	RE33,675 E	8/1991	Young
4,109,741 A	8/1978	Gabriel	5,044,457 A	9/1991	Aikman
4,111,445 A	9/1978	Haibeck	5,052,237 A	10/1991	Reimann
4,115,445 A	9/1978	Hearsey	5,076,390 A	12/1991	Haskins
4,140,200 A	2/1979	Tucek	5,087,103 A	2/1992	Pompier
4,151,892 A	5/1979	Francken	5,088,761 A	2/1992	Takehara et al.
D253,234 S	10/1979	Cooke	5,098,041 A	3/1992	Utrecht
4,222,449 A	9/1980	Feliz	5,111,899 A	5/1992	Reimann
4,264,082 A	4/1981	Fouchey, Jr.	5,124,938 A	6/1992	Algrain
4,266,627 A	5/1981	Lauber	5,125,468 A	6/1992	Coker
4,274,503 A	6/1981	Mackintosh	5,136,219 A	8/1992	Takahashi
4,281,734 A	8/1981	Johnston	5,158,493 A	10/1992	Morgrey
4,293,052 A	10/1981	Daswick	5,161,820 A	11/1992	Vollmer
4,307,788 A	12/1981	Shelton	5,165,711 A	11/1992	Tsai
4,325,565 A	4/1982	Winchell	5,168,947 A	12/1992	Rodenborn
4,354,569 A	10/1982	Eichholz	5,171,173 A	12/1992	Henderson
D266,758 S	11/1982	Johannsen	5,186,270 A	2/1993	West
4,363,493 A	12/1982	Veneklasen	5,208,521 A	5/1993	Aoyama
4,373,600 A	2/1983	Buschbom	5,217,246 A	6/1993	Williams
4,375,840 A	3/1983	Campbell	5,221,883 A	6/1993	Takenaka
4,413,693 A	11/1983	Derby	5,229,068 A	7/1993	Johansson et al.
4,448,455 A	5/1984	Ellegaard	5,241,875 A	9/1993	Kochanneck
4,456,086 A	6/1984	Wier	5,248,007 A	9/1993	Watkins
4,484,648 A	11/1984	Jephcott	5,261,503 A	11/1993	Yasui
4,510,956 A	4/1985	King	5,274,576 A	12/1993	Williams
4,512,588 A	4/1985	Cox	5,276,588 A	1/1994	Replinger
4,556,997 A	12/1985	Takamiya	5,276,624 A	1/1994	Ito
4,560,022 A	12/1985	Kassai	5,297,646 A	3/1994	Yamamura
4,566,707 A	1/1986	Nitzberg	5,307,888 A	5/1994	Urvoy
4,570,078 A	2/1986	Yashima	5,307,892 A	5/1994	Philips
4,571,844 A	2/1986	Komasaku	5,314,034 A	5/1994	Chittal
4,624,469 A	11/1986	Bourne, Jr.	5,350,033 A	9/1994	Kraft
4,648,783 A	3/1987	Tan	5,366,036 A	11/1994	Perry
4,657,271 A	4/1987	Salmon	5,369,580 A	11/1994	Monji
4,657,272 A	4/1987	Davenport	5,376,868 A	12/1994	Toyoda
4,685,693 A	8/1987	Vadjunec	D355,148 S	2/1995	Orsolini
4,709,772 A	12/1987	Brunet	5,388,658 A	2/1995	Ando et al.
4,712,806 A	12/1987	Patrin	5,397,890 A	3/1995	Schueler
4,716,980 A	1/1988	Butler	5,408,411 A	4/1995	Nakamura
4,722,547 A	2/1988	Kishi	5,408,811 A	4/1995	Satake
4,732,353 A	3/1988	Studer	5,417,298 A	5/1995	Shibahata
4,740,001 A	4/1988	Torleumke	5,419,624 A	5/1995	Adler
4,746,132 A	5/1988	Eagan	5,450,919 A	9/1995	Shitani
4,750,578 A	6/1988	Brandenfels	5,465,806 A	11/1995	Higasa
4,770,410 A	9/1988	Brown	5,482,125 A	1/1996	Page
4,778,133 A	10/1988	Sakurai	D373,121 S	8/1996	Deiuliis et al.
4,786,069 A	11/1988	Tang	5,551,756 A	9/1996	Gurasich et al.
4,787,679 A	11/1988	Arnold	5,576,959 A	11/1996	Hrovat
4,790,400 A	12/1988	Sheeter	D376,585 S	12/1996	Wathen et al.
4,790,548 A	12/1988	Decelles	5,615,116 A	3/1997	Gudat
4,794,730 A	1/1989	Fischbach	D381,325 S	7/1997	McMahan
4,794,999 A	1/1989	Hester	5,646,845 A	7/1997	Gudat
4,798,255 A	1/1989	Wu	5,649,605 A	7/1997	Ronne et al.
4,802,542 A	2/1989	Houston	5,657,828 A	8/1997	Nagamachi
4,809,804 A	3/1989	Houston	5,695,021 A	12/1997	Schaffner
4,834,200 A	5/1989	Kajita	5,701,965 A	12/1997	Kamen
4,837,694 A	6/1989	Narita et al.	5,701,968 A	12/1997	Wright-Ott
4,863,182 A	9/1989	Chern	5,705,746 A	1/1998	Trost
4,867,188 A	9/1989	Reid	5,732,379 A	3/1998	Eckert
4,869,279 A	9/1989	Hedges	5,743,347 A	4/1998	Gingerich
4,874,055 A	10/1989	Beer	5,746,282 A	5/1998	Fujiwara
4,890,853 A	1/1990	Olson	5,769,441 A	6/1998	Namngani
4,897,070 A	1/1990	Wagstaff	5,774,819 A	6/1998	Yamamoto et al.
4,913,252 A	4/1990	Bartley et al.	5,775,452 A	7/1998	Patmont
4,919,225 A	4/1990	Sturges	5,791,425 A	8/1998	Kamen
D308,364 S	6/1990	Beasley, Jr.	5,794,730 A	8/1998	Kamen
4,941,854 A	7/1990	Takahashi et al.	5,799,745 A	9/1998	Fukatani
4,944,360 A	7/1990	Sturges	5,799,914 A	9/1998	Chivallier et al.
4,953,851 A	9/1990	Sherlock	5,826,209 A	10/1998	Matsuno
4,964,679 A	10/1990	Rath	D402,645 S	12/1998	Garguilo
4,967,862 A	11/1990	Pong et al.	5,848,660 A	12/1998	McGreen
4,973,071 A	11/1990	Ishizaki	5,850,136 A	12/1998	Kaneko
4,984,754 A	1/1991	Yarrington	5,869,943 A	2/1999	Nakashima et al.
4,985,947 A	1/1991	Ethridge	5,869,946 A	2/1999	Carobolante
4,998,596 A	3/1991	Miksitz	5,893,896 A	4/1999	Imamura et al.
5,001,636 A	3/1991	Shiraishi et al.	5,927,414 A	7/1999	Kan et al.
5,002,295 A	3/1991	Lin	5,928,309 A	7/1999	Korver
5,011,171 A	4/1991	Cook	5,931,421 A	8/1999	Surauer et al.

US D915,248 S

5,939,864 A	8/1999	Lenhart et al.	6,502,011 B2	12/2002	Haag	
5,965,991 A	10/1999	Koike	6,508,319 B1	1/2003	Langenfeld et al.	
5,971,091 A	10/1999	Kamen	6,538,411 B1	3/2003	Field	
5,973,463 A	10/1999	Okuda	6,543,564 B1	4/2003	Kamen	
5,975,225 A	11/1999	Kamen	6,543,848 B1	4/2003	Suga et al.	
5,986,221 A	11/1999	Stanley	6,543,858 B1	4/2003	Melton	
6,002,975 A	12/1999	Schiffmann	6,547,026 B2	4/2003	Kamen et al.	
6,003,624 A	12/1999	Jorgensen	6,553,271 B1	4/2003	Morrell	
6,024,182 A	2/2000	Hamada et al.	6,556,909 B2	4/2003	Matsumoto	
6,036,619 A	3/2000	Tashiro	6,561,294 B1	5/2003	Kamen	
6,039,142 A	3/2000	Eckstein	6,562,511 B2	5/2003	Daroux	
6,050,357 A	4/2000	Staelin	6,571,176 B1	5/2003	Shinmura	
6,052,647 A	4/2000	Parkinson	6,571,892 B2	6/2003	Kamen	
6,053,579 A	4/2000	Nelson et al.	6,575,539 B2	6/2003	Reich	
6,059,062 A	5/2000	Staelin	6,581,714 B1	6/2003	Kamen	
6,062,600 A	5/2000	Kamen et al.	6,582,181 B2	6/2003	Suehiro et al.	
6,062,651 A	5/2000	Schaad	6,586,901 B1	7/2003	Singer et al.	
6,065,558 A	5/2000	Wielenga	6,593,849 B2	7/2003	Chubb	
6,076,033 A	6/2000	Hamada	6,598,941 B2	7/2003	Field et al.	
6,089,680 A	7/2000	Yoshioka et al.	6,614,343 B1	9/2003	Fennel	
6,092,249 A	7/2000	Kamen et al.	6,615,938 B2	9/2003	Morrell et al.	
D428,936 S	8/2000	Serfaty	6,634,451 B2	10/2003	Sakakiyama	
6,105,704 A	8/2000	Hamada	6,643,451 B1	11/2003	Tokura et al.	
6,123,398 A	9/2000	Arai	6,647,248 B1	11/2003	Ortscheid et al.	
6,125,953 A	10/2000	Arai	6,651,763 B1	11/2003	Kamen et al.	
6,125,957 A	10/2000	Kauffmann	6,654,674 B2	11/2003	Lu	
6,131,057 A	10/2000	Tamaki	6,654,675 B2	11/2003	Pedersen et al.	
6,141,613 A	10/2000	Fan	6,659,211 B2	12/2003	Esposito	
6,148,939 A	11/2000	Brookhart	6,659,570 B2	12/2003	Nakamura	
6,154,692 A	11/2000	Cielaszyk	D485,279 S	1/2004	Decombe	
D434,762 S	12/2000	Ikenaga	6,694,225 B2	2/2004	Aga	
6,169,946 B1	1/2001	Griessbach	6,704,622 B2	3/2004	Tinsky	
6,189,643 B1	2/2001	Takahashi	6,713,693 B1*	3/2004	Sadowski	H01H 25/00
6,192,305 B1	2/2001	Schiffmann				200/17 R
6,208,734 B1	3/2001	Ortscheid et al.	D489,027 S	4/2004	Waters	
6,208,929 B1	3/2001	Matsuno et al.	D489,029 S	4/2004	Waters	
6,212,276 B1	4/2001	Inoue	D489,300 S	5/2004	Chang	
6,223,104 B1	4/2001	Kamen	6,752,231 B2	6/2004	Hume	
6,223,114 B1	4/2001	Boros	D493,127 S	7/2004	Waters	
6,225,977 B1	5/2001	Li	D493,128 S	7/2004	Waters	
D444,184 S	6/2001	Kettler	D493,801 S	8/2004	Byun	
6,247,548 B1	6/2001	Hayashi	D494,099 S	8/2004	Maurer	
6,260,646 B1	7/2001	Fernandez et al.	6,779,621 B2	8/2004	Kamen et al.	
6,263,261 B1	7/2001	Brown	6,781,960 B1	8/2004	Charas	
6,273,212 B1	8/2001	Husted et al.	6,789,640 B1	9/2004	Arling	
6,276,471 B1	8/2001	Kratzenberg et al.	6,793,258 B2	9/2004	Gray	
6,288,505 B1	9/2001	Heinzmann	6,796,396 B2	9/2004	Kamen	
6,292,722 B1	9/2001	Holmes et al.	6,799,649 B2	10/2004	Kamen et al.	
6,302,230 B1	10/2001	Kamen	6,827,163 B2	12/2004	Amsbury et al.	
6,311,794 B1	11/2001	Morrell et al.	D503,402 S	3/2005	Su	
6,320,336 B1	11/2001	Eguchi	6,866,107 B2	3/2005	Heinzmann et al.	
6,324,446 B1	11/2001	Brown et al.	6,868,931 B2	3/2005	Morrell	
6,325,736 B1	12/2001	Hamada	D503,928 S	4/2005	Obata	
6,328,125 B1	12/2001	Van Den Brink	6,874,591 B2	4/2005	Morrell et al.	
6,332,103 B1	12/2001	Steenon, Jr.	6,889,784 B2	5/2005	Troll	
6,332,104 B1	12/2001	Brown	6,907,949 B1	6/2005	Wang	
6,343,664 B2	2/2002	Morrell et al.	D507,206 S	7/2005	Wang	
6,356,188 B1	3/2002	Meyers	6,920,947 B2	7/2005	Kamen et al.	
6,357,544 B1	3/2002	Kamen	6,938,923 B2	9/2005	Mulhern et al.	
6,360,996 B1	3/2002	Bockman et al.	6,962,383 B2	11/2005	Takenoshita et al.	
6,367,817 B1	4/2002	Kamen	6,965,206 B2	11/2005	Kamen et al.	
6,371,228 B1	4/2002	Husted et al.	6,969,079 B2	11/2005	Kamen et al.	
6,377,906 B1	4/2002	Rowe	7,000,933 B2	2/2006	Arling et al.	
6,386,576 B1	5/2002	Kamen et al.	7,004,271 B1	2/2006	Kamen et al.	
6,388,580 B1	5/2002	Graham	7,006,901 B2	2/2006	Wang	
6,397,046 B1	5/2002	Kfoury	D517,086 S	3/2006	Siebel	
6,405,816 B1	6/2002	Kamen et al.	7,017,686 B2	3/2006	Kamen et al.	
6,408,240 B1	6/2002	Morrell et al.	D521,017 S	5/2006	Jewitt	
6,415,215 B1	7/2002	Nishizaki	7,040,713 B2	5/2006	Rudolf	
6,415,879 B2	7/2002	Kamen et al.	D524,315 S	7/2006	Reusing	
6,416,272 B1	7/2002	Suehiro	7,090,040 B2	8/2006	Kamen et al.	
6,435,535 B1	8/2002	Field	D528,468 S	9/2006	Arling	
6,435,538 B2	8/2002	Ellis	D529,005 S	9/2006	Hong	
6,443,250 B1	9/2002	Kamen et al.	7,102,328 B2	9/2006	Long et al.	
6,443,251 B1	9/2002	Morrell et al.	7,130,702 B2	10/2006	Morrell	
6,463,369 B2	10/2002	Sadano	7,174,976 B2	2/2007	Kamen et al.	
D466,122 S	11/2002	Moody	7,178,611 B2	2/2007	Zupanick	
6,484,829 B1	11/2002	Cox	7,178,614 B2	2/2007	Ishii	
D466,516 S	12/2002	Peiker	7,182,166 B2	2/2007	Gray et al.	

US D915,248 S

D539,810 S	4/2007	Cummins	8,490,723 B2	7/2013	Heinzmann
7,198,223 B2	4/2007	Phelps, III et al.	8,504,248 B2	8/2013	Taira
7,210,544 B2	5/2007	Kamen et al.	8,564,444 B2	10/2013	Ota et al.
7,219,912 B2	5/2007	Meyer	8,584,782 B2	11/2013	Chen
D544,486 S	6/2007	Hussaini	8,621,684 B2	1/2014	Okumatsu
7,234,779 B2	6/2007	Bedford et al.	8,636,451 B2	1/2014	Yamashita et al.
D546,782 S	7/2007	Poulet	8,639,416 B2	1/2014	Jones
D549,721 S	8/2007	Ito	8,640,807 B2	2/2014	Takenaka
D551,592 S	9/2007	Chang et al.	8,672,339 B2	3/2014	Raike, III
D551,722 S	9/2007	Chang et al.	8,672,356 B2	3/2014	Inaguma
7,273,116 B2	9/2007	Kamen et al.	8,684,123 B2	4/2014	Chen
D552,609 S	10/2007	Kornblum et al.	8,690,265 B2	4/2014	Noblanc
7,275,607 B2	10/2007	Kamen et al.	D704,621 S	5/2014	Taylor
D556,149 S	11/2007	Kaufhold	D705,799 S	5/2014	Funabashi
D557,220 S	12/2007	Ewringmann	8,738,238 B2	5/2014	Rekow
7,303,032 B2	12/2007	Kahlert et al.	8,738,278 B2	5/2014	Chen
7,316,441 B2	1/2008	Iwatani et al.	D706,807 S	6/2014	Harre
D564,033 S	3/2008	Itskov	D707,701 S	6/2014	D'amore
7,363,993 B2	4/2008	Ishii	8,753,208 B2	6/2014	Jaouen et al.
7,370,713 B1	5/2008	Kamen	D708,203 S	7/2014	Johnson
7,399,035 B2	7/2008	Kusanagi et al.	8,807,250 B2	8/2014	Chen
7,481,291 B2	1/2009	Nishikawa	8,830,048 B2	9/2014	Kamen et al.
D585,906 S	2/2009	Berg	8,832,875 B2	9/2014	Odashima et al.
D587,660 S *	3/2009	Lin D13/169	D716,325 S	10/2014	Brudnicki
7,546,889 B2	6/2009	Kamen et al.	8,860,551 B2	10/2014	Carraher
D598,927 S	8/2009	Hirsch	D716,818 S	11/2014	Alegiani
7,589,643 B2	9/2009	Dagci	8,925,563 B2	1/2015	Ota et al.
7,592,900 B2	9/2009	Kamen et al.	8,958,976 B2	2/2015	Kajima
D601,922 S	10/2009	Imai et al.	D723,558 S *	3/2015	Downs D12/133
7,640,086 B2	12/2009	Nakashima et al.	8,978,791 B2	3/2015	Ha
7,688,191 B2	3/2010	Lu	9,016,410 B2	4/2015	Trowell et al.
7,690,447 B2	4/2010	Kamen et al.	D729,270 S	5/2015	Clare
7,690,452 B2	4/2010	Kamen et al.	D729,833 S	5/2015	Clare
7,703,568 B2	4/2010	Ishii	9,038,212 B2	5/2015	Yamaguchi et al.
D614,998 S	5/2010	Fujita	D732,062 S	6/2015	Kwon
7,740,099 B2	6/2010	Field et al.	9,045,190 B2	6/2015	Chen
7,757,794 B2	7/2010	Heinzmann	D738,907 S	9/2015	Cabrera-Cordon
7,789,174 B2	9/2010	Kamen	D738,913 S	9/2015	Cabrera-Cordon
7,823,676 B2	11/2010	Yamada et al.	9,126,497 B2	9/2015	Heinzmann
7,857,088 B2	12/2010	Field	9,156,516 B2	10/2015	Kahlert
D632,229 S *	2/2011	Kruse D12/131	D742,300 S	11/2015	Fontaeus
7,896,440 B2	3/2011	Tsai	D742,407 S	11/2015	Park
7,900,725 B2	3/2011	Heinzmann et al.	D742,795 S	11/2015	Siao et al.
7,917,097 B2	3/2011	Hawkins et al.	D750,179 S	2/2016	Foulkes
7,958,956 B2	6/2011	Kakinuma et al.	D752,572 S	3/2016	Kohler
8,011,459 B2	9/2011	Serai	D755,785 S	5/2016	Sirotych
8,014,923 B2	9/2011	Ishii	D757,732 S	5/2016	Galanti
8,025,325 B1	9/2011	Carrier et al.	D758,284 S	6/2016	Ringer
8,028,777 B2	10/2011	Kakinuma	D762,179 S	7/2016	Wong
8,050,820 B2	11/2011	Yanaka	D763,359 S	8/2016	Kwong
8,050,837 B2	11/2011	Yamada	D764,520 S	8/2016	Lee
8,074,388 B2	12/2011	Trainer	D765,718 S	9/2016	Vinna
8,091,672 B2	1/2012	Gutsch	D769,314 S	10/2016	Piroddi
8,113,244 B2	2/2012	Kamen et al.	D770,514 S	11/2016	Bae
8,151,912 B2	4/2012	Koide et al.	D772,255 S	11/2016	Taylor
8,155,828 B2	4/2012	Fuwa et al.	D772,924 S	11/2016	Begin
8,160,794 B2	4/2012	Fuwa	D775,148 S	12/2016	Anzures
8,162,089 B2	4/2012	Shaw	D778,312 S	2/2017	Goodwin
8,170,780 B2	5/2012	Field	D786,278 S	5/2017	Motamedi
8,170,781 B2	5/2012	Fuwa	D786,770 S	5/2017	Smallhorn
8,172,016 B2	5/2012	Goertzen et al.	D787,420 S	5/2017	Smallhorn
8,186,462 B2	5/2012	Kamen	9,662,438 B2	5/2017	Kamen et al.
8,224,524 B2	7/2012	Nakashima	D792,444 S	7/2017	Cho
8,225,891 B2	7/2012	Takenaka	D797,772 S	9/2017	Mizonono
8,248,222 B2	8/2012	Kamen	D798,318 S	9/2017	Ferguson
8,249,773 B2	8/2012	Kawada	9,750,896 B2	9/2017	Kamen et al.
8,255,105 B2	8/2012	Weissert	D801,996 S	11/2017	Yang
8,265,774 B2	9/2012	Senba	D802,002 S	11/2017	Howard
8,285,474 B2	10/2012	Doi	D804,393 S	12/2017	Yoo
8,312,017 B2	11/2012	Martin et al.	D805,972 S	12/2017	Lee
8,346,441 B2	1/2013	Miki	D805,973 S	12/2017	Mullaney
8,371,410 B2	2/2013	Fuwa	D807,235 S *	1/2018	Collins D12/133
D678,217 S	3/2013	Helm	D807,236 S *	1/2018	Collins D12/133
D678,320 S	3/2013	Kanalakis, Jr.	D807,277 S	1/2018	Lee
8,417,404 B2	4/2013	Yen	D812,533 S	3/2018	Lee
8,418,705 B2	4/2013	Ota et al.	D814,370 S	4/2018	Kim
8,453,768 B2	6/2013	Kamen	D825,437 S	8/2018	Hilton
8,467,941 B2	6/2013	Field	D825,493 S	8/2018	Chen
D686,200 S	7/2013	Huang	D829,612 S *	10/2018	Collins D12/133

US D915,248 S

2002/0007239	A1	1/2002	Matsumoto		2011/0220427	A1	9/2011	Chen	
2002/0056582	A1	5/2002	Chubb		2011/0221160	A1	9/2011	Shaw	
2002/0063006	A1	5/2002	Kamen		2011/0238247	A1	9/2011	Yen	
2002/0082749	A1	6/2002	Meyers		2011/0285195	A1	11/2011	Ratgen	
2002/0121394	A1	9/2002	Kamen		2012/0197470	A1	8/2012	Inui	
2002/0121572	A1	9/2002	Jacobson		2012/0205176	A1	8/2012	Ha	
2002/0189870	A1	12/2002	Kamen		2012/0219395	A1	8/2012	Inaguma et al.	
2003/0014167	A1	1/2003	Pedersen		2012/0239284	A1	9/2012	Field	
2003/0128840	A1	7/2003	Luginbill		2012/0290162	A1	11/2012	Stevens	
2003/0226698	A1	12/2003	Kamen		2013/0032422	A1	2/2013	Chen	
2004/0005958	A1	1/2004	Kamen		2013/0032423	A1	2/2013	Chen	
2004/0007399	A1	1/2004	Heinzmann		2013/0105239	A1	5/2013	Fung	
2004/0007644	A1	1/2004	Phelps, III et al.		2013/0228385	A1	9/2013	Chen	
2004/0055796	A1	1/2004	Kamen		2013/0253769	A1	9/2013	Kamo	
2004/0069543	A1	4/2004	Kamen		2014/0018994	A1	1/2014	Panzarella	
2004/0124655	A1	7/2004	Takenoshita et al.		2014/0058600	A1	2/2014	Hoffmann	
2004/0135434	A1	7/2004	Honda		2014/0083225	A1*	3/2014	Downs	B60K 37/06
2004/0201271	A1	10/2004	Kakinuma						74/471 XY
2004/0256886	A1*	12/2004	Wu	A61G 5/10 296/181.1	2014/0277888	A1	9/2014	Dastoor	
					2015/0060162	A1	3/2015	Goffer	
2004/0262871	A1	12/2004	Schreuder		2015/0112264	A1	4/2015	Kamen et al.	
2005/0029023	A1	2/2005	Takami		2015/0123453	A1	5/2015	Benoit, Jr.	
2005/0121866	A1	6/2005	Kamen		2015/0198440	A1	7/2015	Pearlman	
2005/0134014	A1	6/2005	Xie		2015/0231891	A1	8/2015	Yashiro et al.	
2005/0211477	A1	9/2005	Gray		2015/0245962	A1	9/2015	Furuta	
2005/0236208	A1	10/2005	Runkles		2015/0246703	A1	9/2015	Oishi et al.	
2005/0236894	A1	10/2005	Lu		2015/0289653	A1	10/2015	Hector et al.	
2006/0108956	A1	5/2006	Clark		2016/0014252	A1	1/2016	Biderman et al.	
2006/0163437	A1*	7/2006	Lin	A61G 5/045 248/291.1	2016/0035161	A1	2/2016	Friedli et al.	
					2016/0264019	A1	9/2016	Drako	
2006/0202439	A1	9/2006	Kahlert		2017/0176188	A1	6/2017	Georgy	
2006/0231313	A1	10/2006	Ishii		2017/0240169	A1	8/2017	Coulter et al.	
2006/0279554	A1	12/2006	Shin		2017/0259811	A1	9/2017	Coulter et al.	
2007/0001830	A1	1/2007	Dagci		2017/0300058	A1	10/2017	Peret et al.	
2007/0100511	A1*	5/2007	Koerlin	A61F 4/00 701/1	2018/0056985	A1	3/2018	Coulter et al.	
					2018/0102227	A1*	4/2018	Poon	H01H 23/06
2007/0213900	A1	9/2007	Raab		2018/0164829	A1	6/2018	Oshima	
2007/0221423	A1*	9/2007	Chang	A61G 5/045 180/68.5	2018/0203522	A1	7/2018	Stucki	
2007/0296170	A1	12/2007	Field						
2008/0029985	A1	2/2008	Chen						
2008/0147281	A1	6/2008	Ishii						
2008/0149798	A1	6/2008	Tinoco						
2008/0174415	A1	7/2008	Tanida						
2008/0197599	A1	8/2008	Comstock						
2008/0238005	A1	10/2008	James						
2008/0302938	A1*	12/2008	Goodwin	A61G 5/10 248/288.51					
2009/0009984	A1	1/2009	Mangiardi						
2009/0032323	A1	2/2009	Kakinuma						
2009/0078485	A1	3/2009	Gutsch						
2009/0105908	A1	4/2009	Casey						
2009/0115149	A1	5/2009	Wallis						
2009/0224524	A1	9/2009	Rathsack						
2010/0025139	A1	2/2010	Kosaka						
2010/0107076	A1	4/2010	Grohman						
2010/0114468	A1	5/2010	Field						
2010/0121538	A1	5/2010	Ishii						
2010/0126787	A1	5/2010	Kawada						
2010/0222994	A1	9/2010	Field						
2010/0230919	A1	9/2010	Kawada						
2010/0235028	A1	9/2010	Ishii						
2010/0237645	A1	9/2010	Trainer						
2010/0250040	A1	9/2010	Yamano						
2011/0035101	A1	2/2011	Kawada et al.						
2011/0209929	A1	9/2011	Heinzmann						
2011/0215540	A1	9/2011	Hunziker et al.						

* cited by examiner

Primary Examiner — Selina Sikder
(74) *Attorney, Agent, or Firm* — Kathleen Chapman

(57) CLAIM

The ornamental design of the set of toggles, as shown and described.

DESCRIPTION

FIG. 1 is a front, top, right side perspective view of the set of toggles, showing our new design; FIG. 2 is a top plan view thereof; FIG. 3 is a bottom plan view thereof; FIG. 4 is a left side elevational view thereof; FIG. 5 is a right side elevational view thereof; FIG. 6 is a rear side elevational view thereof; and, FIG. 7 is a front side elevational view thereof. The broken lines in the drawings depict portions of the set of toggles that form no part of the claimed design.

1 Claim, 5 Drawing Sheets

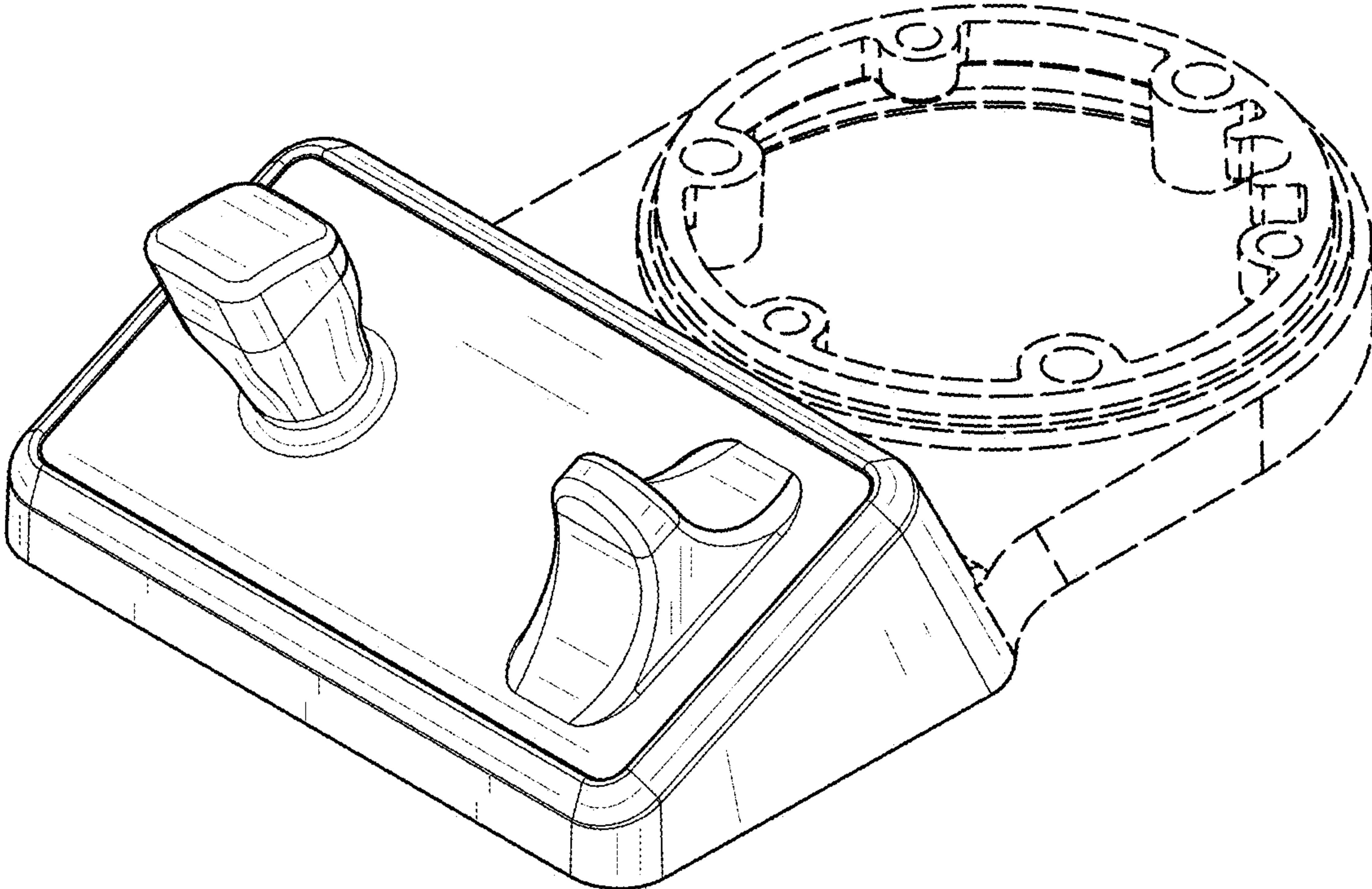


FIG. 1

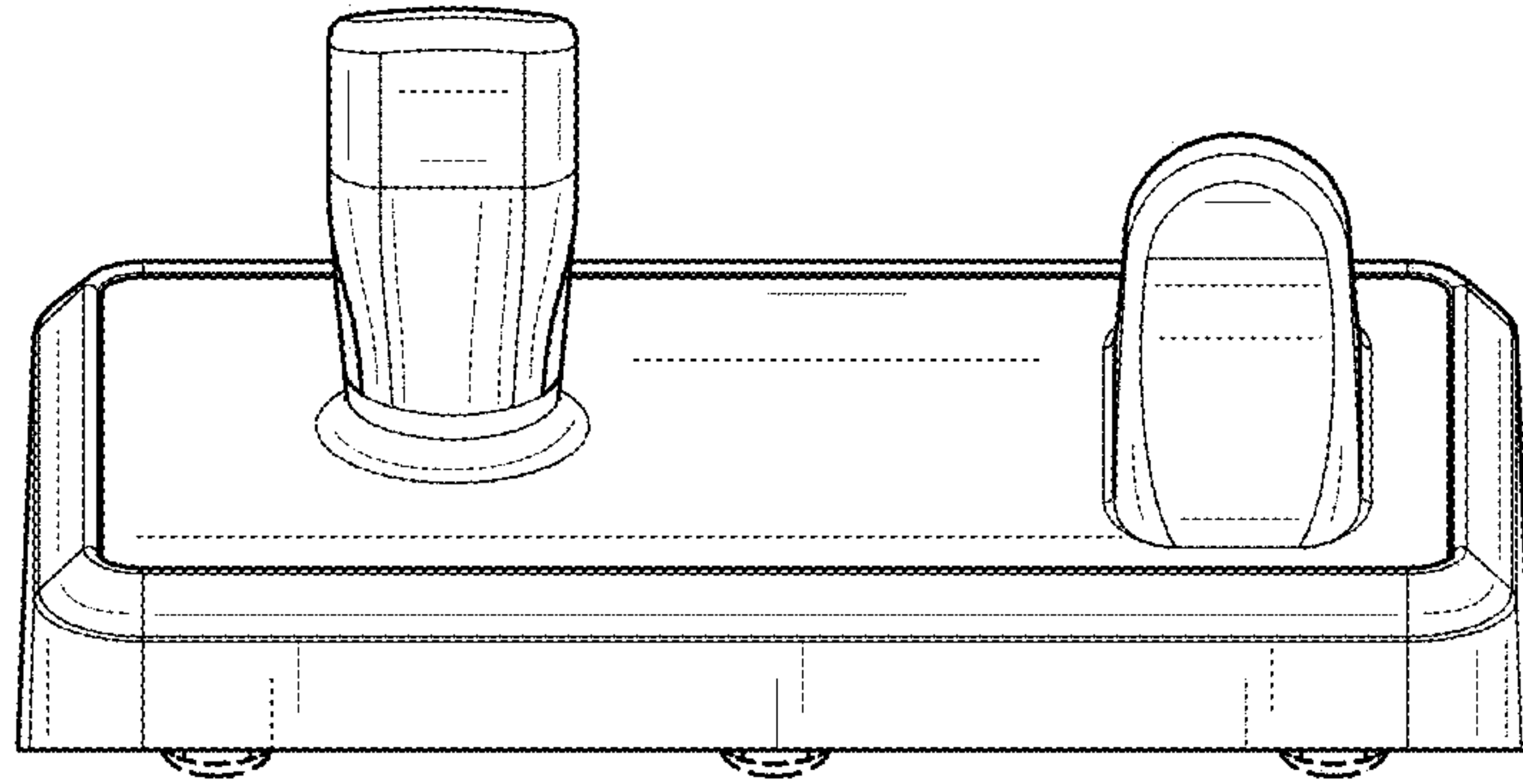


FIG. 2

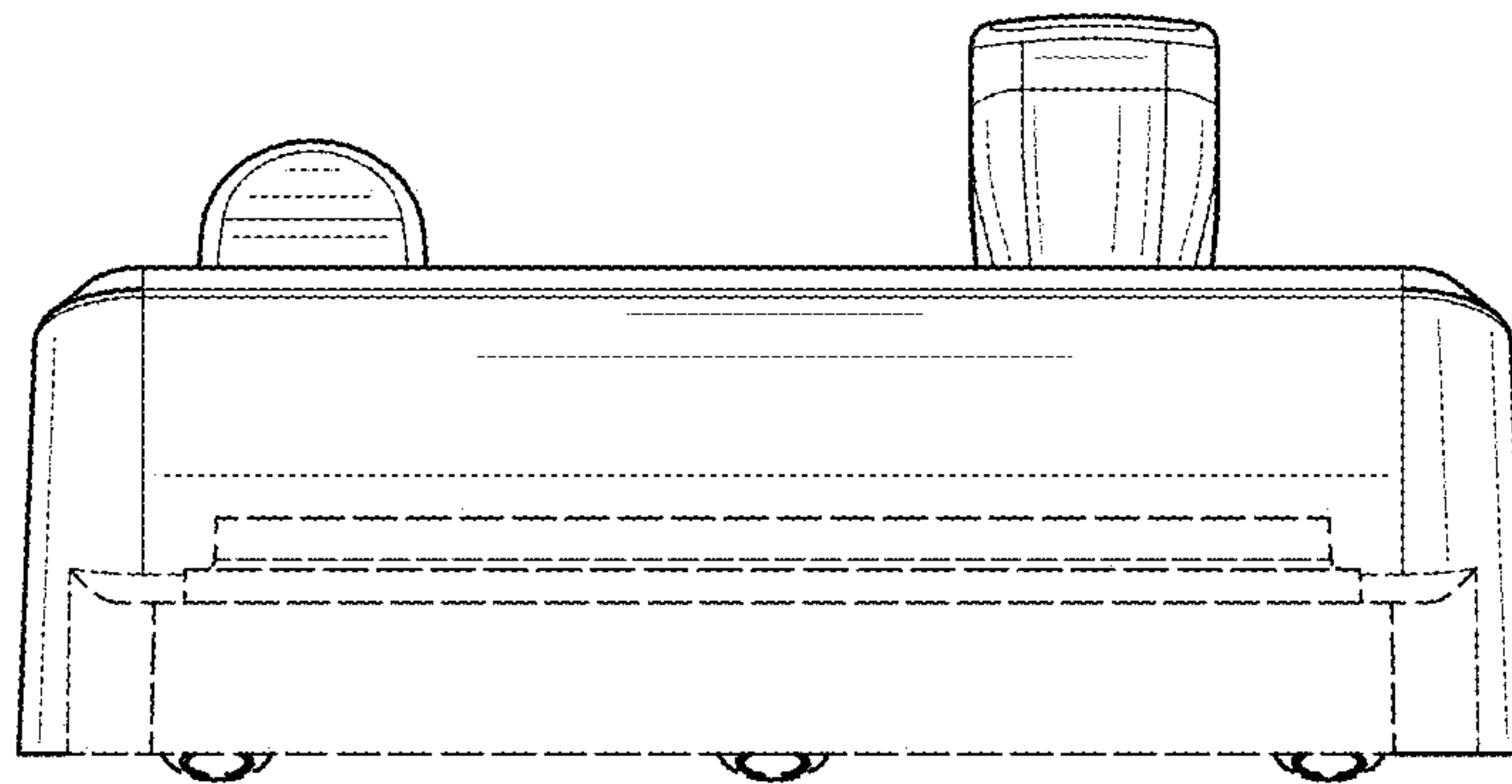


FIG. 3

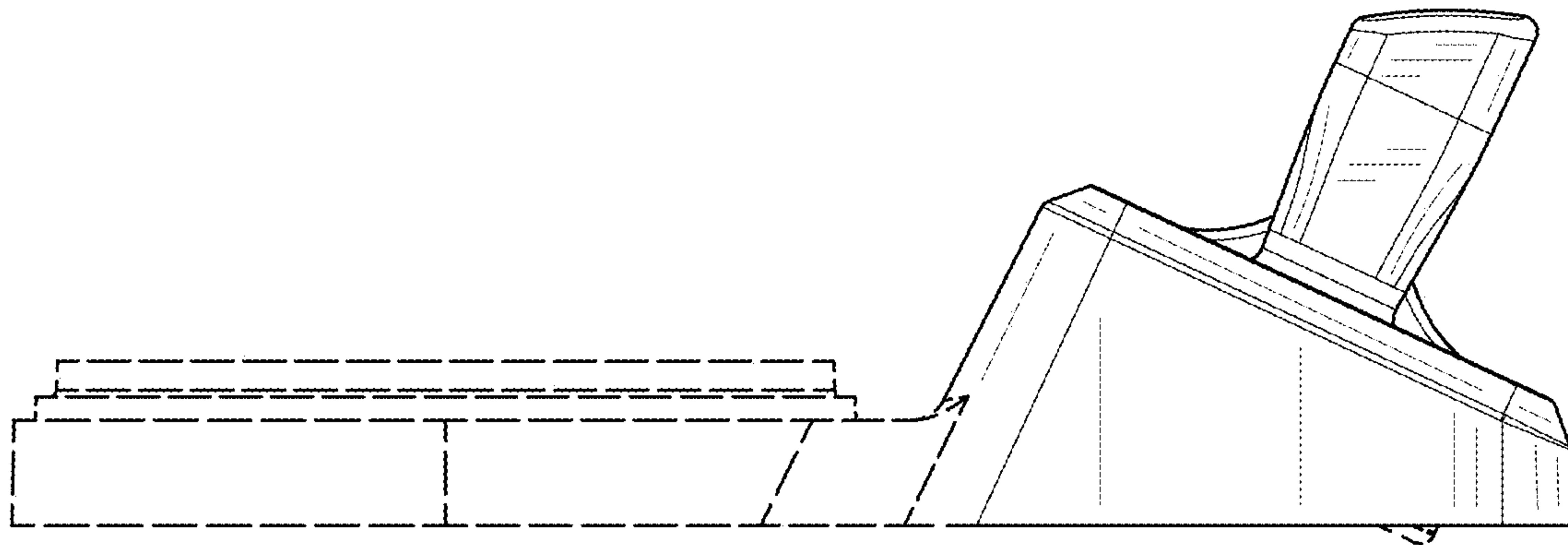


FIG. 4

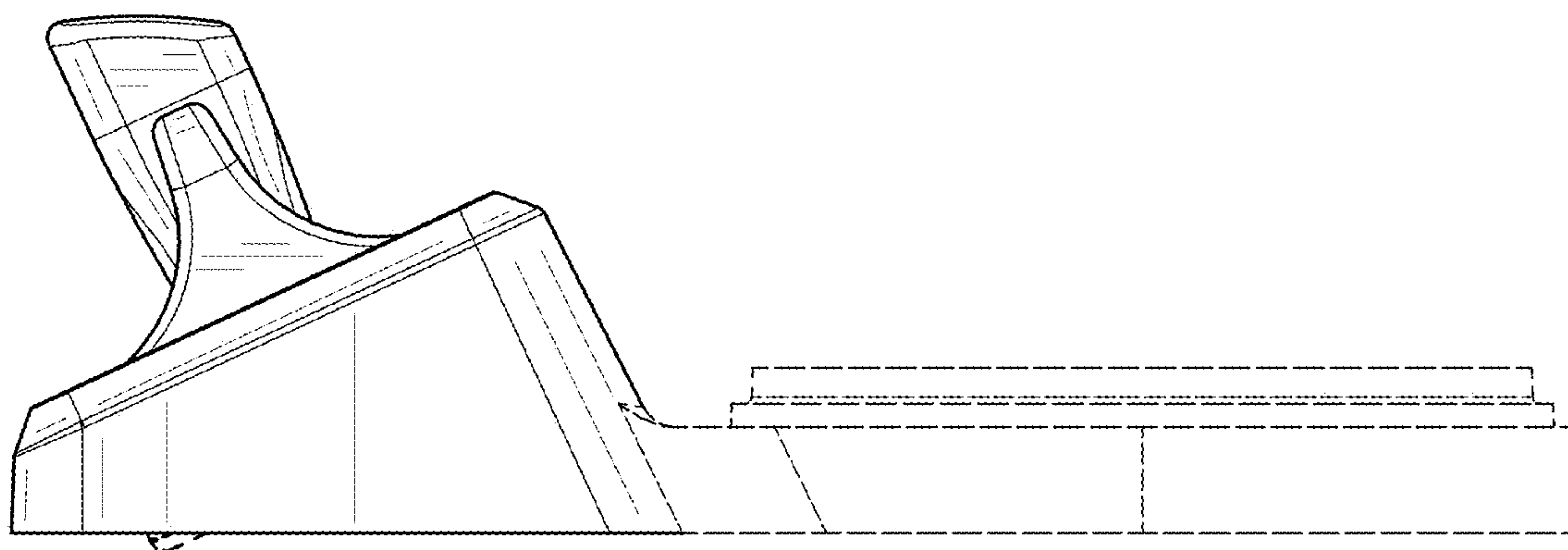


FIG. 5

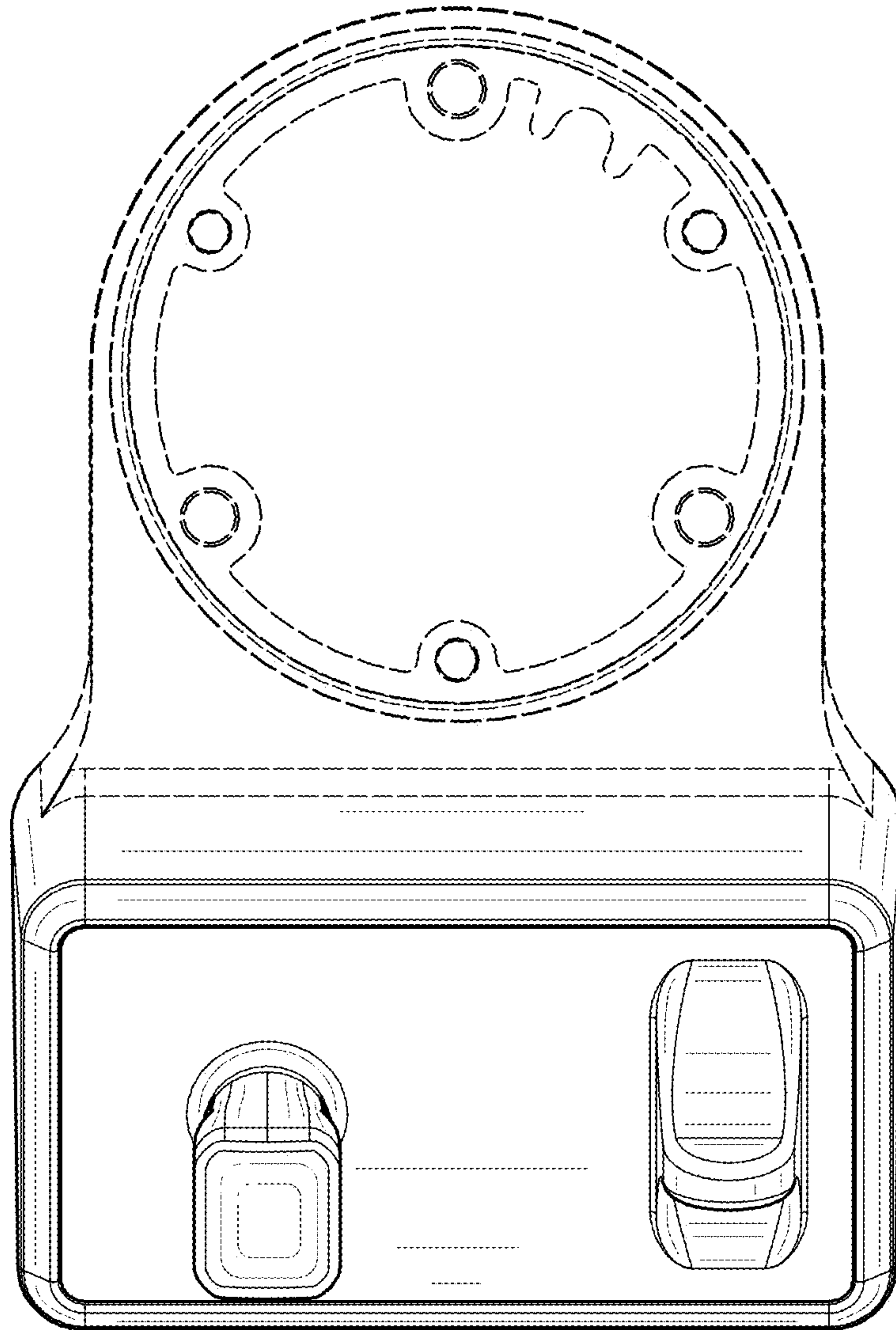


FIG. 6

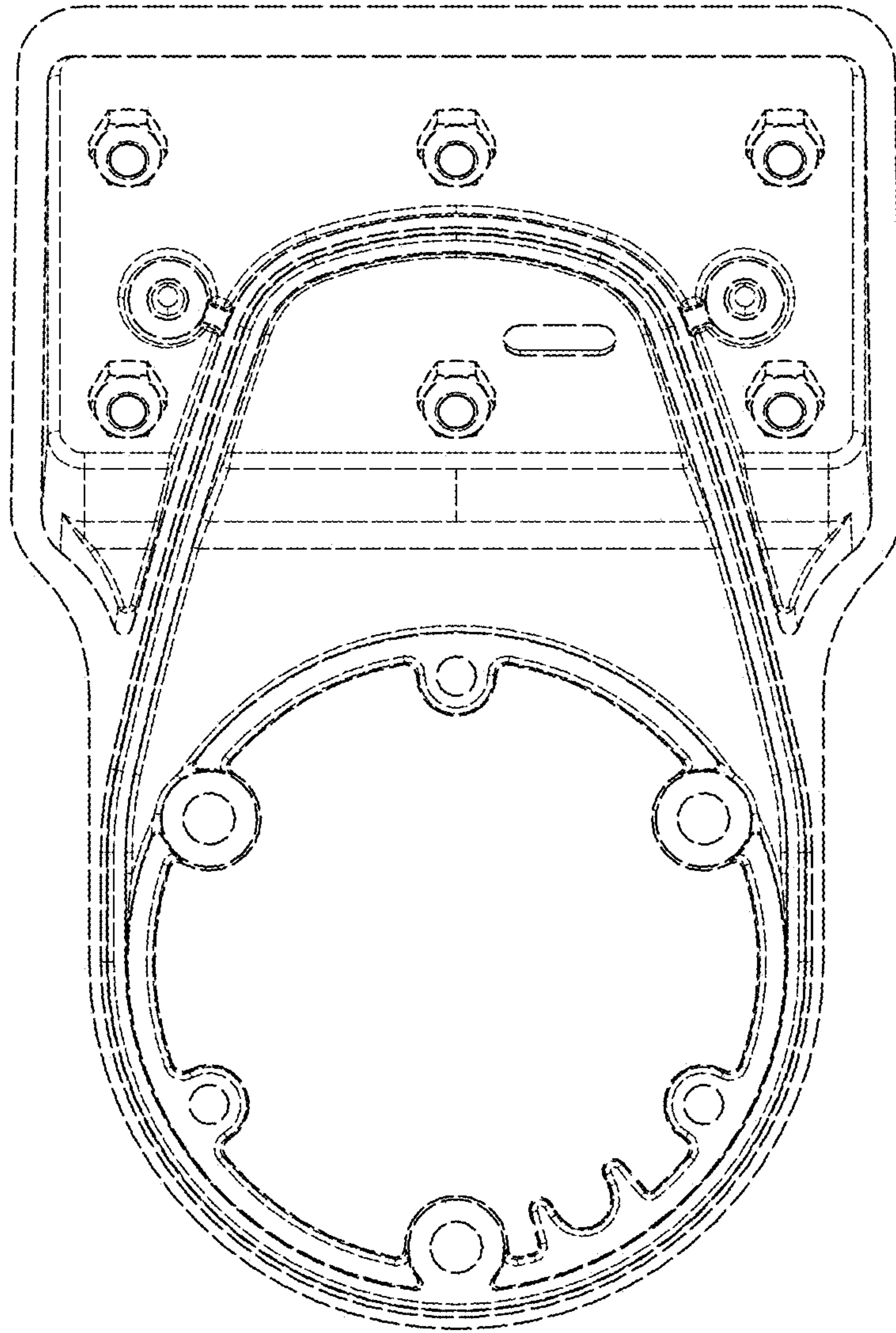


FIG. 7