



US00D915247S

(12) **United States Design Patent**
Haley et al.

(10) **Patent No.:** **US D915,247 S**

(45) **Date of Patent:** **** *Apr. 6, 2021**

(54) **STROLLER**

(71) Applicant: **Baby Jogger, LLC**, Atlanta, GA (US)

(72) Inventors: **Timothy R. Haley**, Kalamazoo, MI (US); **Corey R. Barnes**, Grand Rapids, MI (US); **Sharon L. Griffiths**, Reading, PA (US)

(73) Assignee: **Baby Jogger, LLC**, Atlanta, GA (US)

(*) Notice: This patent is subject to a terminal disclaimer.

(**) Term: **15 Years**

(21) Appl. No.: **29/654,487**

(22) Filed: **Jun. 25, 2018**

(51) **LOC (13) Cl.** **12-12**

(52) **U.S. Cl.**
USPC **D12/129**

(58) **Field of Classification Search**
USPC D12/128-133
CPC B62B 7/00-04; B62B 9/00-28
See application file for complete search history.

(56) **References Cited**

U.S. PATENT DOCUMENTS

D444,738 S * 7/2001 Lan D12/129
D519,422 S * 4/2006 Huang D12/129

D571,263 S * 6/2008 Lai D12/129
D578,045 S * 10/2008 Liao D12/129
D715,701 S * 10/2014 Chen D12/129
D723,746 S * 3/2015 Jakubowski D30/109
D724,501 S * 3/2015 Reinius D12/129
D735,621 S * 8/2015 Yi D12/129
D769,158 S * 10/2016 Ruggiero D12/129
D773,343 S * 12/2016 Tsai D12/129
D773,344 S * 12/2016 Tsai D12/129
D776,019 S * 1/2017 Reinius D12/129

* cited by examiner

Primary Examiner — Charles D Hanson

(57) **CLAIM**

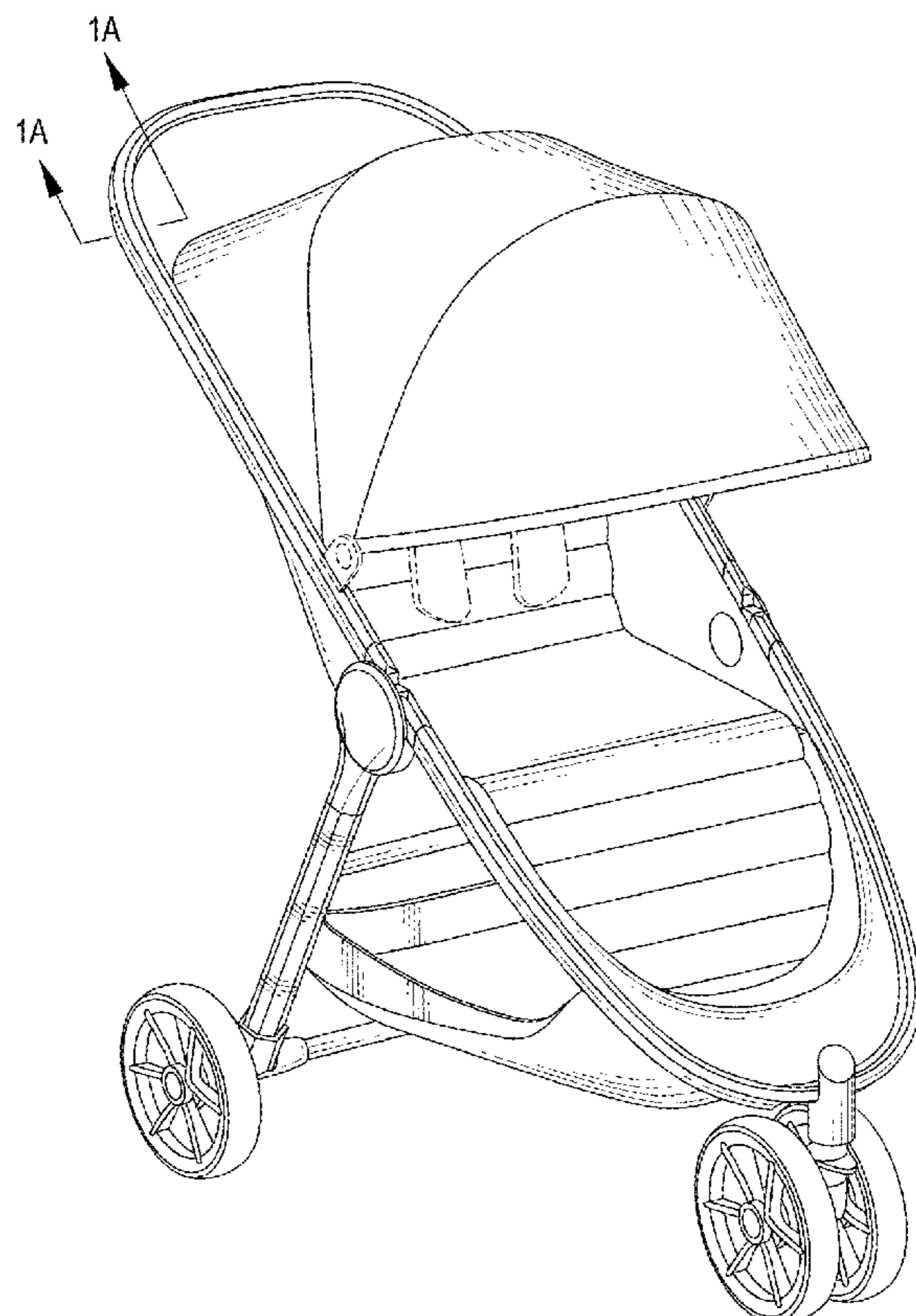
The ornamental design for a stroller, as shown and described.

DESCRIPTION

FIG. 1 is a perspective view of a stroller, showing our new design;
FIG. 1A is a cross-sectional view of the faceted tubing of the stroller, taken along line 1A of FIG. 1;
FIG. 2 is a front view thereof;
FIG. 3 is a back view thereof;
FIG. 4 is a left view thereof;
FIG. 5 is a right view thereof;
FIG. 6 is a top view thereof; and,
FIG. 7 is a bottom view thereof.

The subject matter shown in dashed lines is for illustrative purposes and forms no part of the claimed design.

1 Claim, 4 Drawing Sheets



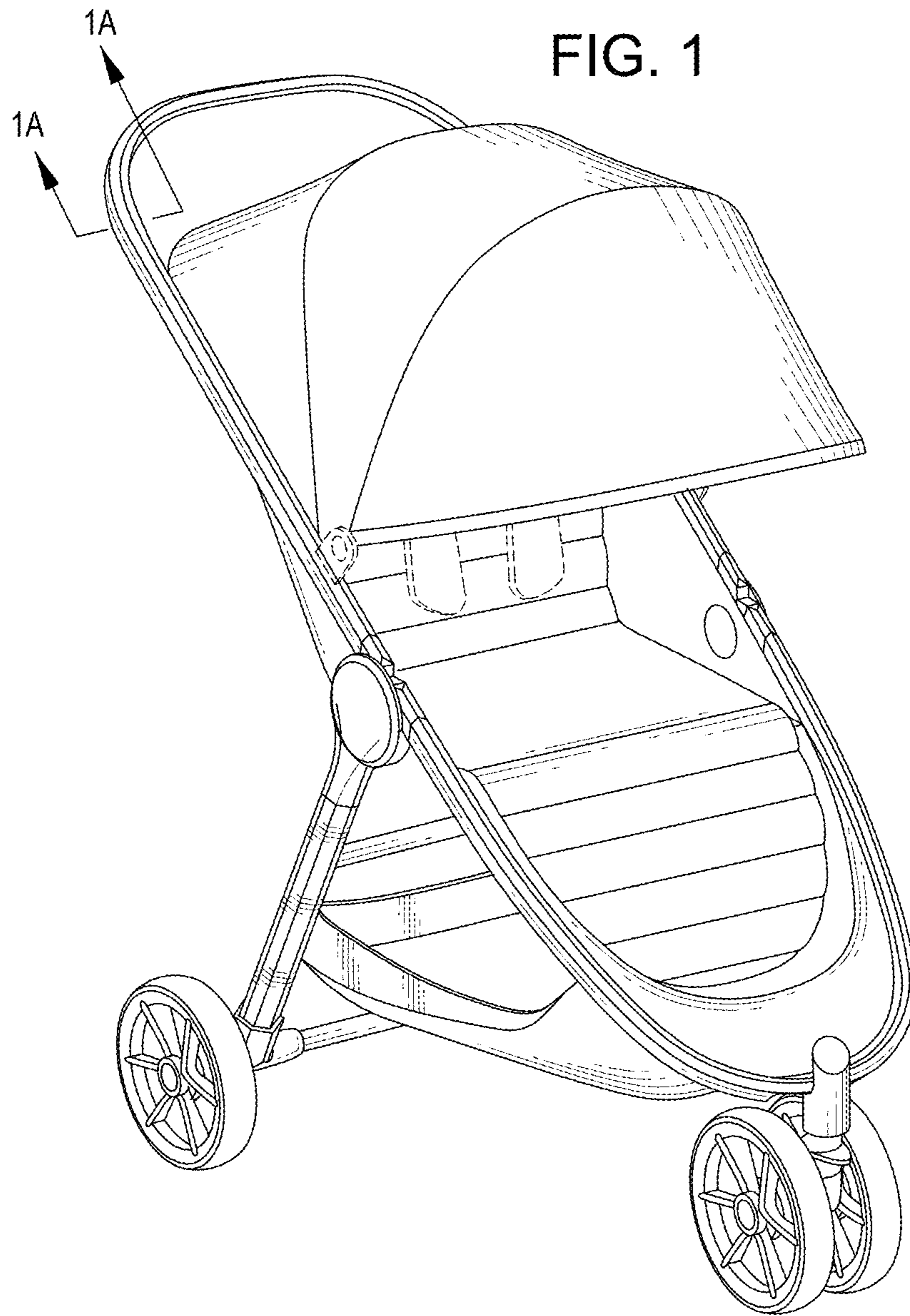


FIG. 1A

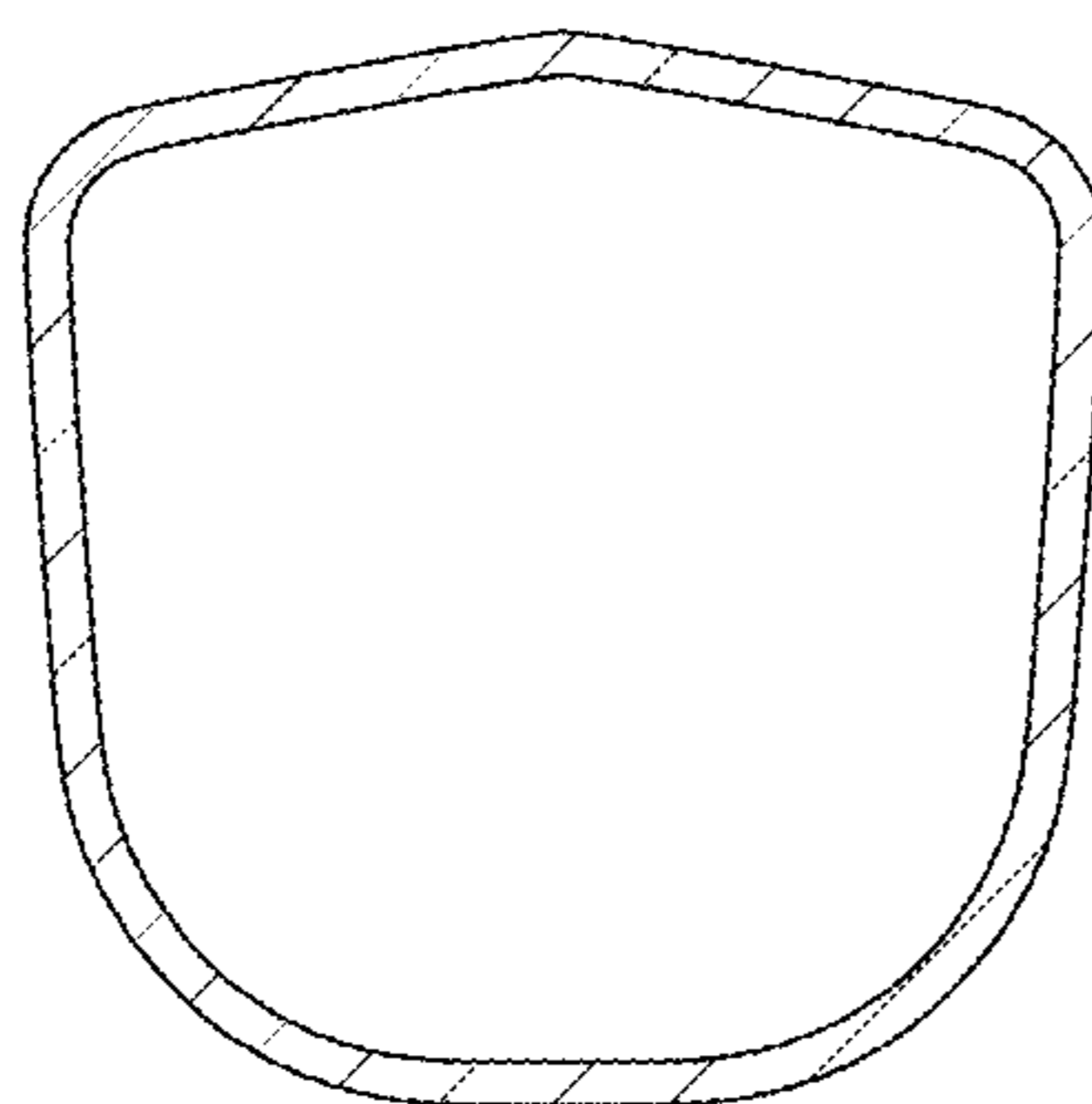


FIG. 3

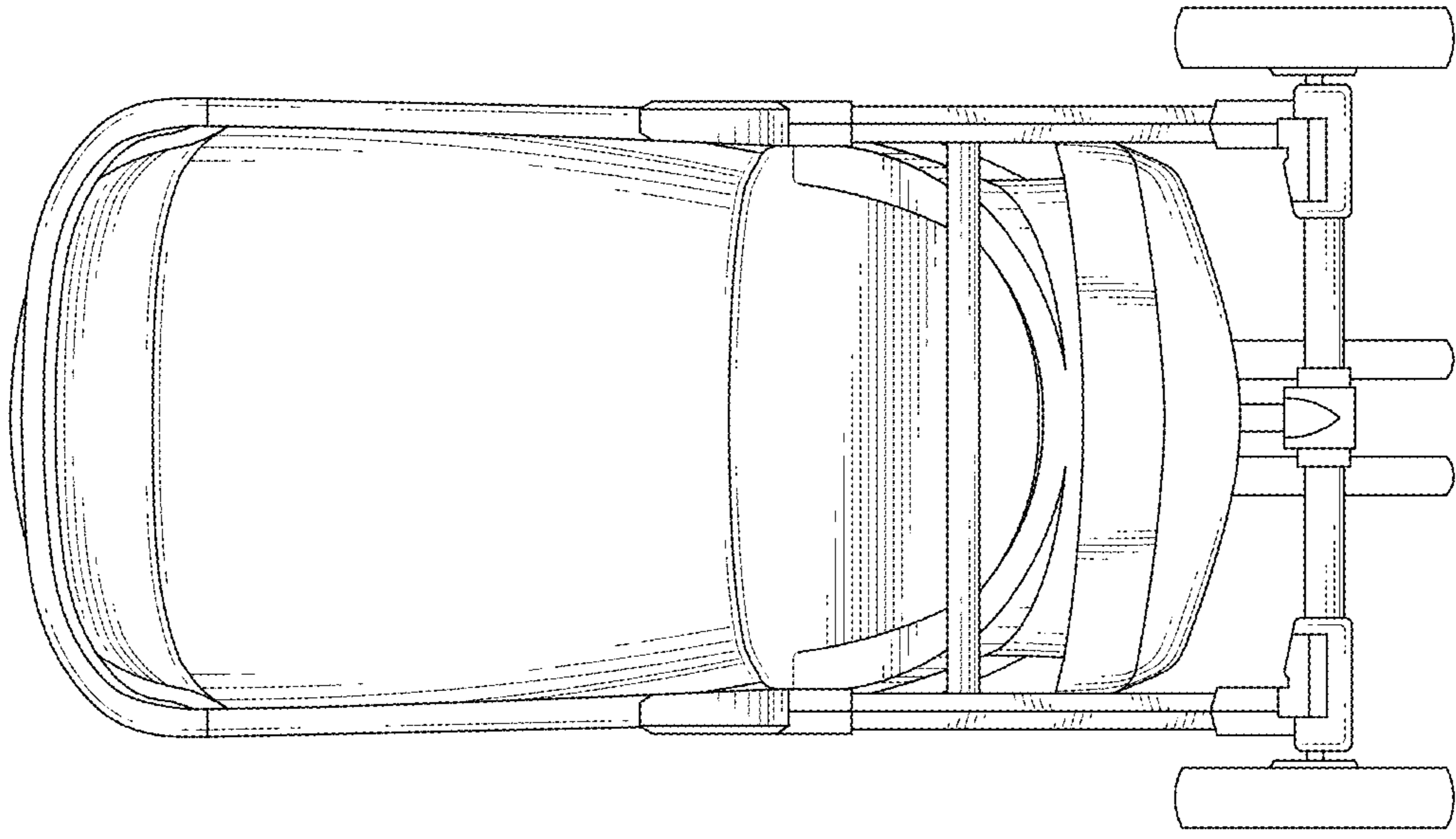


FIG. 2

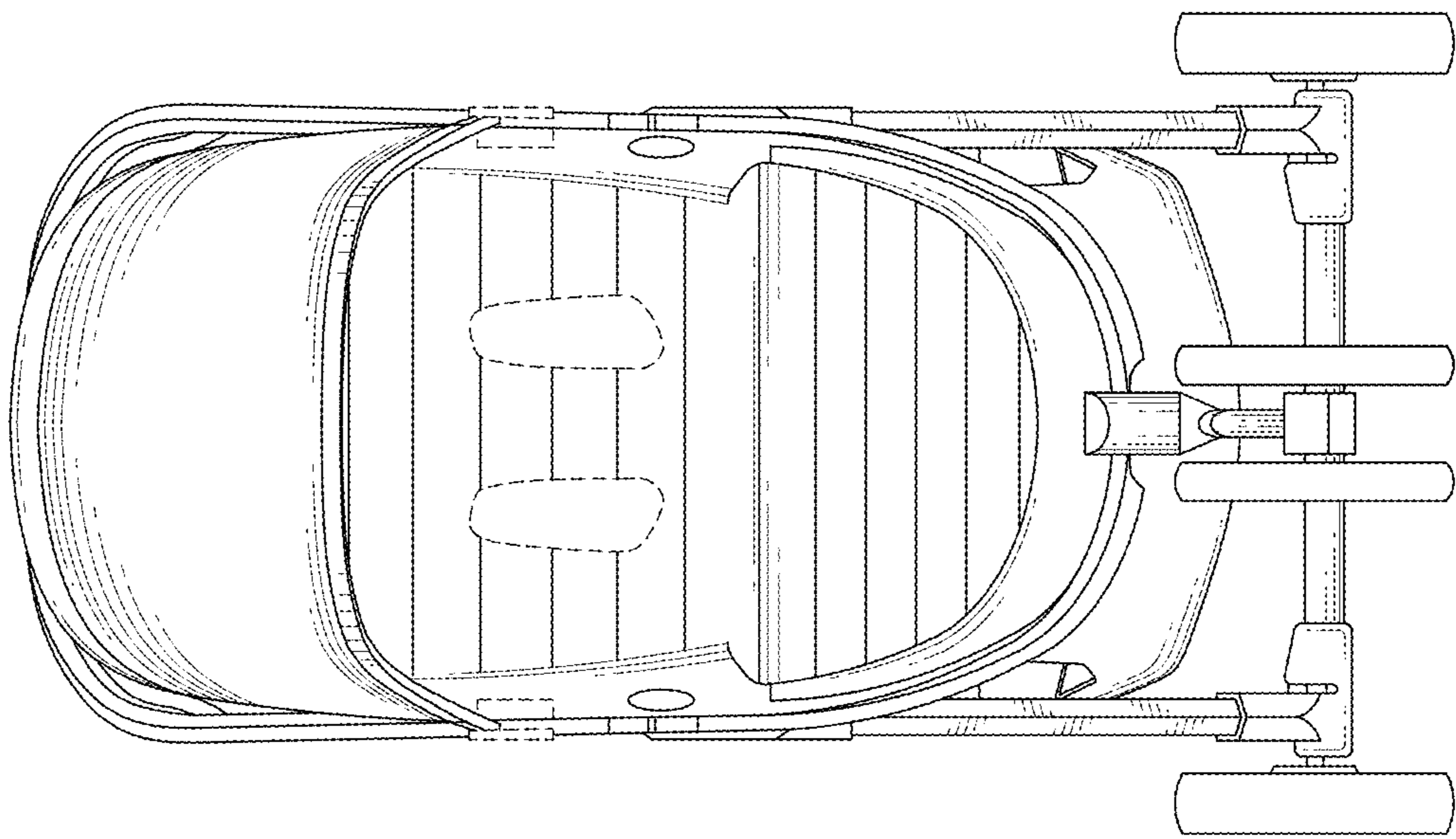


FIG. 5

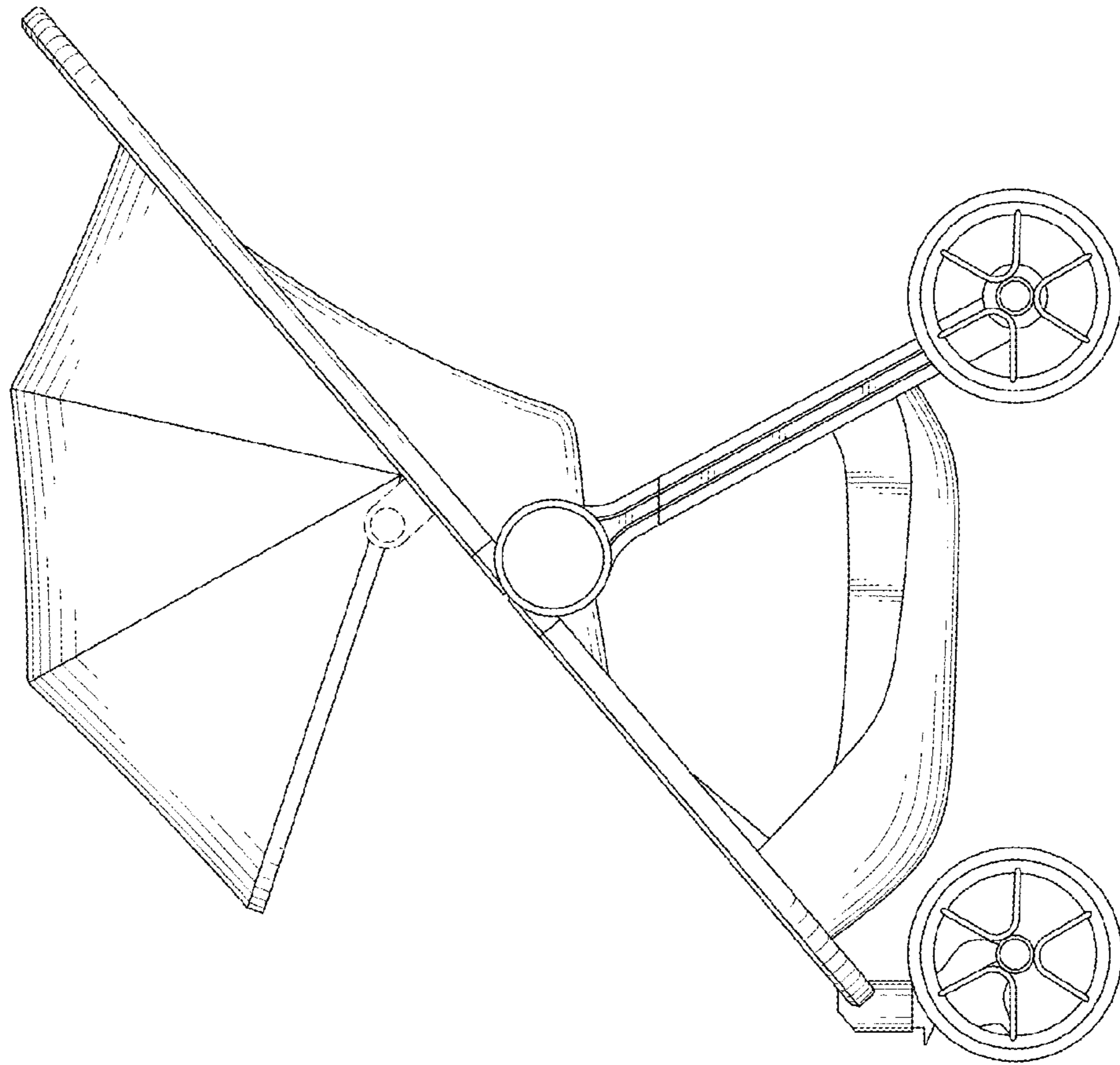


FIG. 4

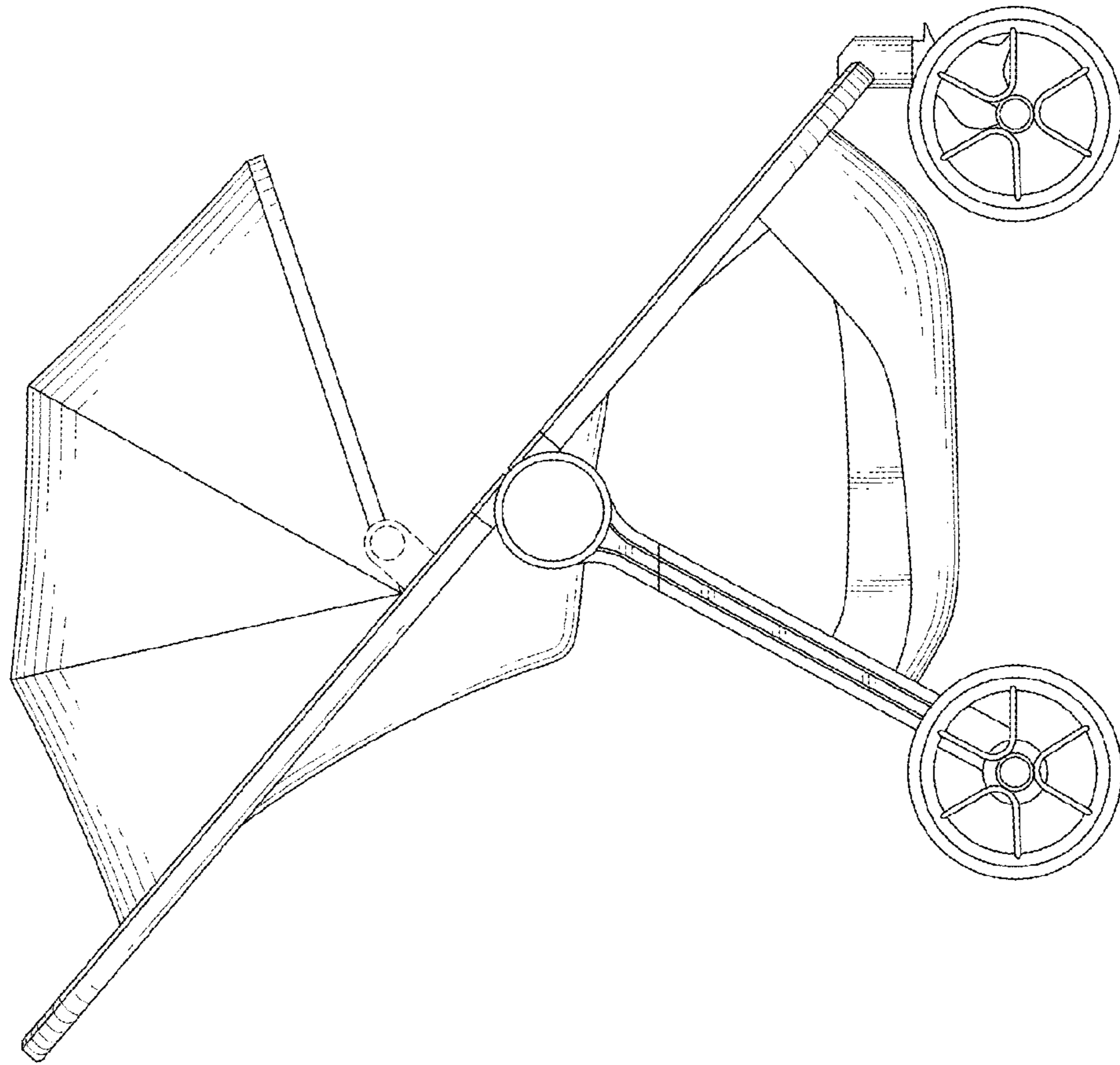


FIG. 6

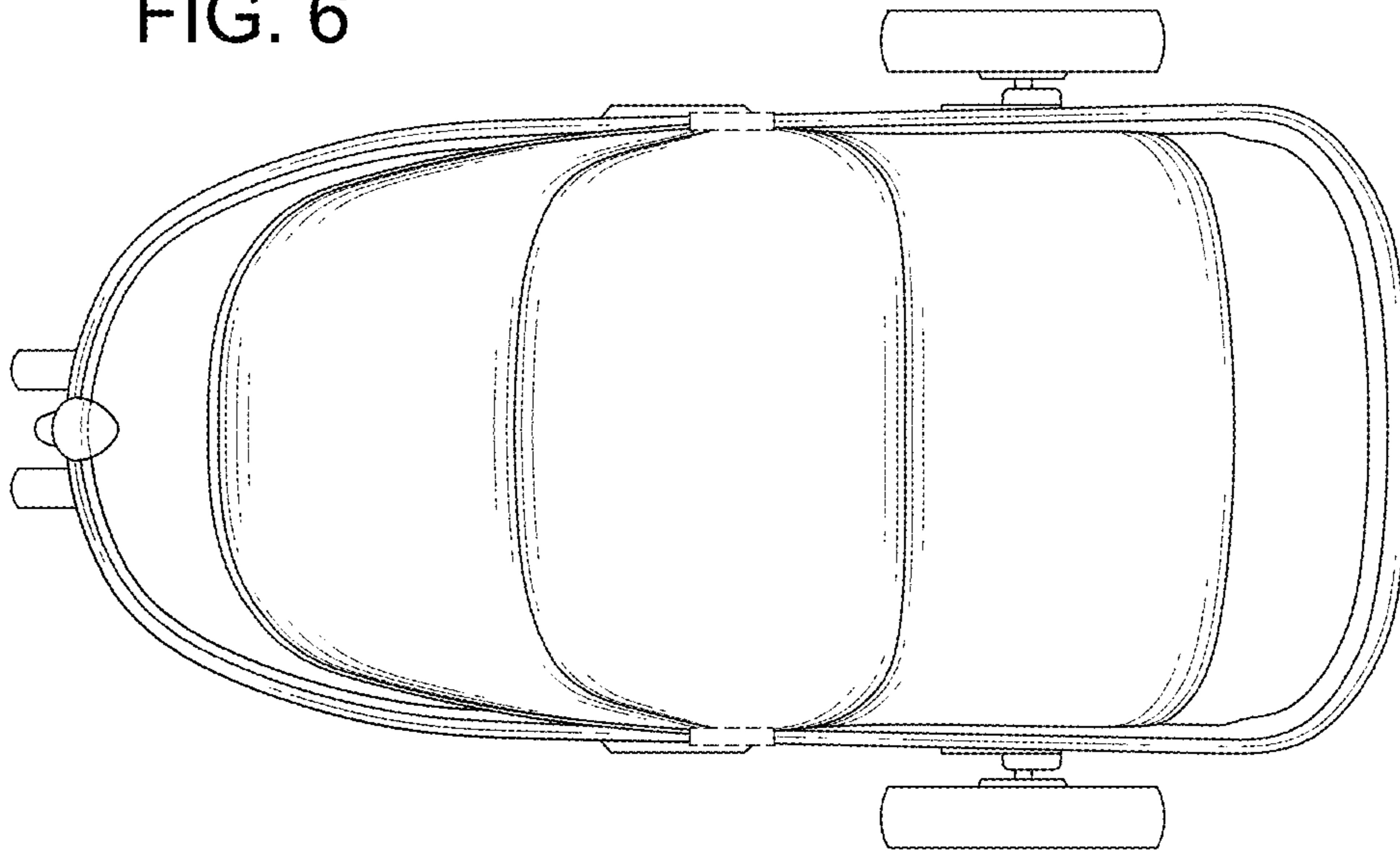


FIG. 7

