



US00D915246S

(12) **United States Design Patent** (10) **Patent No.:** **US D915,246 S**
Tsai (45) **Date of Patent:** **** Apr. 6, 2021**

(54) **PEDAL**
(71) Applicant: **AUTO-STATE INDUSTRIAL CO., LTD.**, Taichung (TW)
(72) Inventor: **Hsieh-Yi Tsai**, Taichung (TW)
(73) Assignee: **AUTO-STATE INDUSTRIAL CO., LTD.**, Taichung (TW)

D284,459 S * 7/1986 Shimizu 74/594.4
D299,222 S * 1/1989 Feamster, III 74/594.4
D299,449 S * 1/1989 Chouan 74/594.4
D301,705 S * 6/1989 Ropp D12/125
D302,260 S * 7/1989 Schieferstein D12/125
D302,668 S * 8/1989 Chouan D12/125
D320,369 S * 10/1991 Feamster, III D12/125
5,259,270 A * 11/1993 Lin B62M 3/086
36/131
5,662,006 A * 9/1997 Angeltun B62M 3/02
74/594.4

(**) Term: **15 Years**

(Continued)

(21) Appl. No.: **29/717,633**

OTHER PUBLICATIONS

(22) Filed: **Dec. 18, 2019**

“Rockbros MTB Pedals Mountain Bike Pedals” Rockbros Store., posted date May 1, 2018 [online], [retrieved on Dec. 30, 2020]. Retrieved from the Internet <URL: <https://www.amazon.com/RockBros-Lightweight-Mountain-Bicycle-Platform/dp/B07CWRZPJ7>> (Year: 2018).*

(51) **LOC (13) Cl.** **12-11**

(52) **U.S. Cl.**
USPC **D12/125**

(58) **Field of Classification Search**
USPC D12/11–114, 125, 180; 280/291;
296/75; 74/560, 594.1, 594.4
CPC .. B62M 3/08; B60T 7/06; B60T 7/065; B60R
21/09; Y10T 74/2168
See application file for complete search history.

(Continued)

Primary Examiner — Darlington Ly
Assistant Examiner — Nasim Abdulaziz Ali
(74) *Attorney, Agent, or Firm* — MLO, a professional corp.

(56) **References Cited**

U.S. PATENT DOCUMENTS

527,349 A * 10/1894 Scognamillo et al.
B62M 3/086
74/594.6
629,945 A * 8/1899 Yerby et al. B62M 3/08
74/594.5
1,977,235 A * 10/1934 Lofquist B62M 3/08
74/594.4
2,069,454 A * 2/1937 Lofquist B62M 3/08
74/594.4
2,641,249 A * 6/1953 Brockman A63B 22/0046
601/36
3,960,027 A * 6/1976 Magnuson B62M 3/083
74/594.6
4,004,468 A * 1/1977 Durham B62M 3/08
74/594.4
D280,192 S * 8/1985 Watanabe 74/594.4

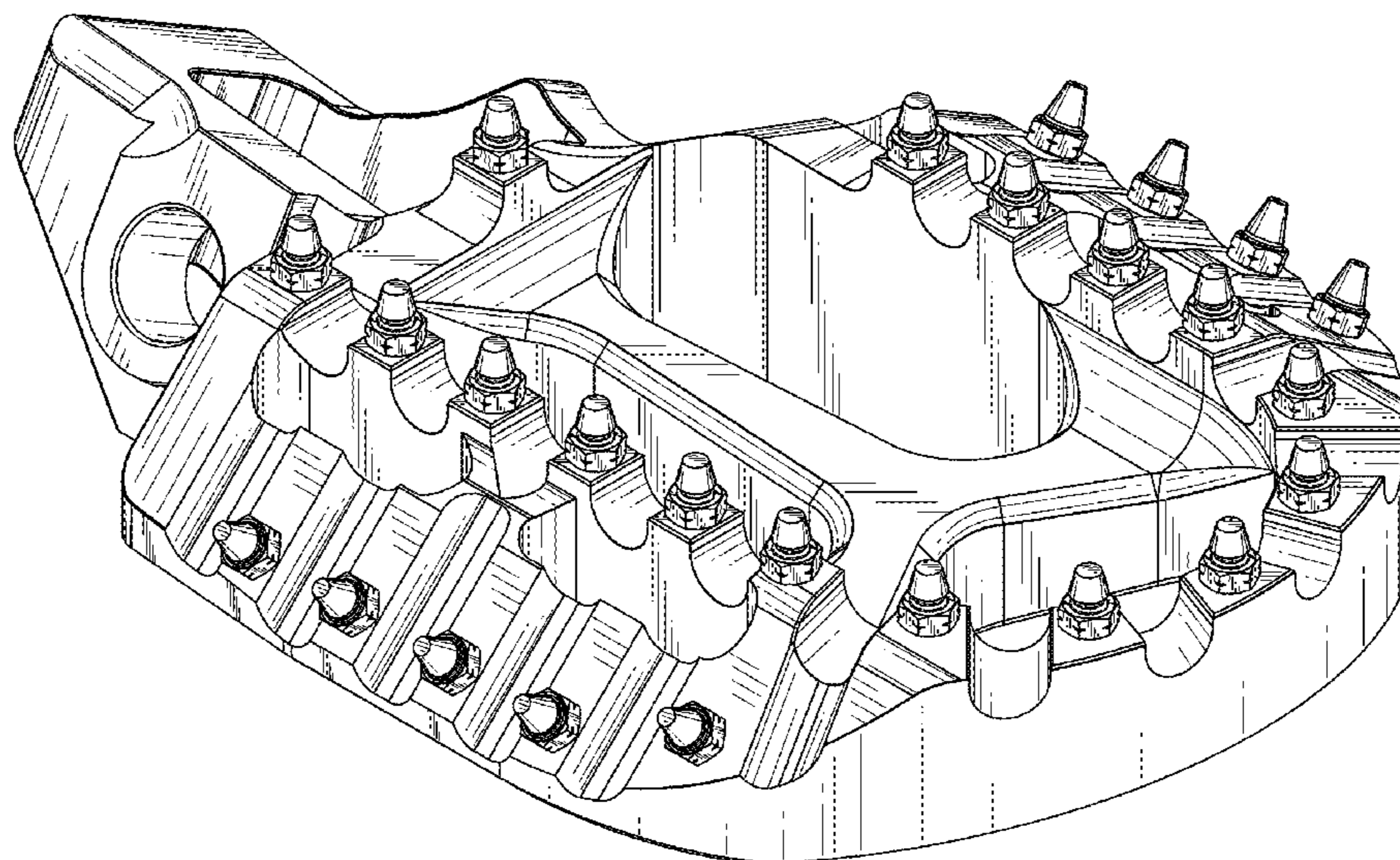
(57) **CLAIM**

The ornamental design for a pedal, as shown and described.

DESCRIPTION

FIG. 1 is a front perspective view of a pedal showing my new design;
FIG. 2 is a front elevational view thereof;
FIG. 3 is a rear elevational view thereof;
FIG. 4 is a left side elevational view thereof;
FIG. 5 is a right side elevational view thereof;
FIG. 6 is a top plan view thereof;
FIG. 7 is a bottom plan view thereof; and,
FIG. 8 is a rear perspective view thereof.

1 Claim, 8 Drawing Sheets



(56)

References Cited

U.S. PATENT DOCUMENTS

D387,706 S * 12/1997 Hanamura D12/125
 D414,723 S * 10/1999 Hanamura D12/125
 D432,463 S * 10/2000 Hanamura D12/125
 6,128,973 A * 10/2000 Nagano B62M 3/086
 403/24
 D486,426 S * 2/2004 Lin D12/125
 D524,195 S * 7/2006 Neal D12/125
 D667,348 S * 9/2012 Canfield D12/125
 D687,743 S * 8/2013 Lin D12/125
 8,714,052 B2 * 5/2014 Chamberlain B62M 3/08
 74/594.4
 D739,313 S * 9/2015 Chen D12/125
 D758,255 S * 6/2016 Tsai D12/125
 D779,387 S * 2/2017 Wilson D12/125
 D839,790 S * 2/2019 Henne D12/125
 D870,602 S * 12/2019 Talios D12/125
 D880,373 S * 4/2020 Rupp D12/125
 D905,757 S * 12/2020 Domke D15/4
 2006/0048599 A1 * 3/2006 Wald B62M 3/083
 74/594.6
 2006/0266154 A1 * 11/2006 Hermansen B62M 3/08
 74/594.4

2008/0011121 A1 * 1/2008 Topfer B62M 3/08
 74/594.6
 2009/0095123 A1 * 4/2009 Weagle B62M 3/08
 74/560
 2009/0241725 A1 * 10/2009 Chen B62M 3/08
 74/594.4
 2009/0260477 A1 * 10/2009 Railing B62M 3/086
 74/594.6
 2010/0064846 A1 * 3/2010 Tsai B62M 3/08
 74/594.4
 2013/0091983 A1 * 4/2013 Scheiman B62M 3/086
 74/594.6
 2016/0304154 A1 * 10/2016 Wilson B62M 3/08

OTHER PUBLICATIONS

“Shimano PD-EH500 Multi-Purpose Bike Pedals” Bicycle Warehouse., posted date May 30, 2018 [online], [retrieved on Dec. 30, 2020]. Retrieved from the Internet <URL: <https://bicyclewarehouse.com/products/shimano-pd-eh500-multi-purpose-pedals>> (Year: 2018).*
 “Shimano Deore XT PD-T8000 pedal” Cyclist.co.uk., posted date Jan. 3, 2019 [online], [retrieved on Dec. 30, 2020]. Retrieved from the Internet <URL: <https://www.cyclist.co.uk/reviews/5800/shimano-deore-xt-pd-t8000-pedal-review>> (Year: 2019).*

* cited by examiner

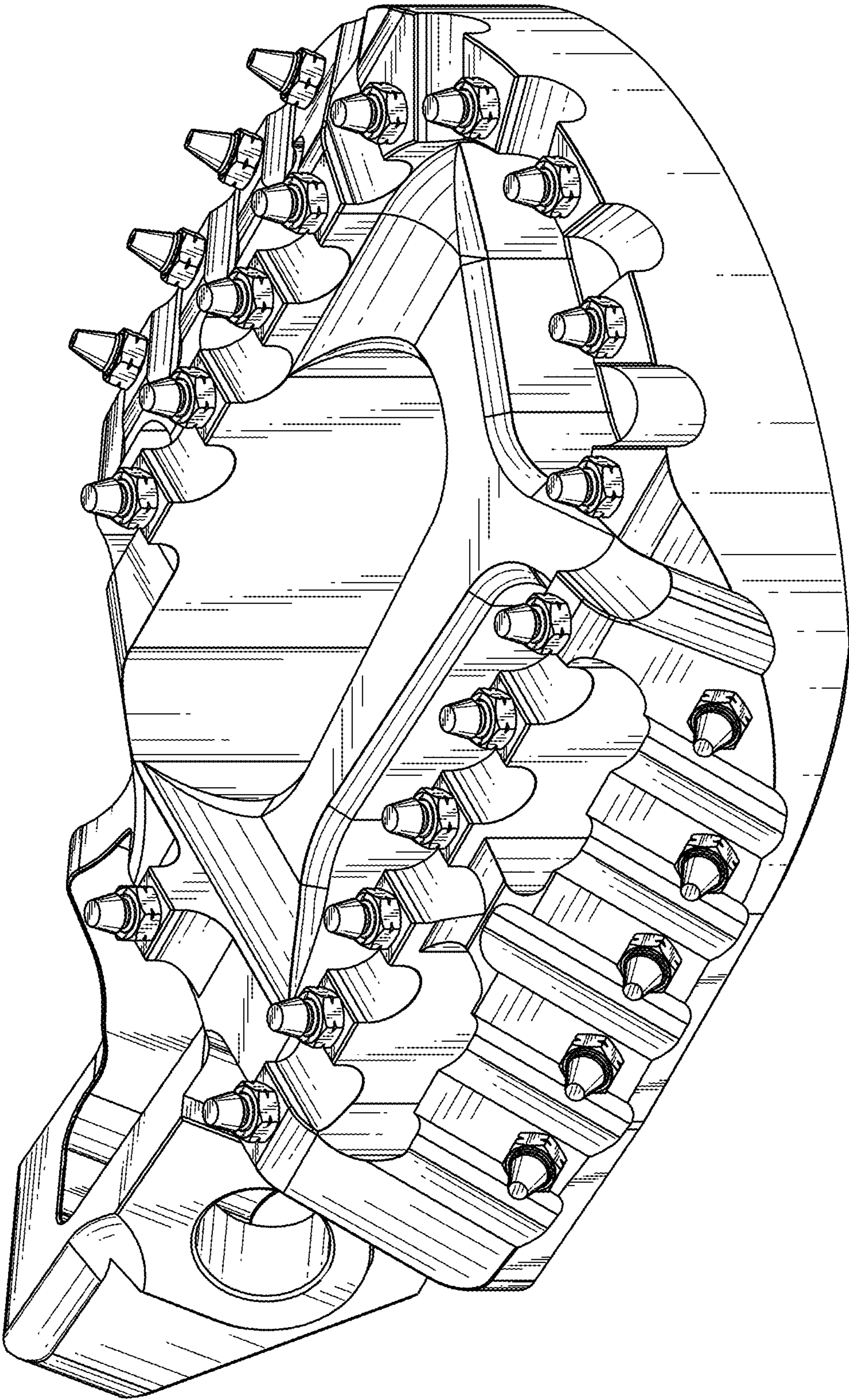


FIG.1

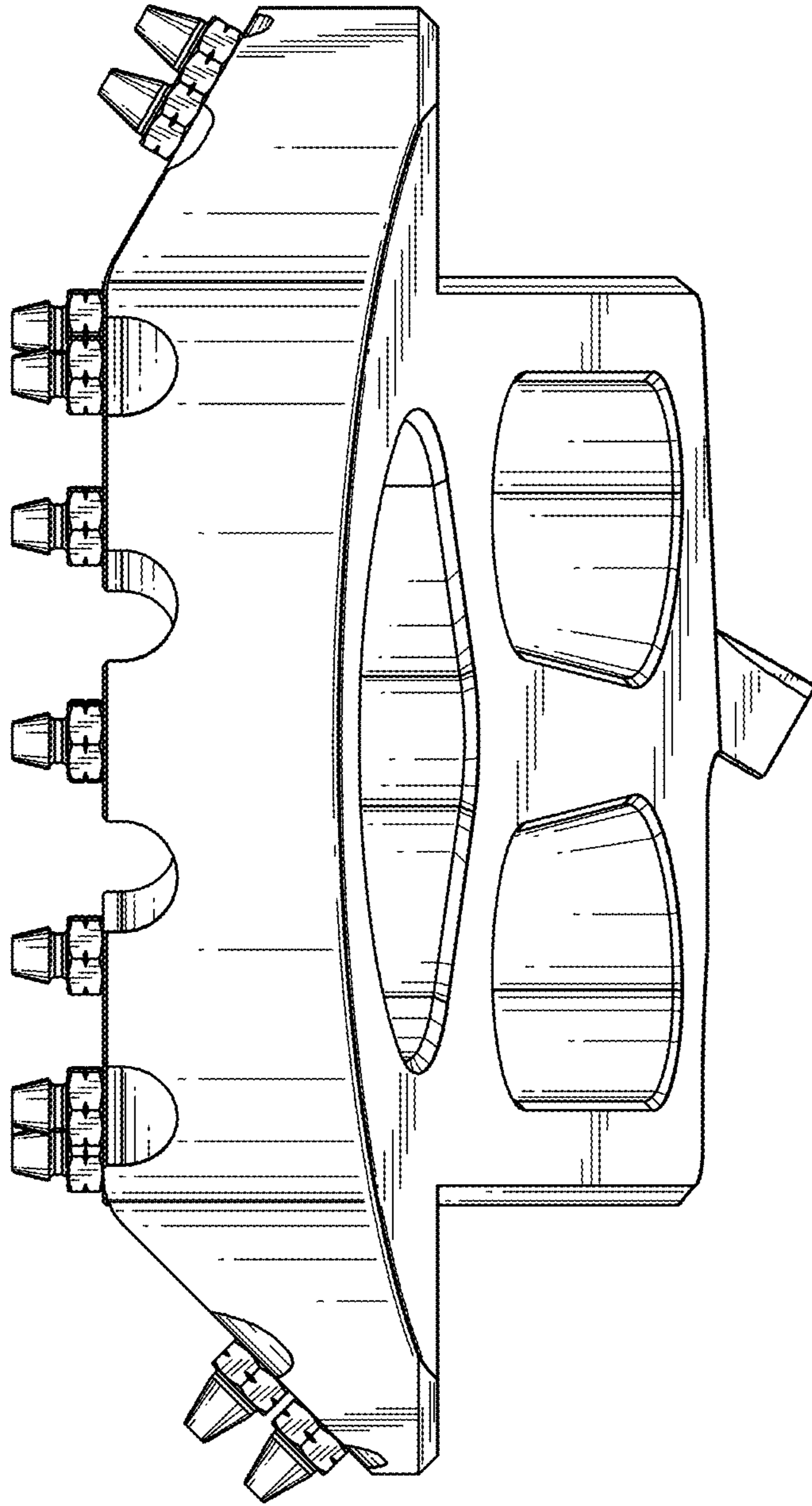


FIG.2

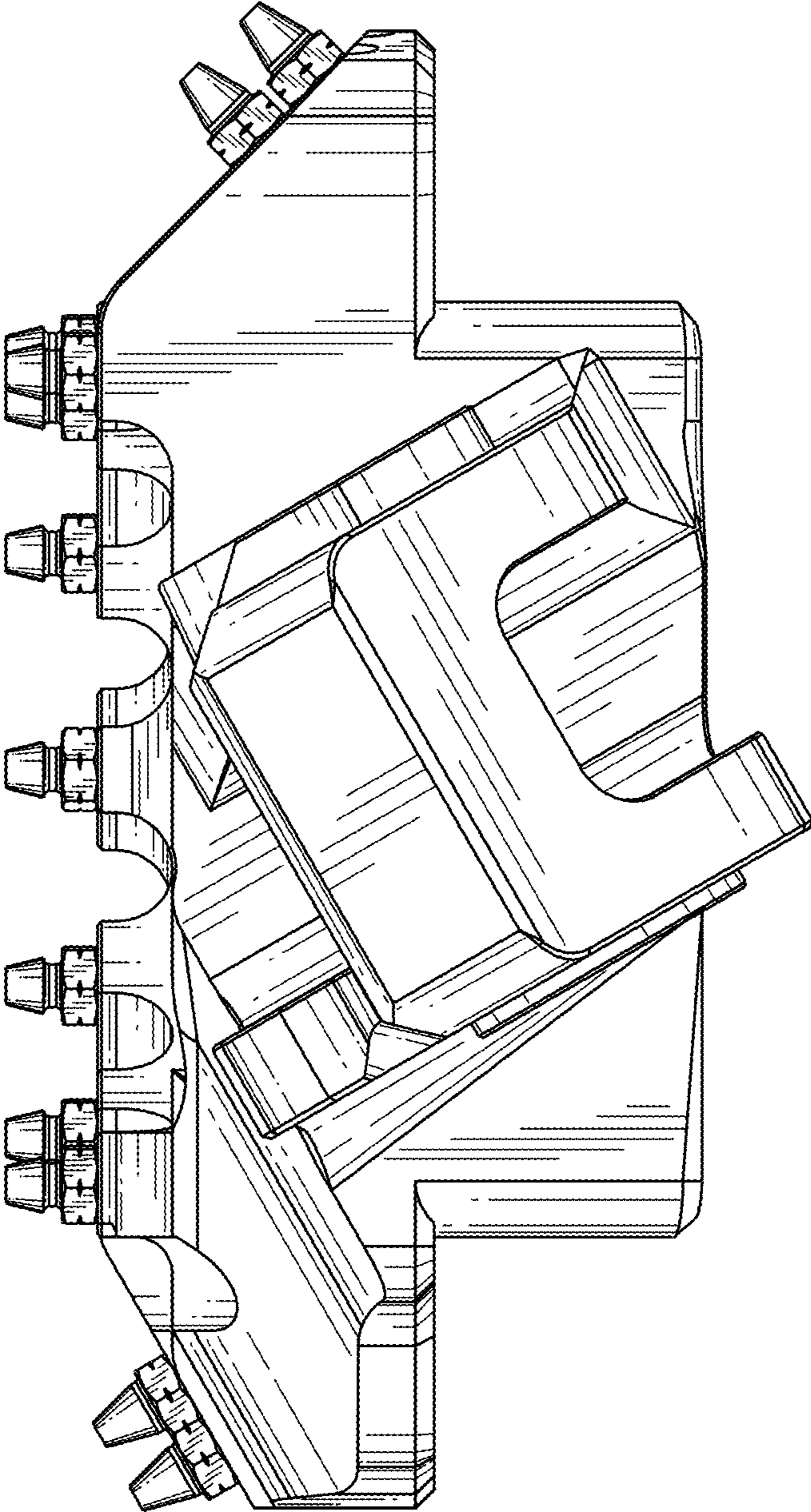


FIG.3

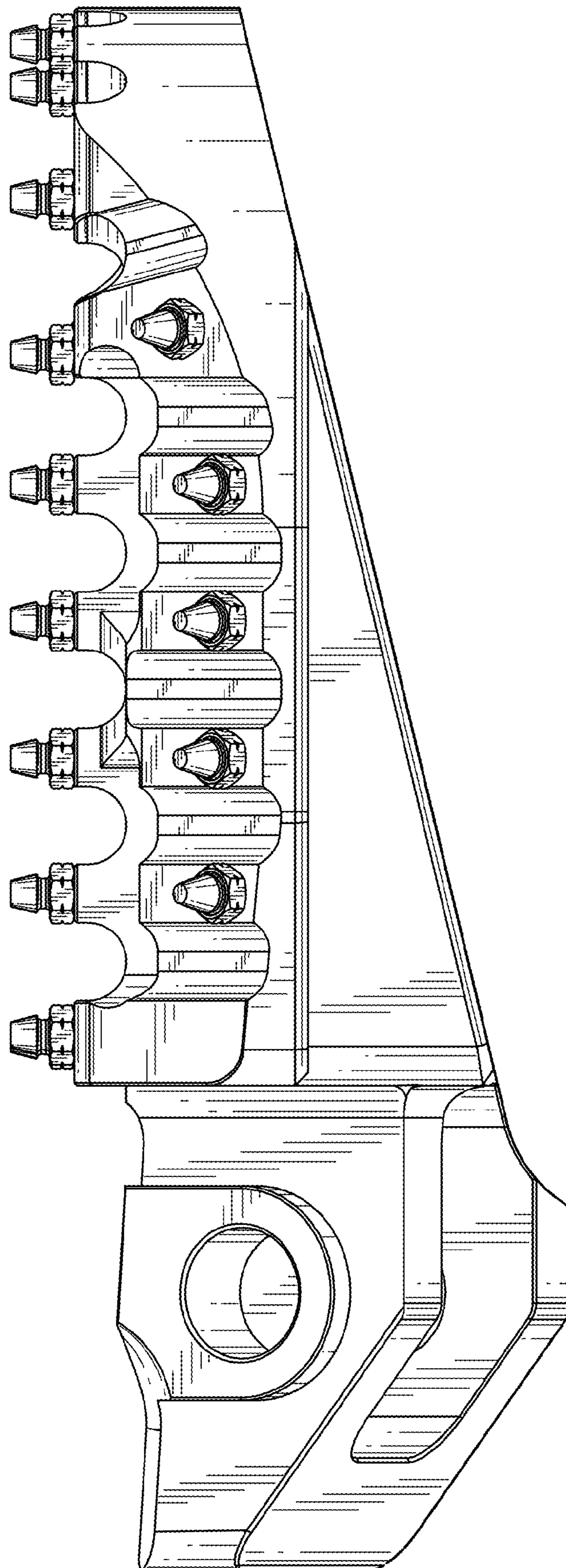


FIG.4

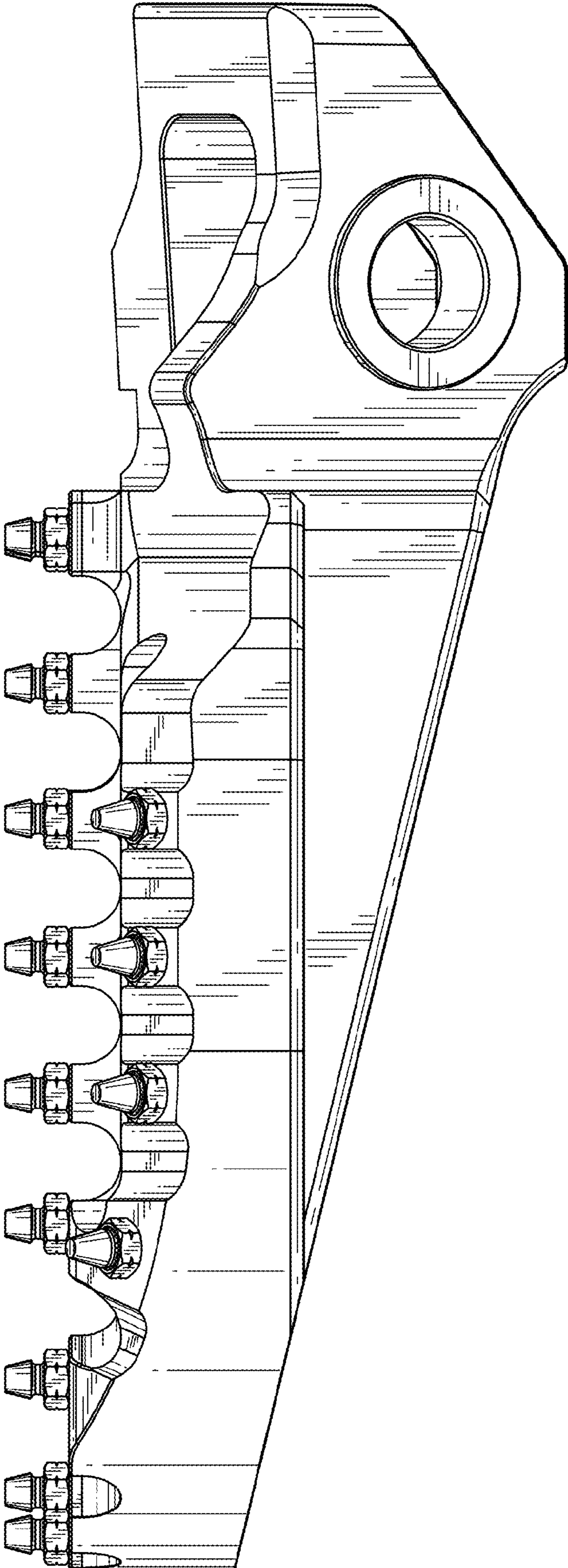


FIG.5

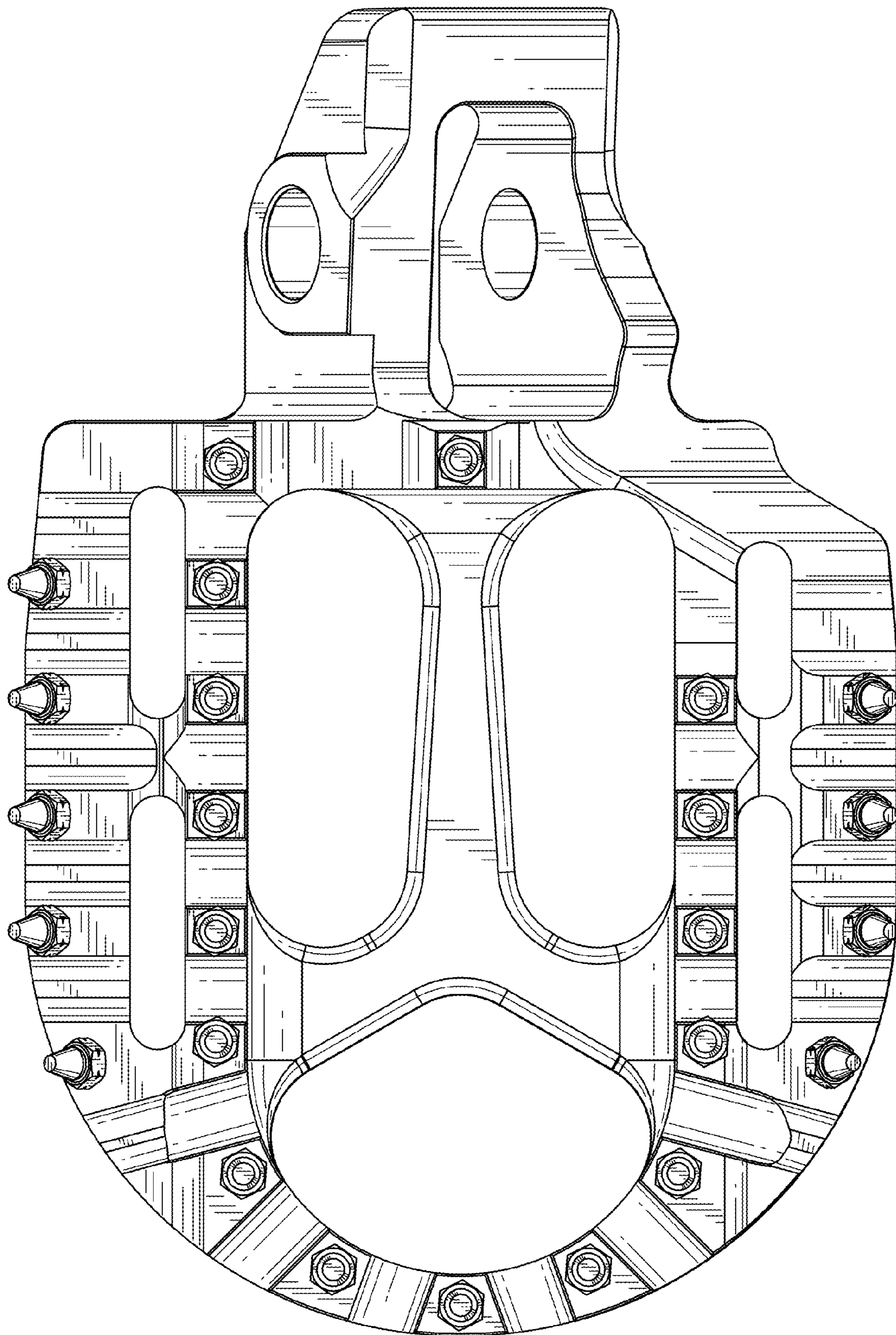


FIG. 6

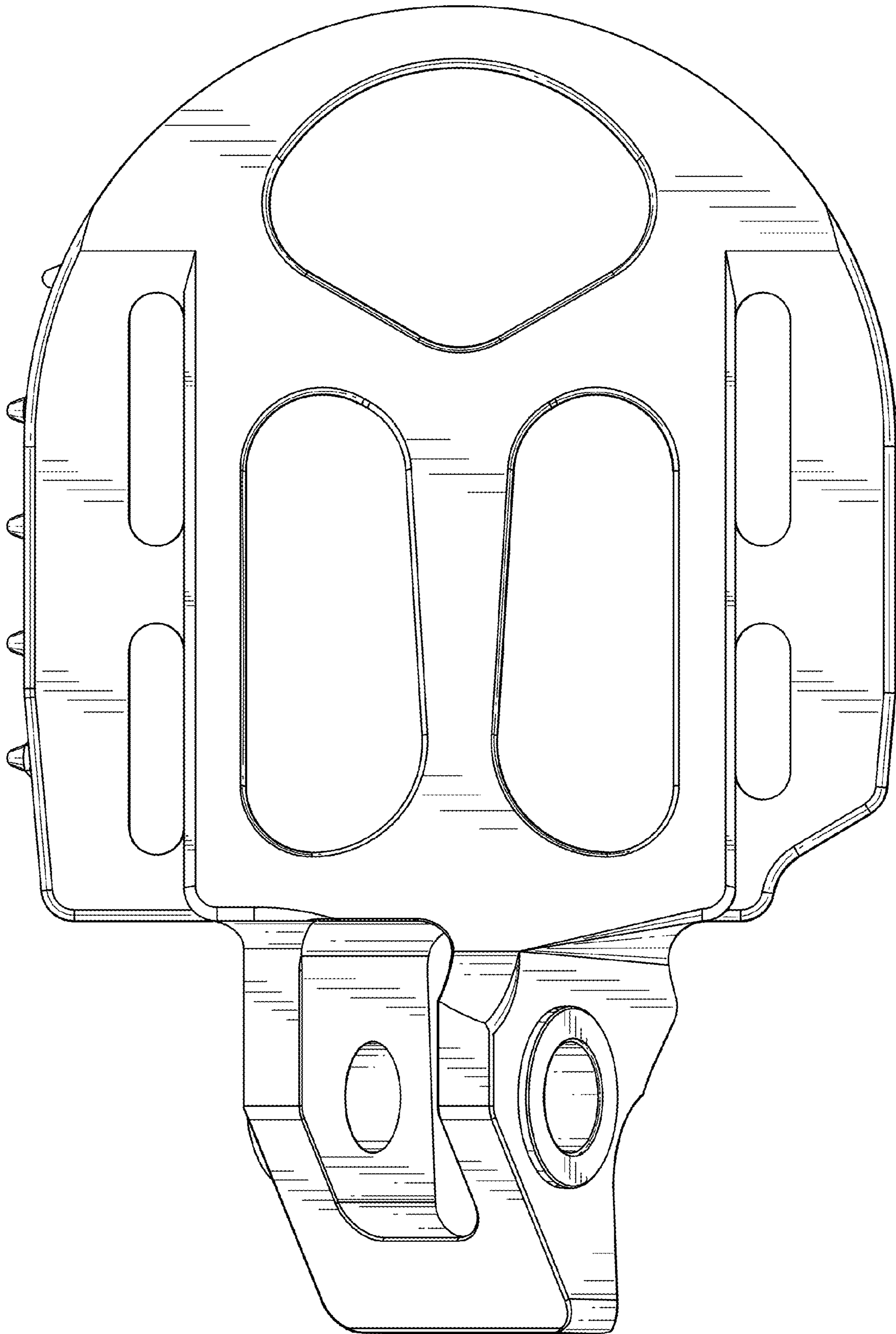


FIG.7

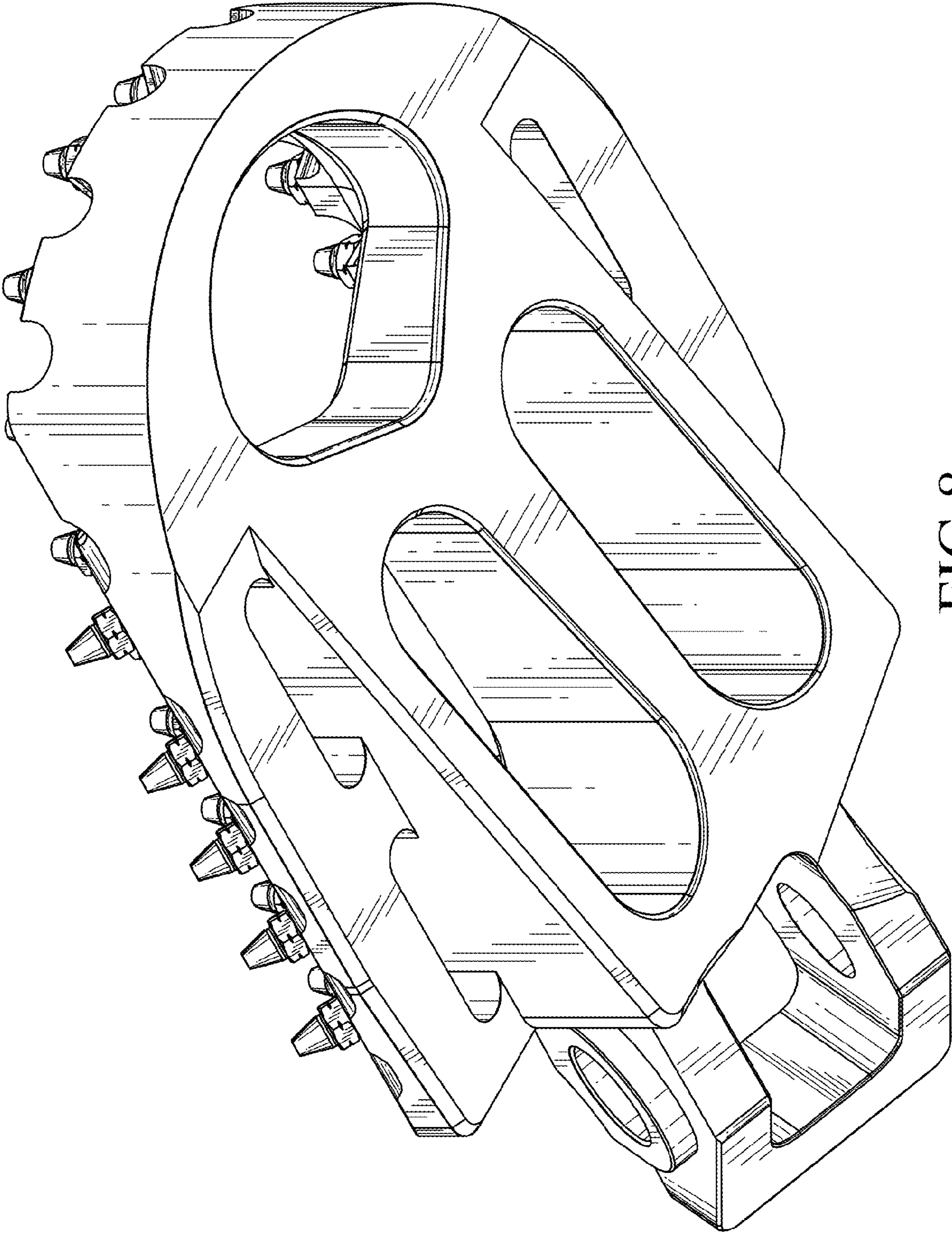


FIG. 8