



US00D915245S

(12) **United States Design Patent**  
**Nagano**

(10) **Patent No.:** **US D915,245 S**

(45) **Date of Patent:** **\*\* Apr. 6, 2021**

(54) **BRACKET FOR MOUNTING BICYCLE ACCESSORY**

(71) Applicant: **Cateye Co., Ltd.**, Osaka (JP)

(72) Inventor: **Toshiyuki Nagano**, Osaka (JP)

(73) Assignee: **Cateye Co., Ltd.**, Osaka (JP)

(\*\*) Term: **15 Years**

(21) Appl. No.: **29/704,333**

(22) Filed: **Sep. 4, 2019**

**Related U.S. Application Data**

(62) Division of application No. 29/638,271, filed on Feb. 26, 2018, now Pat. No. Des. 873,721.

**Foreign Application Priority Data**

Aug. 30, 2017 (JP) ..... 2017-018605  
Aug. 30, 2017 (JP) ..... 2017-018606

(51) **LOC (13) Cl.** ..... **12-11**

(52) **U.S. Cl.**  
USPC ..... **D12/114**

(58) **Field of Classification Search**  
USPC ..... D12/114, 177, 178, 223, 400, 406, 407,  
D12/411, 415; D14/253; D8/396  
CPC ..... B62J 11/00; B62J 6/00  
See application file for complete search history.

**References Cited**

**U.S. PATENT DOCUMENTS**

4,697,772 A 10/1987 Kosugi  
D318,607 S 7/1991 Reid  
5,226,340 A 7/1993 Takeda  
D343,816 S \* 2/1994 De Silva ..... D12/114  
5,332,183 A \* 7/1994 Kagayama ..... B62J 6/00  
248/222.13  
D351,036 S 9/1994 Tsushi

D357,878 S \* 5/1995 Tsushi ..... D10/98  
D368,695 S \* 4/1996 De Silva ..... D12/407  
D370,193 S 5/1996 Shull  
D391,218 S \* 2/1998 Pingel ..... D12/114  
D396,835 S \* 8/1998 Roddy ..... D12/114  
5,904,442 A 5/1999 Takeda  
D433,923 S \* 11/2000 Hyp ..... D8/363  
D505,875 S 6/2005 Okuda  
7,077,302 B2 \* 7/2006 Chuang ..... B62J 11/00  
224/271  
D544,565 S 6/2007 Campbell  
D546,740 S \* 7/2007 Phipps ..... D12/179  
D553,485 S \* 10/2007 Hall ..... D8/396  
D563,295 S \* 3/2008 Mabuchi ..... D12/179  
D564,419 S 3/2008 Clontz  
D566,647 S 4/2008 Lee  
D580,262 S \* 11/2008 Eason ..... F16B 7/0493  
D8/396

D587,188 S 2/2009 Mo  
D647,434 S 10/2011 Chambers

(Continued)

*Primary Examiner* — Michelle E. Wilson

*Assistant Examiner* — Clese Moore, Jr.

(74) *Attorney, Agent, or Firm* — Saul Ewing Arnstein & Lehr

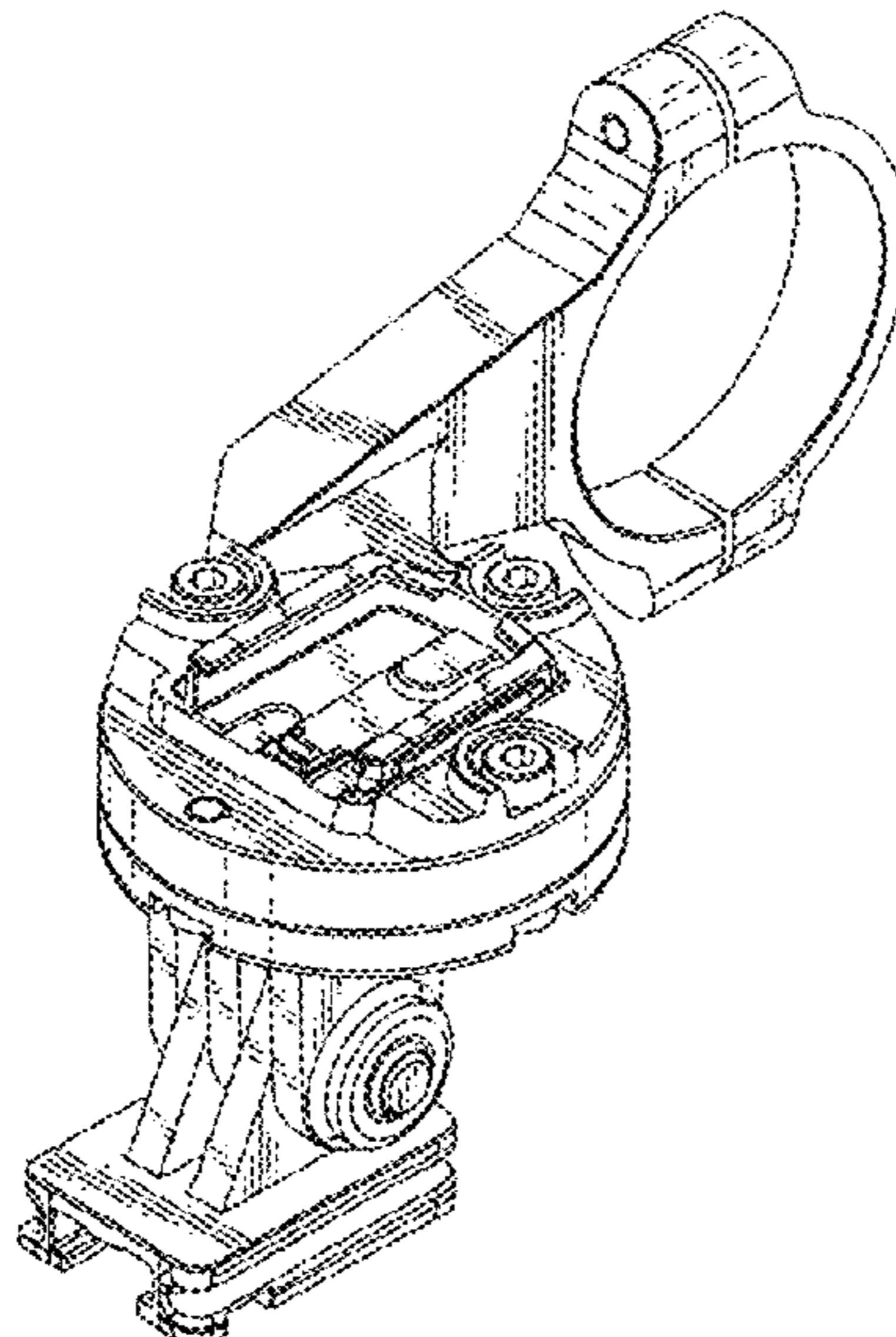
(57) **CLAIM**

The ornamental design for a bracket for mounting bicycle accessory, as shown.

**DESCRIPTION**

FIG. 1 is a perspective view of a bracket for mounting bicycle accessory of the present design; FIG. 2 is a front elevational view thereof; FIG. 3 is a rear elevational view thereof; FIG. 4 is a right side view thereof; FIG. 5 is a left side view thereof; FIG. 6 is a top plan view thereof; and, FIG. 7 is a bottom plan view thereof.

**1 Claim, 4 Drawing Sheets**



(56)

**References Cited**

U.S. PATENT DOCUMENTS

D652,779	S	1/2012	Richter	
D653,190	S	1/2012	Richter	
D685,687	S	7/2013	Richter	
D704,199	S *	5/2014	Byun .....	D14/447
D715,790	S *	10/2014	Conomos .....	D14/253
D731,299	S *	6/2015	Sugiura .....	D8/396
D732,378	S *	6/2015	Oquendo .....	D8/363
D742,207	S	11/2015	Oquendo	
D765,549	S *	9/2016	Khodapanah .....	D12/114
D772,220	S *	11/2016	Daniels .....	D14/253
D772,970	S *	11/2016	Balmer .....	D16/242
9,604,686	B2 *	3/2017	Wadey .....	B62J 11/00
D783,392	S *	4/2017	Dew .....	D8/396
D790,527	S *	6/2017	O'Neill .....	D14/253
D791,058	S *	7/2017	Laatz .....	D12/223
D805,019	S	12/2017	Taylor	
D873,721	S *	1/2020	Nagano .....	D12/114
2001/0039850	A1 *	11/2001	Masui .....	B62J 99/00 74/551.8
2012/0305614	A1	12/2012	Lee	
2014/0263509	A1	9/2014	Oquendo	
2015/0183478	A1 *	7/2015	Tate .....	B62J 11/00 224/441

\* cited by examiner

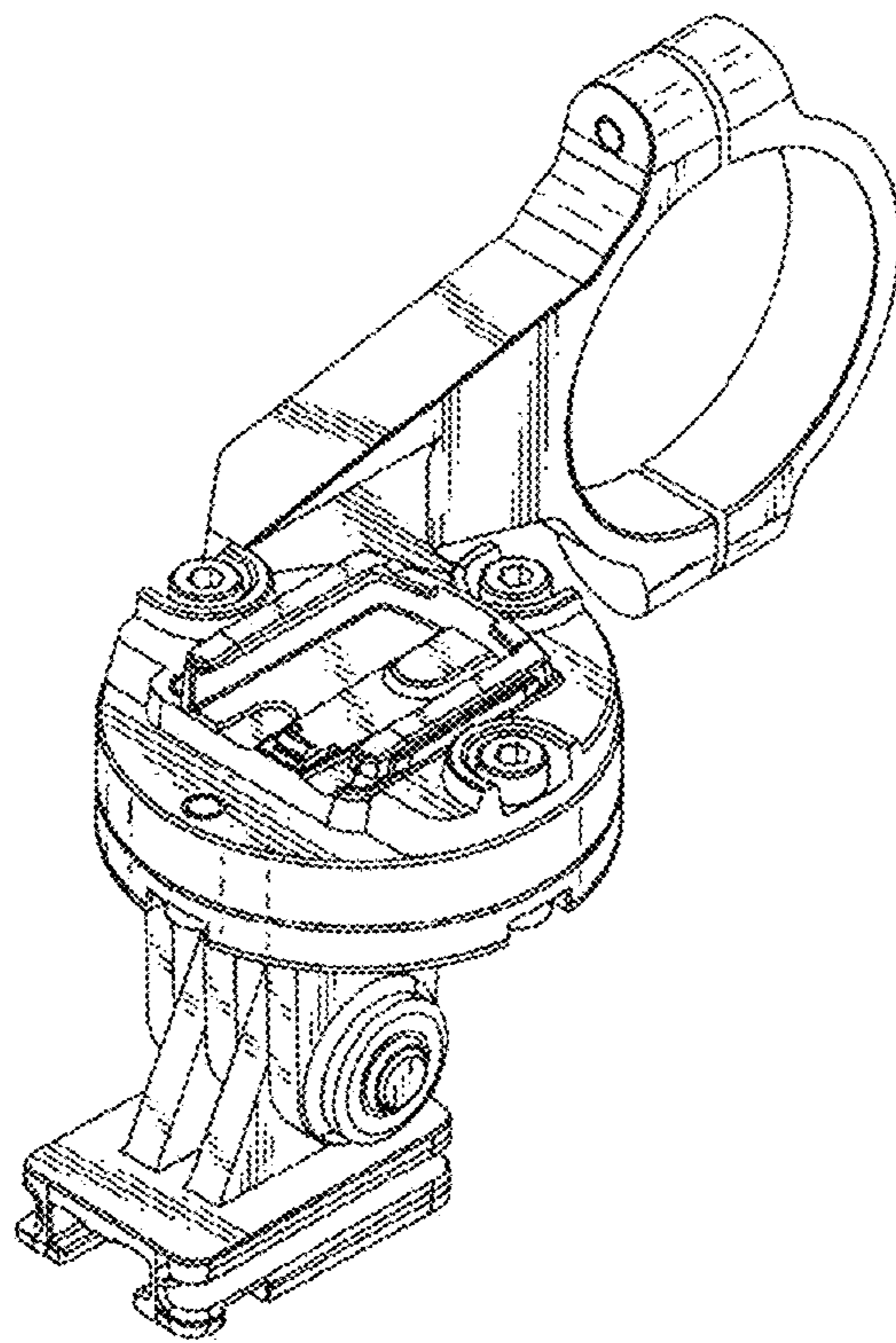


Fig. 1

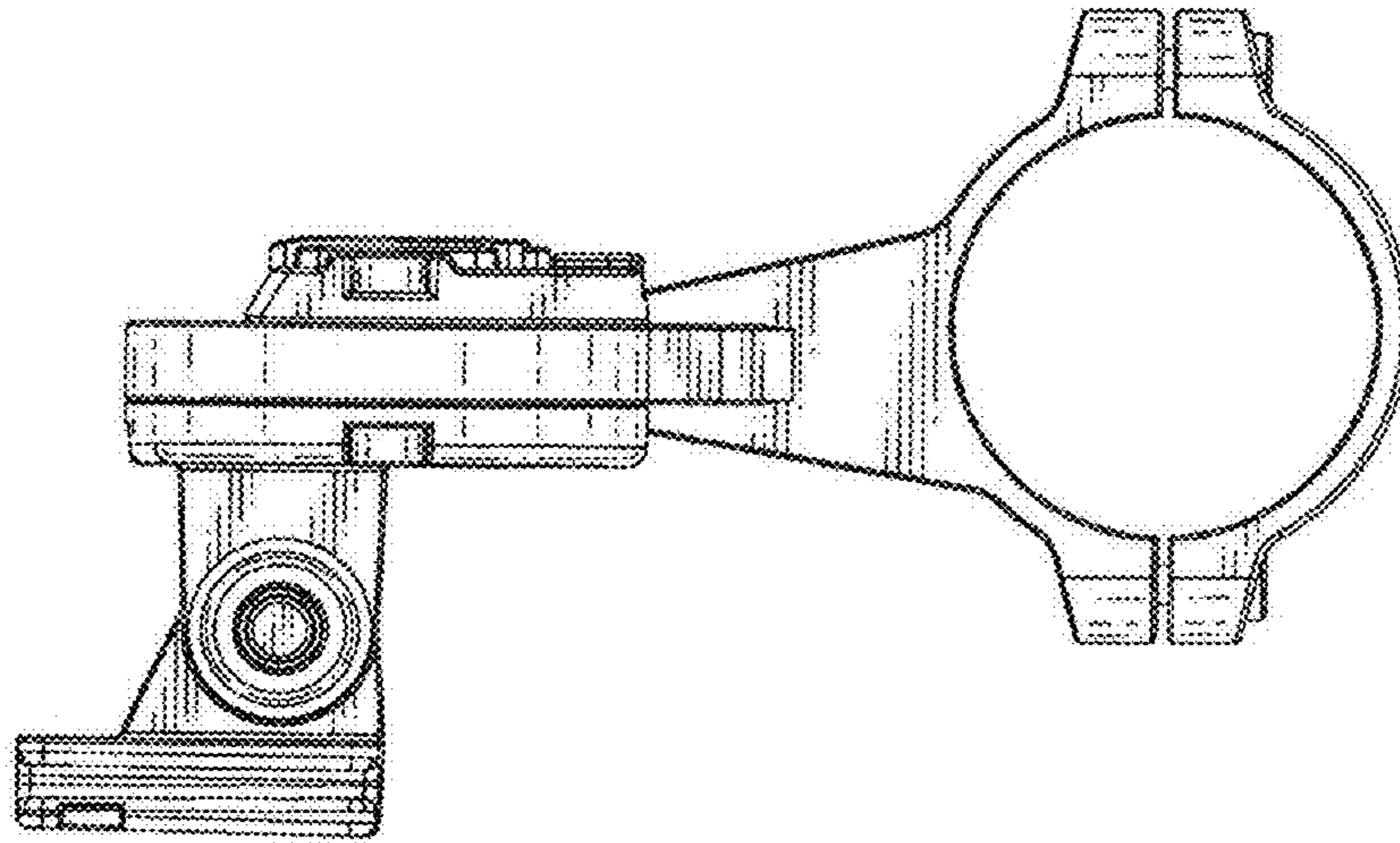


Fig. 2

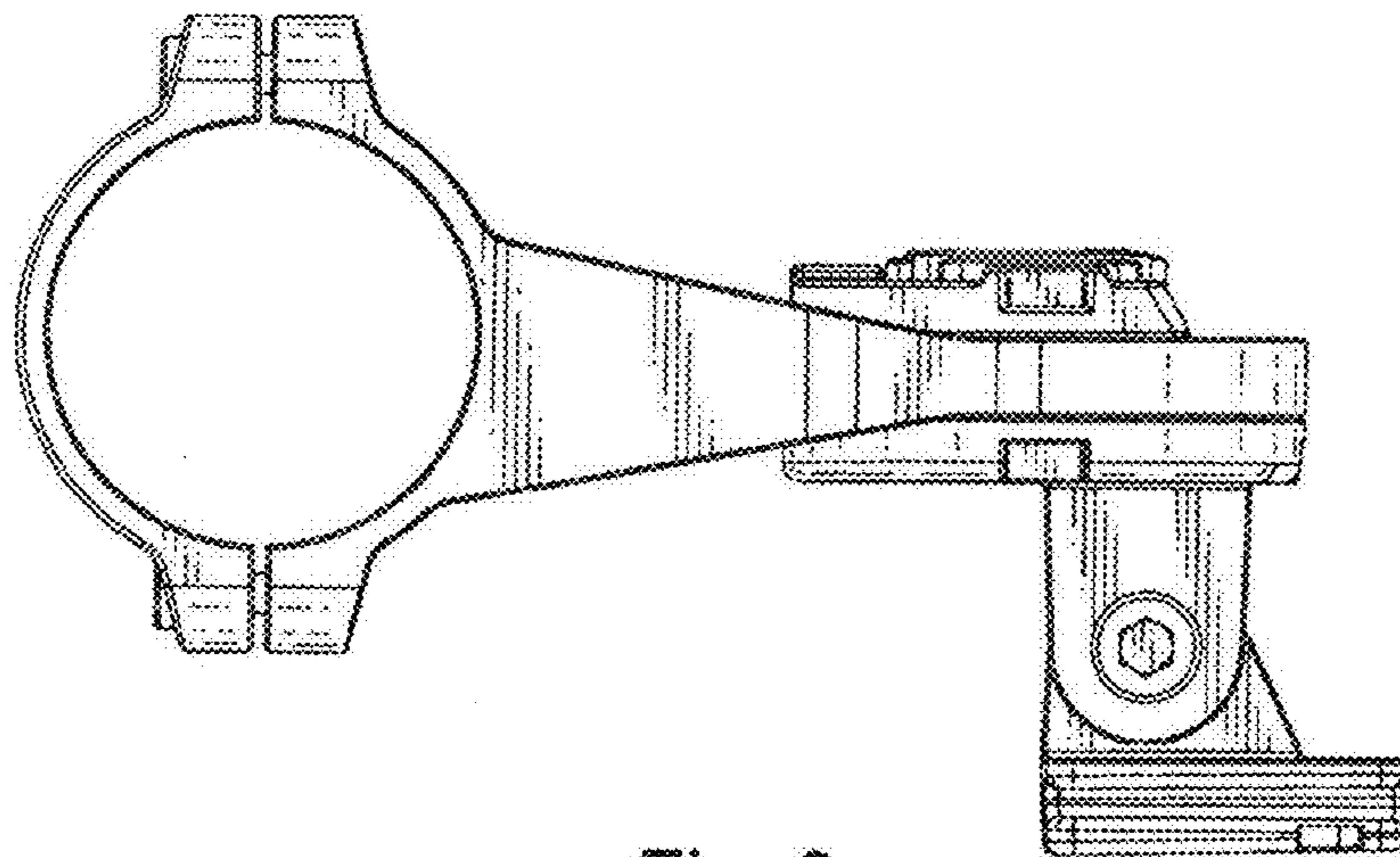


Fig. 3

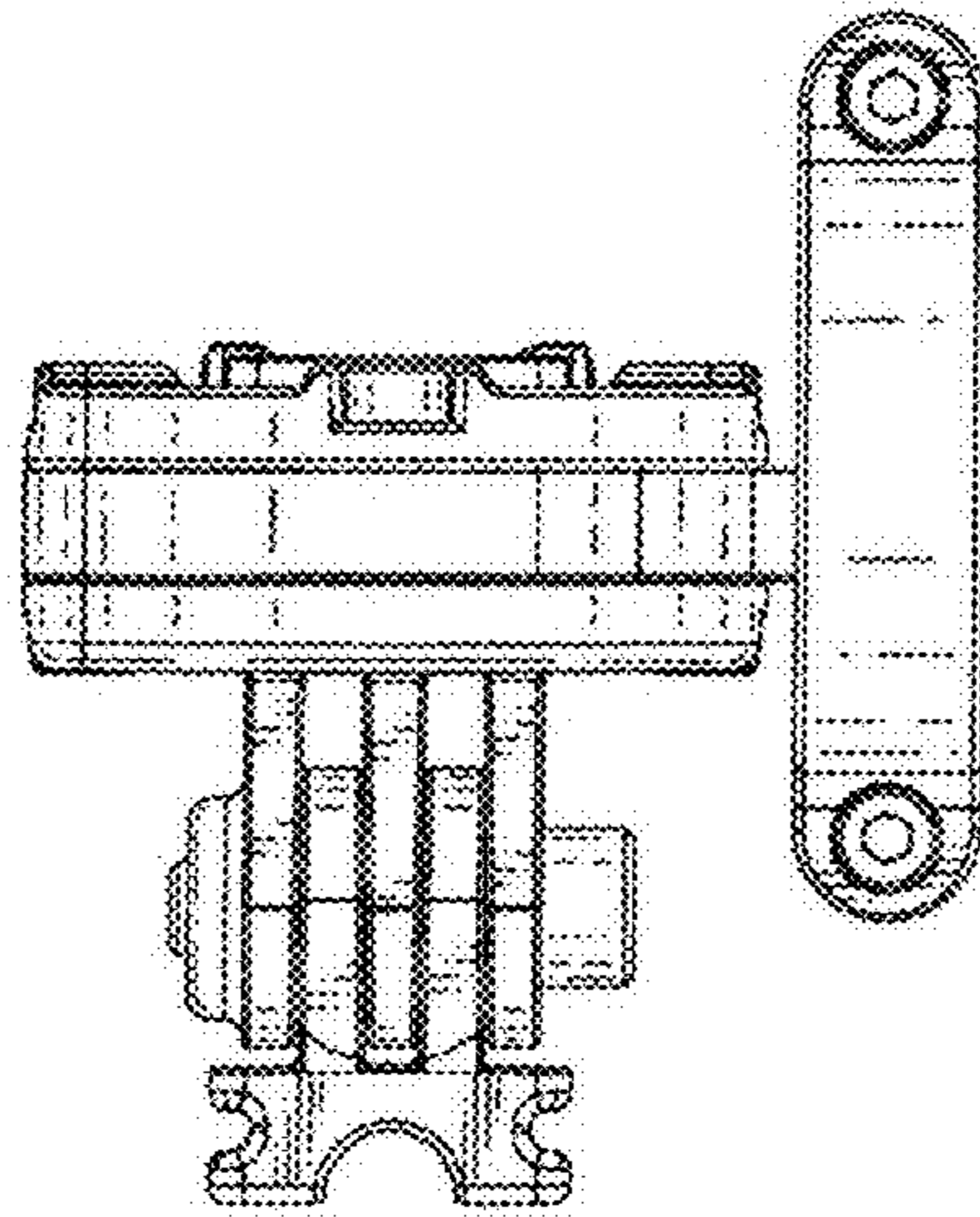


Fig. 4

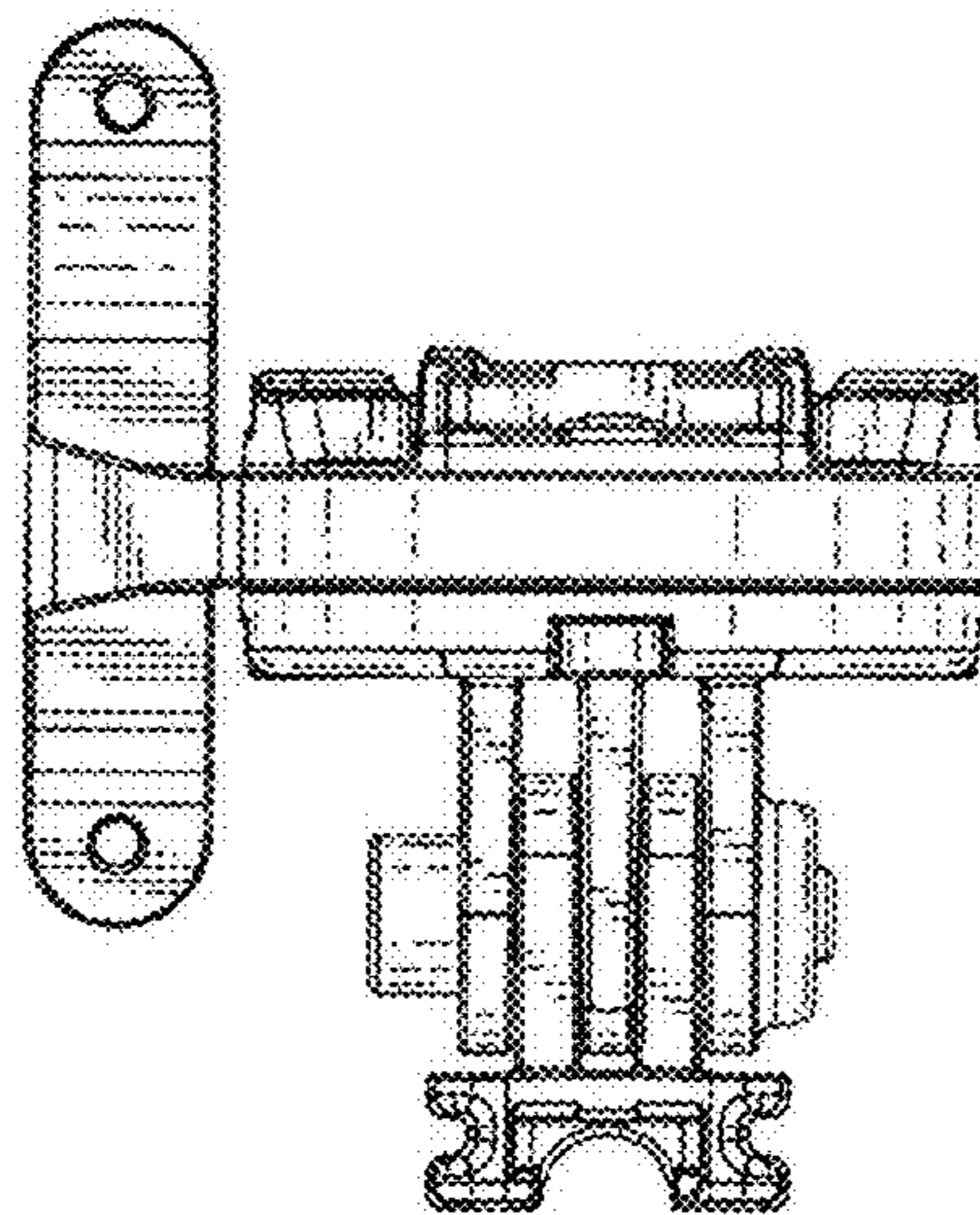


Fig. 5

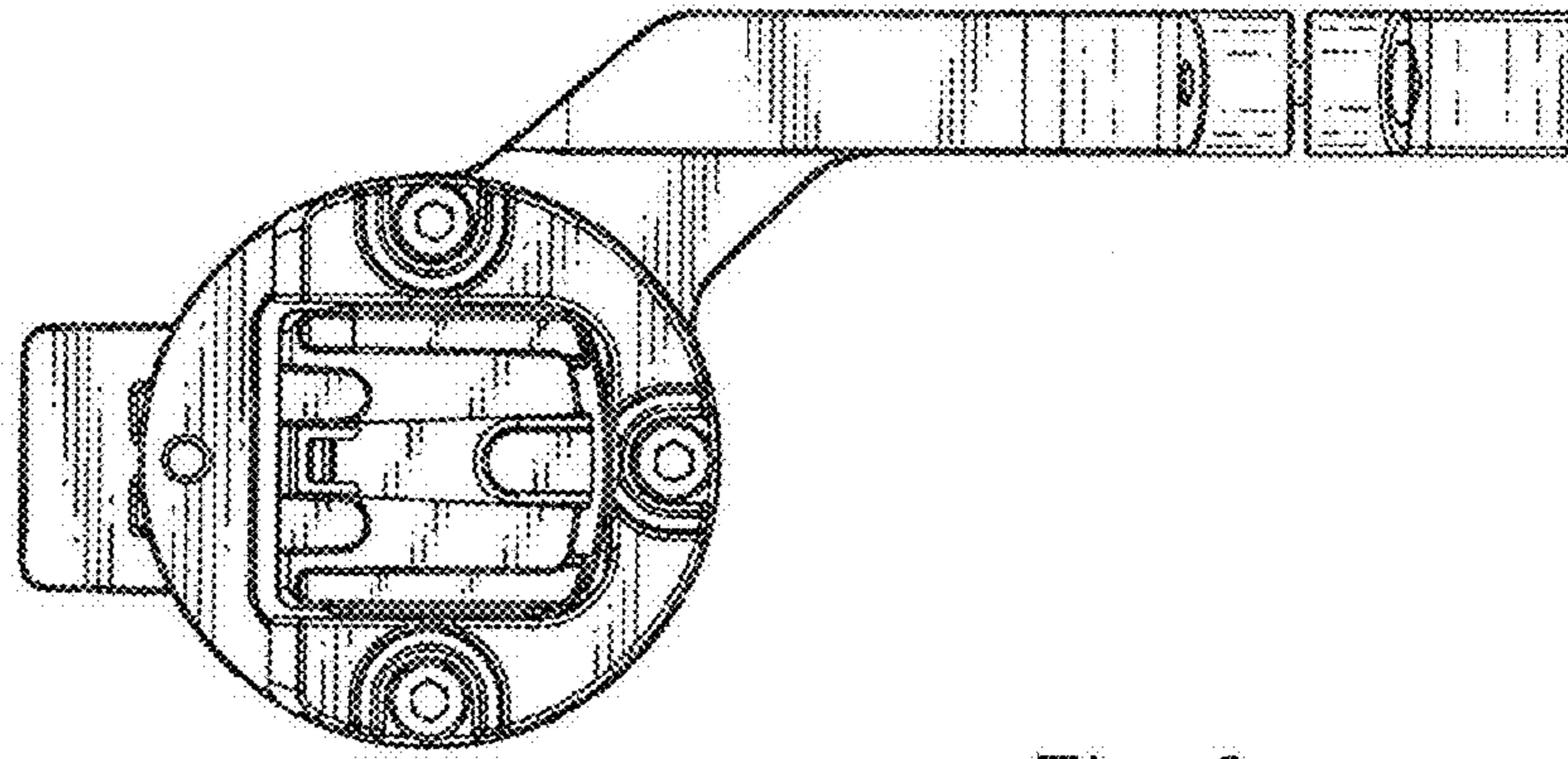


Fig. 6

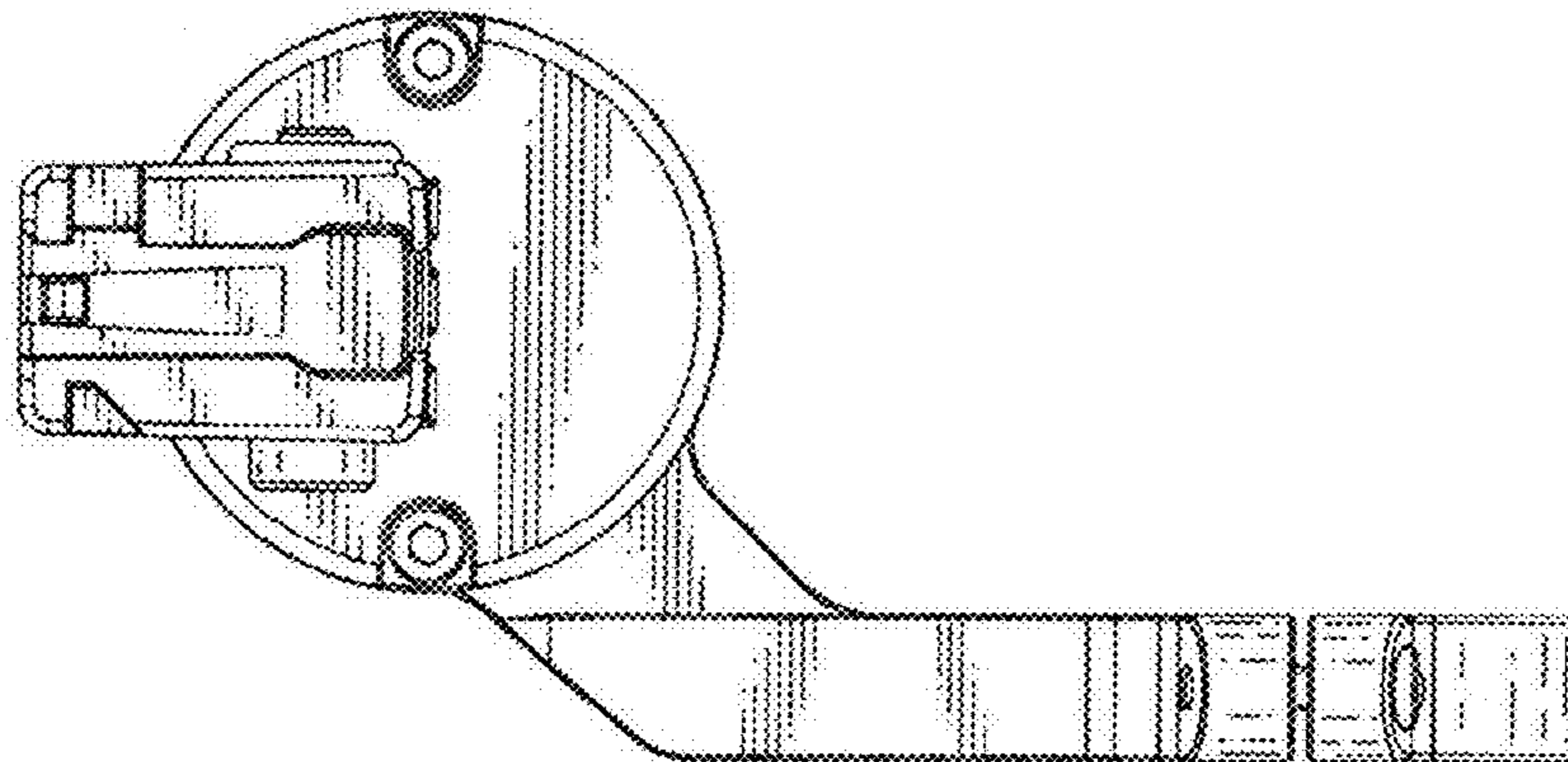


Fig. 7