



US00D915244S

(12) **United States Design Patent**
Chen

(10) **Patent No.:** **US D915,244 S**

(45) **Date of Patent:** **** Apr. 6, 2021**

(54) **ELECTRIC BICYCLE**

(71) Applicant: **Qiang Chen**, Guangzhou (CN)

(72) Inventor: **Qiang Chen**, Guangzhou (CN)

(**) Term: **15 Years**

(21) Appl. No.: **29/704,887**

(22) Filed: **Sep. 9, 2019**

(51) **LOC (13) Cl.** **12-11**

(52) **U.S. Cl.**
USPC **D12/111**

(58) **Field of Classification Search**
USPC D12/111, 117; D21/412, 414, 419,
D21/423–428, 431–435
CPC B62K 3/00; B62K 3/02; B62K 3/06
See application file for complete search history.

(56) **References Cited**

U.S. PATENT DOCUMENTS

D253,102 S *	10/1979	Hahn	D12/110
D291,291 S *	8/1987	Voytko	D12/111
D414,721 S *	10/1999	Nakamura	D12/110
D441,323 S *	5/2001	Cheng	D12/111
D465,437 S *	11/2002	van der Veer	D12/111
D465,438 S *	11/2002	Masui	D12/111
D472,851 S *	4/2003	Tajima	D12/110
D540,716 S *	4/2007	Mohr	D12/111
D578,042 S *	10/2008	Yang	D12/111
D594,787 S *	6/2009	Dallaire	D12/111
D600,596 S *	9/2009	Walters	D12/111
D610,047 S *	2/2010	Uimonen	D12/111
D620,400 S *	7/2010	Haller	D12/111
D620,401 S *	7/2010	Haller	D12/111
D621,302 S *	8/2010	Tanaka	D12/111
D625,228 S *	10/2010	Lockart	D12/111
D634,673 S *	3/2011	Lockart	D12/111
7,963,357 B2 *	6/2011	Gulas	B62K 25/283 180/206.5
D644,962 S *	9/2011	Schoonhoven	D12/111
D670,208 S *	11/2012	Frenzel	D12/111

D690,238 S *	9/2013	Uimonen	D12/111
D690,239 S *	9/2013	Uimonen	D12/111
D727,214 S *	4/2015	Yang	D12/111
D730,779 S *	6/2015	Arbour	D12/111
D745,836 S *	12/2015	Poster	D12/111
D774,972 S *	12/2016	Lambri	D12/111
D789,836 S *	6/2017	Gouin	D12/111
D791,022 S *	7/2017	Lam	D12/111
D828,232 S *	9/2018	Berkes	D12/111
D829,131 S *	9/2018	Schieffelin	D12/111
D854,969 S *	7/2019	Gouin	D12/111

(Continued)

OTHER PUBLICATIONS

Kyle Wigger. "Bird's Cruiser is a two-seater electric bike with a 52-volt battery . . ." Venture Beat., Jun. 4, 2019 [online], [retrieved on Feb. 18, 2021], Retrieved from the Internet <URL: <https://venturebeat.com/2019/06/04/birds-cruiser-is-a-two-seater-electric-vehicle-with-a-52-volt-battery-and-lcd-screen/>>.*

(Continued)

Primary Examiner — Darlington Ly

(74) *Attorney, Agent, or Firm* — Rumit Ranjit Kanakia

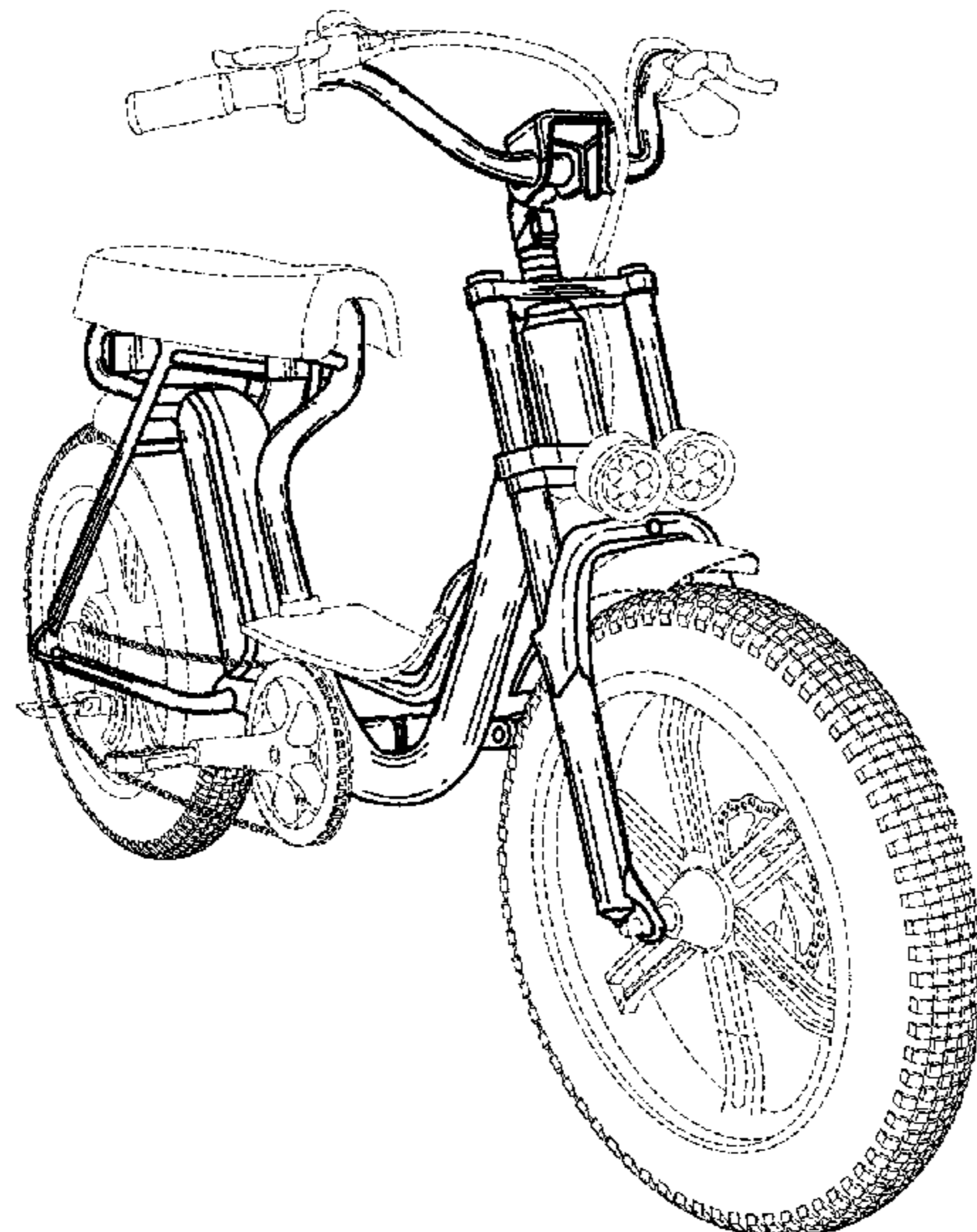
(57) **CLAIM**

I claim the ornamental design for an electric bicycle, as shown and described.

DESCRIPTION

FIG. 1 is a perspective view of an electric bicycle embodying my new design;
FIG. 2 is a front elevation view thereof;
FIG. 3 is a rear elevation view thereof;
FIG. 4 is a left side elevation view thereof;
FIG. 5 is a right side elevation view thereof;
FIG. 6 is a top plan view thereof; and,
FIG. 7 is a bottom plan view thereof.
The broken lines in the drawings illustrate portions of the electric bicycle that form no part of the claimed design.

1 Claim, 7 Drawing Sheets



(56)

References Cited

U.S. PATENT DOCUMENTS

D901,336 S * 11/2020 Kuehne D12/111
D902,084 S * 11/2020 Gauthier D12/111
D903,532 S * 12/2020 Ma D12/111
D910,496 S * 2/2021 Zhu D12/111
D910,497 S * 2/2021 Sun D12/111
2013/0001000 A1* 1/2013 Krieger B62M 6/45
180/206.3
2014/0209400 A1* 7/2014 Yao B62M 6/45
180/167

OTHER PUBLICATIONS

“Minibike Electric Bike Reviews.” Electric Bike Reviews., Dec. 5, 2019 [online], [retrieved on Feb. 18, 2021], Retrieved from the Internet <URL: <https://electricbikereview.com/category/minibike/>>.*

* cited by examiner

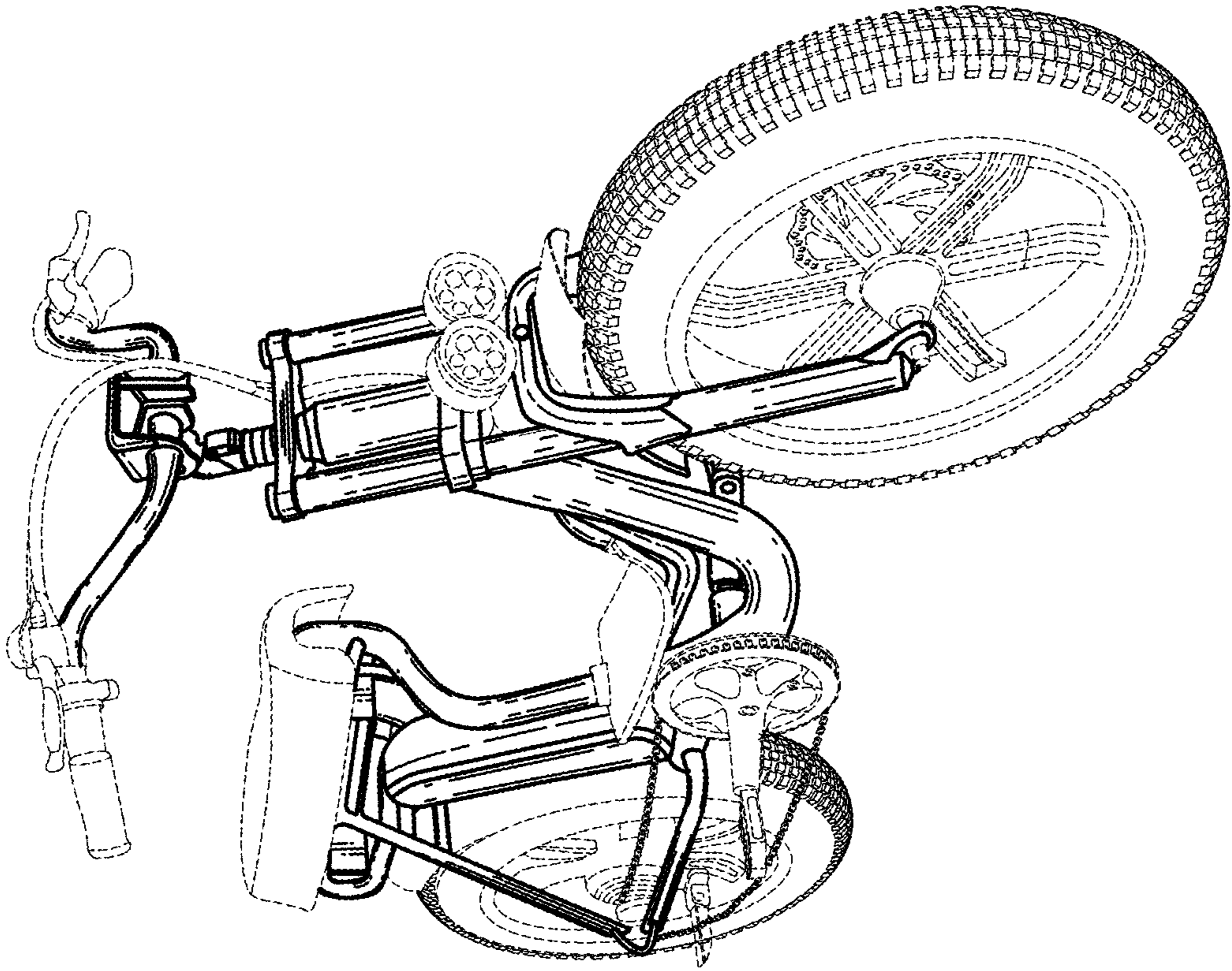


FIG. 1

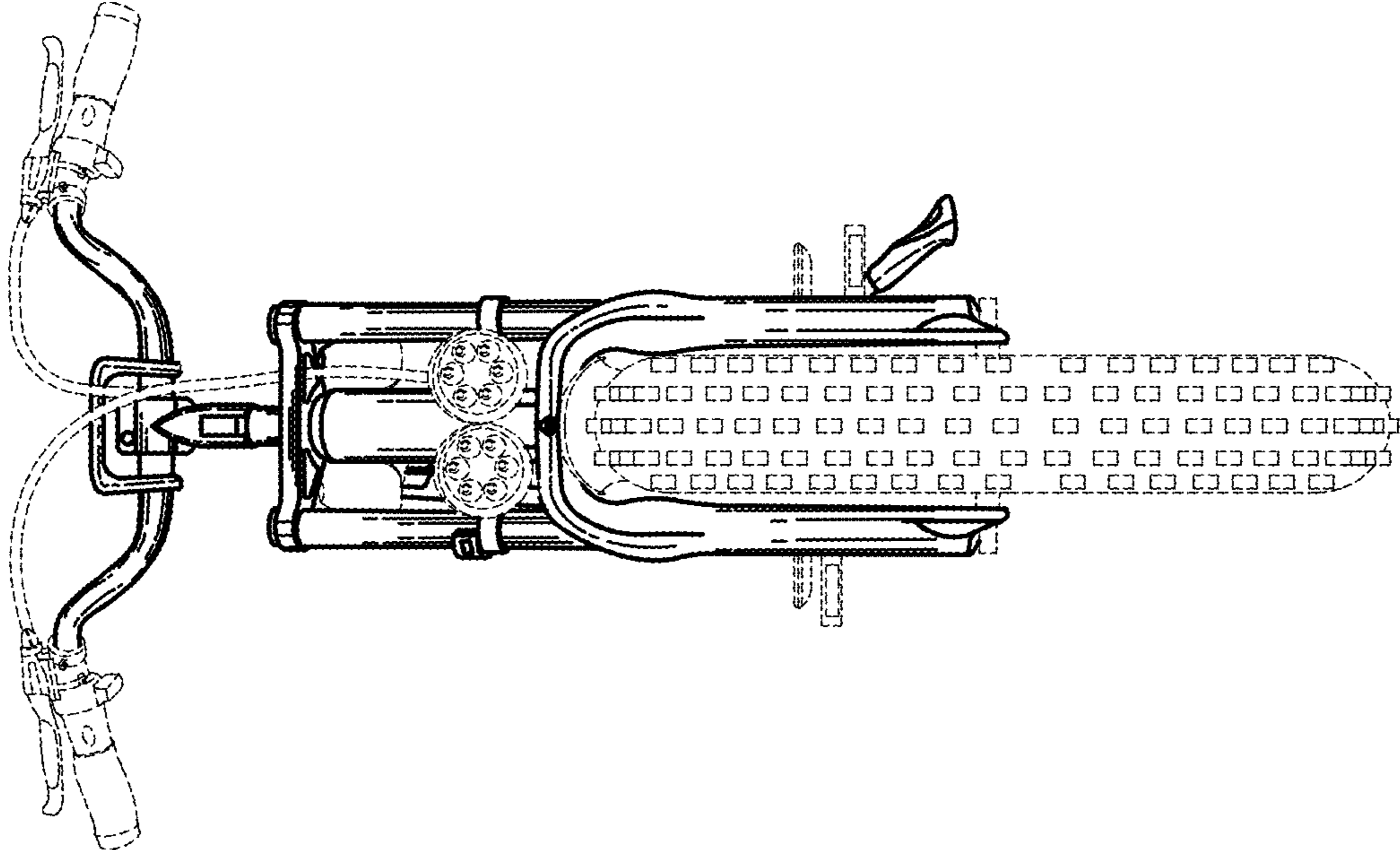


FIG. 2

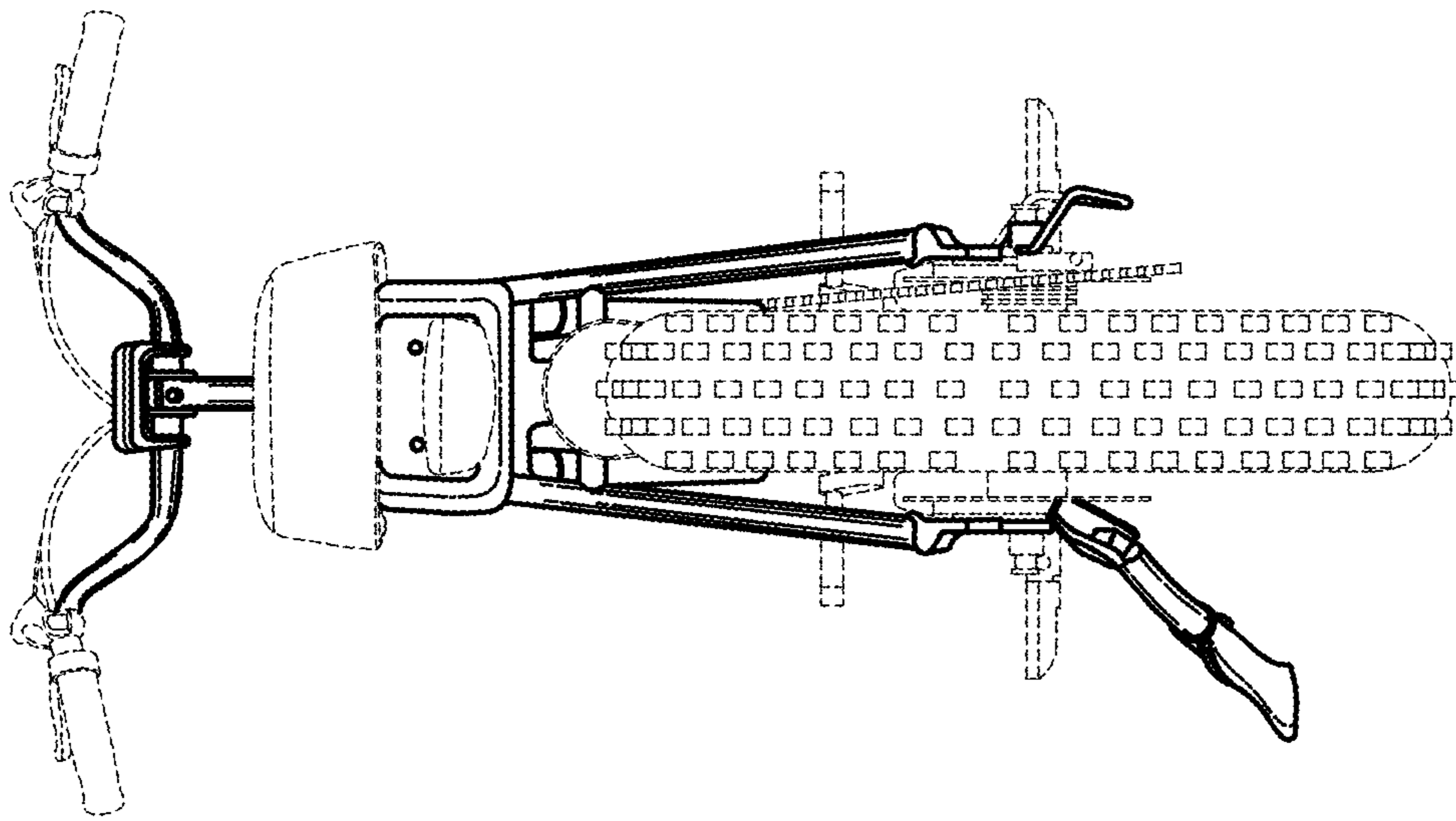


FIG. 3

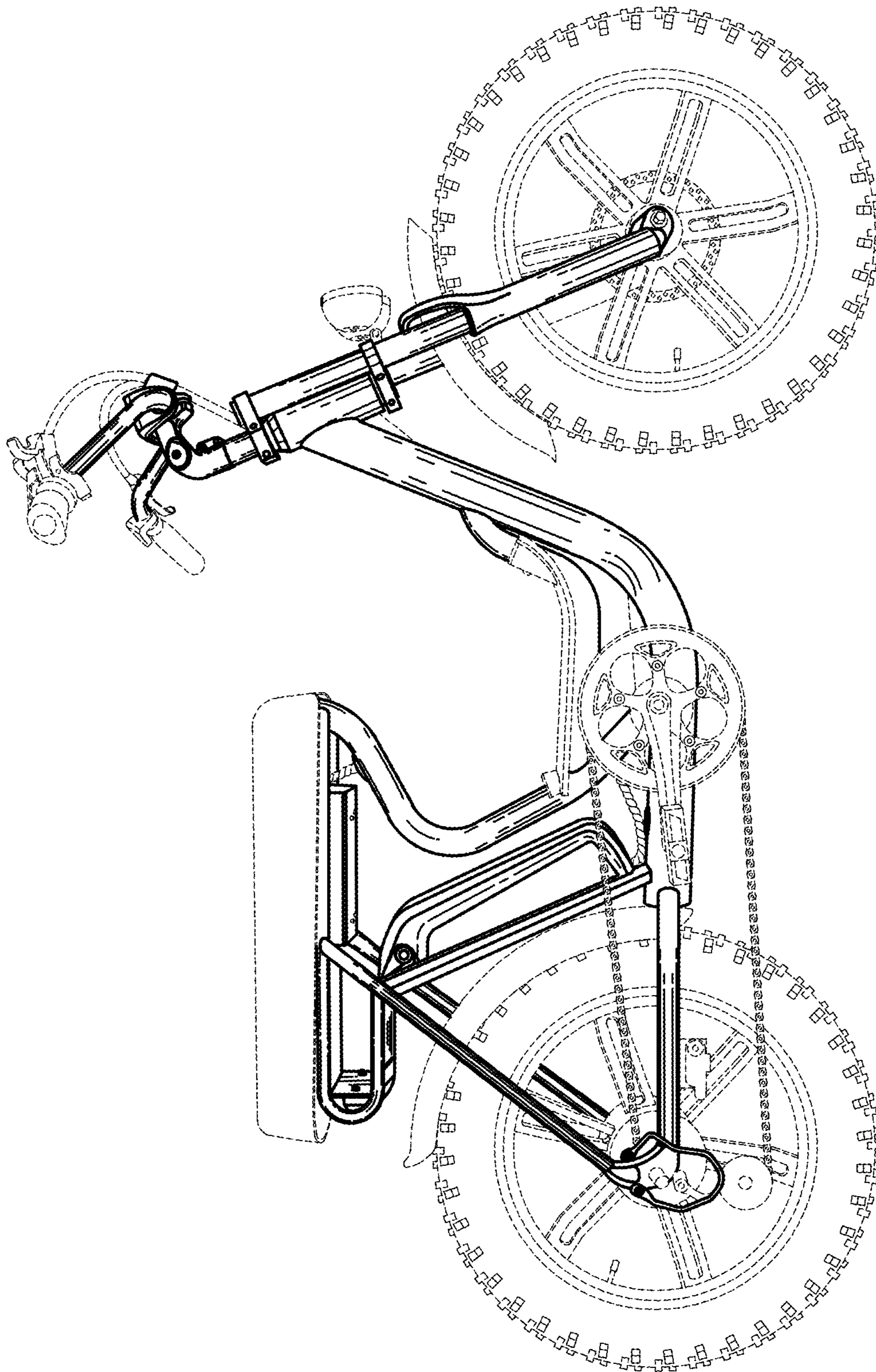


FIG. 4

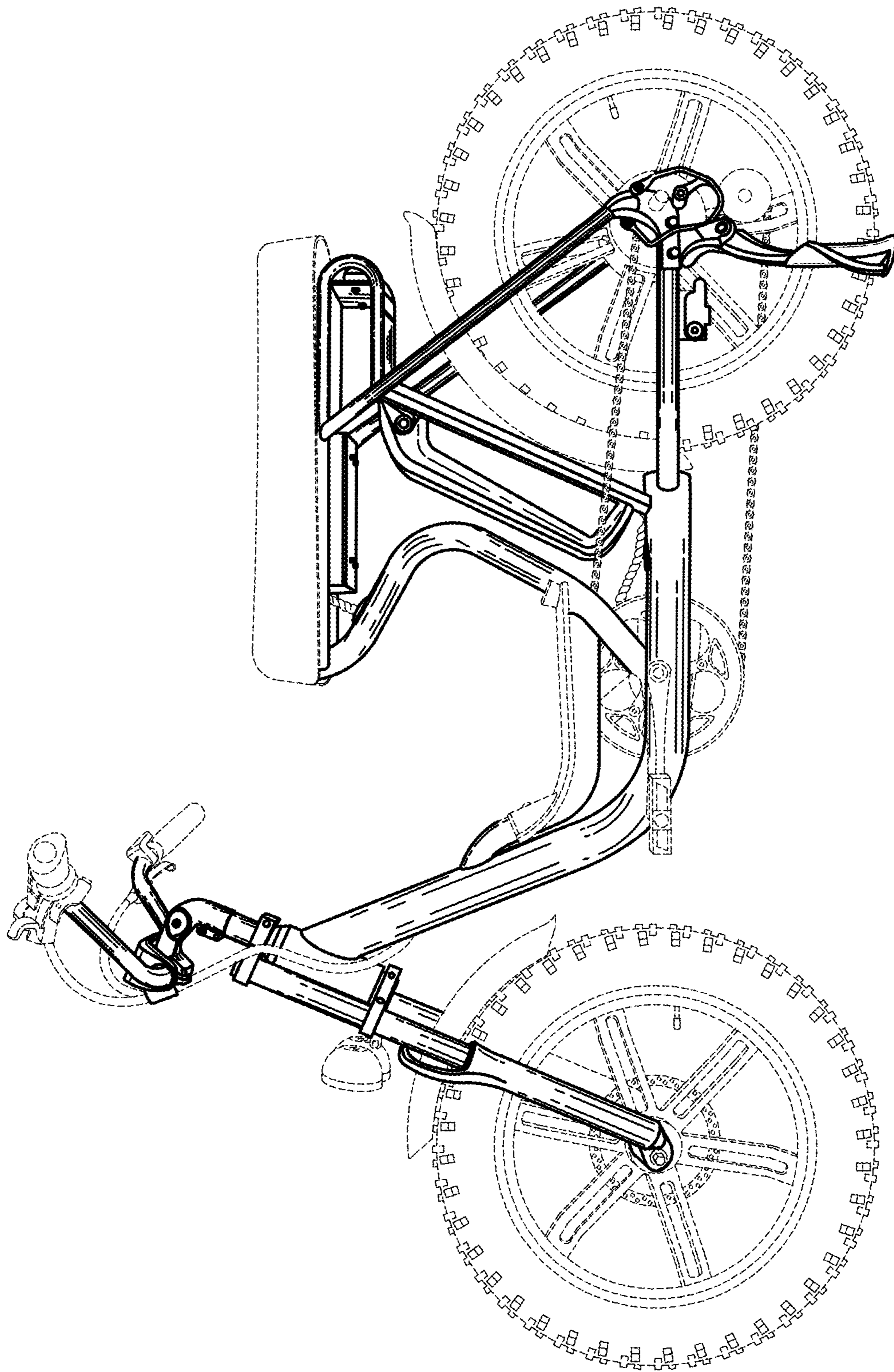


FIG. 5

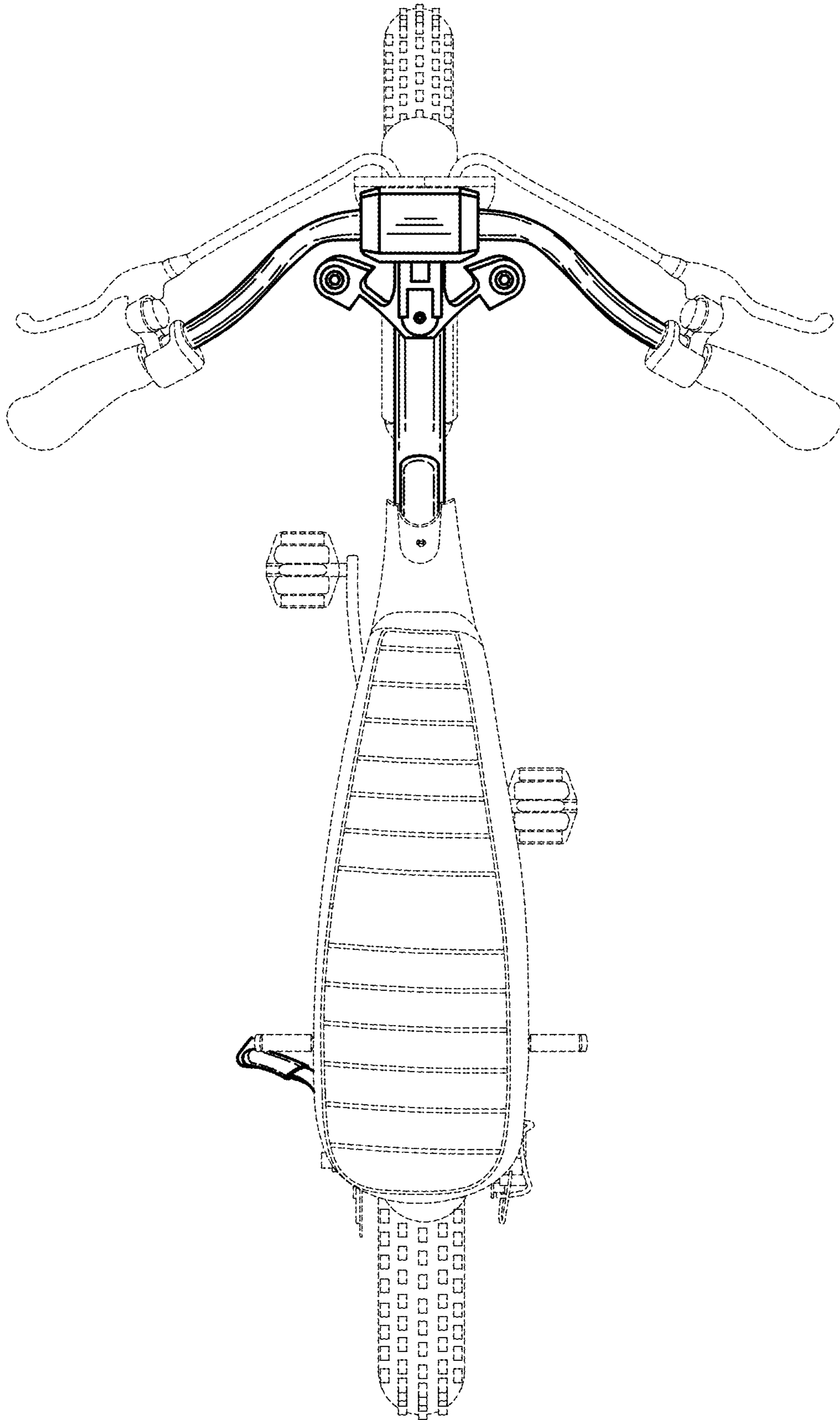


FIG. 6

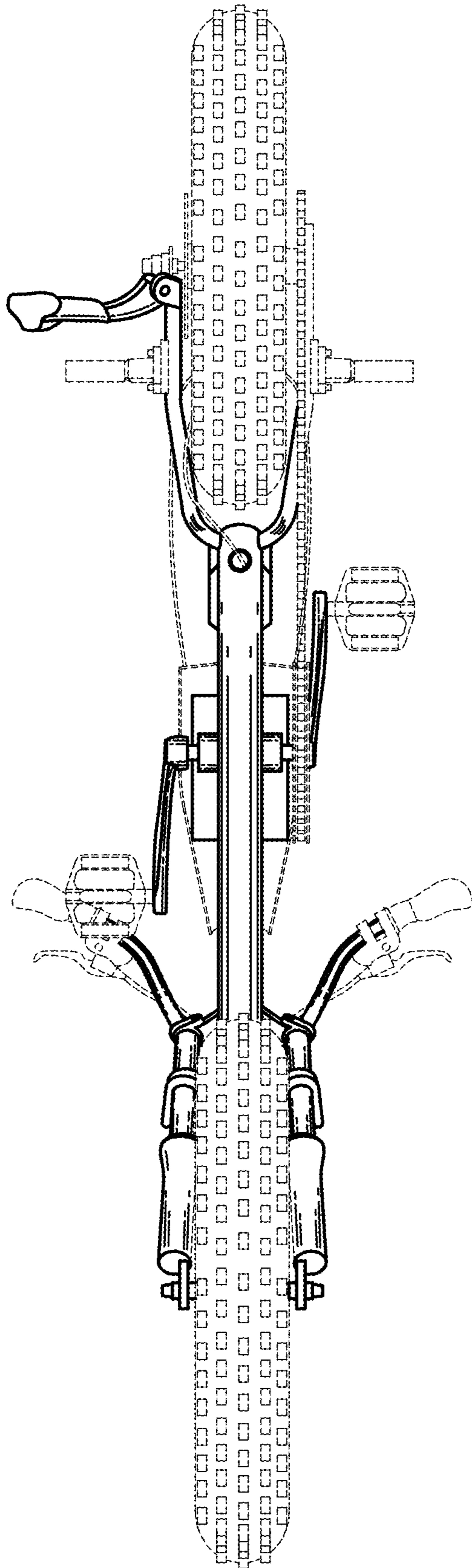


FIG. 7