



US00D915243S

(12) **United States Design Patent**  
**Sun et al.**

(10) **Patent No.:** **US D915,243 S**  
(45) **Date of Patent:** **\*\* Apr. 6, 2021**

(54) **BICYCLE**

(71) Applicant: **Beijing Qisheng Science and Technology Co., Ltd., Beijing (CN)**

(72) Inventors: **Zhen Sun, Beijing (CN); Chuncheng Li, Beijing (CN); Bin Zheng, Beijing (CN)**

(73) Assignee: **BEIJING QISHENG SCIENCE AND TECHNOLOGY CO., LTD., Beijing (CN)**

(\*\*) Term: **15 Years**

(21) Appl. No.: **29/669,491**

(22) Filed: **Nov. 8, 2018**

(30) **Foreign Application Priority Data**

Mar. 9, 2018 (CN) ..... 201830088568.2

(51) **LOC (13) Cl.** ..... **12-11**

(52) **U.S. Cl.**  
USPC ..... **D12/111**

(58) **Field of Classification Search**  
USPC ..... D12/111, 107, 114, 117, 159; D21/419, D21/424, 427, 432, 663, 664, 666, 697  
CPC . B62K 3/00; B62K 3/005; B62K 3/02; B62K 3/04; B62K 11/00; B62K 11/02; B62K 11/10; B62K 11/14; B62K 9/02; B62K 21/12; B62K 21/16; B62K 21/26; B62K 21/02; B62K 21/04; B62K 21/06; B62K 15/006; B62K 2201/04; B62K 25/04; B62K 25/08; B62K 25/16; B62K 25/30; B62K 19/02; B62K 19/08; B62K 19/16  
See application file for complete search history.

(56) **References Cited**

**U.S. PATENT DOCUMENTS**

D291,291 S \* 8/1987 Voytko ..... D12/111  
D594,787 S \* 6/2009 Dallaire ..... D12/111

D614,084 S \* 4/2010 Tanaka ..... D12/111  
D621,302 S \* 8/2010 Tanaka ..... D12/111  
D625,228 S \* 10/2010 Lockart ..... D12/111  
D666,946 S \* 9/2012 Uimonen ..... D12/111  
D730,780 S \* 6/2015 Arbour ..... D12/111  
D774,966 S \* 12/2016 Finbow ..... D12/111  
D774,972 S \* 12/2016 Lambri ..... D12/111  
D789,836 S \* 6/2017 Gouin ..... D12/111

(Continued)

**FOREIGN PATENT DOCUMENTS**

CN 201330508637 \* 10/2013  
CN 201730316428 \* 7/2017  
WO WO-2017131655 A1 \* 8/2017 ..... B62B 1/12

**OTHER PUBLICATIONS**

Amazon, CMACEWHEEL Y20 Folding Electric bike, posted Nov. 20, 2017, [online], [visited Jul. 1, 2020]. Internet, <URL: https://www.amazon.co.uk/CMACEWHEEL-Folding-Electric-Battery-Mountain/dp/B01FCSPXOW/ref=> (Year: 2017).\*

*Primary Examiner* — Sheryl Lane

*Assistant Examiner* — Samantha N Wood

(74) *Attorney, Agent, or Firm* — Bayes PLLC

(57) **CLAIM**

The ornamental design for a bicycle, as shown and described.

**DESCRIPTION**

FIG. 1 is a front view of a bicycle showing the claimed design;

FIG. 2 is a rear view thereof;

FIG. 3 is a left side view thereof;

FIG. 4 is a right side view thereof;

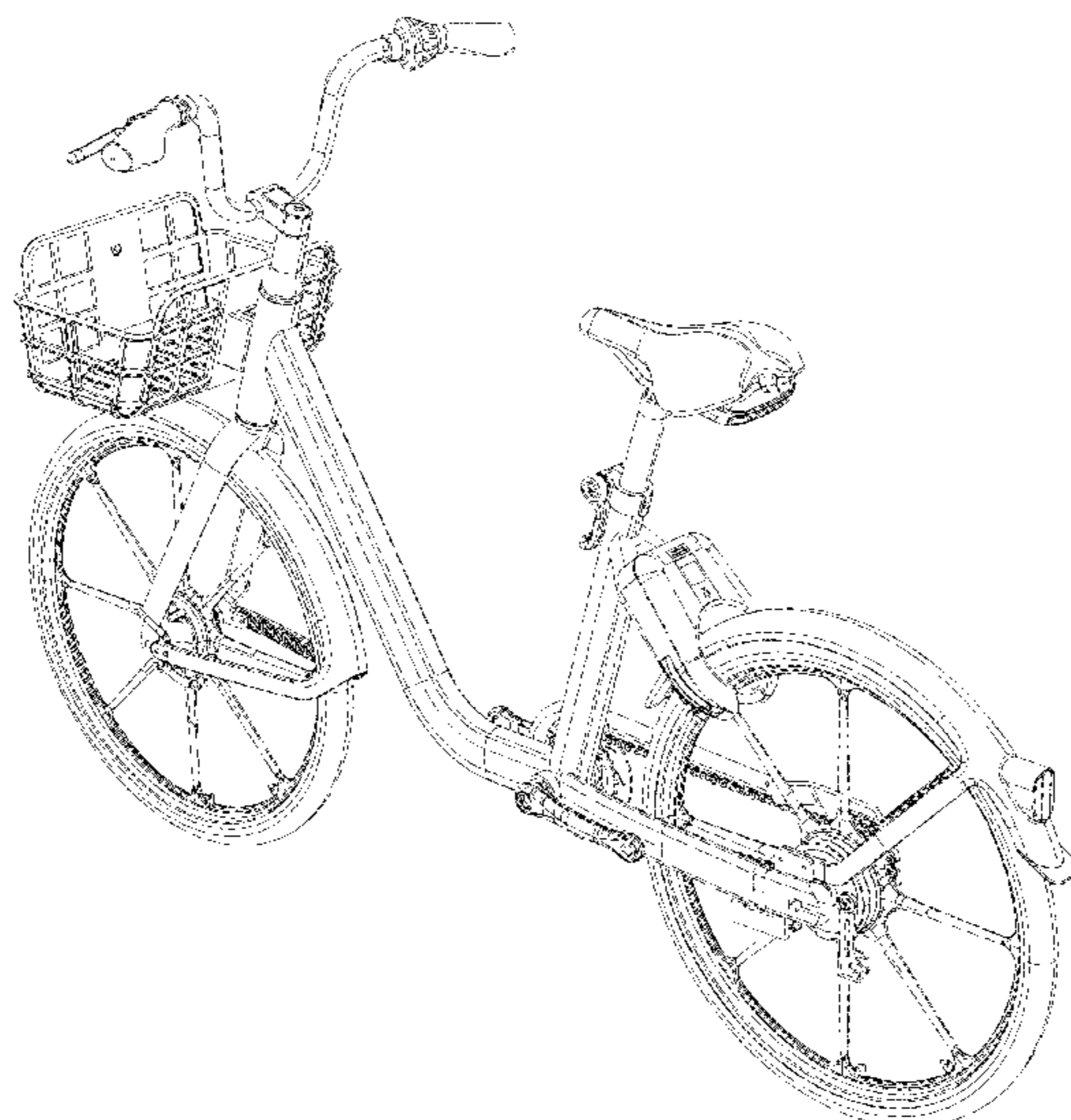
FIG. 5 is a top view thereof;

FIG. 6 is a bottom view thereof;

FIG. 7 is a top rear perspective view thereof; and,

FIG. 8 is a top front perspective view thereof.

**1 Claim, 8 Drawing Sheets**



(56)

**References Cited**

U.S. PATENT DOCUMENTS

2011/0115193 A1\* 5/2011 Giroux ..... B62K 19/36  
280/281.1

\* cited by examiner

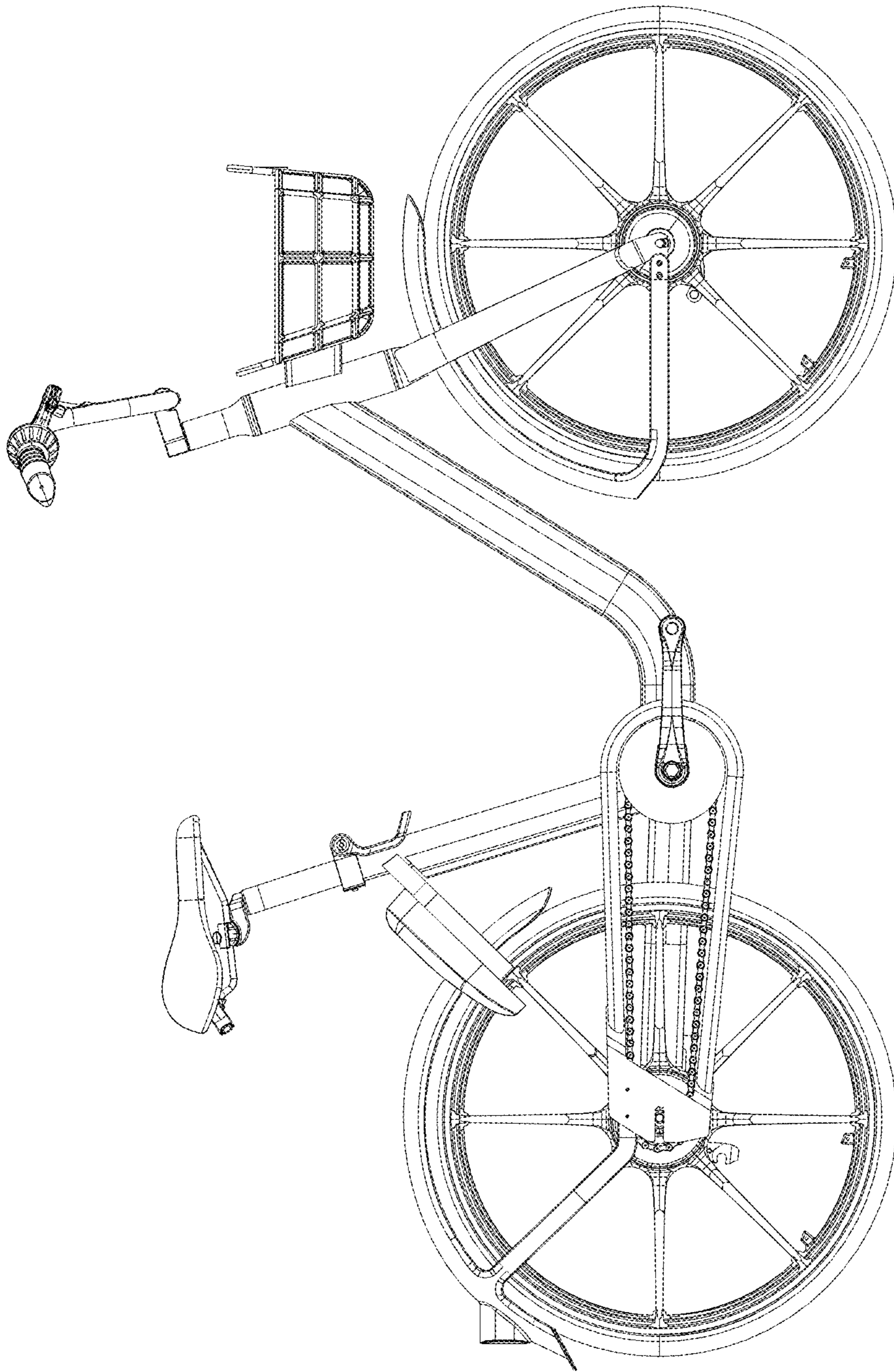


FIG. 1



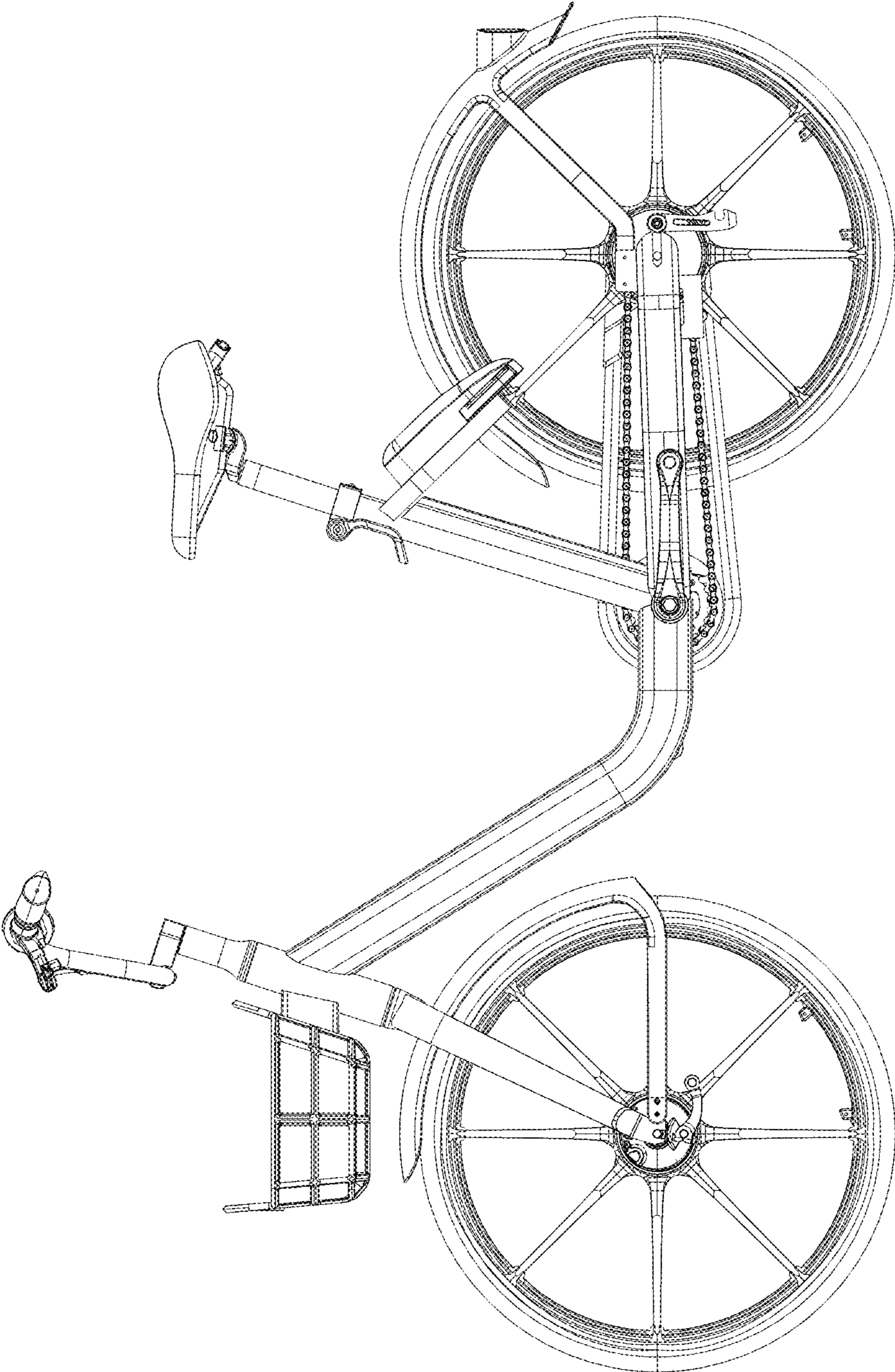


FIG. 2

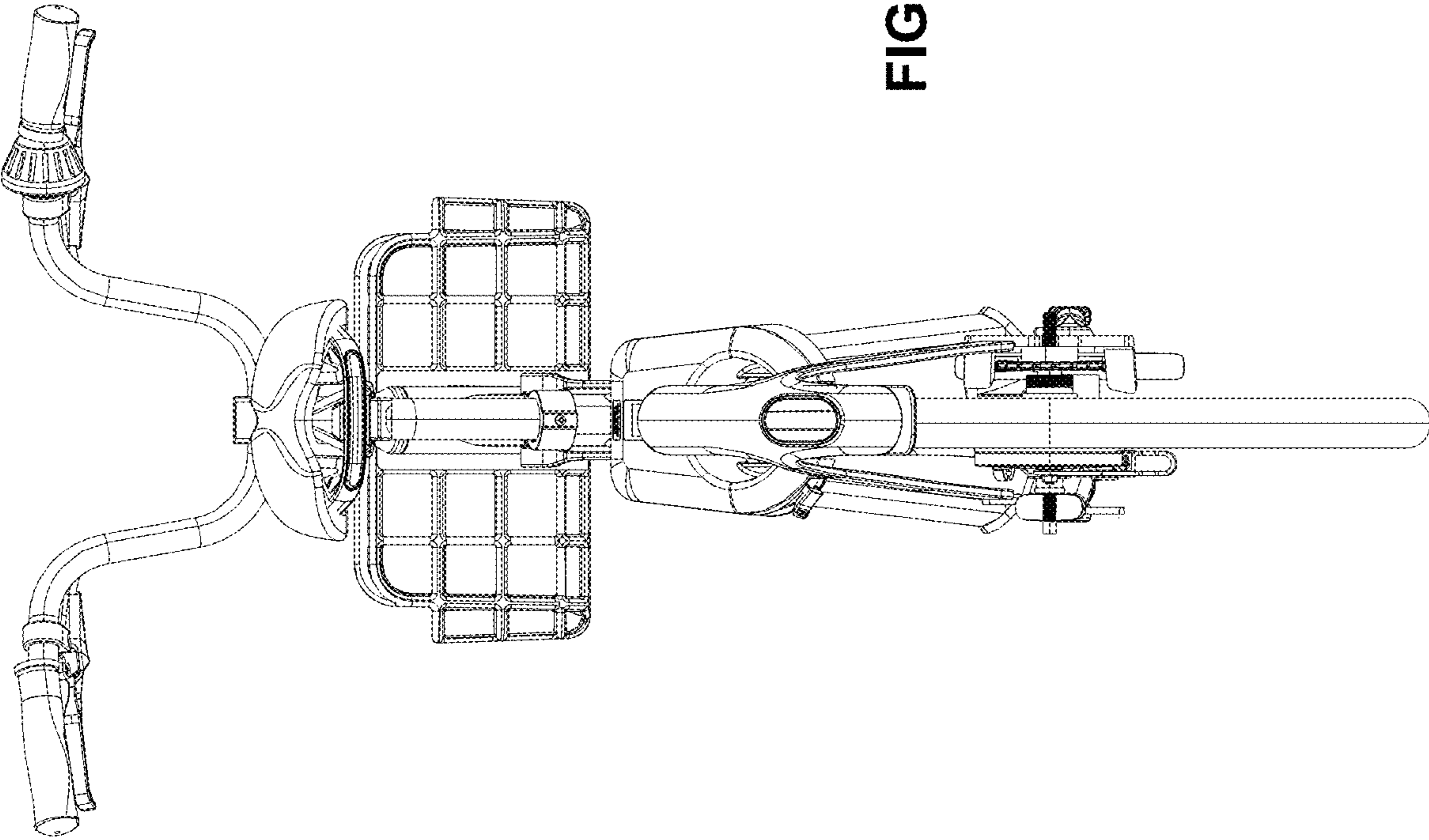


FIG. 3

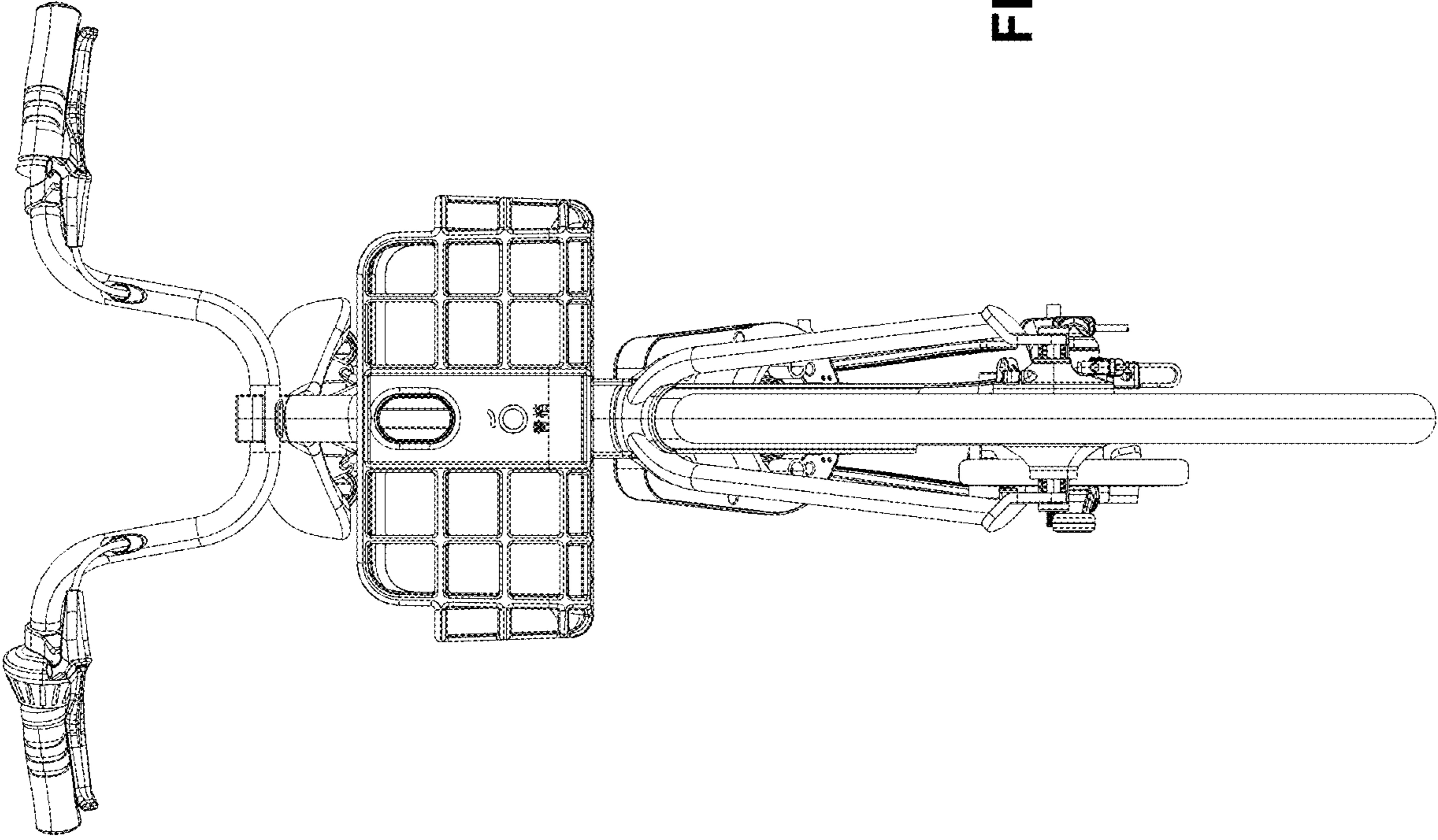


FIG. 4

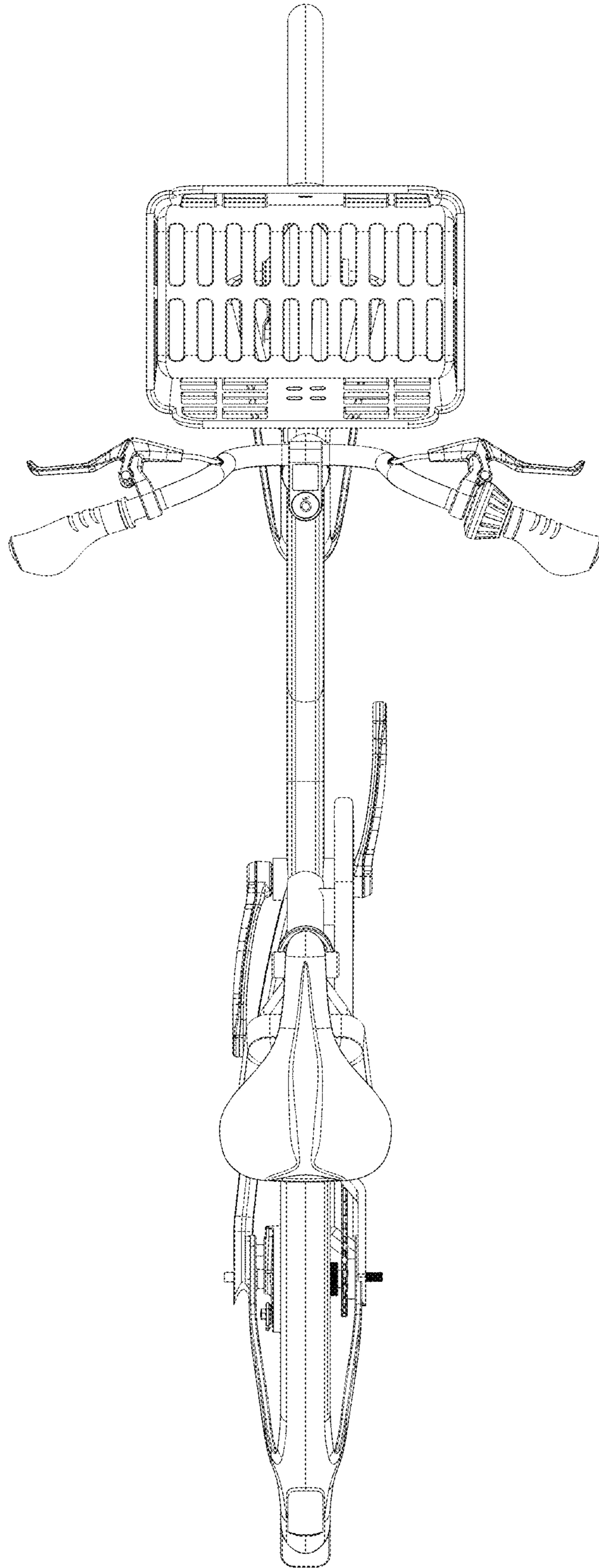


FIG. 5



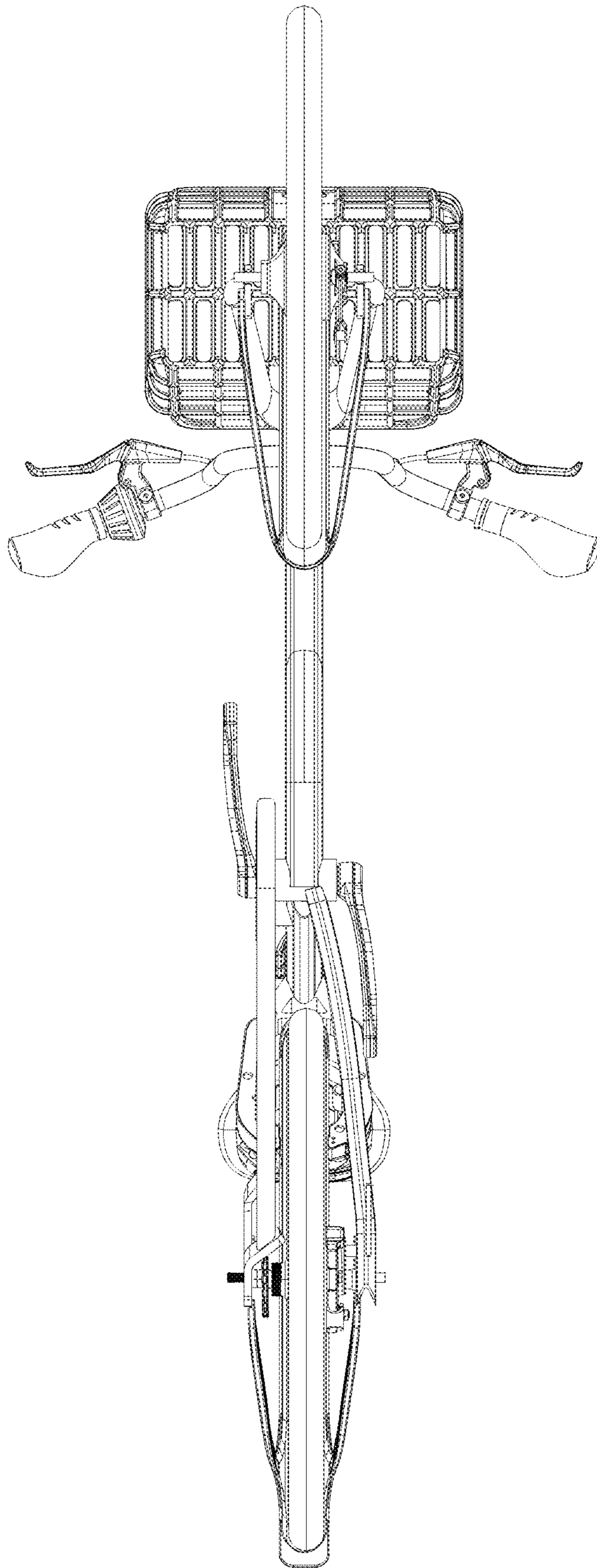


FIG. 6



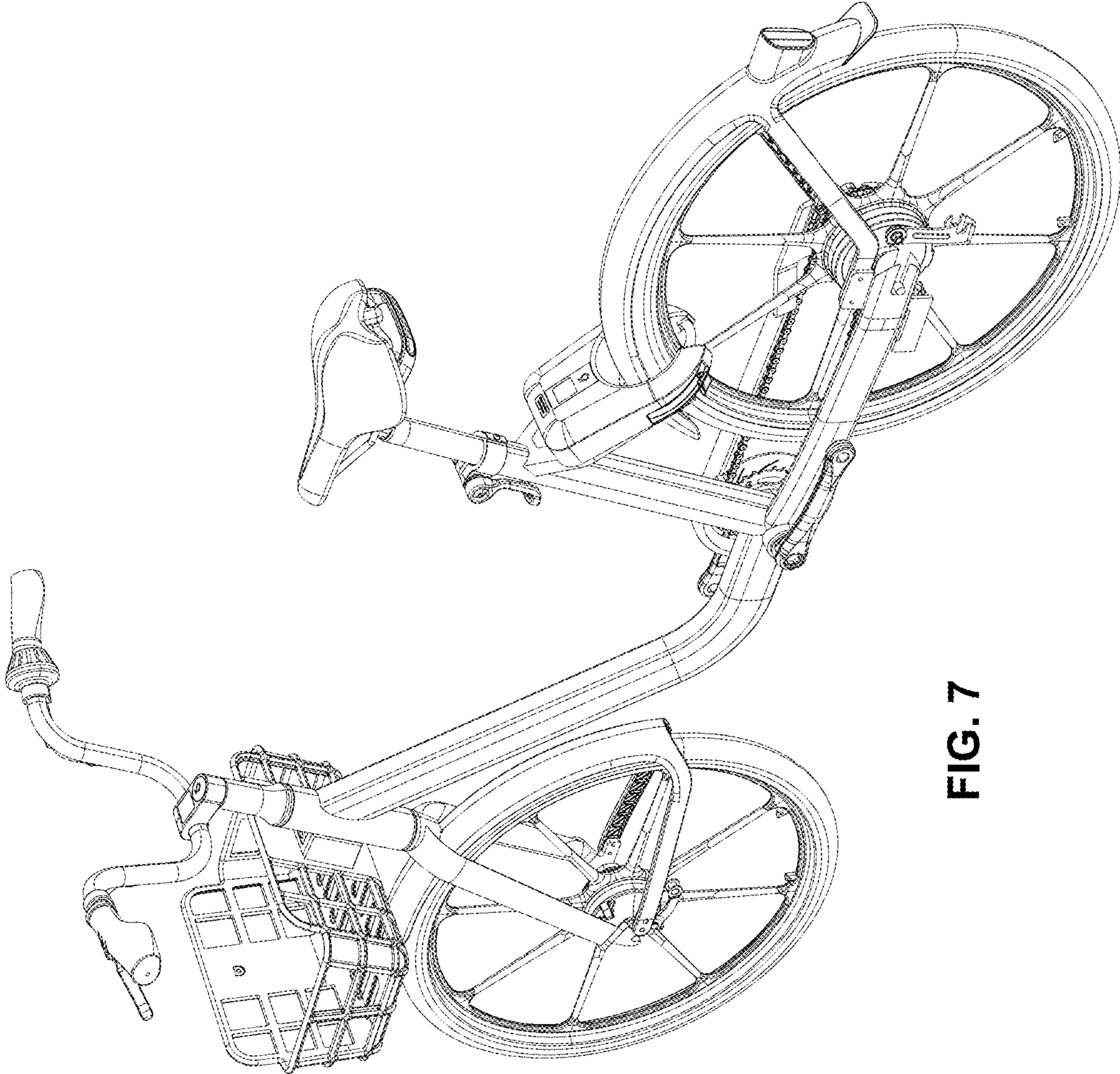


FIG. 7

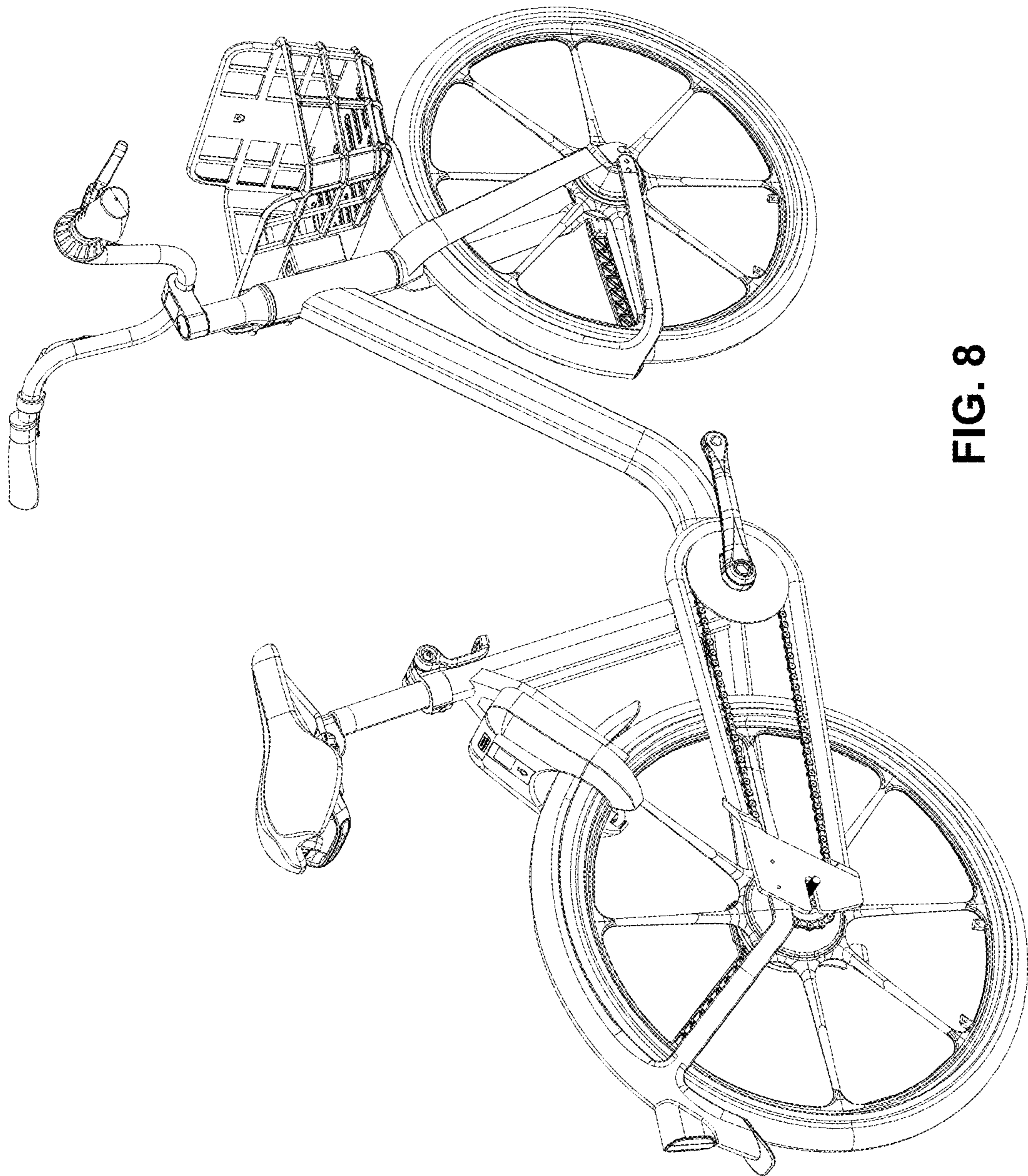


FIG. 8