



US00D915241S

(12) **United States Design Patent** (10) **Patent No.:** **US D915,241 S**
Badstuebner et al. (45) **Date of Patent:** **** Apr. 6, 2021**

(54) **VEHICLE, TOY, AND/OR REPLICAS THEREOF**

(71) Applicant: **Daimler AG**, Stuttgart (DE)

(72) Inventors: **Achim-Dietrich Badstuebner**, Munich (DE); **Carsten Guenther**, Boeblingen (DE); **Robert Lesnik**, Leonberg (DE); **Gorden Wagener**, Gaeufelden (DE)

(73) Assignee: **Daimler AG**, Stuttgart (DE)

(**) Term: **15 Years**

(21) Appl. No.: **29/720,153**

(22) Filed: **Jan. 10, 2020**

(51) **LOC (13) Cl.** **12-08**

(52) **U.S. Cl.**
USPC **D12/92**

(58) **Field of Classification Search**
USPC D12/86, 90-92, 88, 164; D21/424, 433, D21/434, 533; 296/181.1-181.5, 183.1
CPC B62D 25/00; B62D 25/06; B62D 33/00; B62D 35/00
See application file for complete search history.

(56) **References Cited**

U.S. PATENT DOCUMENTS

D702,156 S *	4/2014	Futschik	D12/164
D703,112 S *	4/2014	Futschik	D12/164
D703,113 S *	4/2014	Futschik	D12/164
D703,584 S *	4/2014	Futschik	D12/92
D703,590 S *	4/2014	Futschik	D12/164
D710,258 S	8/2014	Futschik et al.	
D711,790 S	8/2014	Futschik et al.	
D711,791 S	8/2014	Futschik et al.	
D757,611 S *	5/2016	Lesnik	D12/92

D769,774 S *	10/2016	Lesnik	D12/92
D813,726 S *	3/2018	Tanghe	D12/91
D813,727 S *	3/2018	Beermann	D12/92
D821,919 S *	7/2018	Simm	D12/91
D825,383 S *	8/2018	Luk	D12/91
D825,390 S *	8/2018	Al Attar	D12/92
D826,783 S *	8/2018	Badstuebner	D12/92
D827,497 S *	9/2018	Frei	D12/91
D827,514 S *	9/2018	Badstuebner	D12/164
D831,540 S *	10/2018	Buckingham	D12/92
D836,490 S *	12/2018	Futschik	D12/92
D837,692 S *	1/2019	Badstuebner	D12/91
D862,287 S *	10/2019	Badstuebner	D12/91
D873,715 S *	1/2020	Badstuebner	D12/91
D873,716 S *	1/2020	Badstuebner	D12/91
D886,679 S *	6/2020	Hellwig	D12/91
D888,623 S *	6/2020	Vidojkovic	D12/164
D908,885 S *	1/2021	Lockenwitz	D24/174

* cited by examiner

Primary Examiner — Melody N Brown

(74) *Attorney, Agent, or Firm* — Crowell & Moring LLP

(57) **CLAIM**

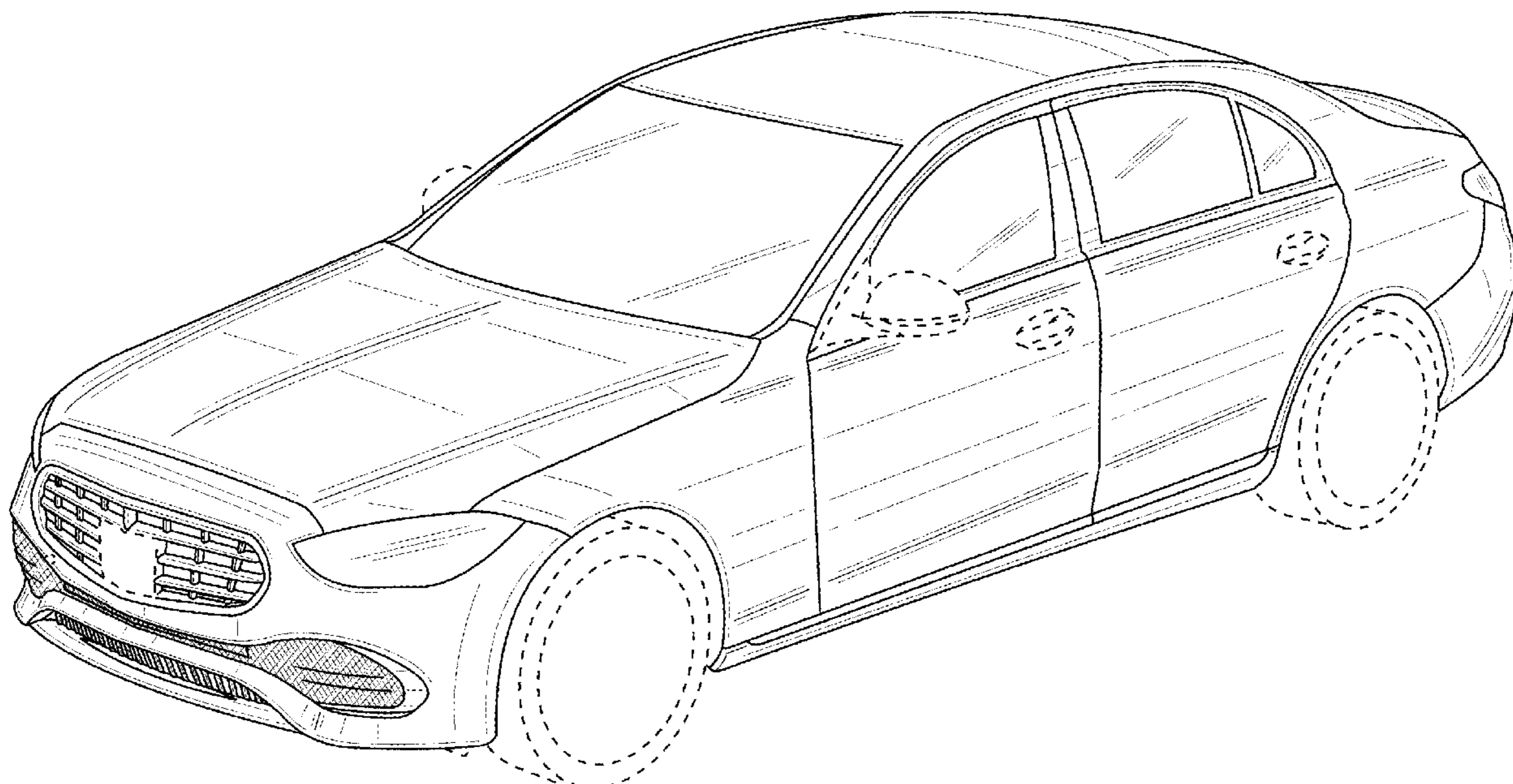
The ornamental design for a vehicle, toy, and/or replicas thereof, as shown and described.

DESCRIPTION

FIG. 1 is a left, front perspective view of a vehicle, toy, and/or replicas thereof according to the design;
FIG. 2 is a left, rear perspective view thereof;
FIG. 3 is a front view thereof;
FIG. 4 is a rear view thereof;
FIG. 5 is a left side view thereof;
FIG. 6 is a right side view thereof; and,
FIG. 7 is a top view thereof.

The broken lines in the drawings illustrate environmental subject matter only and form no part of the claimed design.

1 Claim, 7 Drawing Sheets



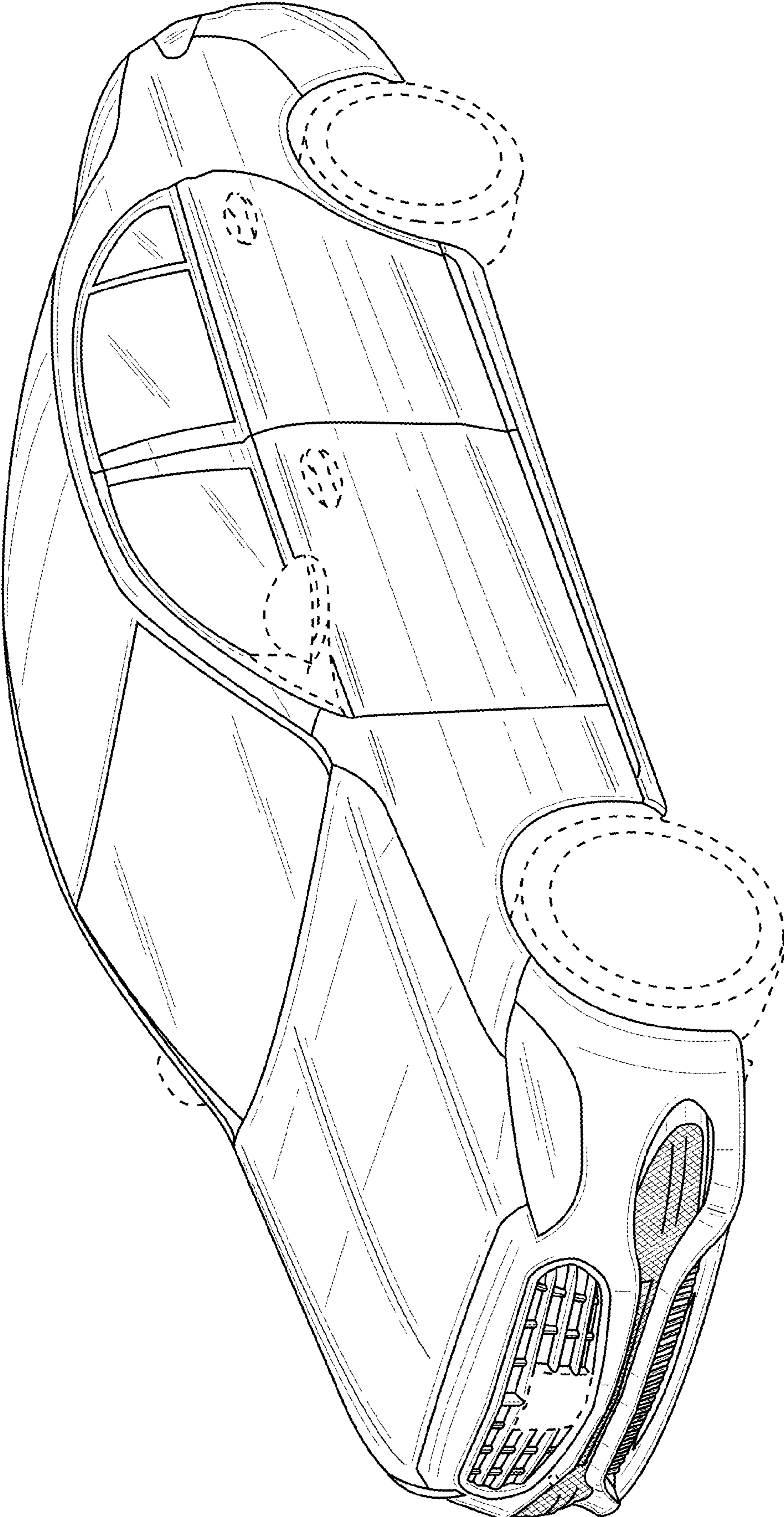


FIG. 1

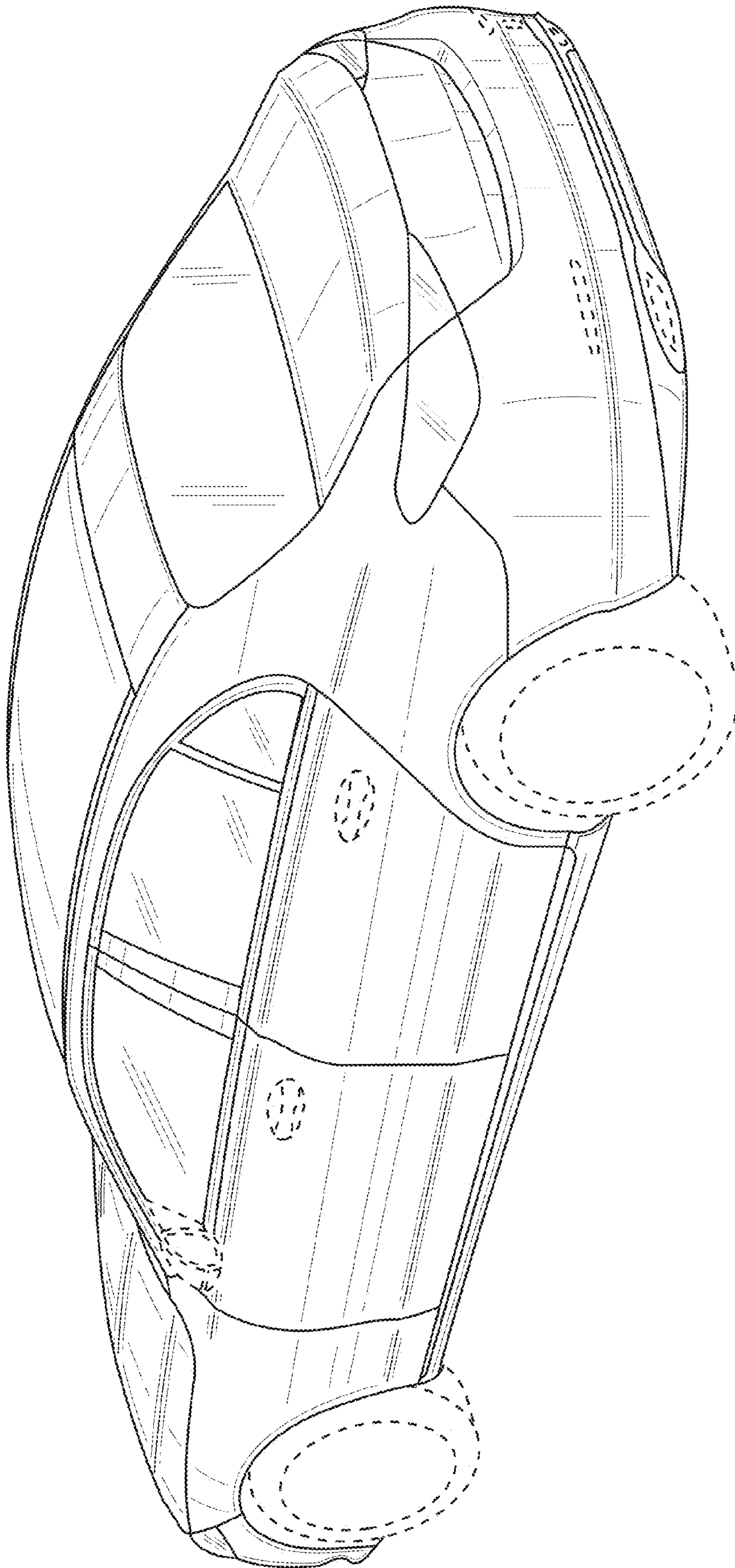


FIG. 2

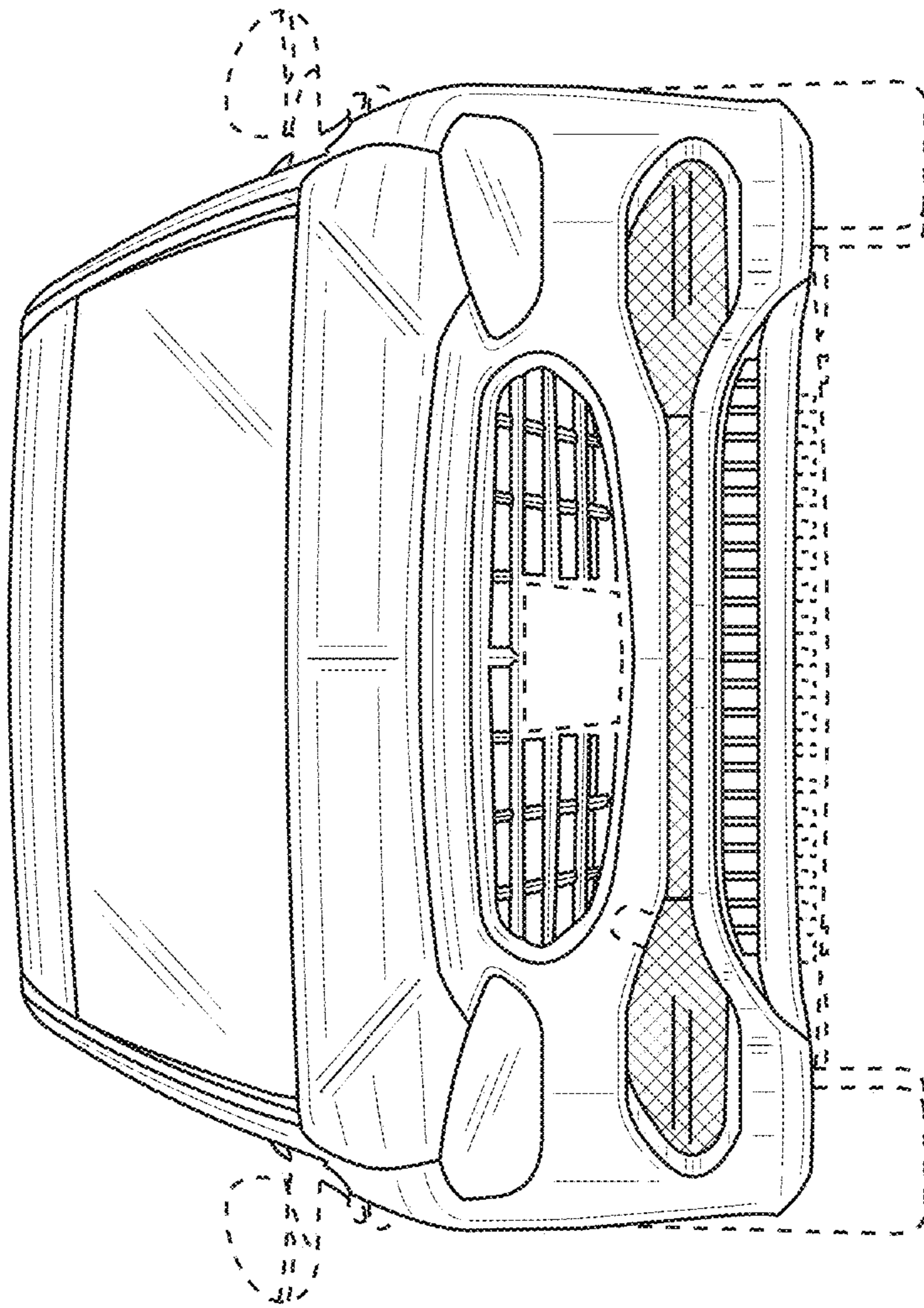


FIG. 3

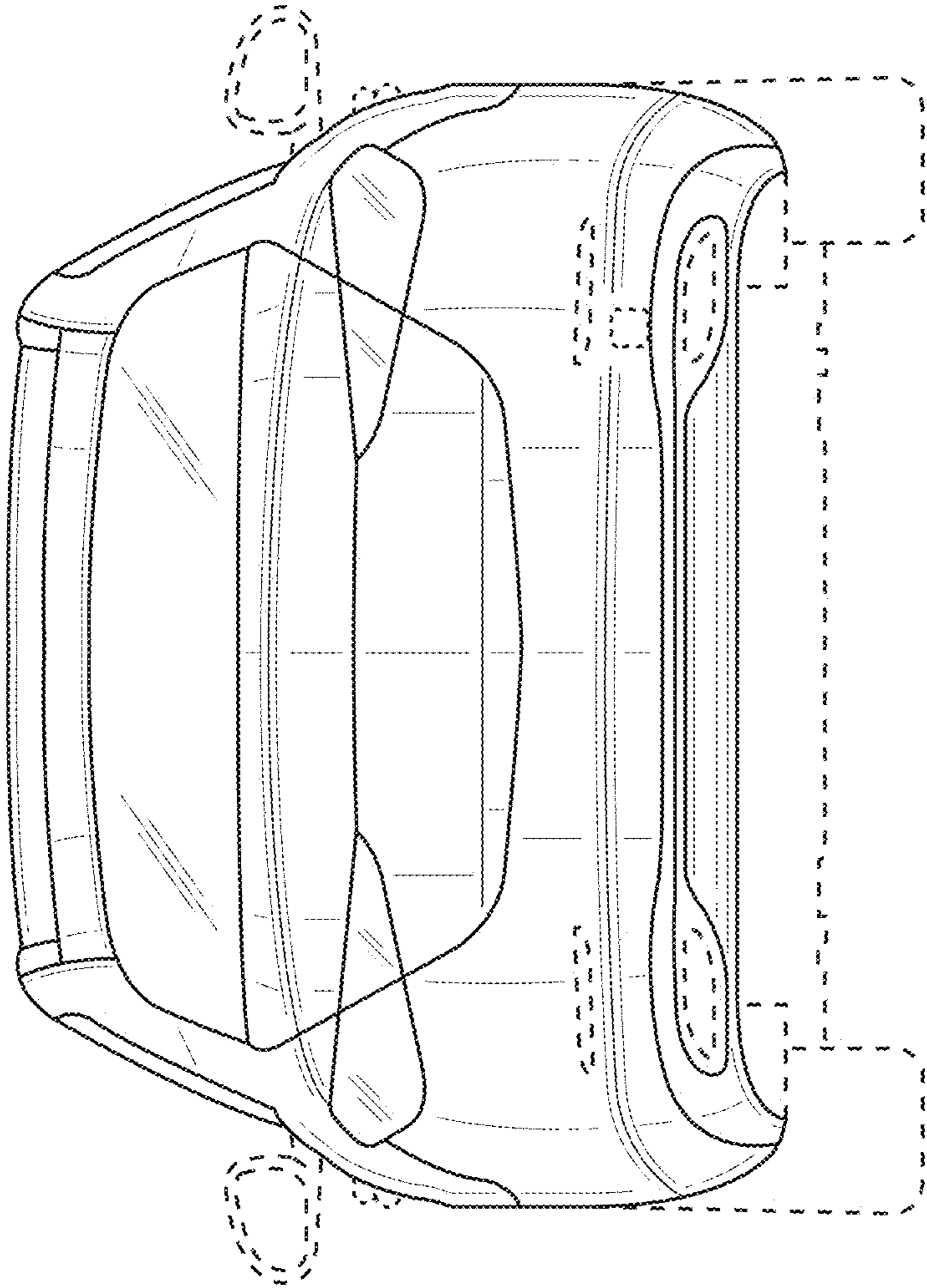


FIG. 4

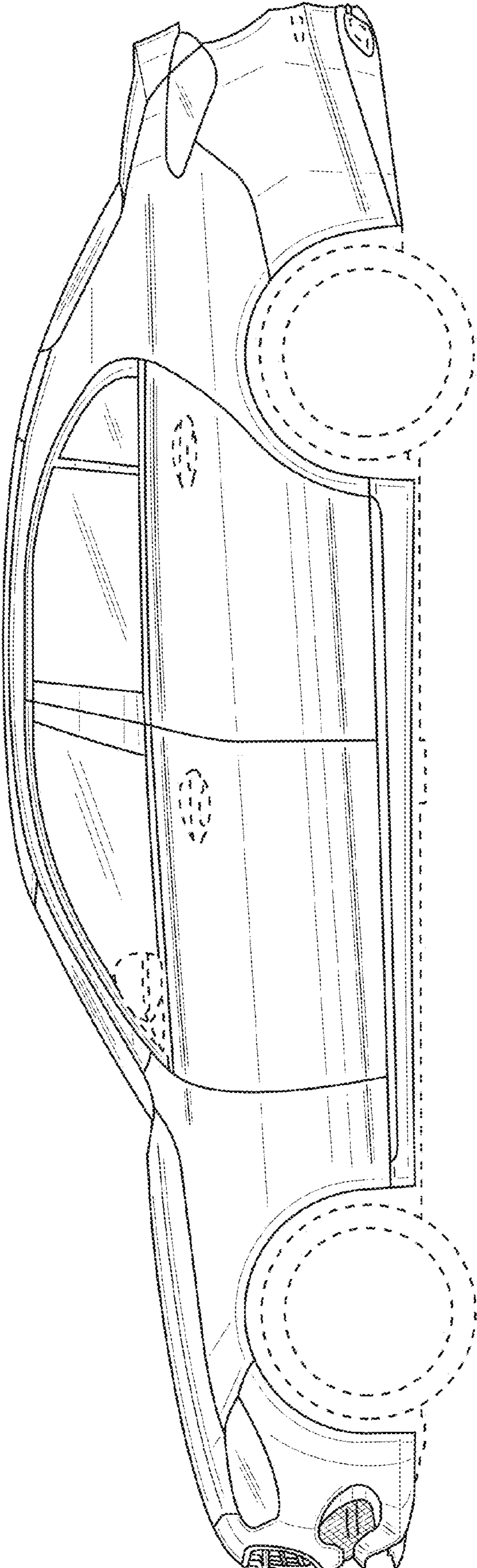


FIG. 5

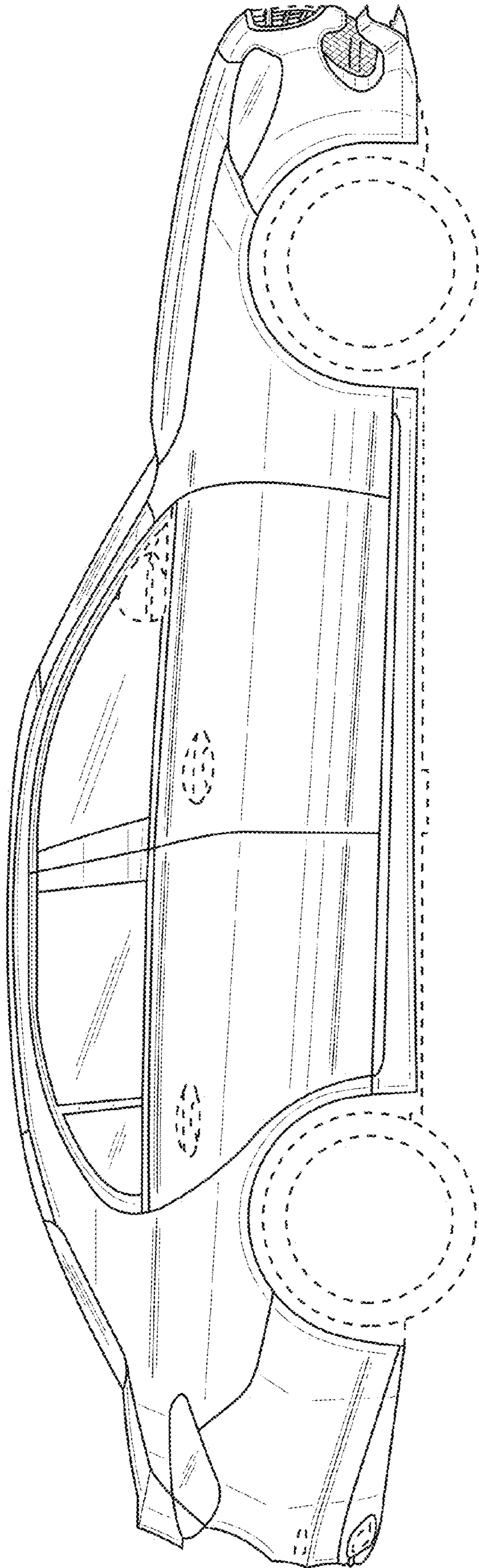


FIG. 6

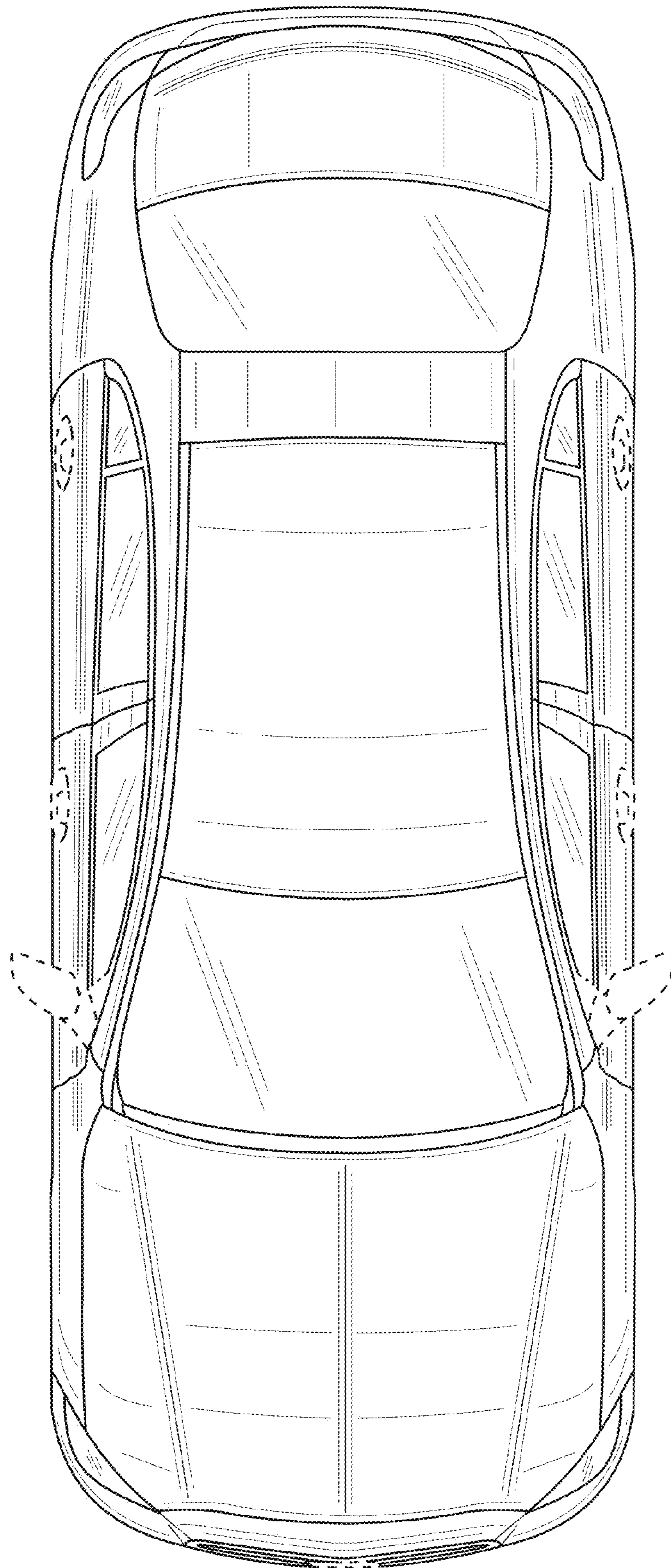


FIG. 7