



US00D915239S

(12) **United States Design Patent** (10) **Patent No.:** **US D915,239 S**
Cattabriga et al. (45) **Date of Patent:** **** Apr. 6, 2021**

(54) **CAR WITH SURFACE ORNAMENTATION**

- (71) Applicant: **FERRARI S.p.A.**, Modena (IT)
- (72) Inventors: **Adalberto Cattabriga**, Modena (IT);
Matteo Biancalana, Modena (IT);
Luca Zanetti, Modena (IT)
- (73) Assignee: **FERRARI S.p.A.**, Modena (IT)
- (**) Term: **15 Years**
- (21) Appl. No.: **35/507,535**
- (22) Filed: **Mar. 14, 2019**
- (80) **Hague Agreement Data**
Int. Filing Date: **Mar. 14, 2019**
Int. Reg. No.: **DM/203517**
Int. Reg. Date: **Mar. 14, 2019**
Int. Reg. Pub. Date: **Oct. 25, 2019**

(30) **Foreign Application Priority Data**

Sep. 14, 2018 (EM) 005641040

(51) **LOC (13) Cl.** **12-08**

(52) **U.S. Cl.**
USPC **D12/86**

(58) **Field of Classification Search**
USPC D12/86, 88, 90-92, 184, 196; D21/424,
D21/433, 434, 533, 548
CPC B62D 25/00; B62D 25/02; B62D 25/06;
B62D 35/00; B62D 35/005; B60J 5/04
See application file for complete search history.

(56) **References Cited**

U.S. PATENT DOCUMENTS

- D515,486 S * 2/2006 Yokomaku D12/190
- D534,847 S * 1/2007 Yokomaku D12/190
- D617,683 S * 6/2010 Beneggi D12/92
- D710,259 S * 8/2014 Baccino D12/92
- D718,667 S * 12/2014 Manzoni D12/92
- D753,548 S * 4/2016 Gilles D12/88

(Continued)

OTHER PUBLICATIONS

Twitter.com, Crazy Paint Job, twitter post dated Apr. 21, 2015, retrieved Dec. 11, 2020 from <URL:https://twitter.com/WonderfulWhips/status/590607752424218624/photo/1> (Year: 2015).*

(Continued)

Primary Examiner — George D. Kirschbaum

Assistant Examiner — Calvin E Vansant

(74) *Attorney, Agent, or Firm* — Cowan, Liebowitz & Latman, P.C.; Anastasia Zhadina

(57) **CLAIM**

The ornamental design for a car with surface ornamentation, as shown and described.

DESCRIPTION

The patent or application file contains at least one drawing executed in color. Copies of this patent or patent application publication with color drawing(s) will be provided by the Office upon request and payment of the necessary fee.

1.-2. Car with surface ornamentation

1.1 : Front perspective view

1.2 : Rear perspective view

1.3 : Front

1.4 : Back

1.5 : Lateral view

1.6 : Top plan view

1.7 : Bottom

2.1 : Front perspective view

2.2 : Rear perspective view

2.3 : Front

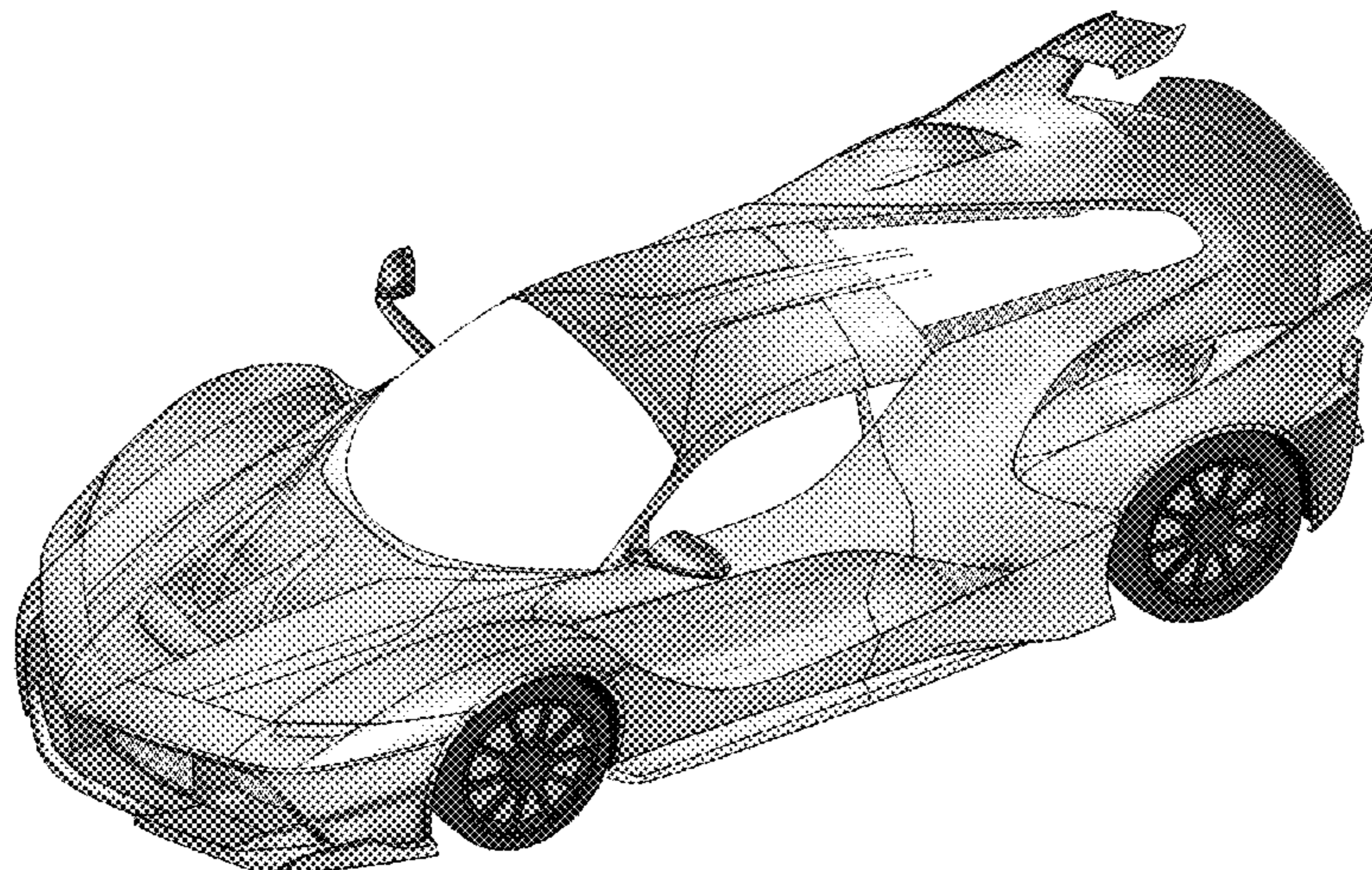
2.4 : Back

2.5 : Lateral view

2.6 : Top plan view

2.7 : Bottom

1 Claim, 14 Drawing Sheets
(7 of 14 Drawing Sheet(s) Filed in Color)



(56)

References Cited

U.S. PATENT DOCUMENTS

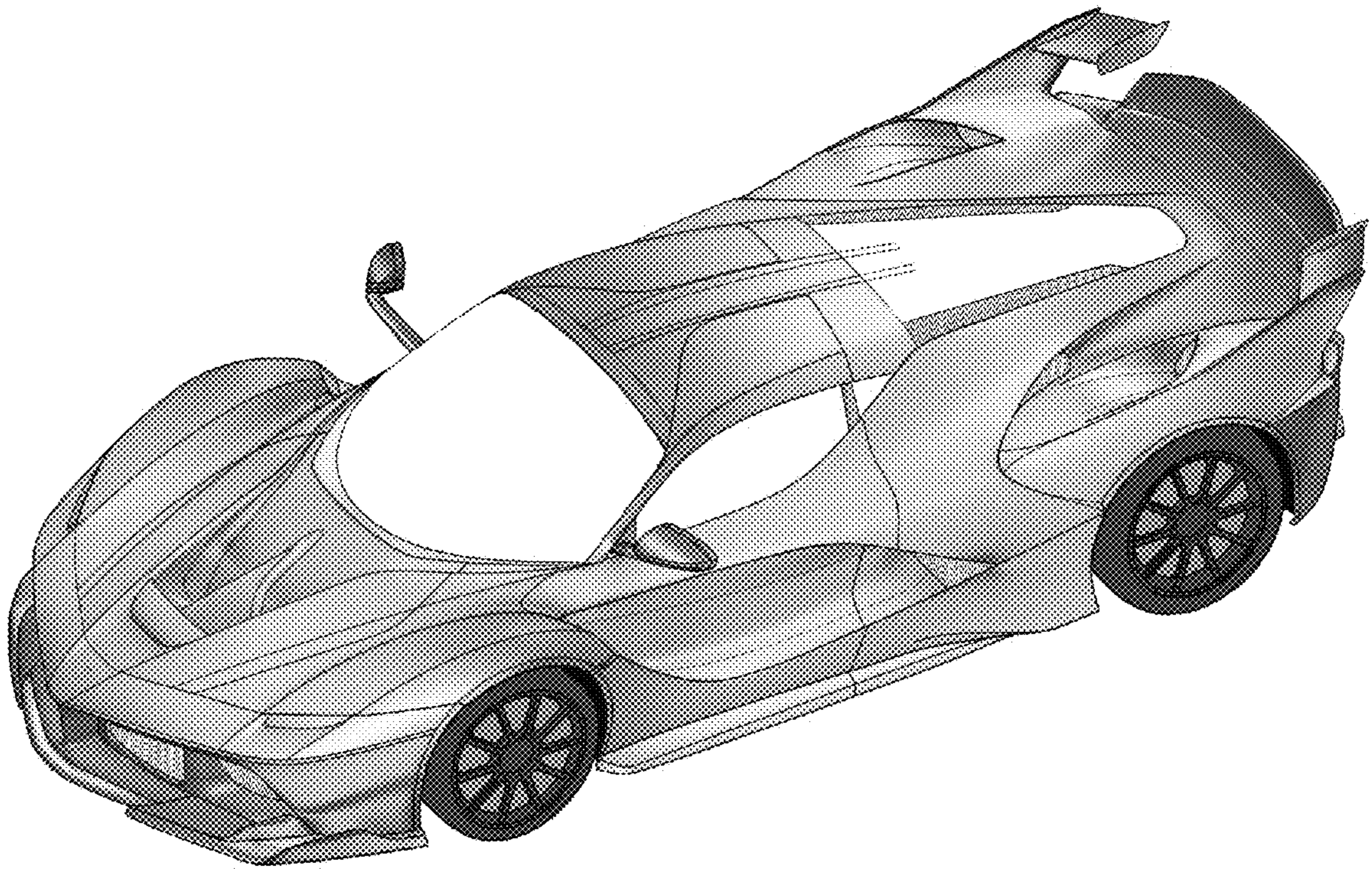
D753,549 S * 4/2016 Manzoni D12/88
D780,063 S * 2/2017 Stephenson D12/88
D813,095 S * 3/2018 Manzoni D12/88
D821,267 S * 6/2018 Borkert D12/92
D823,724 S * 7/2018 Melville D12/92
D826,092 S * 8/2018 Manzoni D12/92
D826,784 S * 8/2018 Hauser D12/92
D833,912 S * 11/2018 Manzoni D12/88
D834,998 S * 12/2018 Manzoni D12/88
D842,787 S * 3/2019 Manzoni D12/196
D868,647 S * 12/2019 Buck D12/169
D873,178 S * 1/2020 Howse D12/92
D881,075 S * 4/2020 Larson D12/92
2019/0009842 A1 * 1/2019 Biancalana B62D 35/007

OTHER PUBLICATIONS

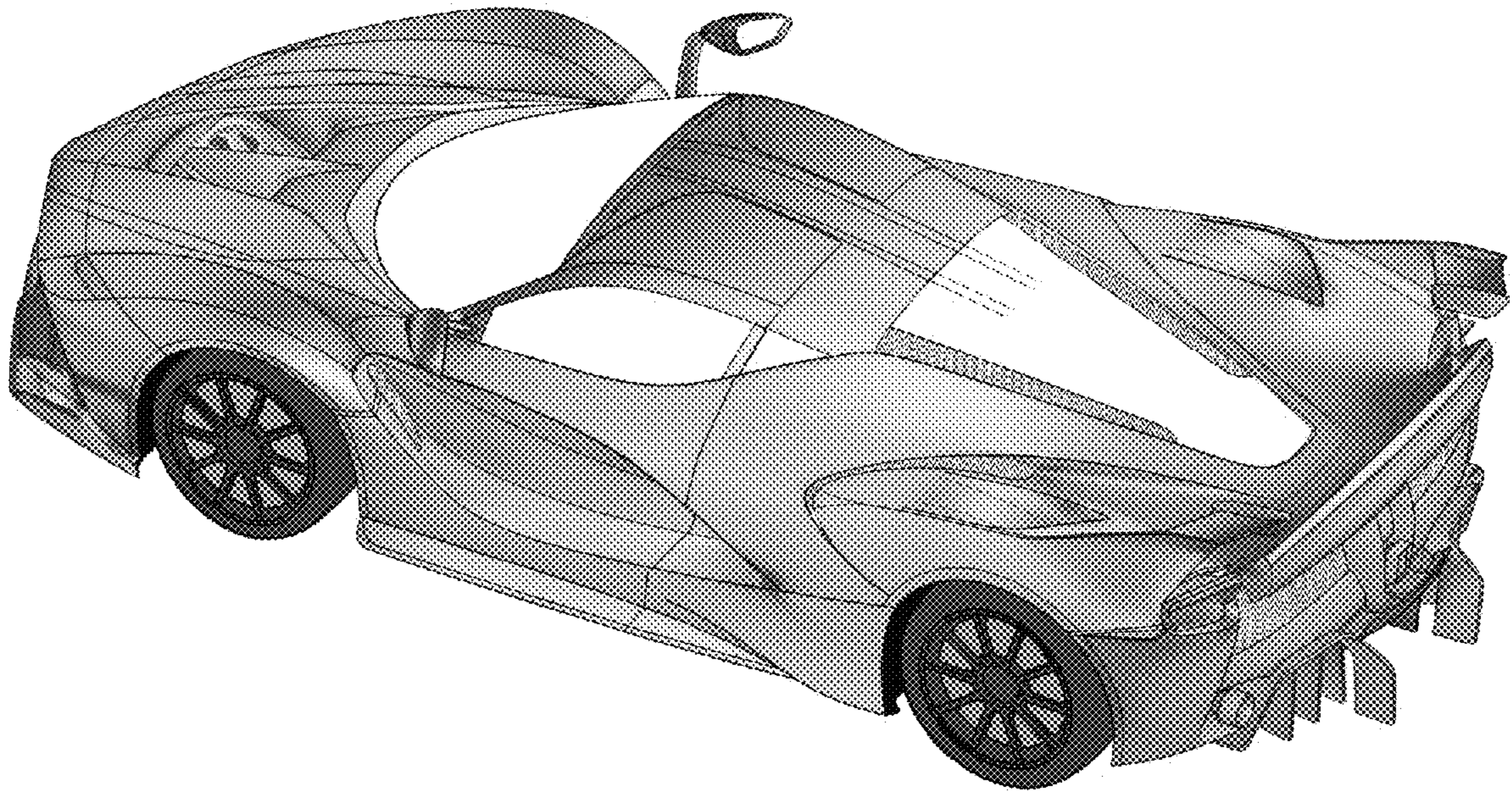
Carbodydesign.com, Volvo researches the emotive power of car design, online industry blog post dated Nov. 28, 2013, retrieved Dec. 11, 2020 from <URL:https://www.carbodydesign.com/2013/11/volvo-researches-the-emotive-power-of-car-design/> (Year: 2013).*

* cited by examiner

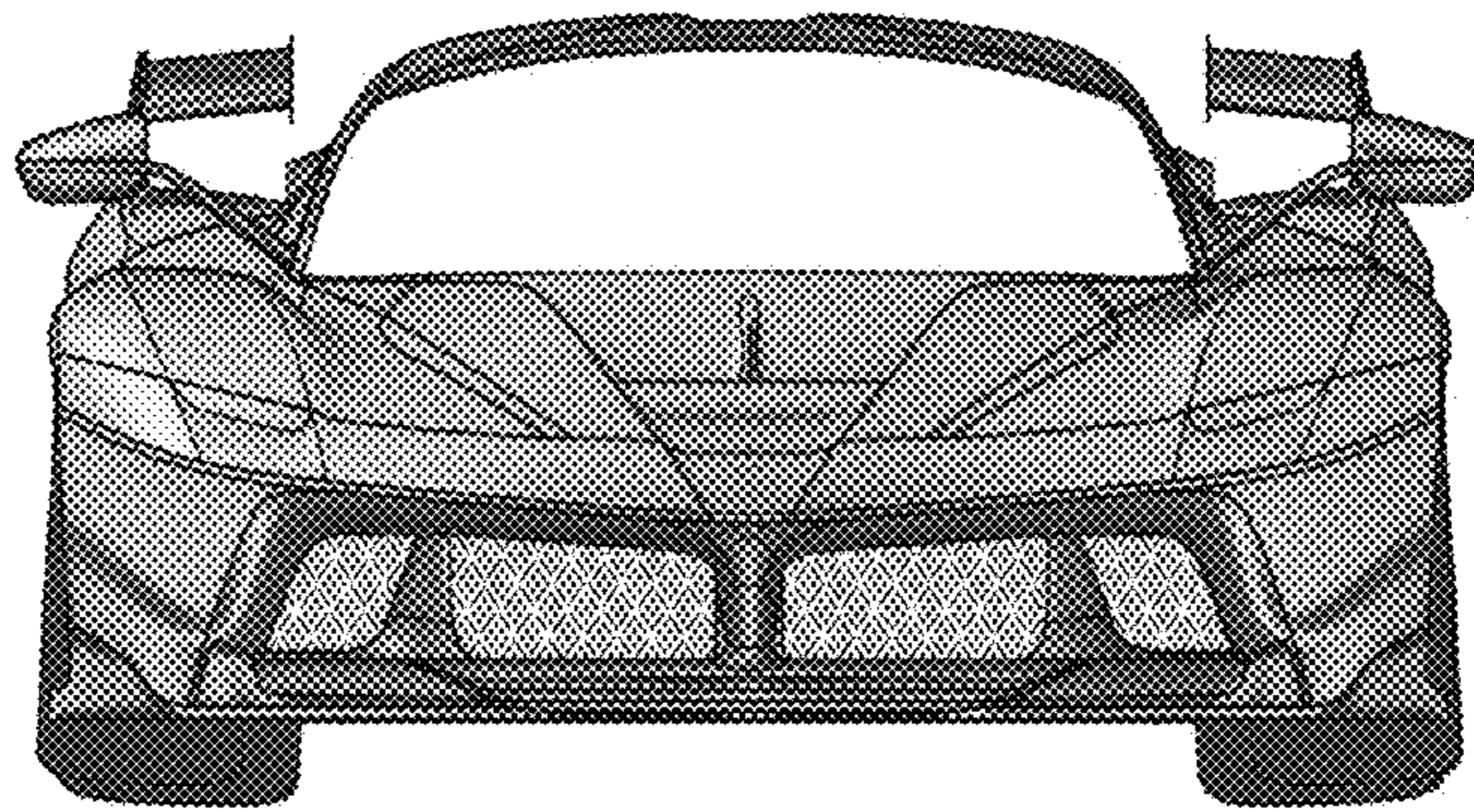
1.1



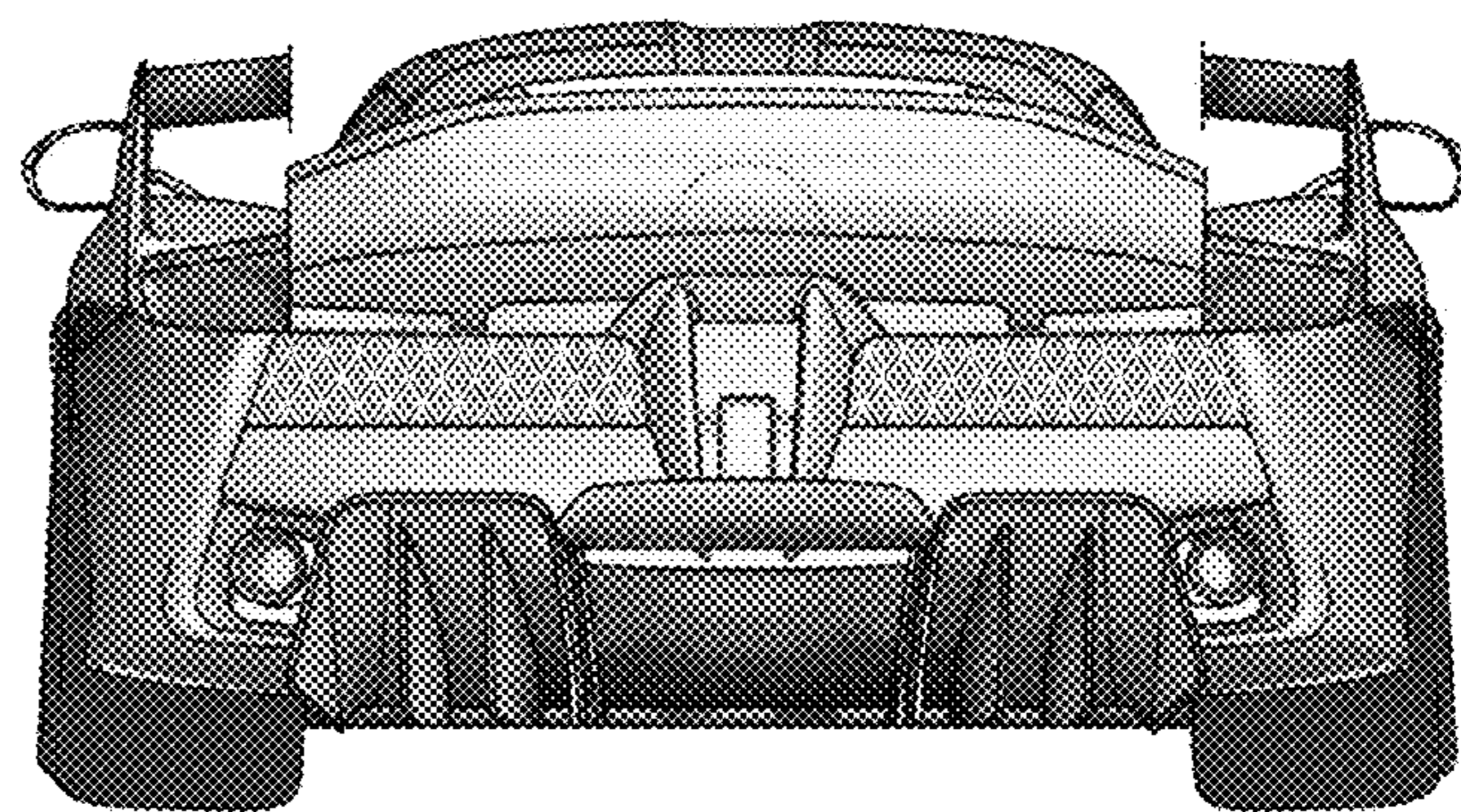
1.2



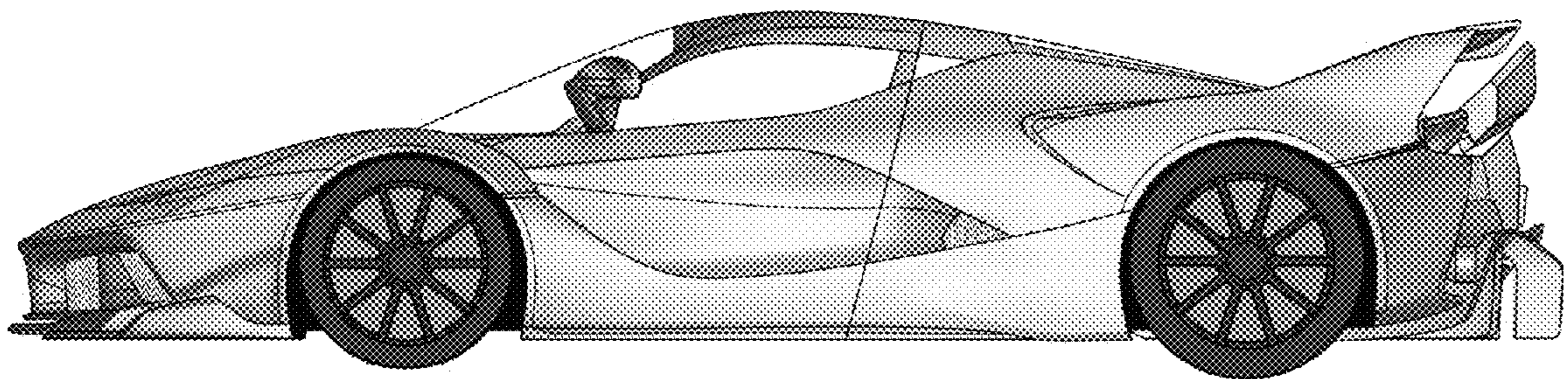
1.3



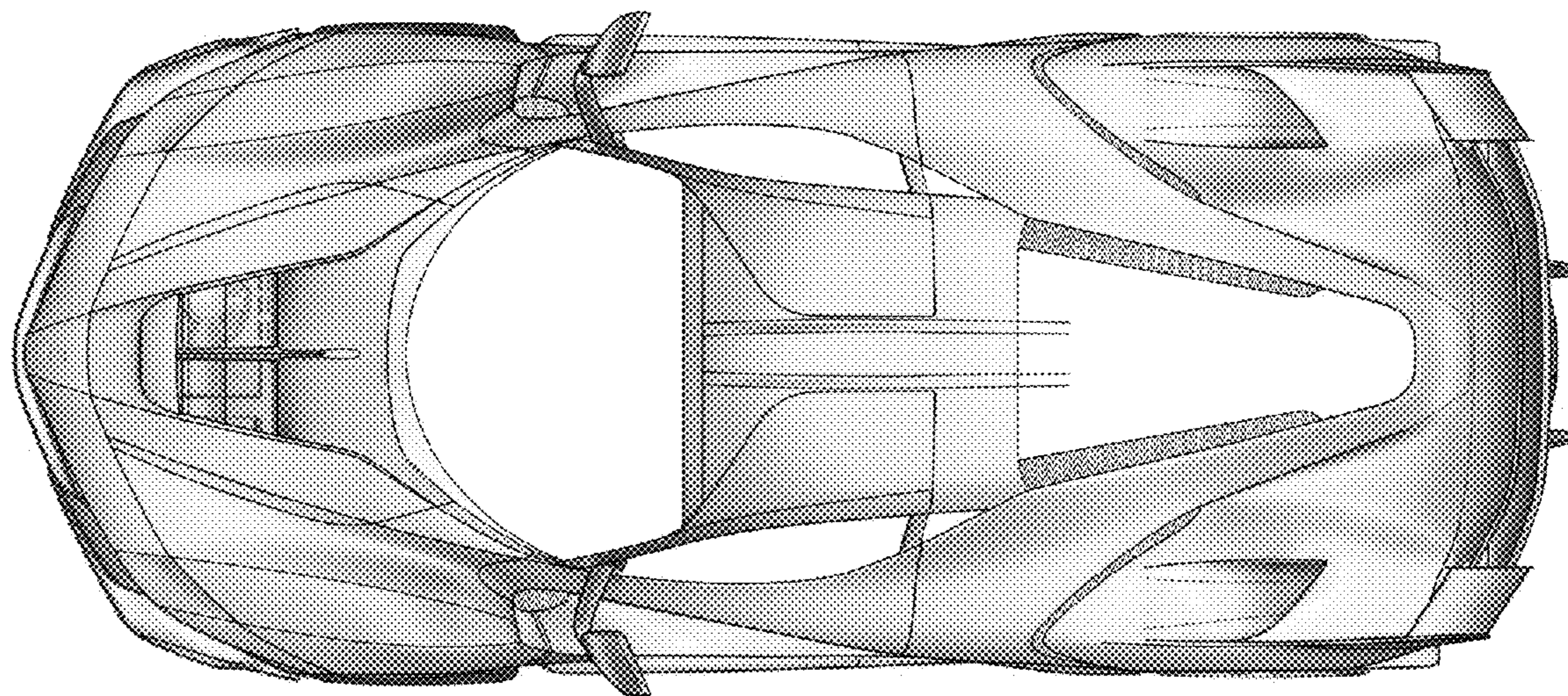
1.4



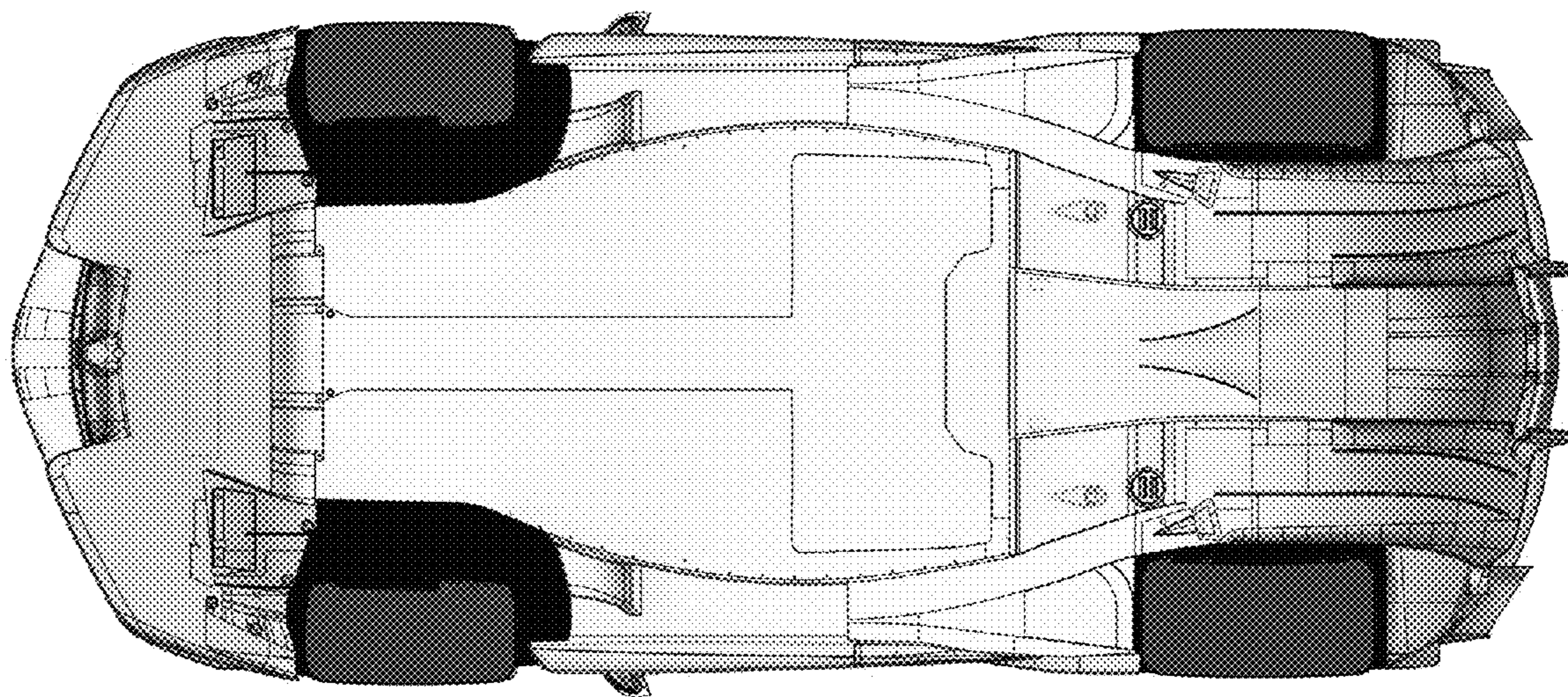
1.5



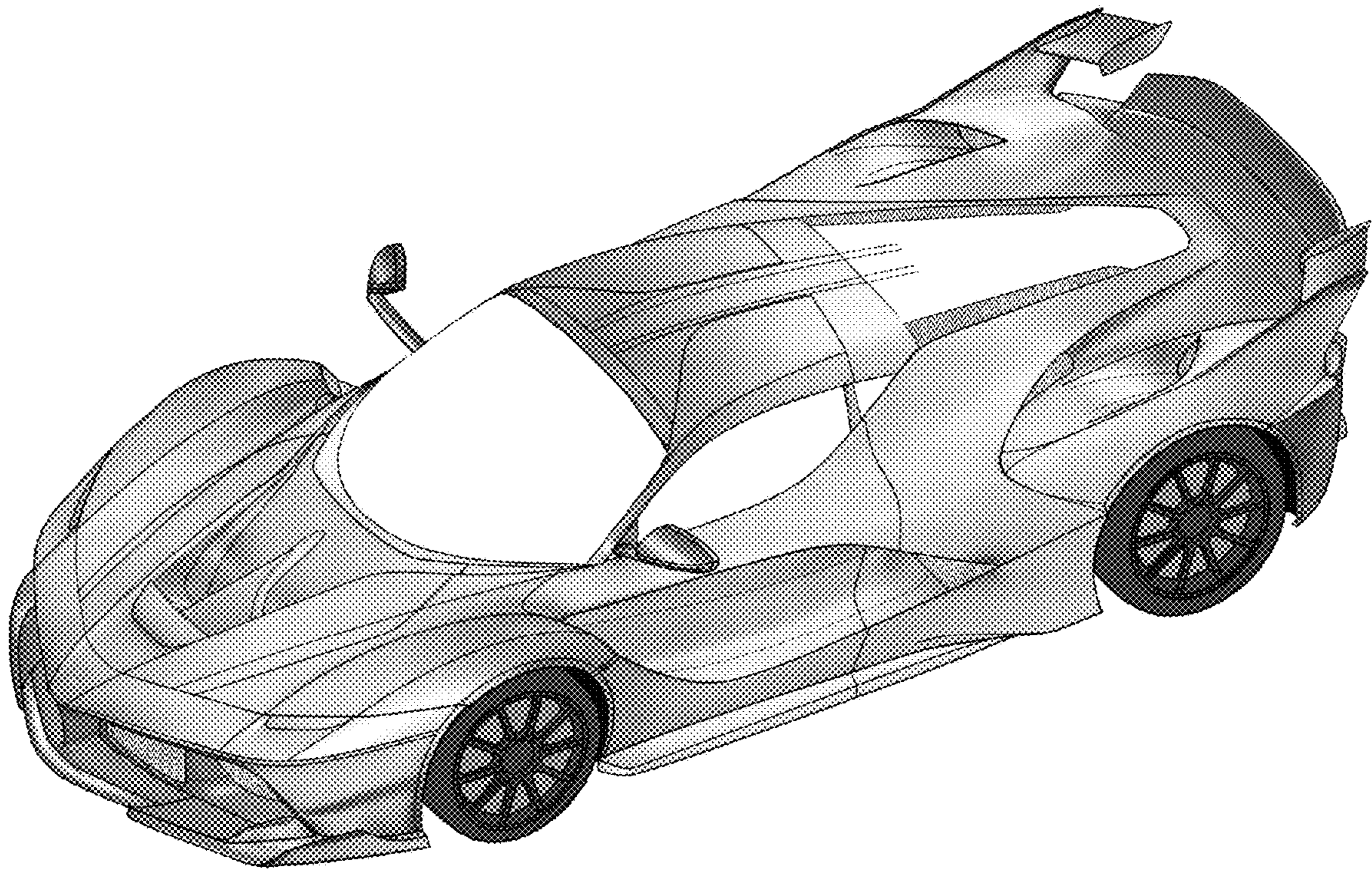
1.6



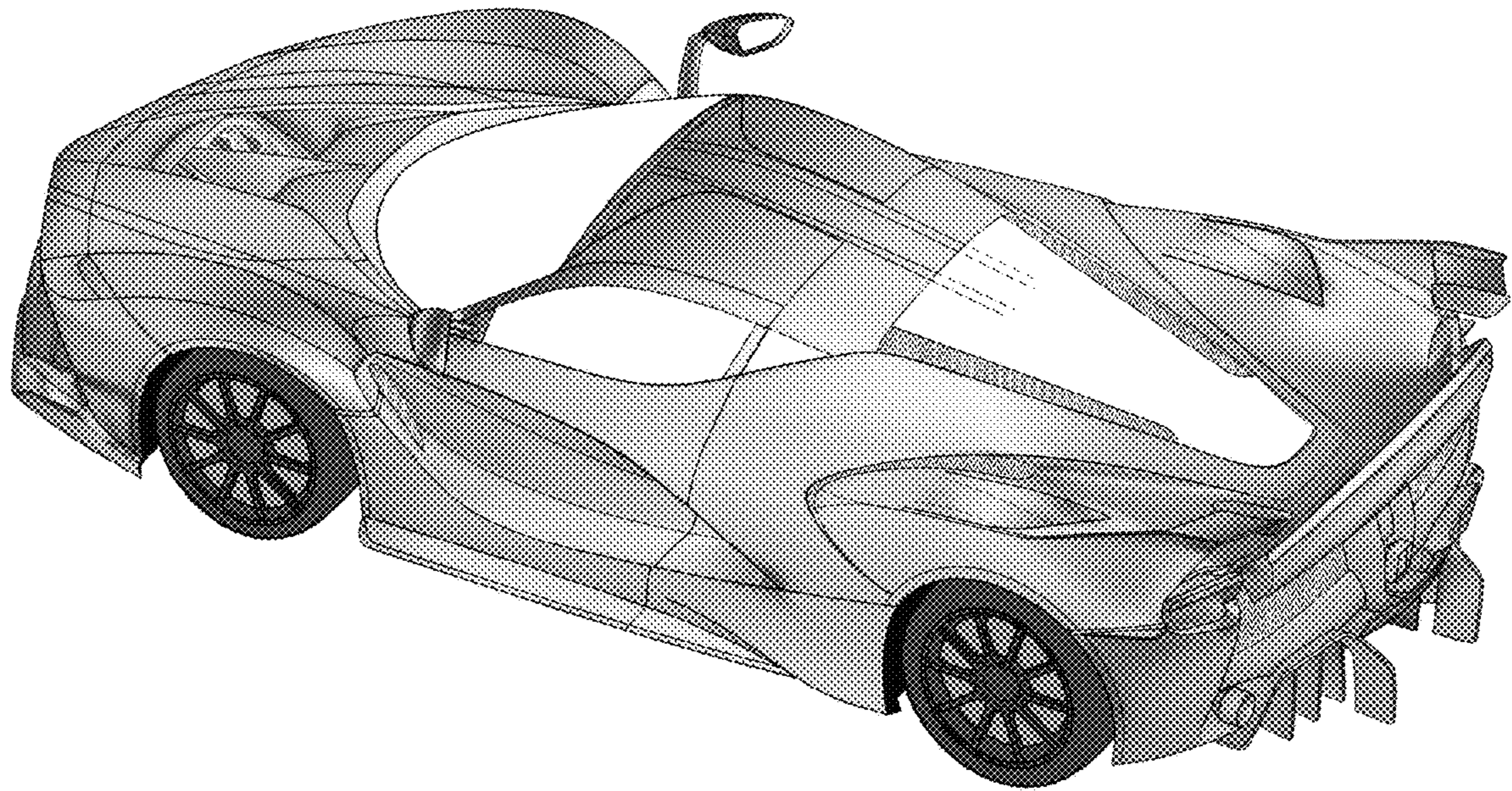
1.7



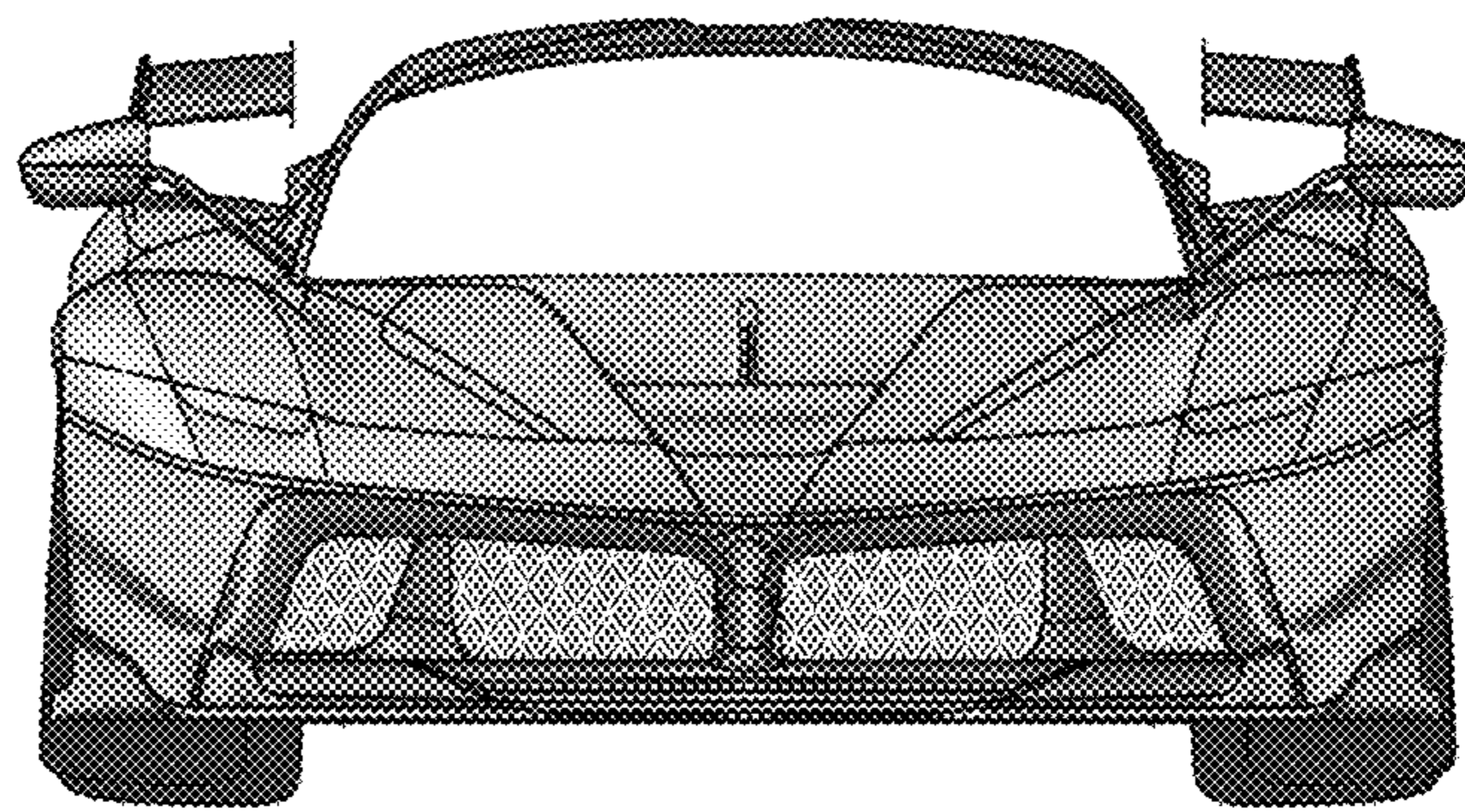
2.1



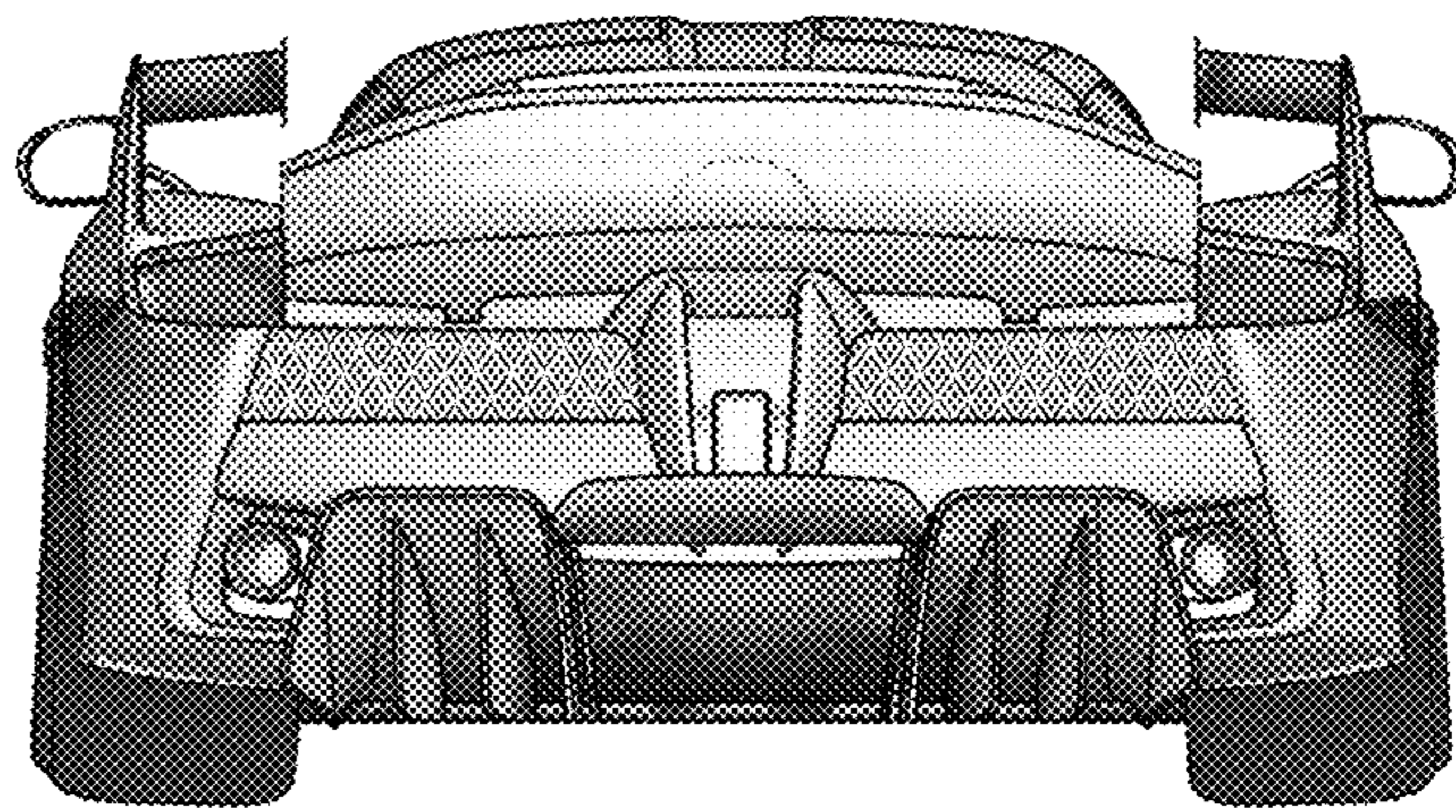
2.2



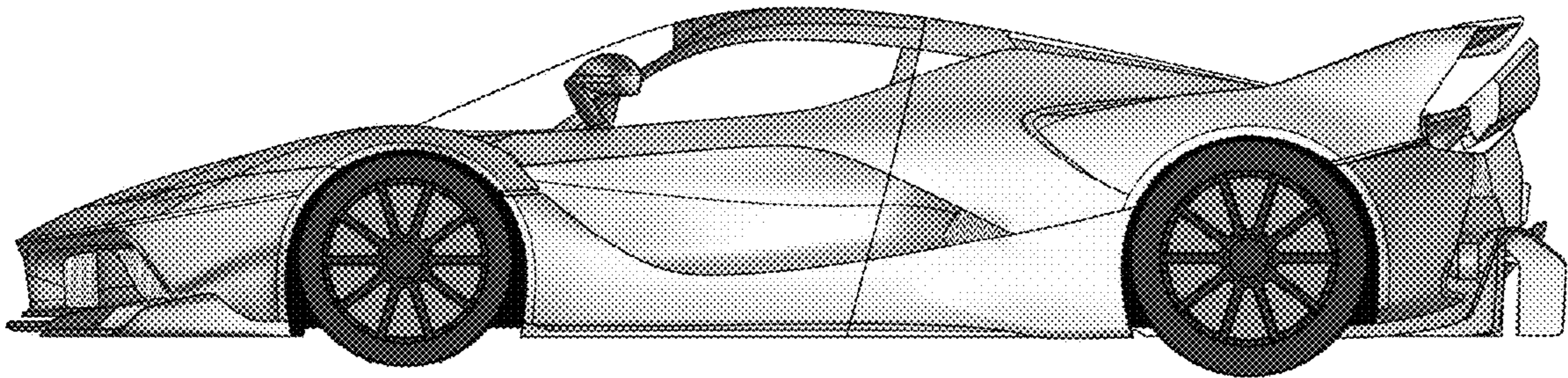
2.3



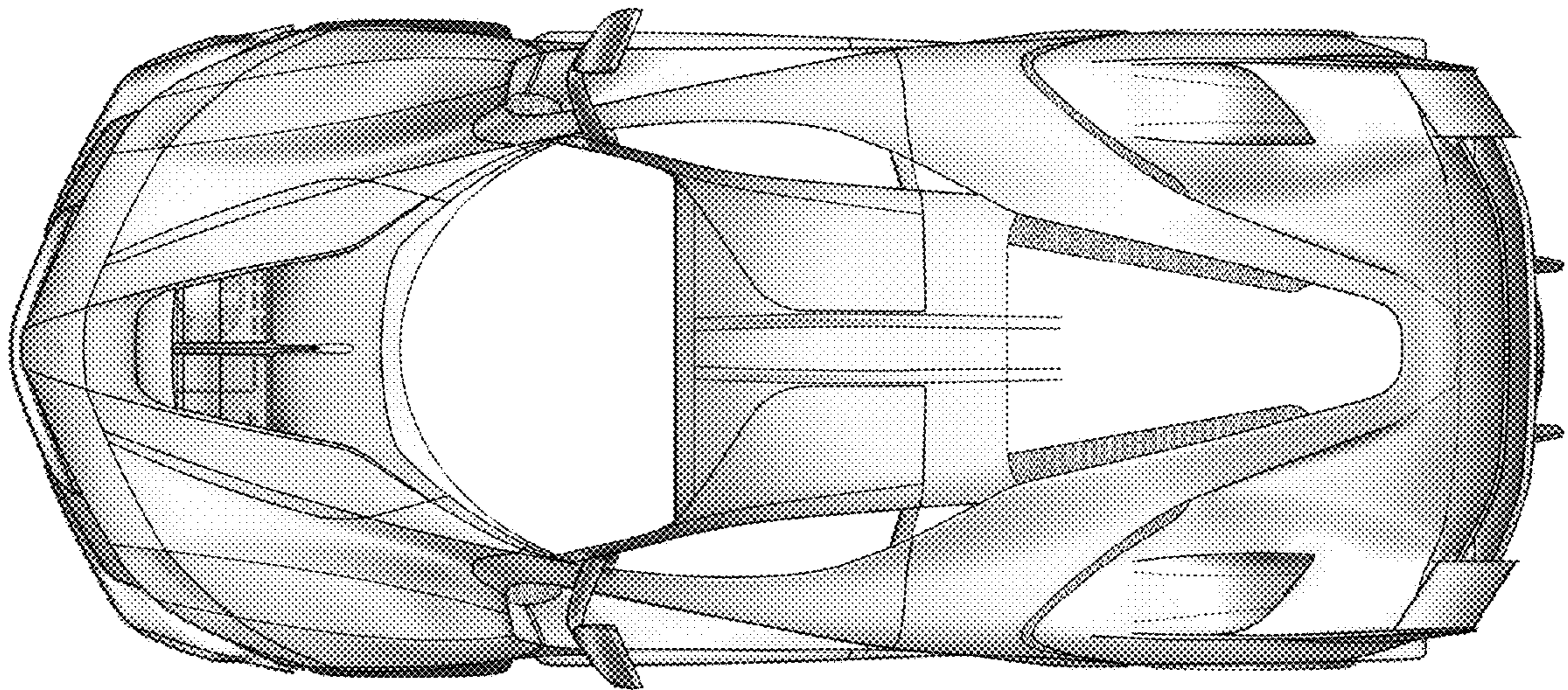
2.4



2.5



2.6



2.7

