



US00D915238S

(12) **United States Design Patent**
Lin

(10) **Patent No.:** **US D915,238 S**
(45) **Date of Patent:** **** Apr. 6, 2021**

(54) **ELASTIC ELEMENT OF SLIDE FOR SLIDE FASTENER**

6,588,072 B1 * 7/2003 Lin A44B 19/265
24/416

(71) Applicant: **CHUNG CHWAN ENTERPRISE CO., LTD.**, Taoyuan (TW)

7,340,805 B2 * 3/2008 Lin A44B 19/308
24/421

(72) Inventor: **Yu-Pau Lin**, Taoyuan (TW)

7,866,012 B2 * 1/2011 Keyaki A44B 19/308
24/422

(73) Assignee: **CHUNG CHWAN ENTERPRISE CO., LTD.**, Taoyuan (TW)

7,891,061 B2 * 2/2011 Lin A44B 19/308
24/424

9,775,412 B2 * 10/2017 Lin A44B 19/308

* cited by examiner

(**) Term: **15 Years**

Primary Examiner — Zenia I Bennett

(21) Appl. No.: **29/690,874**

(74) *Attorney, Agent, or Firm* — Li & Cai Intellectual Property Office

(22) Filed: **May 12, 2019**

(57) **CLAIM**

(30) **Foreign Application Priority Data**

The ornamental design for an elastic element of slide for slide fastener, as shown and described.

Jan. 29, 2019 (TW) 10830059.3

DESCRIPTION

(51) **LOC (13) Cl.** **02-07**

(52) **U.S. Cl.**
USPC **D11/221**

(58) **Field of Classification Search**
USPC D11/200, 201, 221; D2/641, 642;
D8/33, 34, 40

CPC A44B 19/00; A44B 19/02; A44B 19/04;
A44B 19/06; A44B 19/10; A44B 19/16;
A44B 19/26; A44B 19/30; G02C 3/003
See application file for complete search history.

FIG. 1 is a front and top perspective view of an elastic element of slide for slide fastener showing my new design; FIG. 2 is a front elevational view thereof; FIG. 3 is a rear elevational view thereof; FIG. 4 is a left side elevational view thereof; FIG. 5 is a right side elevational view thereof; FIG. 6 is a top plan view thereof; FIG. 7 is a bottom plan view thereof; FIG. 8 is a rear and bottom perspective view thereof; and, FIG. 9 is a front and top perspective view of the elastic element of slide for slide fastener shown in a reference view of usage.

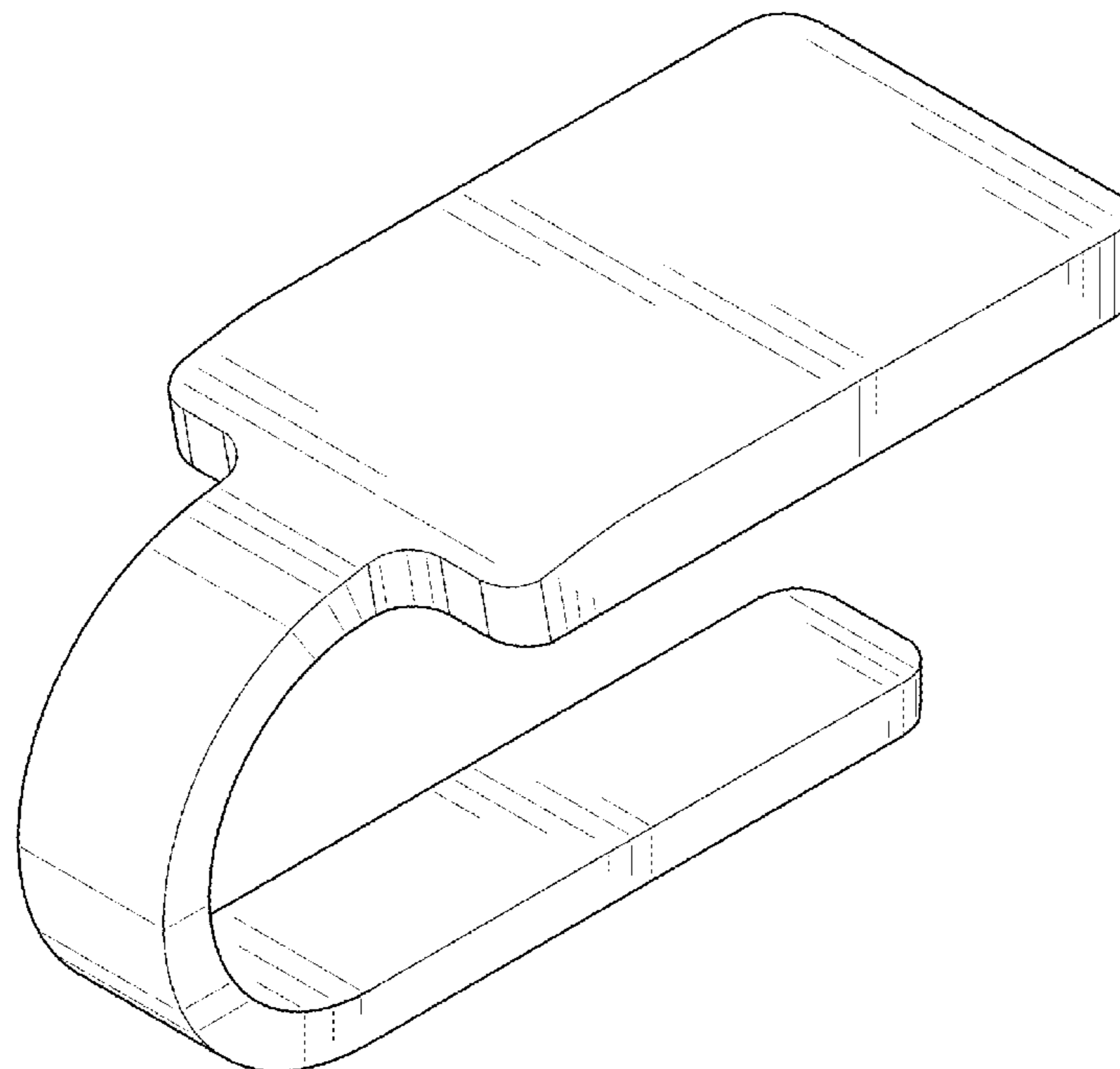
(56) **References Cited**

U.S. PATENT DOCUMENTS

5,875,525 A * 3/1999 Lee A44B 19/26
24/429
6,314,624 B1 * 11/2001 Lin A44B 19/308
24/421

The broken lines are shown for the purpose of illustrating environmental structure that forms no part of the claimed design.

1 Claim, 8 Drawing Sheets



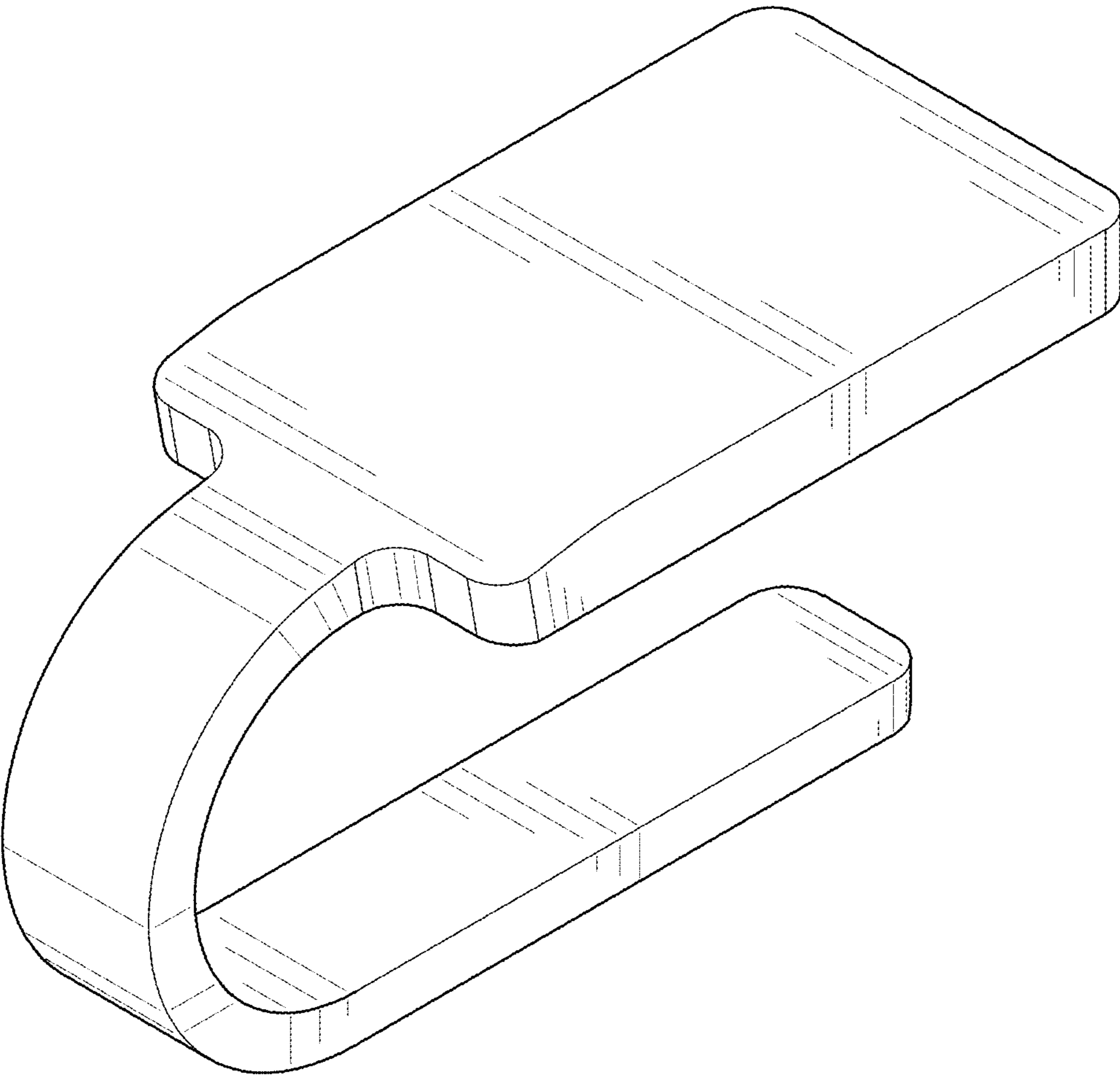


FIG. 1

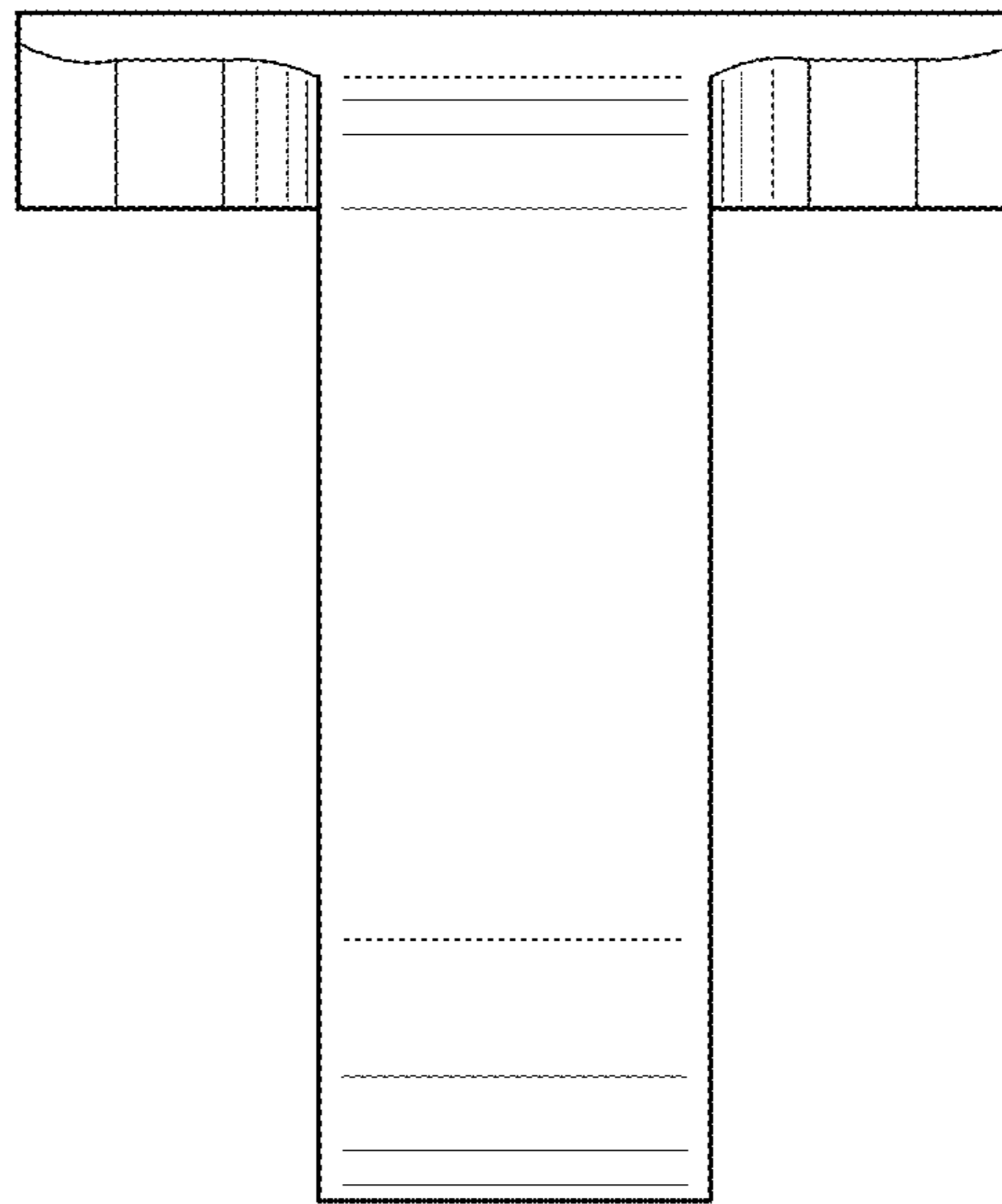


FIG. 2

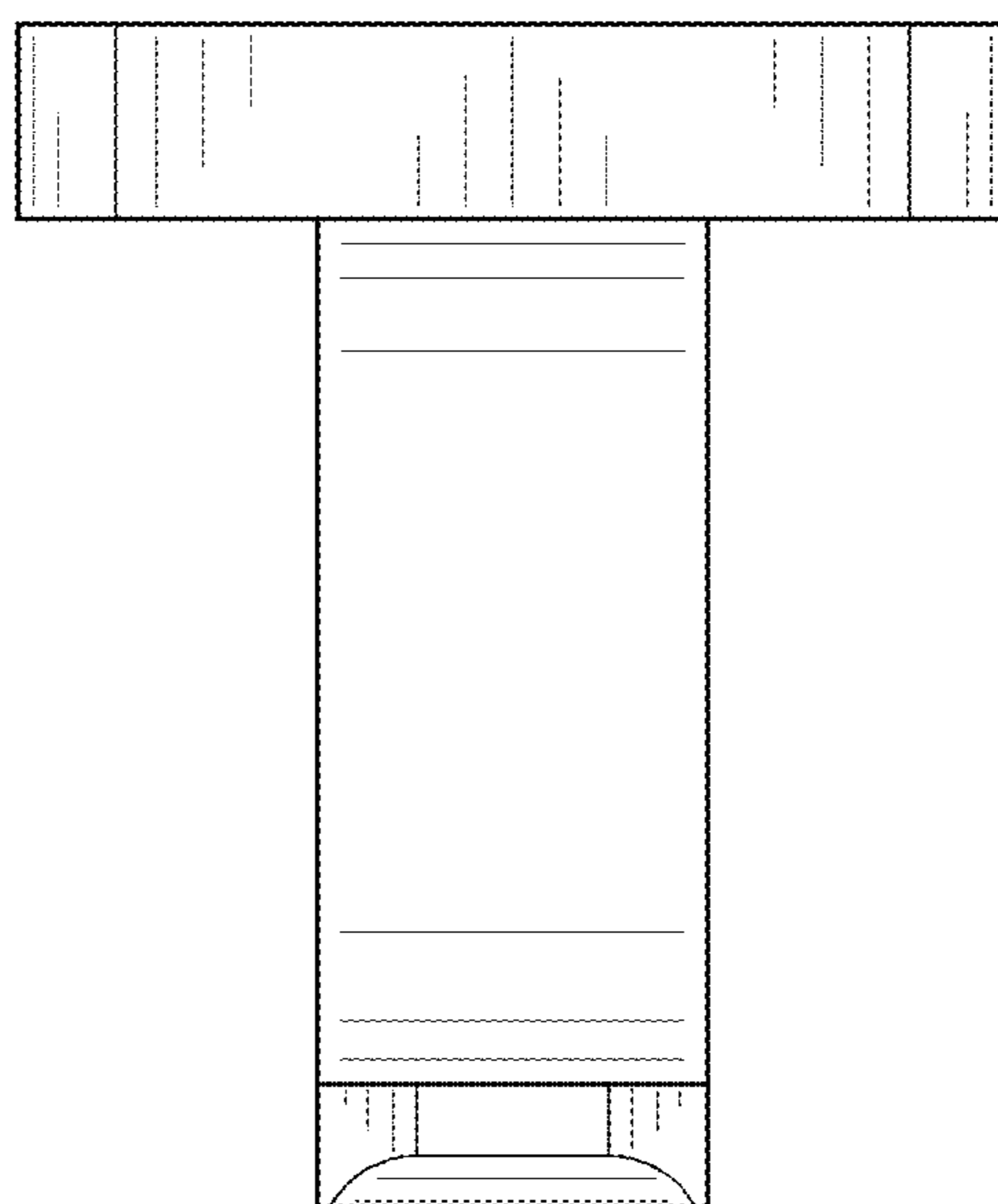


FIG. 3

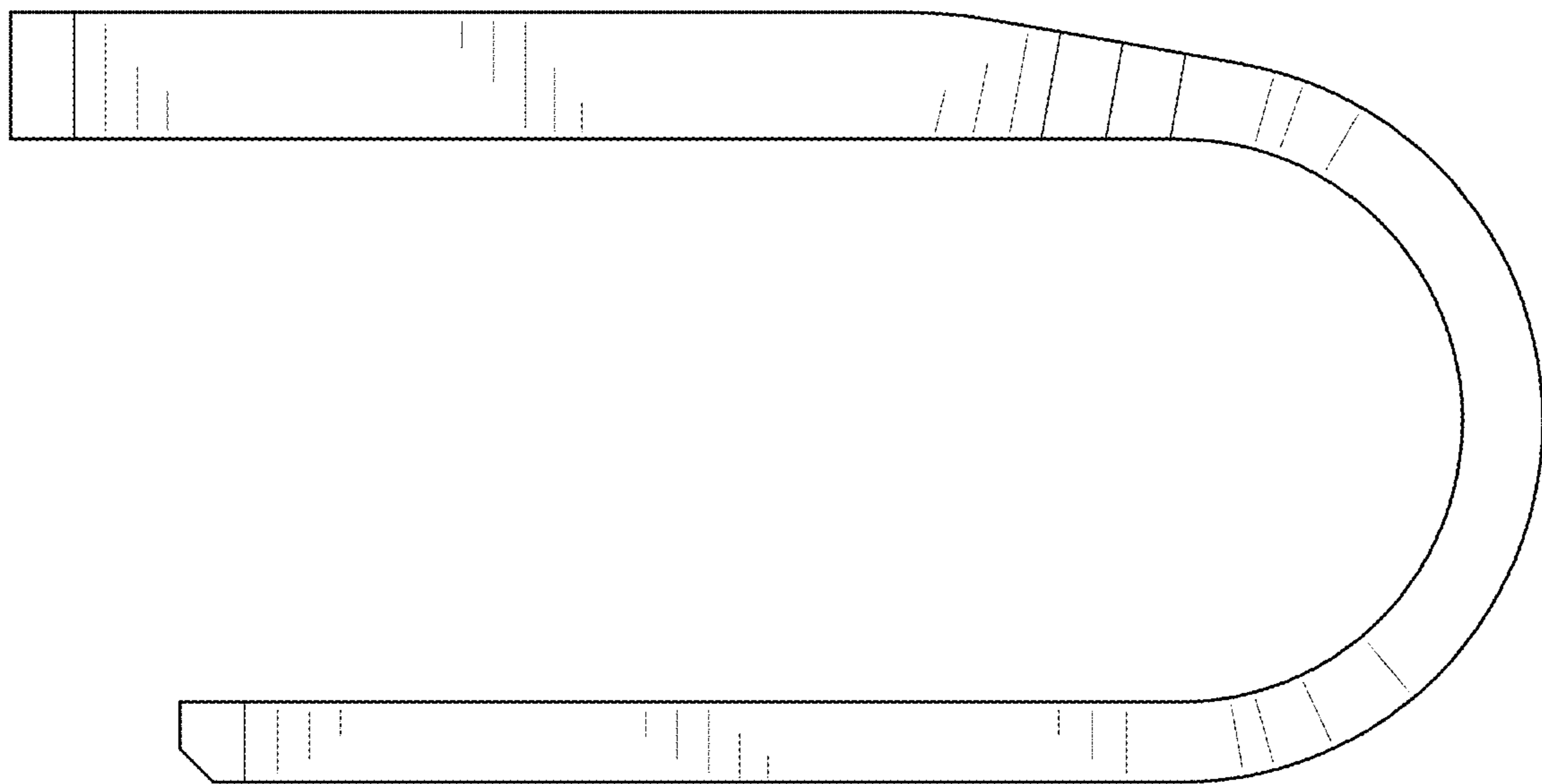


FIG. 4

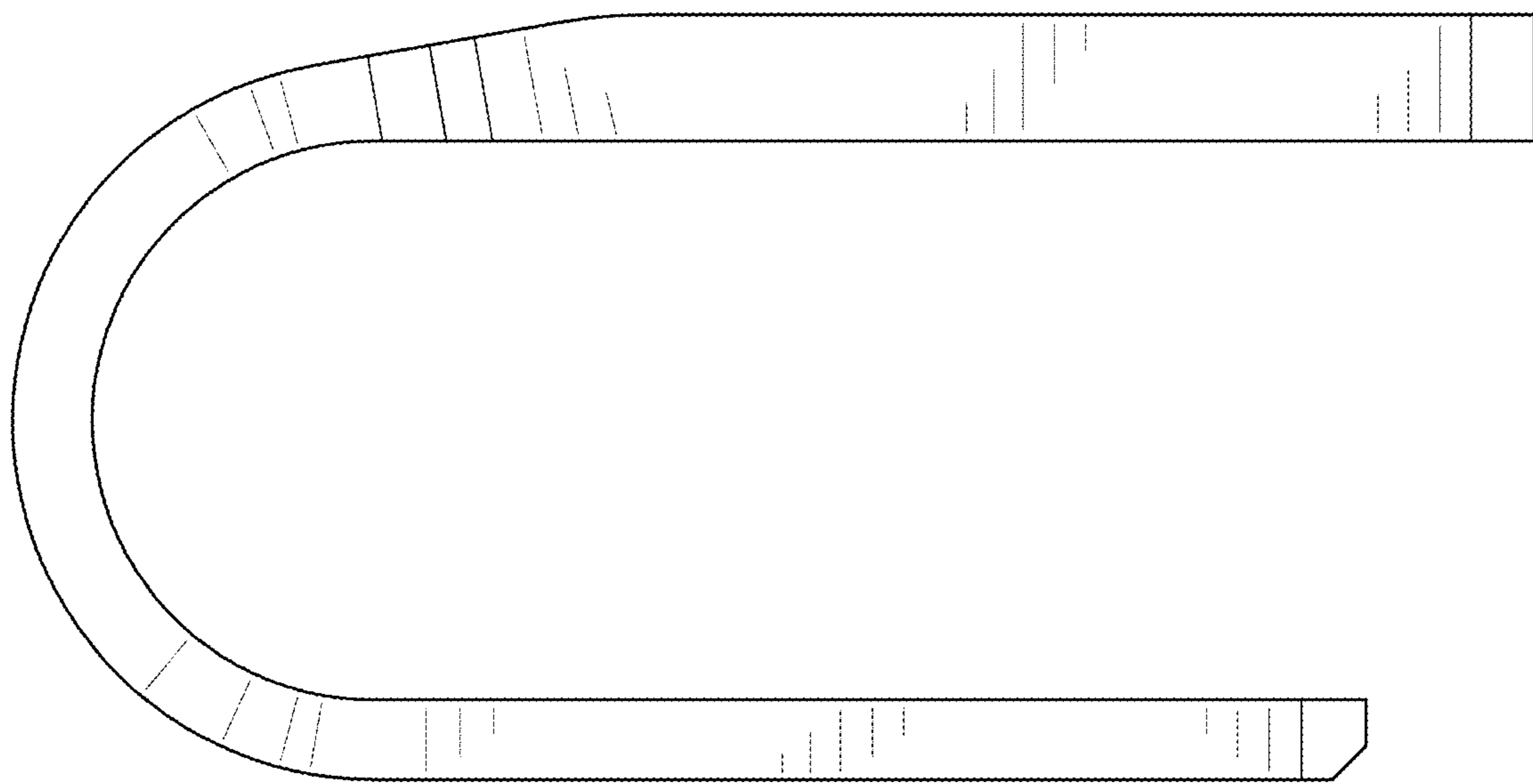


FIG. 5

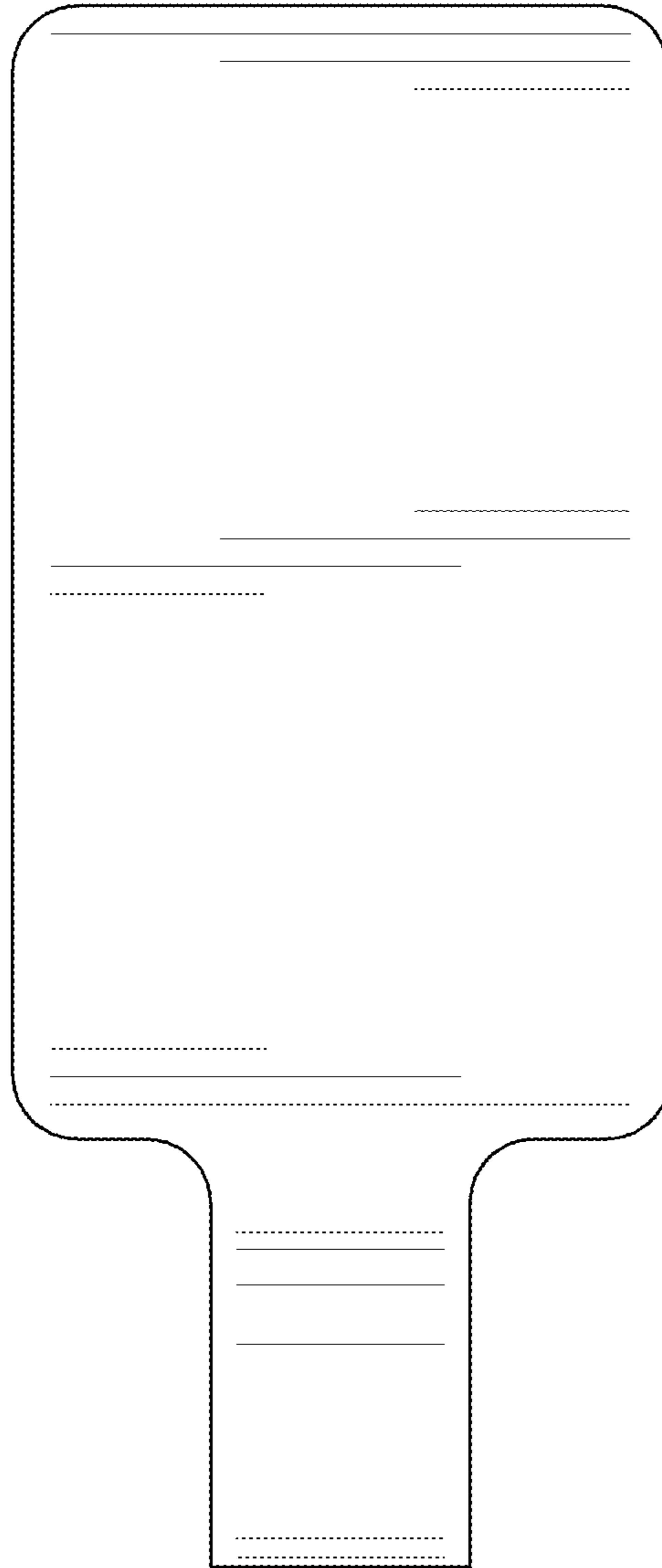


FIG. 6

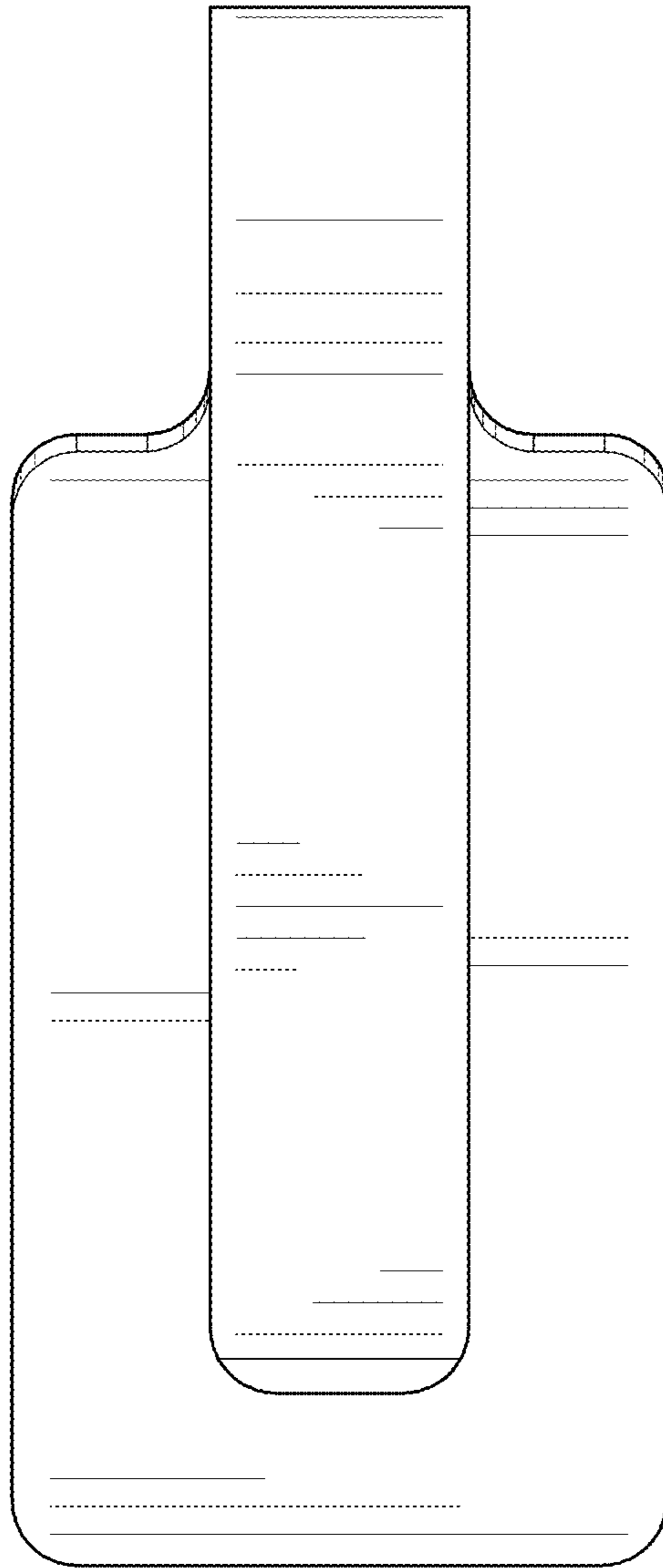


FIG. 7

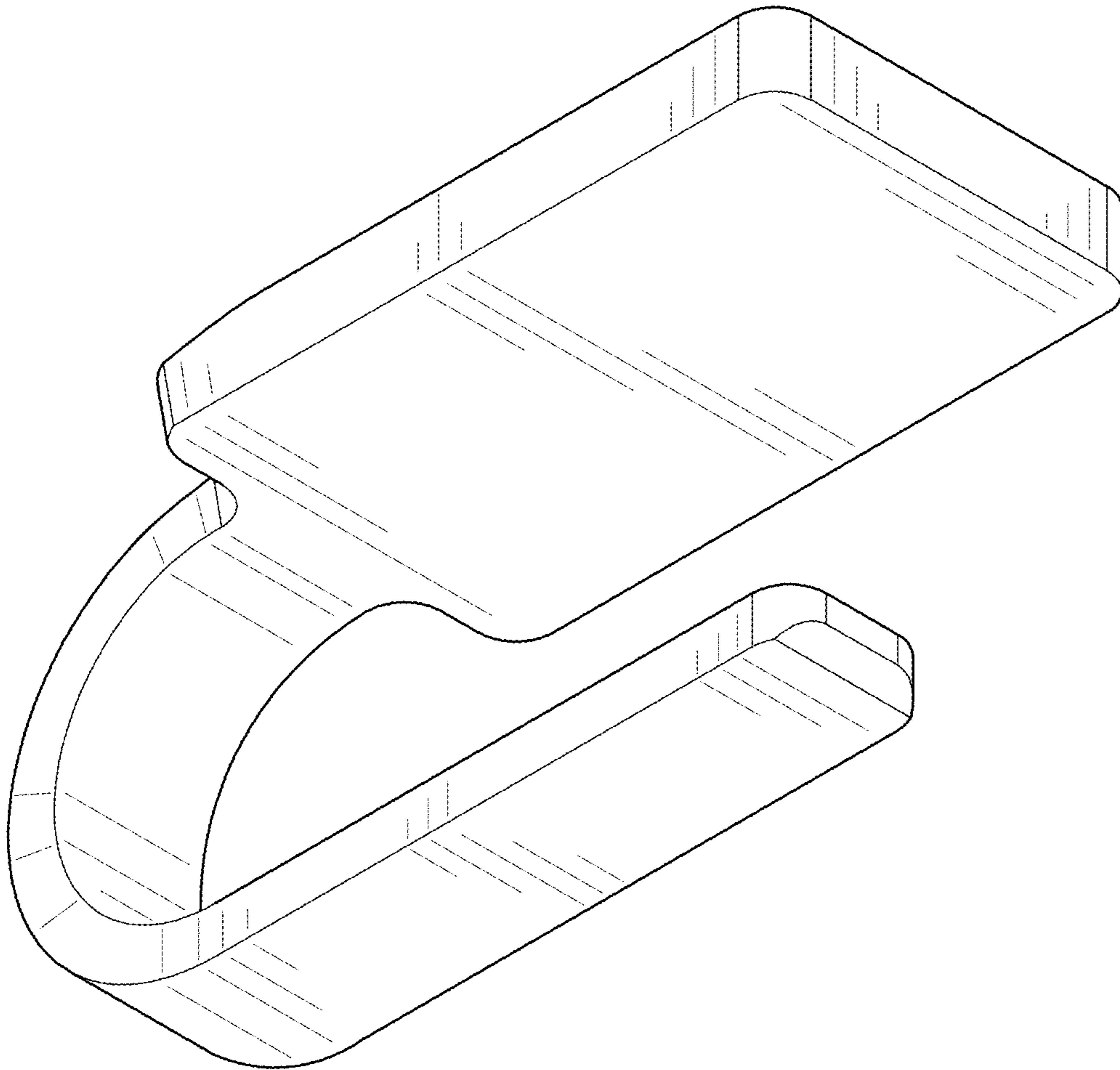


FIG. 8

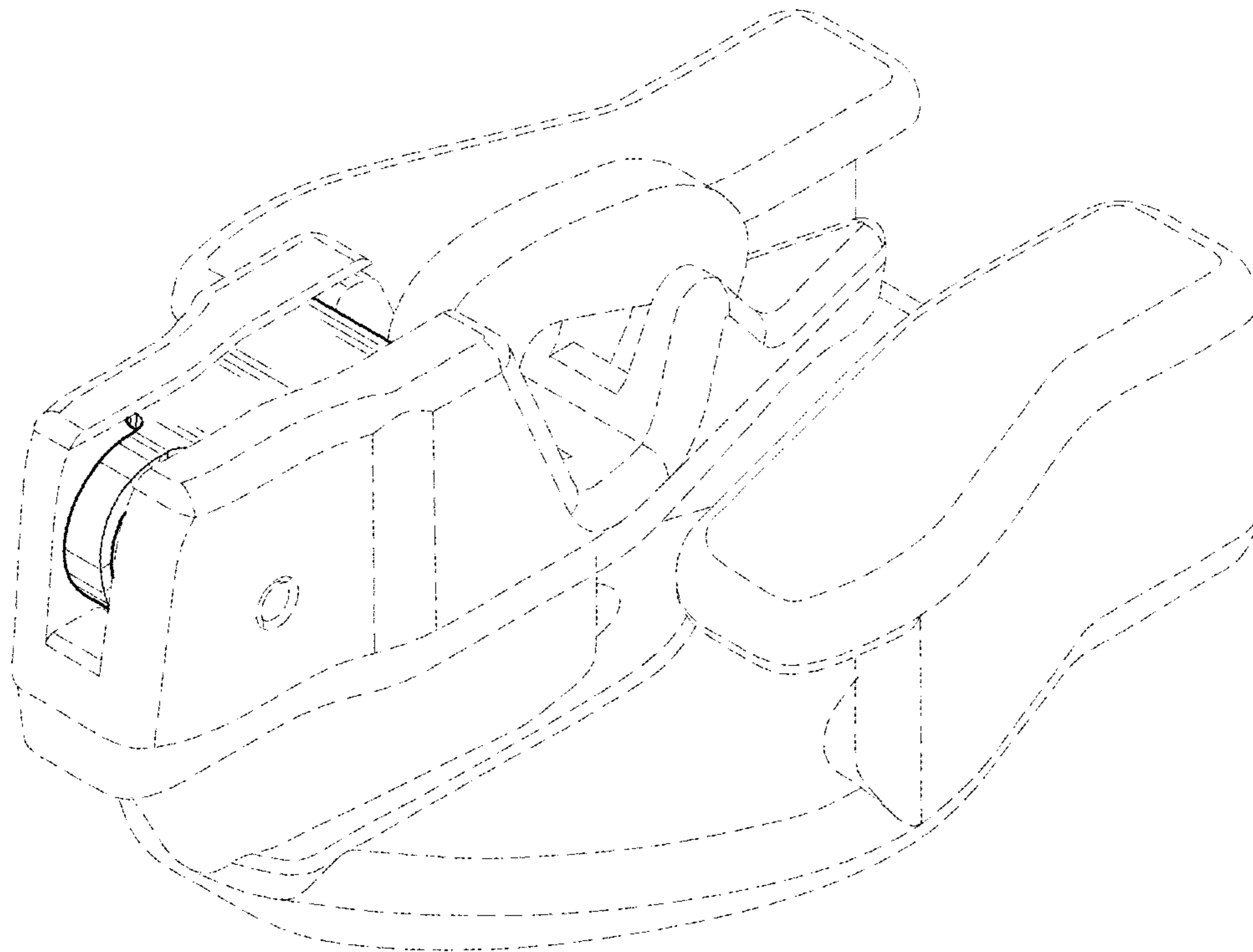


FIG. 9

UNITED STATES PATENT AND TRADEMARK OFFICE
CERTIFICATE OF CORRECTION

PATENT NO. : D915,238 S
APPLICATION NO. : 29/690874
DATED : April 6, 2021
INVENTOR(S) : Yu-Pau Lin

Page 1 of 1

It is certified that error appears in the above-identified patent and that said Letters Patent is hereby corrected as shown below:

On the Title Page

(30) Foreign Application Priority Data Should read as:
Jan 29, 2019 (TW) 108300593

Signed and Sealed this
Twenty-ninth Day of June, 2021



Drew Hirshfeld
*Performing the Functions and Duties of the
Under Secretary of Commerce for Intellectual Property and
Director of the United States Patent and Trademark Office*