



US00D915236S

(12) **United States Design Patent**
Soheili

(10) **Patent No.:** **US D915,236 S**

(45) **Date of Patent:** **** Apr. 6, 2021**

(54) **BRACELET**

(71) Applicant: **Ramin Soheili**, San Francisco, CA (US)

(72) Inventor: **Ramin Soheili**, San Francisco, CA (US)

(73) Assignee: **JOOJOO MEE INC.**, San Francisco, CA (US)

(**) Term: **15 Years**

(21) Appl. No.: **29/714,965**

(22) Filed: **Nov. 27, 2019**

(51) **LOC (13) Cl.** **11-01**

(52) **U.S. Cl.**
USPC **D11/3**

(58) **Field of Classification Search**
USPC D11/1-5; D10/31, 32; D14/344;
D24/167; D26/38, 39
CPC A44C 11/00; A44C 11/007; A44C 13/00;
A44C 15/0015; A44C 5/00; A44C
5/0007; A44C 5/0015; A44C 5/0023;
A44C 5/003; A44C 5/0053; A44C 5/0084
See application file for complete search history.

(56) **References Cited**

U.S. PATENT DOCUMENTS

D158,918 S * 6/1950 Winn D10/32
3,603,493 A * 9/1971 Frohlich A44C 5/0092
D11/2
D326,624 S * 6/1992 Cowan D11/4
D349,468 S * 8/1994 Souren D11/3
D562,704 S * 2/2008 Lalo D10/32
D562,723 S * 2/2008 Lalo D10/32
D610,472 S * 2/2010 Nashimoto D10/32

D714,178 S * 9/2014 Sabbioni D11/3
D775,538 S * 1/2017 Phillips D10/32
D900,642 S * 11/2020 Dumas D10/32
2005/0189906 A1 * 9/2005 Sun A44C 5/0007
320/107
2017/0000222 A1 * 1/2017 Lee A44C 5/14

* cited by examiner

Primary Examiner — Llorellys Martinez

(74) *Attorney, Agent, or Firm* — Georgiy L. Khayet

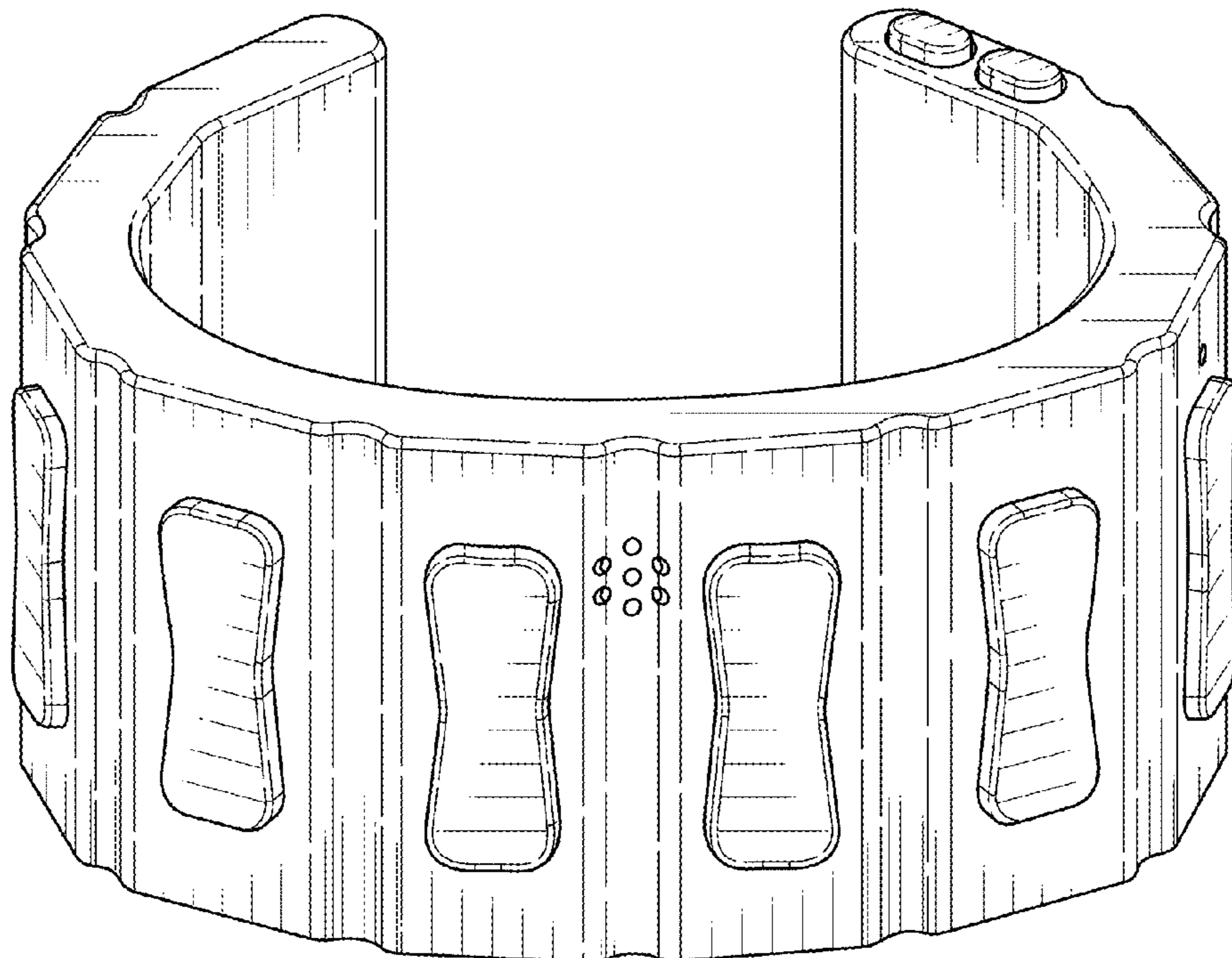
(57) **CLAIM**

The ornamental design for a bracelet, as shown and described.

DESCRIPTION

FIG. 1 is a front elevation view of a bracelet showing my new design;
FIG. 2 is a front view of the bracelet;
FIG. 3 is a rear view of the bracelet;
FIG. 4 is a rear right side of the bracelet;
FIG. 5 is a rear left side view of the bracelet;
FIG. 6 is a top view of the bracelet;
FIG. 7 is a bottom view of the bracelet;
FIG. 8 is a rear elevation view of the bracelet;
FIG. 9 is a rear left side perspective view of the bracelet;
and,
FIG. 10 is a rear right side perspective view of the bracelet.
The broken lines in the drawings showing the text “Joo-JooMee” represent environmental subject matter and form no part of the claimed design.

1 Claim, 10 Drawing Sheets



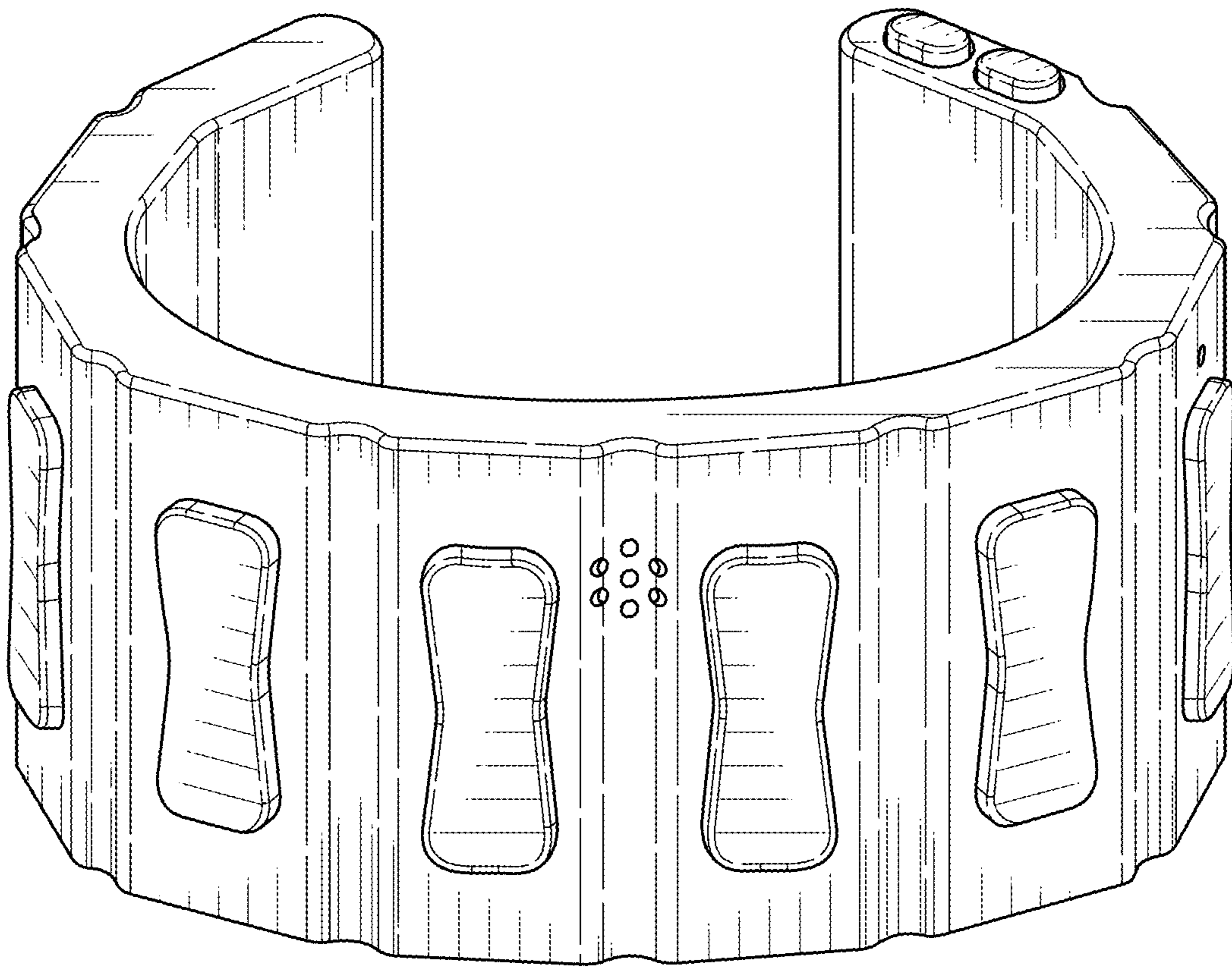


FIG. 1

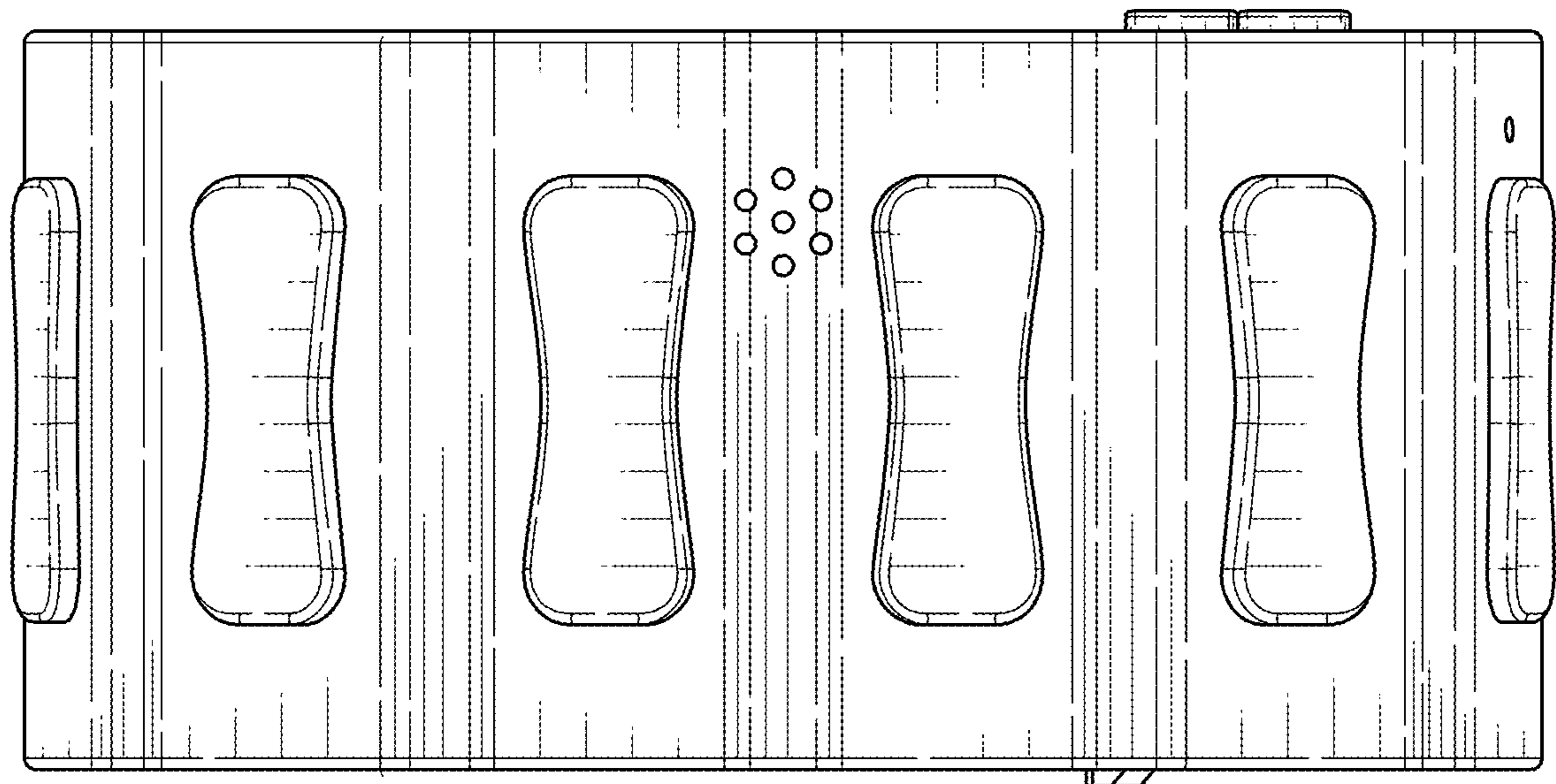


FIG. 2

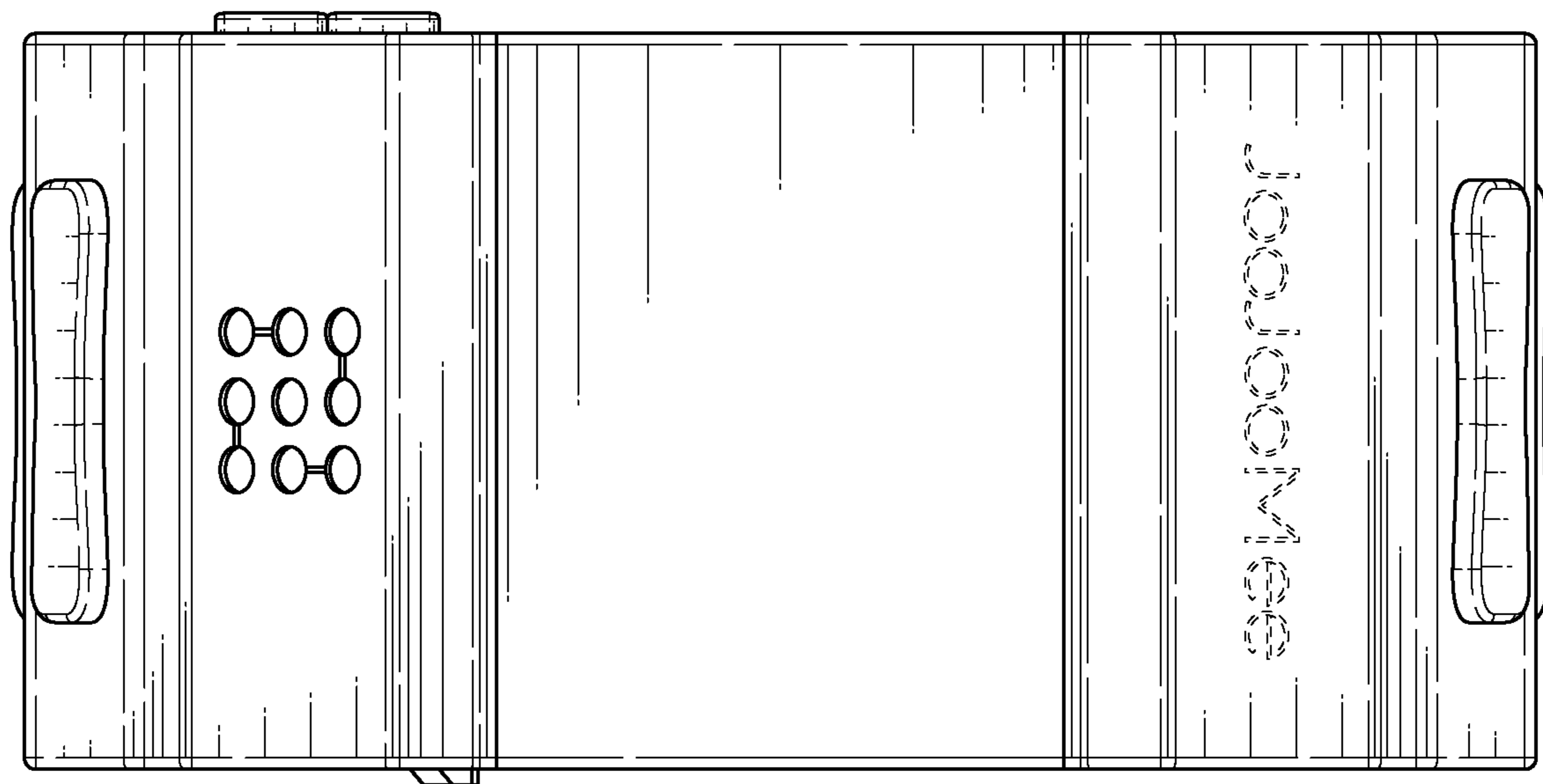


FIG. 3

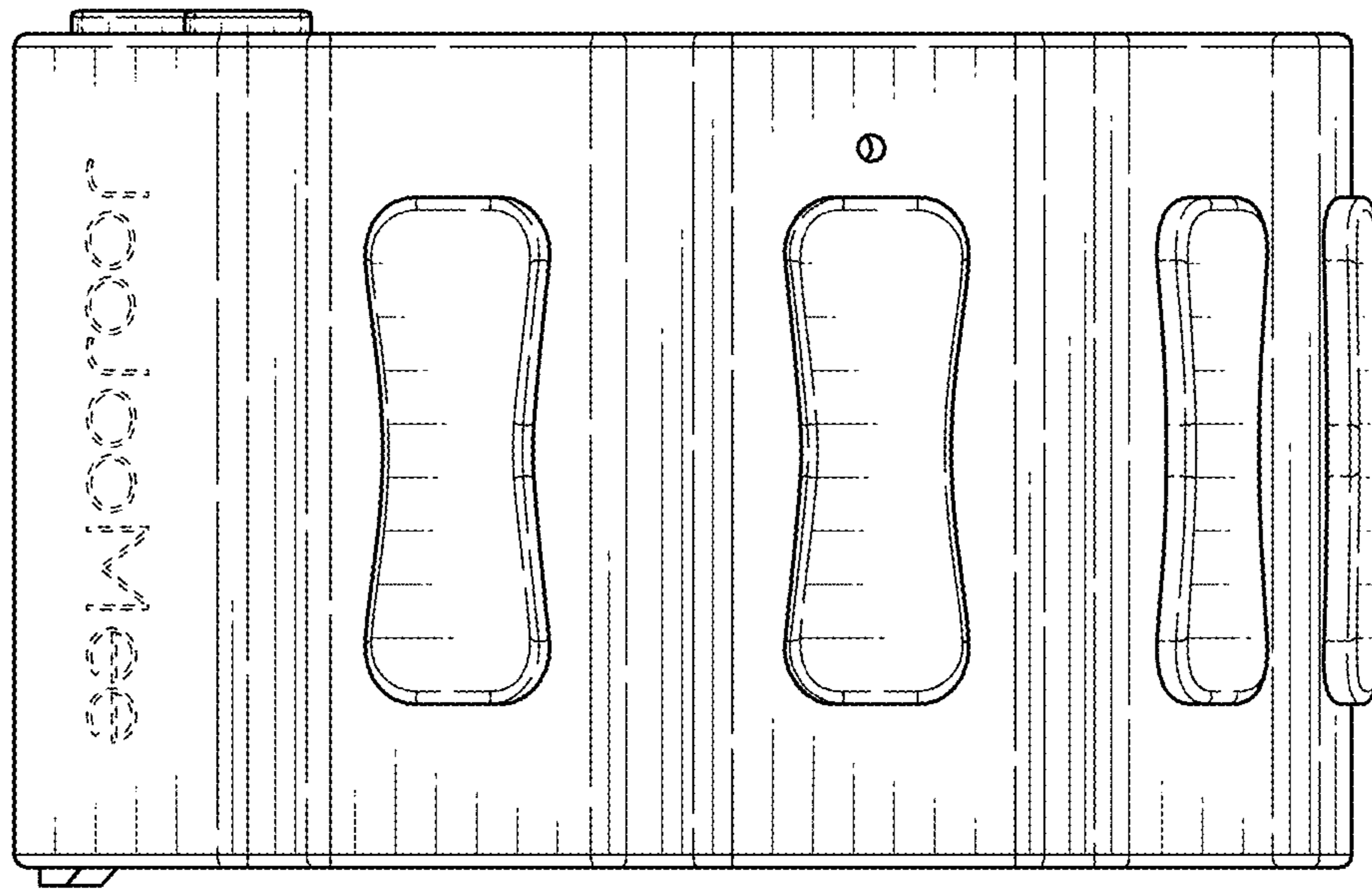


FIG. 4

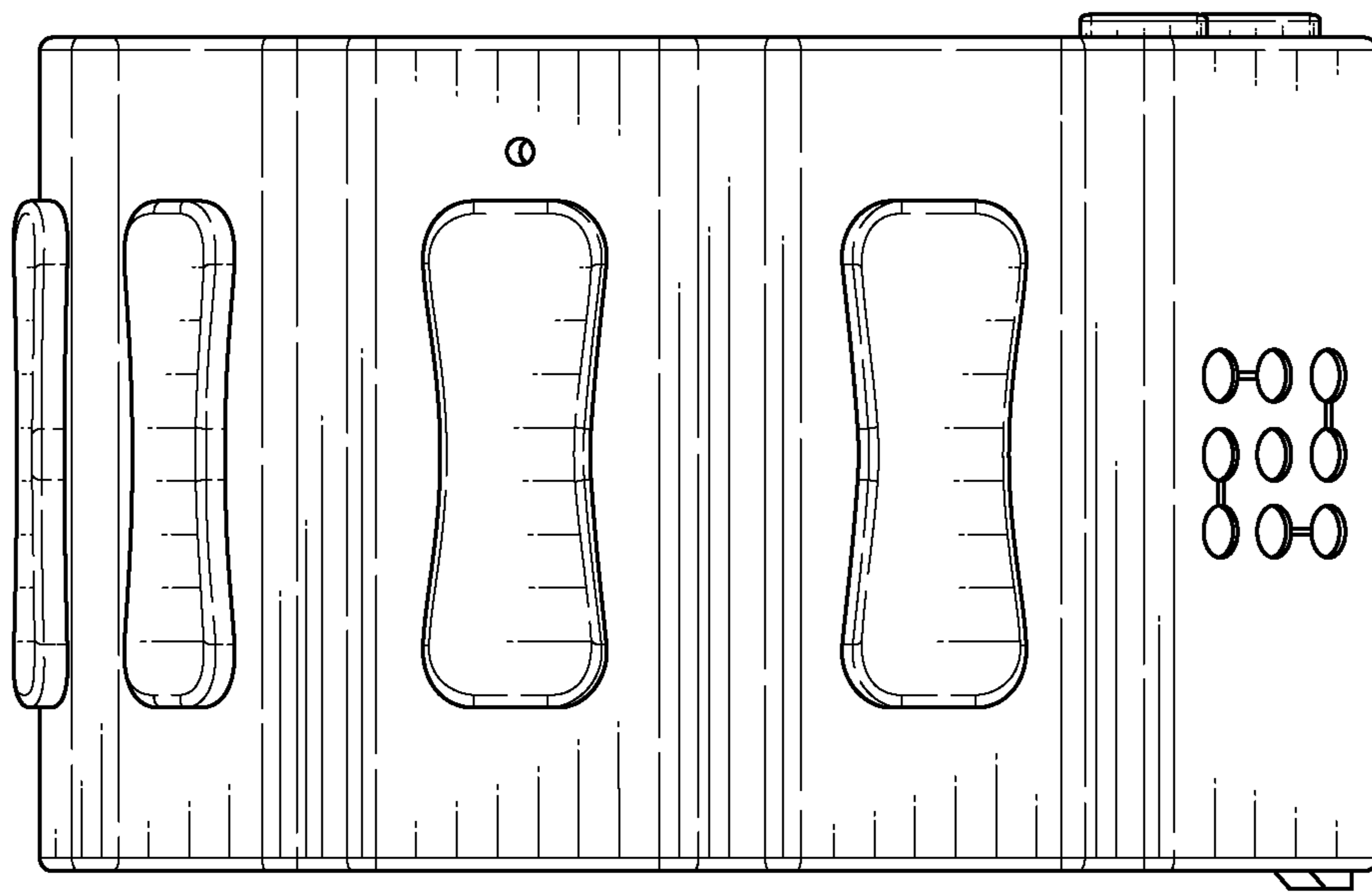


FIG. 5

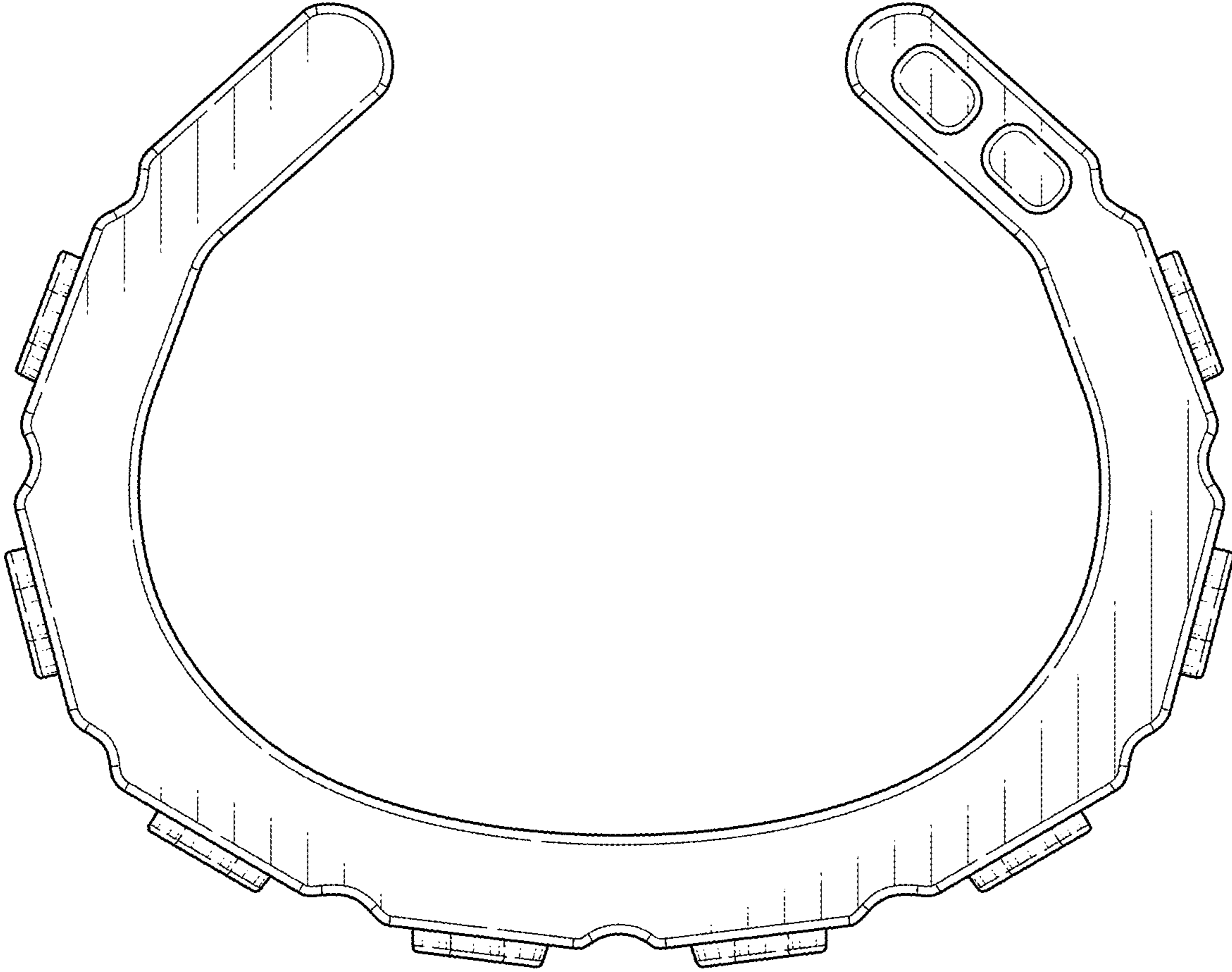


FIG. 6

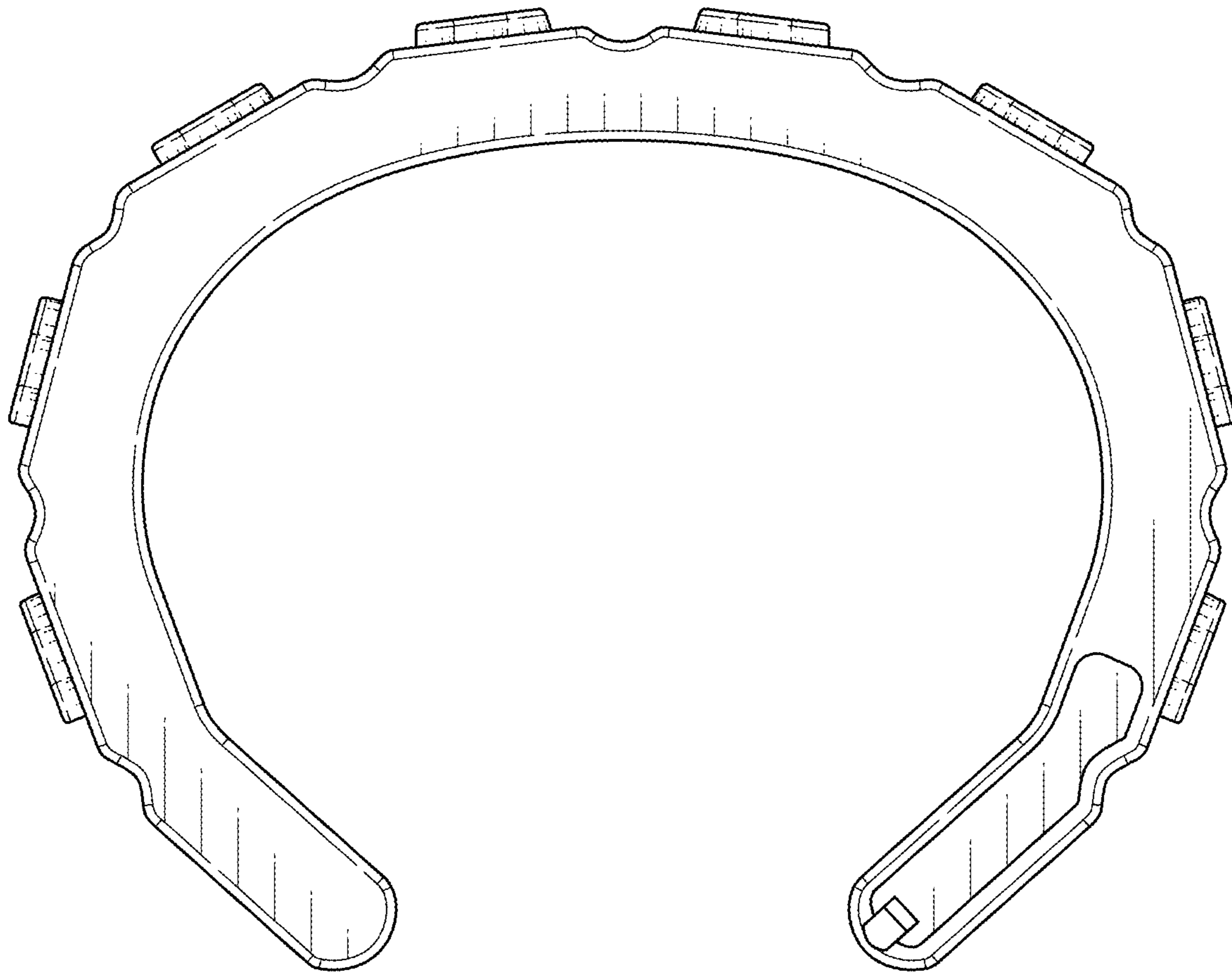


FIG. 7

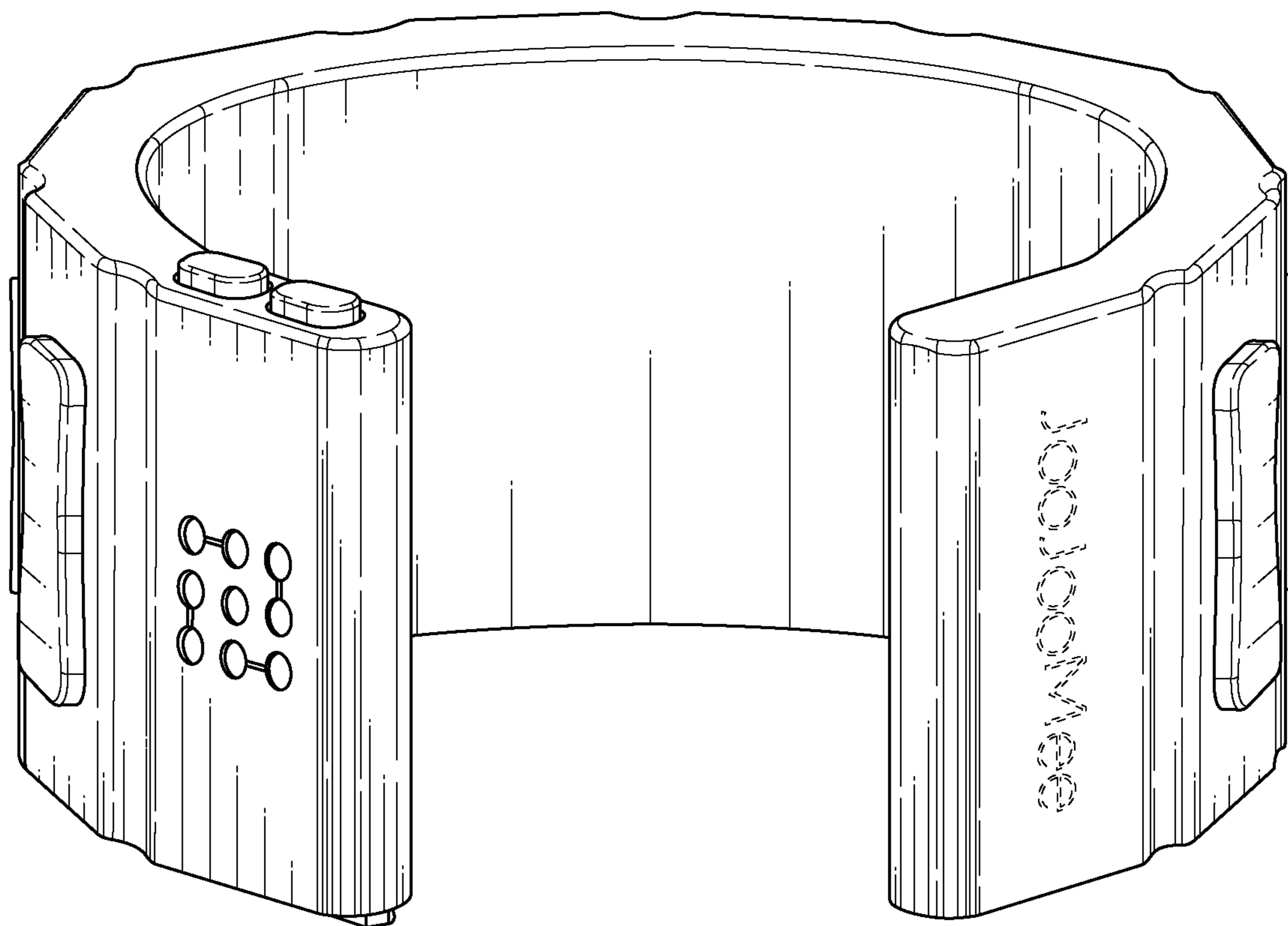


FIG. 8

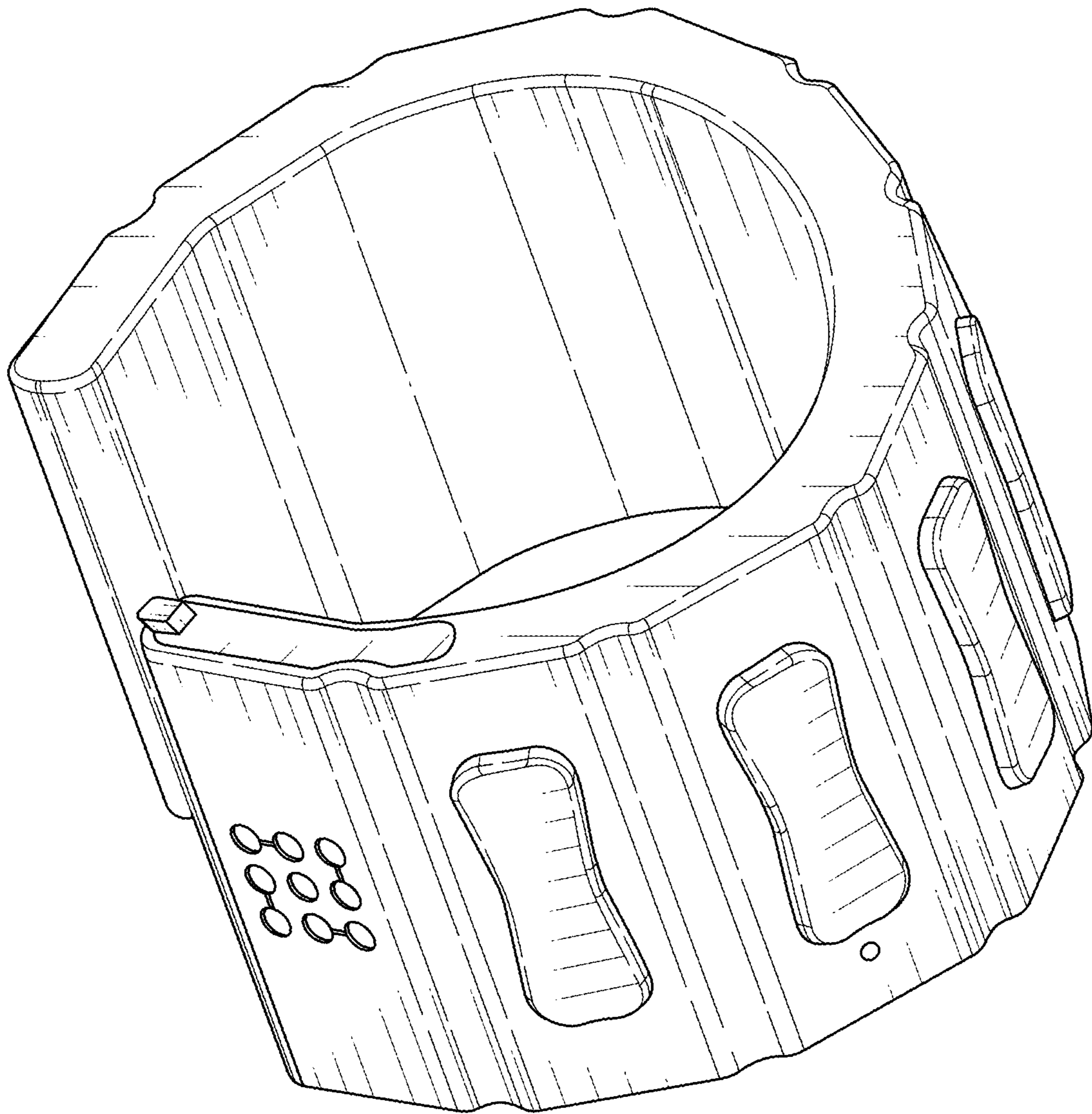


FIG. 9

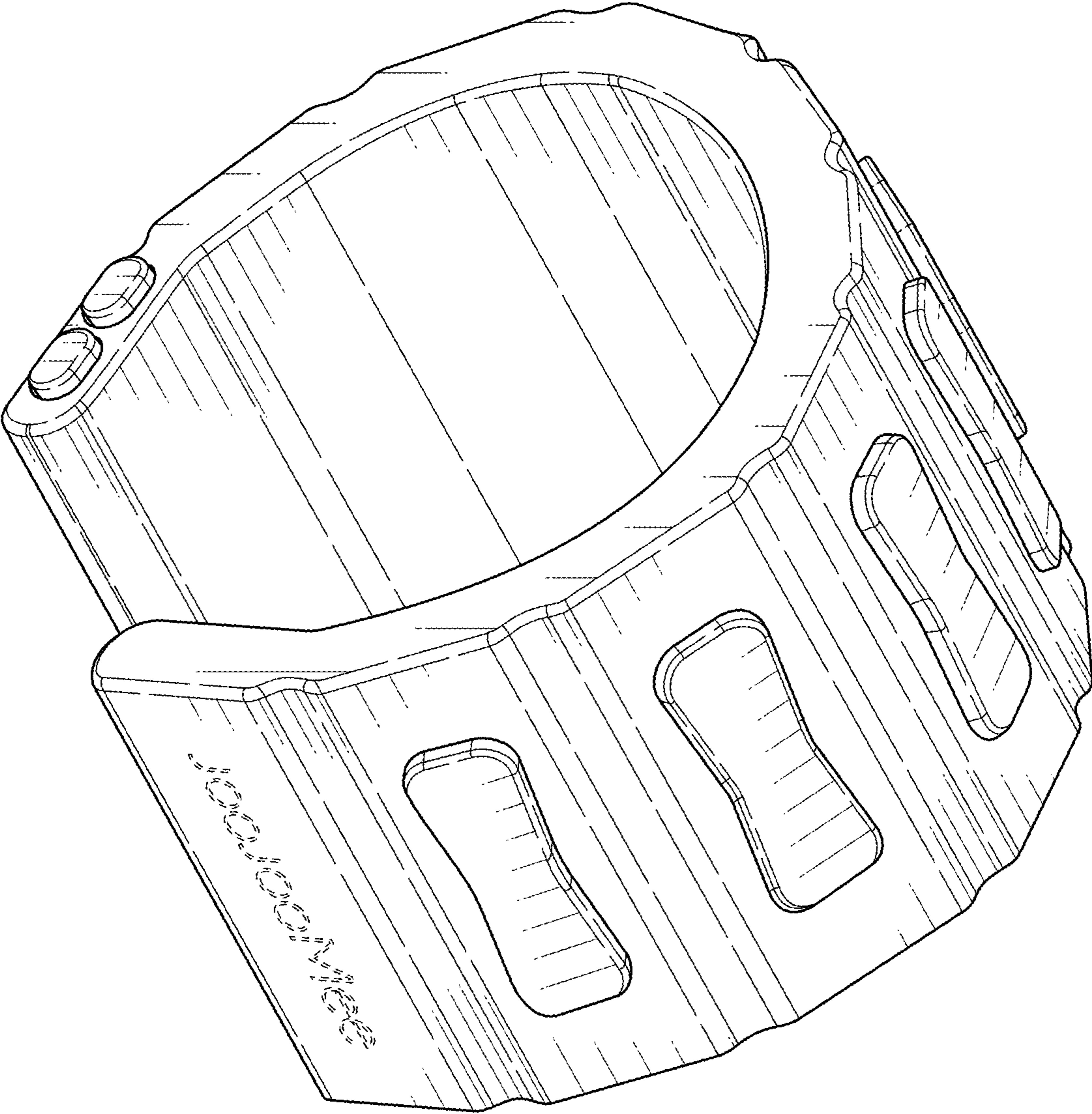


FIG. 10