



US00D915233S

(12) **United States Design Patent** (10) **Patent No.:** **US D915,233 S**  
**Giessel et al.** (45) **Date of Patent:** **\*\* Apr. 6, 2021**

(54) **RADIO FREQUENCY DETECTOR**

(71) Applicant: **9013733 CANADA INC.**, Cambridge (CA)

(72) Inventors: **David S. Giessel**, Cambridge (CA); **Bruce Hildesheim**, Cambridge (CA)

(73) Assignee: **9013733 CANADA INC.**

(\*\*) Term: **15 Years**

(21) Appl. No.: **29/681,964**

(22) Filed: **Feb. 28, 2019**

(51) **LOC (13) Cl.** ..... **10-05**

(52) **U.S. Cl.**  
USPC ..... **D10/104.1**

(58) **Field of Classification Search**  
USPC ..... D10/104.1, 75; D14/137  
See application file for complete search history.

(56) **References Cited**

**U.S. PATENT DOCUMENTS**

D831,600 S	*	10/2018	Aihsan	.....	D14/137
D882,540 S	*	4/2020	Giessel	.....	D14/137
D904,211 S	*	12/2020	Giessel	.....	D10/75

\* cited by examiner

*Primary Examiner* — George D. Kirschbaum

(74) *Attorney, Agent, or Firm* — Asgaard Patent Services, LLC; F. Wayne Thompson, Jr.

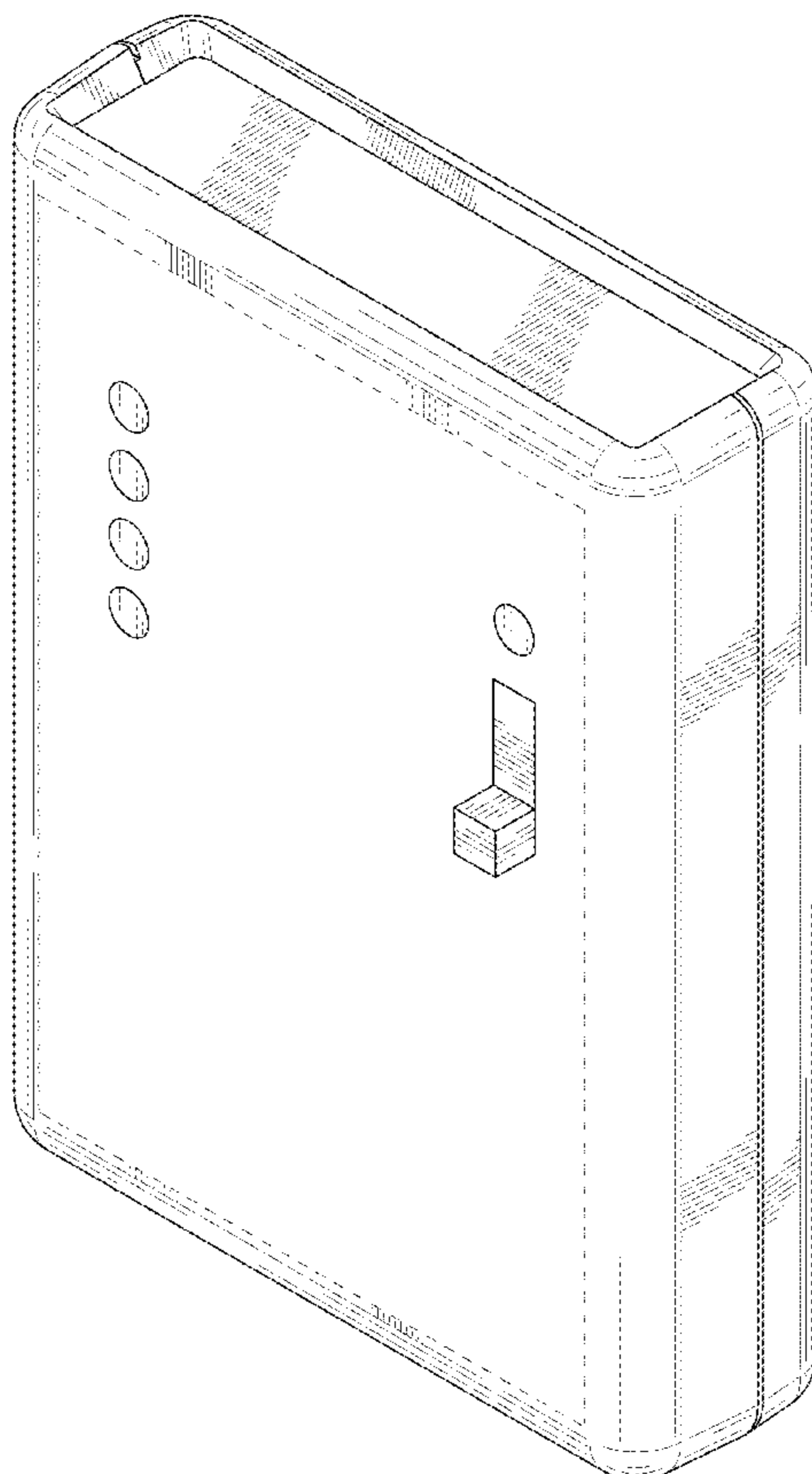
(57) **CLAIM**

The ornamental design for a radio frequency detector, as shown and described.

**DESCRIPTION**

FIG. 1 is a front, right side, top, isometric view of a radio frequency detector;  
 FIG. 2 is a rear, left side, bottom isometric view of the radio frequency detector shown in FIG. 1;  
 FIG. 3 is a front view of the radio frequency detector shown in FIG. 1;  
 FIG. 4 is a right side view of the radio frequency detector shown in FIG. 1;  
 FIG. 5 is a rear view of the radio frequency detector shown in FIG. 1;  
 FIG. 6 is a left side view of the radio frequency detector shown in FIG. 1;  
 FIG. 7 is a top view of the radio frequency detector shown in FIG. 1; and,  
 FIG. 8 is a bottom view of the radio frequency detector shown in FIG. 1.  
 The broken lines shown in FIGS. 1-3 and 5 represent portions of the radio frequency detector that form no part of the claimed design.

**1 Claim, 6 Drawing Sheets**



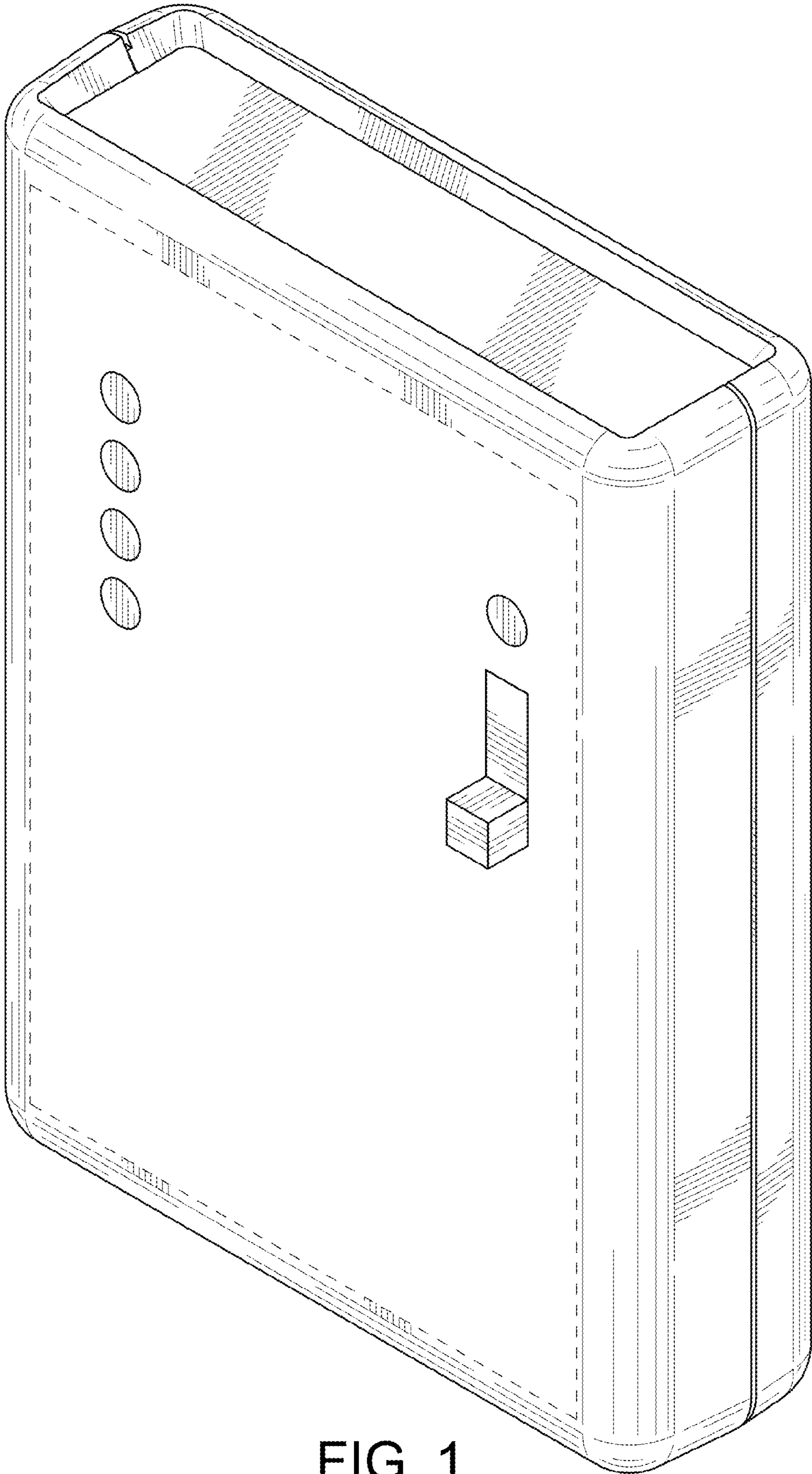


FIG. 1

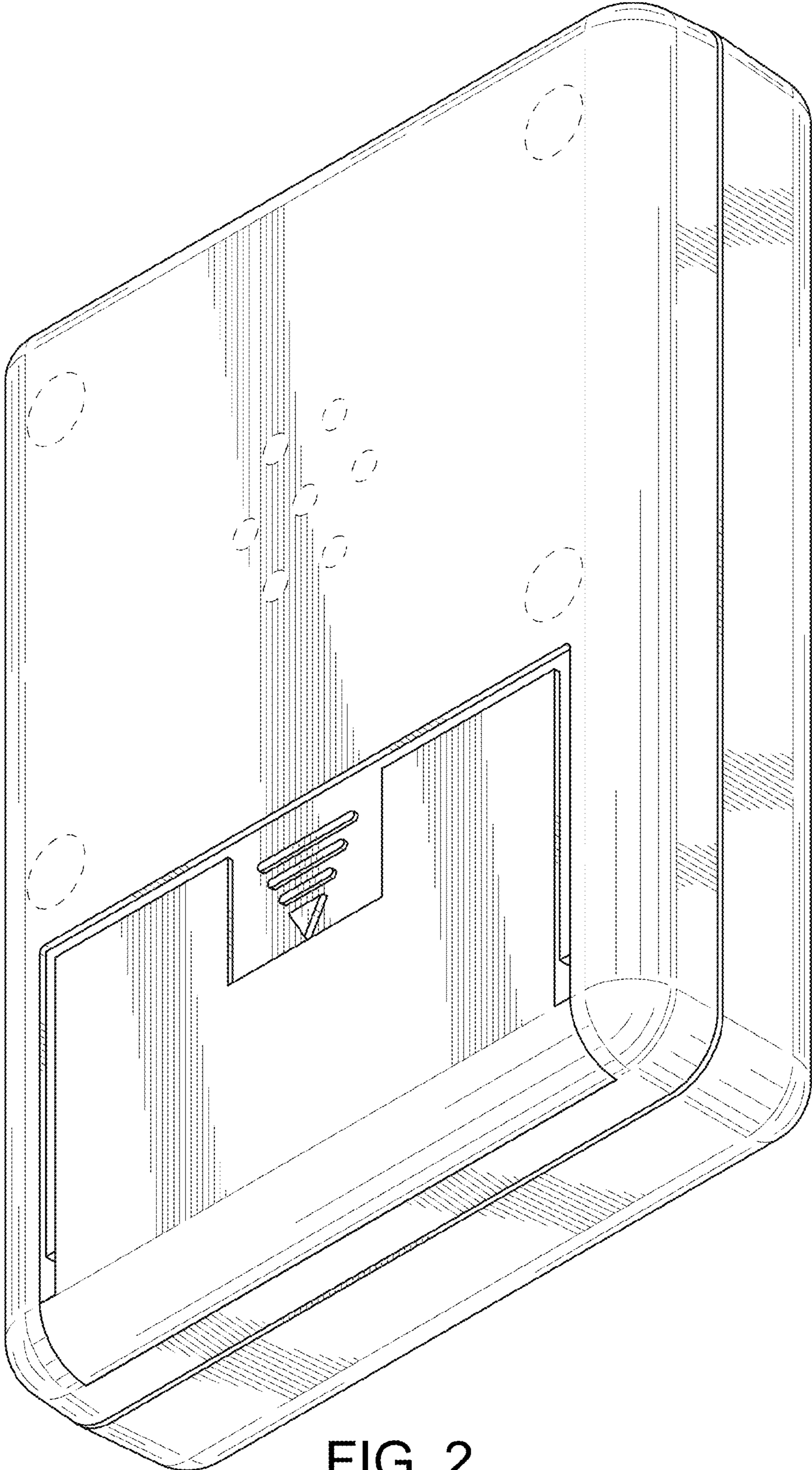


FIG. 2

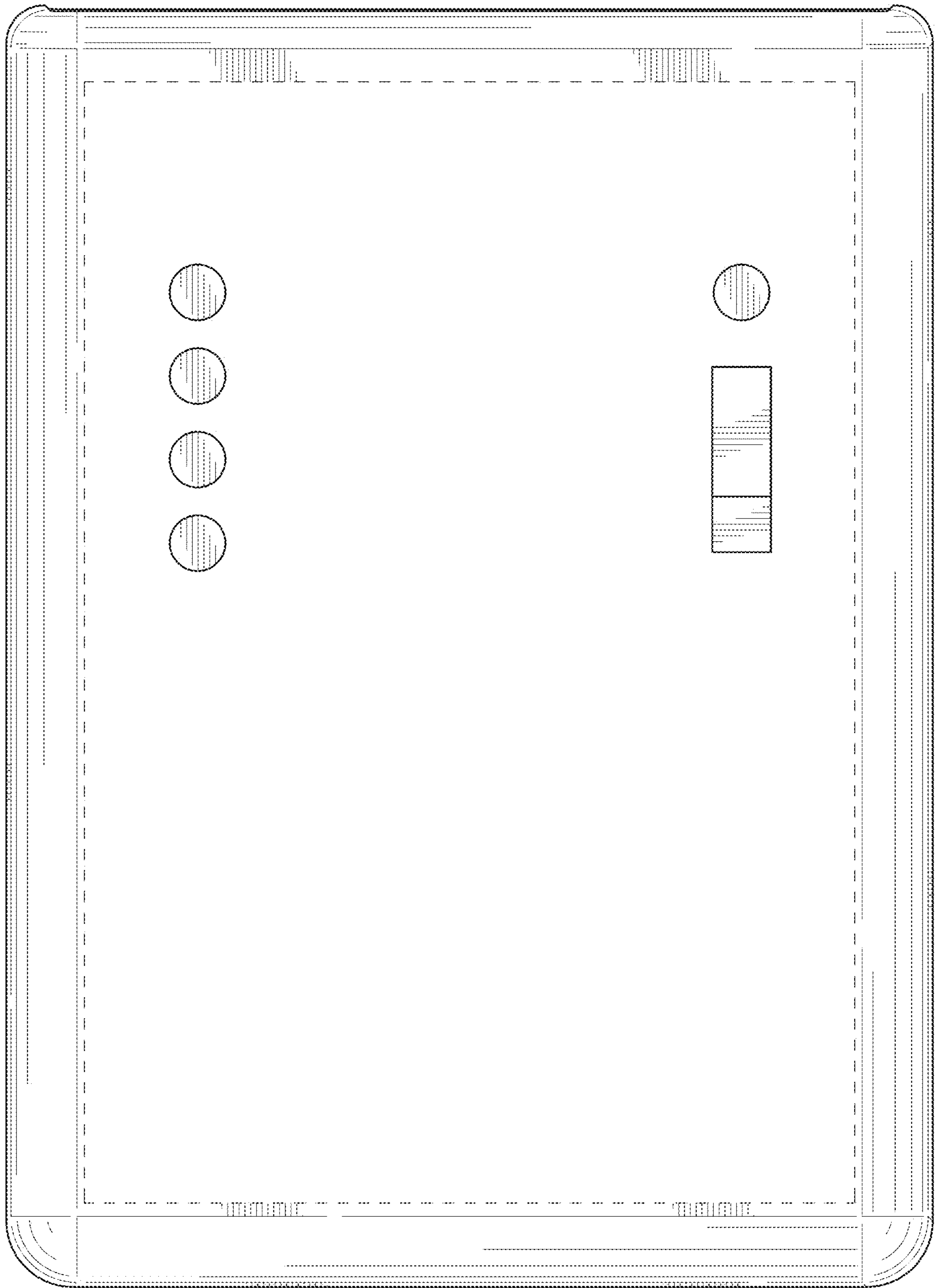


FIG. 3

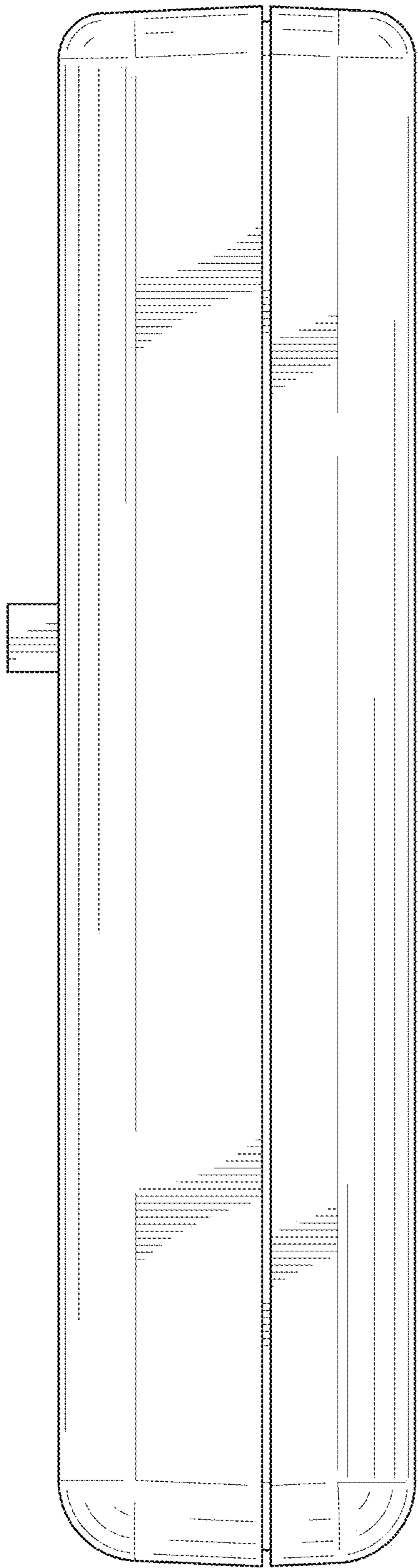


FIG. 4

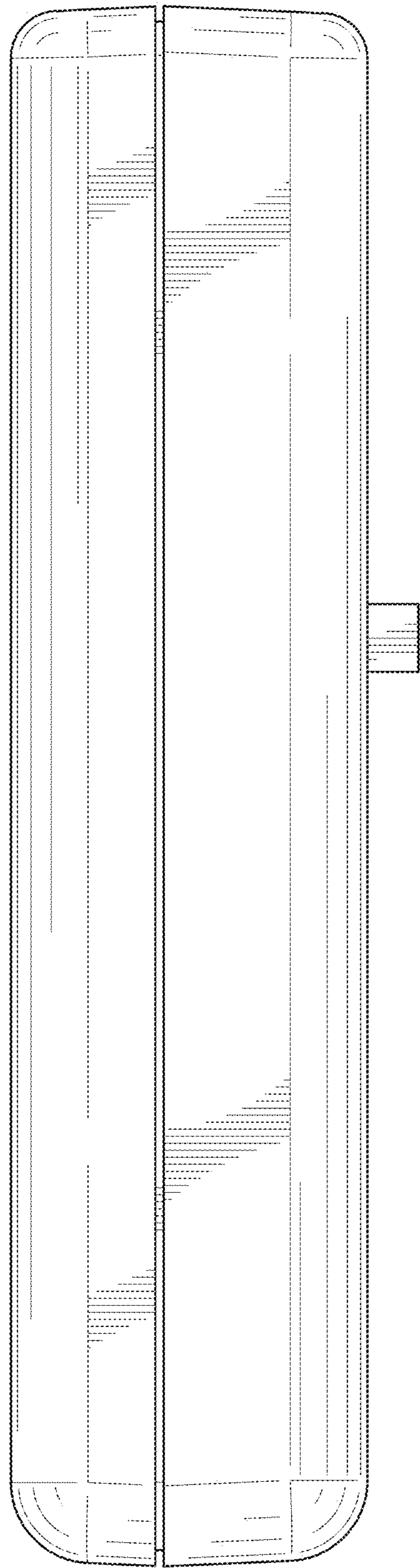


FIG. 6

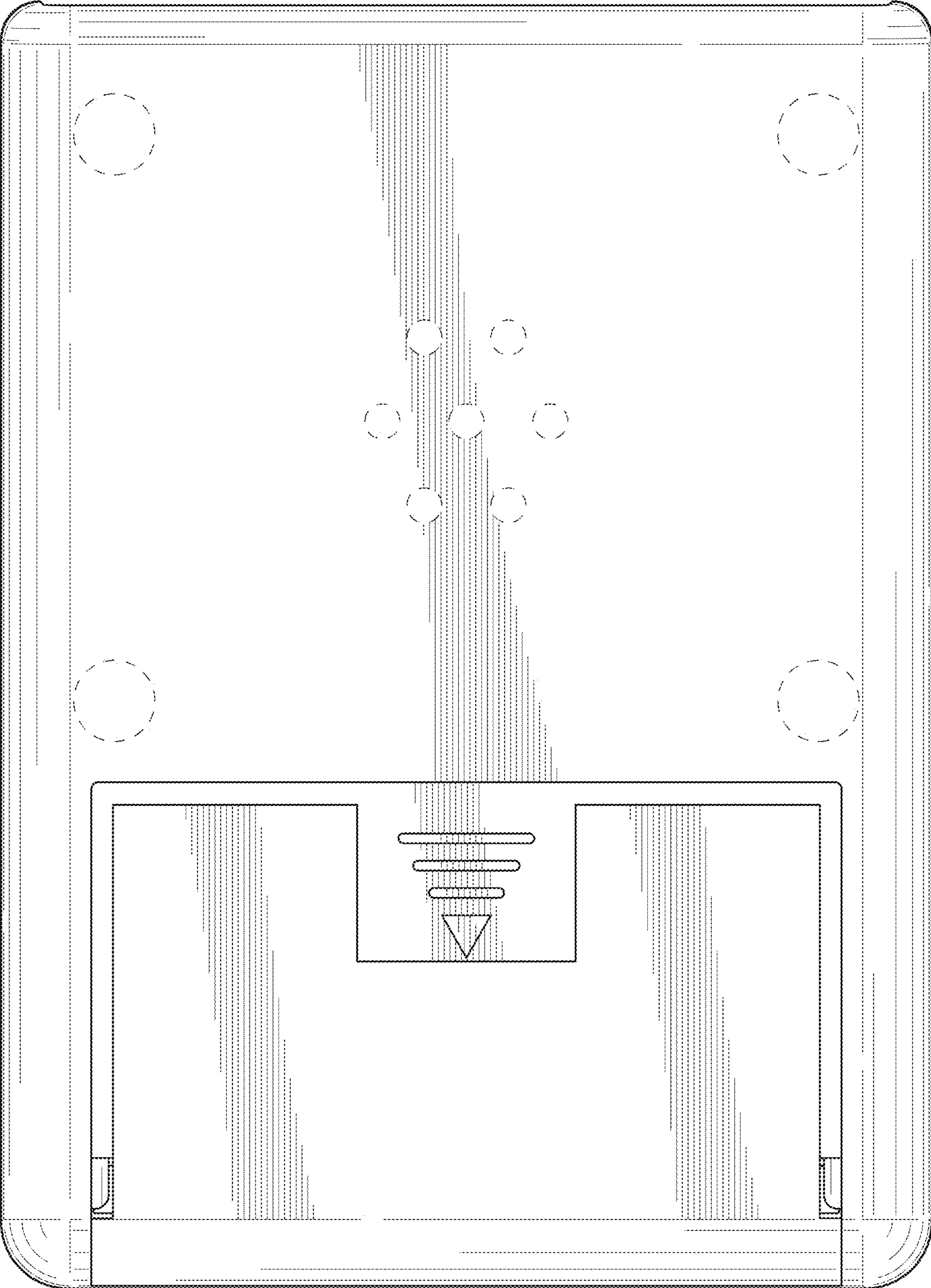


FIG. 5

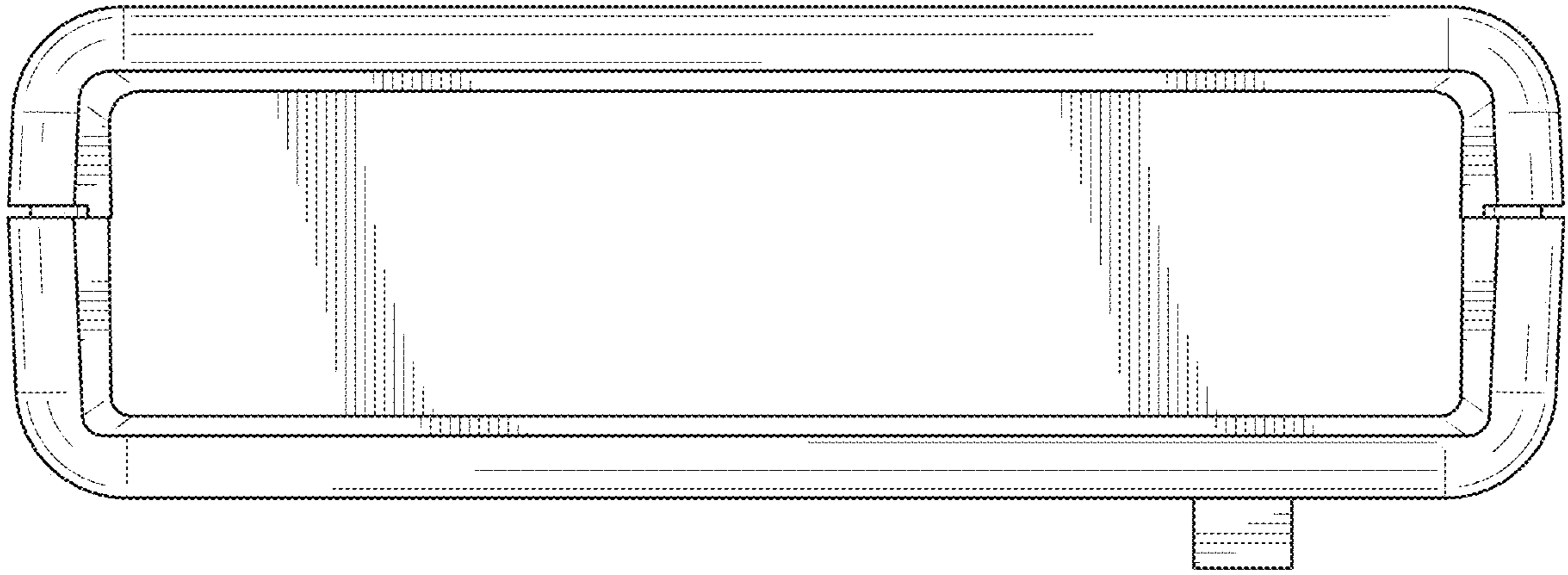


FIG. 7

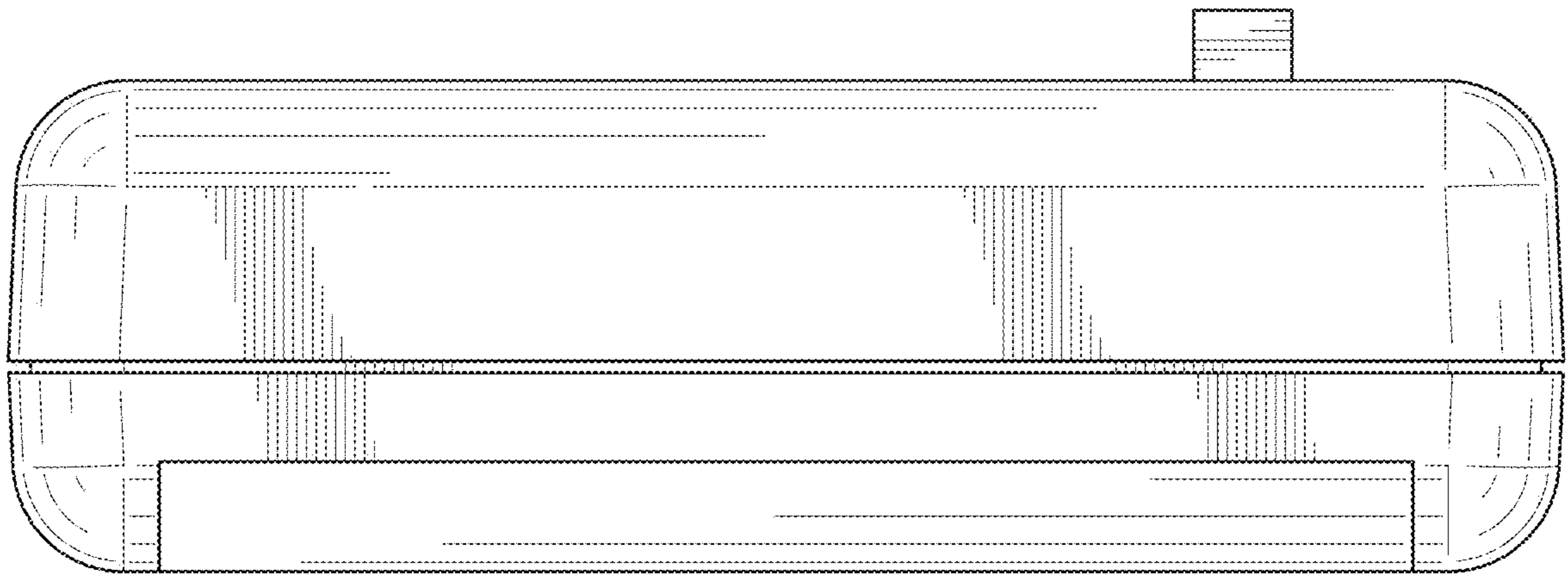


FIG. 8