



US00D915232S

(12) **United States Design Patent** (10) **Patent No.:** **US D915,232 S**
Lee et al. (45) **Date of Patent:** **** *Apr. 6, 2021**

(54) **CASE FOR ELECTRONIC DEVICE**

(71) Applicant: **elago CO. LTD**, Goyang-si (KR)

(72) Inventors: **Chan Woo Lee**, Goyang-si (KR);
Chong Min Kim, Seoul (KR)

(73) Assignee: **elago CO. LTD**, Goyang-si (KR)

(*) Notice: This patent is subject to a terminal disclaimer.

(**) Term: **15 Years**

(21) Appl. No.: **29/648,174**

(22) Filed: **May 18, 2018**

(51) **LOC (13) Cl.** **10-06**

(52) **U.S. Cl.**
USPC **D10/104.1**; D3/201; D3/219; D3/267

(58) **Field of Classification Search**
USPC D3/201, 212, 214, 218, 219, 226, 227,
D3/247, 249, 250, 267, 268, 269, 303;
D13/103, 107, 108, 119; D14/137,
D14/138 R, 138 AA, 138 C, 138 G, 172,
D14/192, 203.3–203.7, 217, 238.1, 247,
D14/248, 250–253, 434, 440, 447, 496;
D10/104.1

CPC H04B 1/3888; H04M 1/0283;
H04M 1/0202; A45C 1/06; A45C
2011/002; A45C 11/00; A45F 2005/028;
A45F 2200/0525

See application file for complete search history.

(56) **References Cited**

U.S. PATENT DOCUMENTS

D357,918 S * 5/1995 Doria D14/218
D397,865 S * 9/1998 Lin D3/218
D484,874 S * 1/2004 Chang D14/250
D518,290 S * 4/2006 Andre D3/218
D540,539 S * 4/2007 Gutierrez D14/484.1
D542,524 S * 5/2007 Richardson D3/218

D551,855 S * 10/2007 Yeh D3/218
D564,221 S * 3/2008 Picot D3/218
D570,593 S * 6/2008 Justiss D3/201
D596,163 S * 7/2009 Madonna D14/218
D600,228 S * 9/2009 Finney D14/138 AC
D633,478 S * 3/2011 Bolton D14/218
D665,386 S * 8/2012 Fathollahi D14/250
D712,135 S * 9/2014 Huang D3/218
D776,640 S * 1/2017 Simonian D14/218
D808,161 S * 1/2018 Herring D3/267
D808,454 S * 1/2018 Seflic D16/200

(Continued)

OTHER PUBLICATIONS

Elago Silicone Case designed for Google Nest Hello Doorbell, earliest photo verified review date Nov. 18, 2018, [online][site visited Aug. 20, 2020] URL: <https://www.amazon.com/elago-Nest-Hello-Case-Brown/dp/B07DJ1M5L4> (Year: 2018).*

Primary Examiner — L. A. Grabenstetter

(74) *Attorney, Agent, or Firm* — Paratus Law Group, PLLC

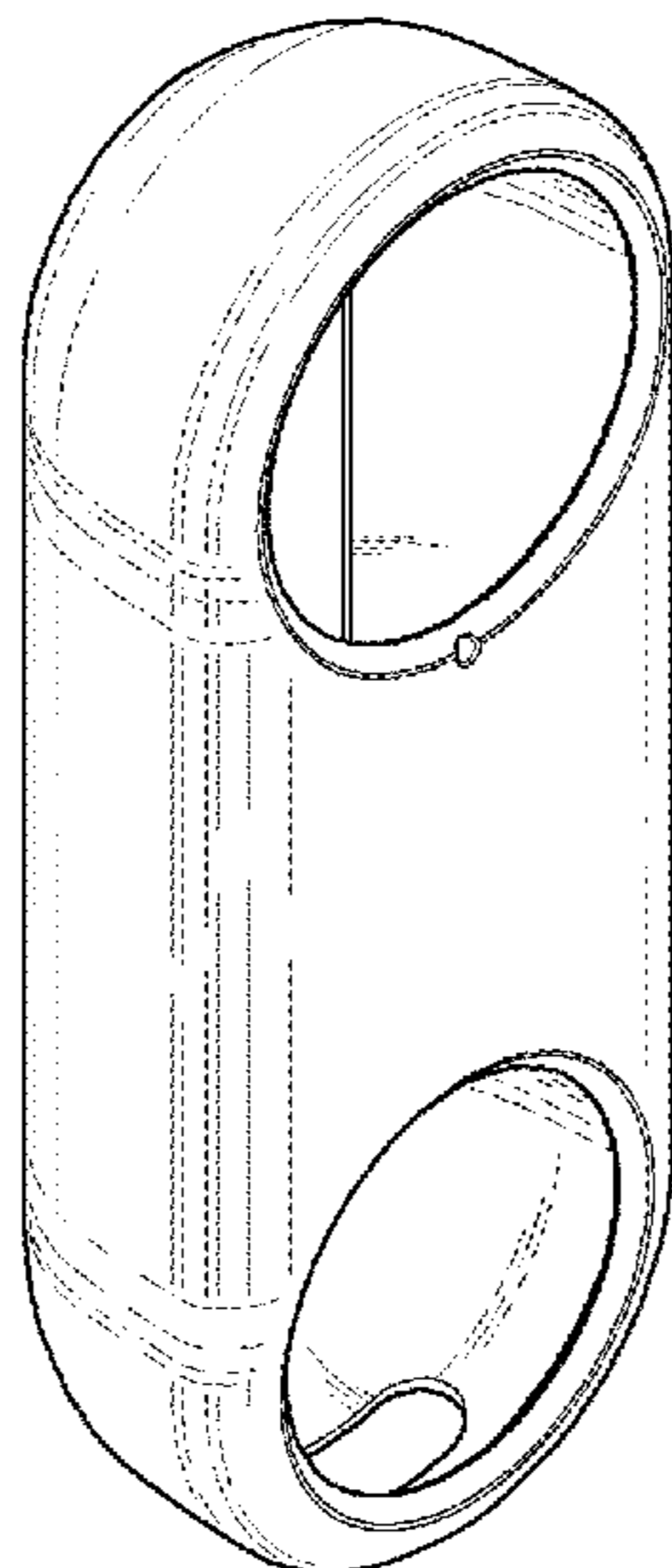
(57) **CLAIM**

The ornamental design for a case for electronic device, as shown and described.

DESCRIPTION

FIG. 1 is a front, top and left perspective view of case for electronic device showing claimed design;
FIG. 2 is a front view thereof;
FIG. 3 is a back view thereof;
FIG. 4 is a left side view thereof;
FIG. 5 is a right side view thereof;
FIG. 6 is a top view thereof;
FIG. 7 is a bottom view thereof;
FIG. 8 is a front, top and left perspective view in use; and,
FIG. 9 is a front, bottom and left perspective view in use.
The broken lines depict environment and form no part of the claimed design.

1 Claim, 5 Drawing Sheets



(56)

References Cited

U.S. PATENT DOCUMENTS

| | | | |
|-------------------|---------|---------------|----------------------|
| D830,564 S * | 10/2018 | Kim | D24/200 |
| D836,147 S * | 12/2018 | Rao | D16/203 |
| D850,315 S * | 6/2019 | Laurans | D10/118.2 |
| D885,951 S * | 6/2020 | Lee | D10/104.1 |
| 2009/0084705 A1 * | 4/2009 | Justiss | A45F 5/02 206/724 |

* cited by examiner

FIG. 1

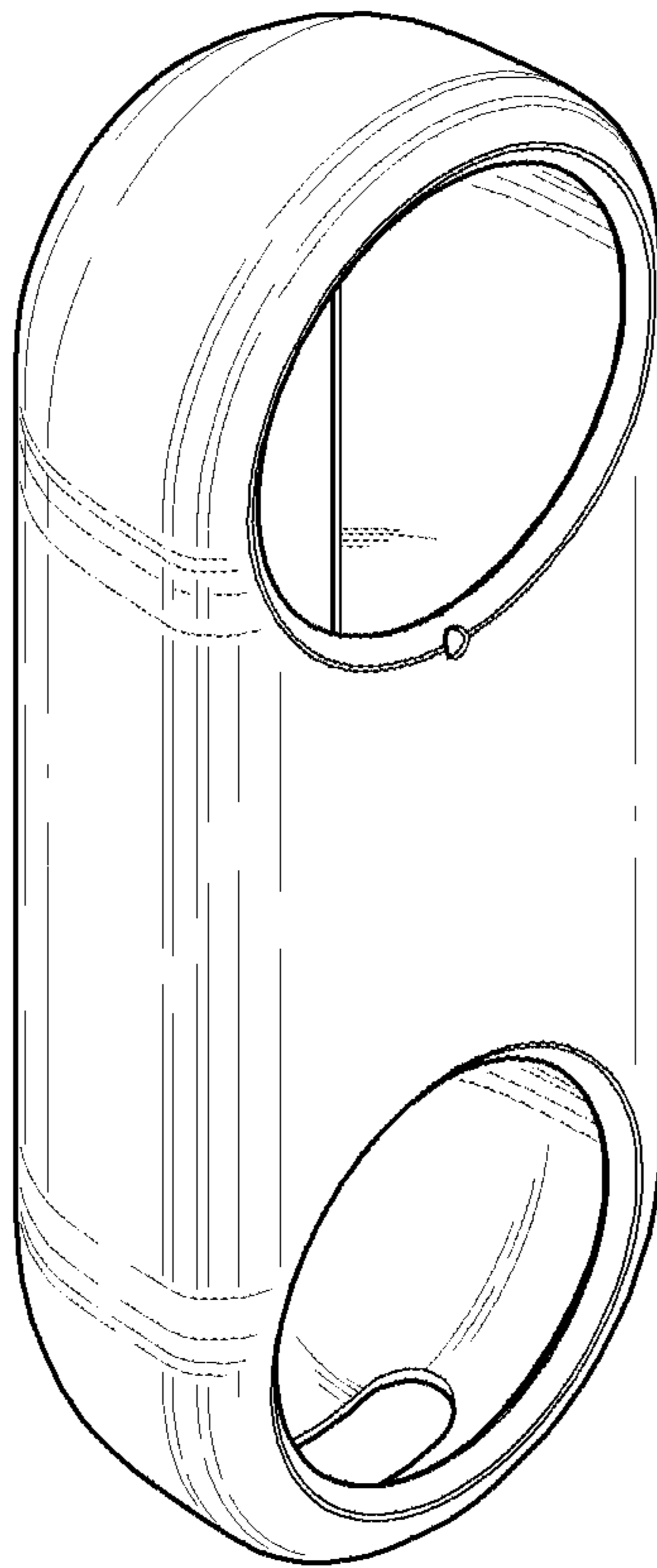


FIG. 2

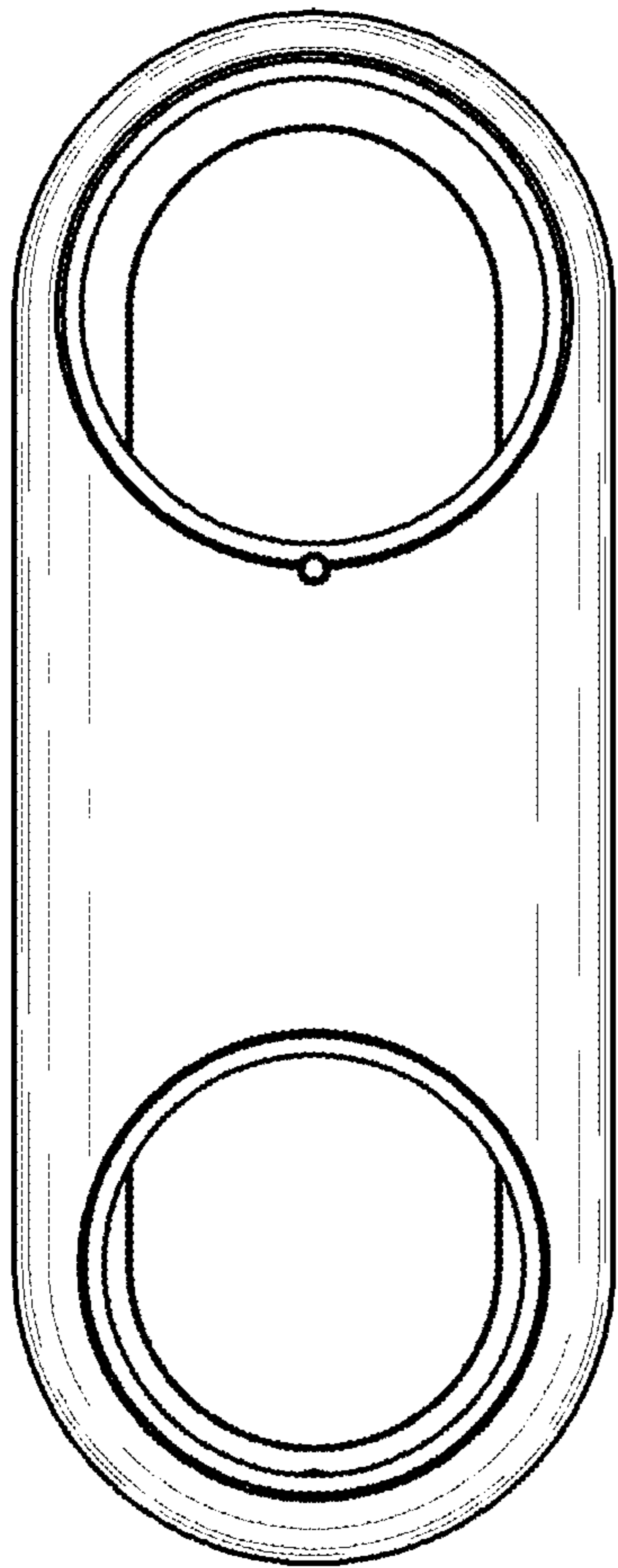


FIG. 3

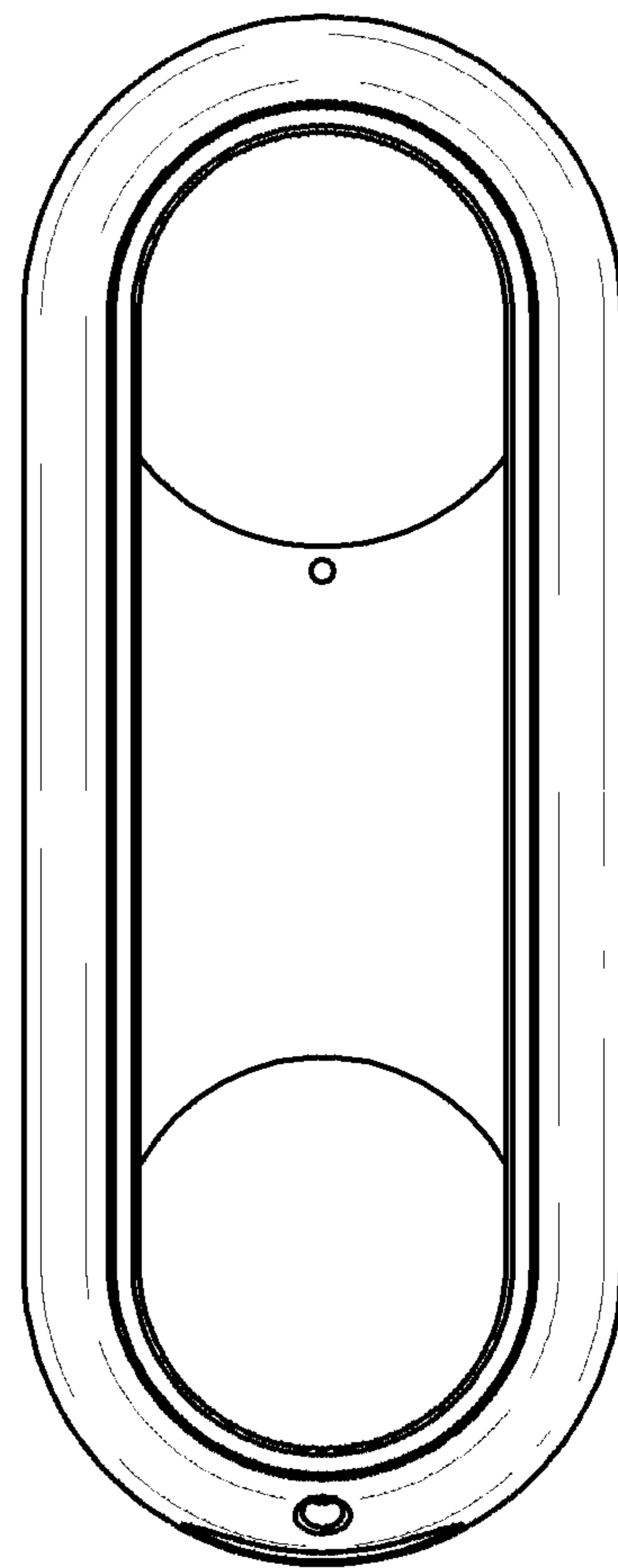


FIG. 4

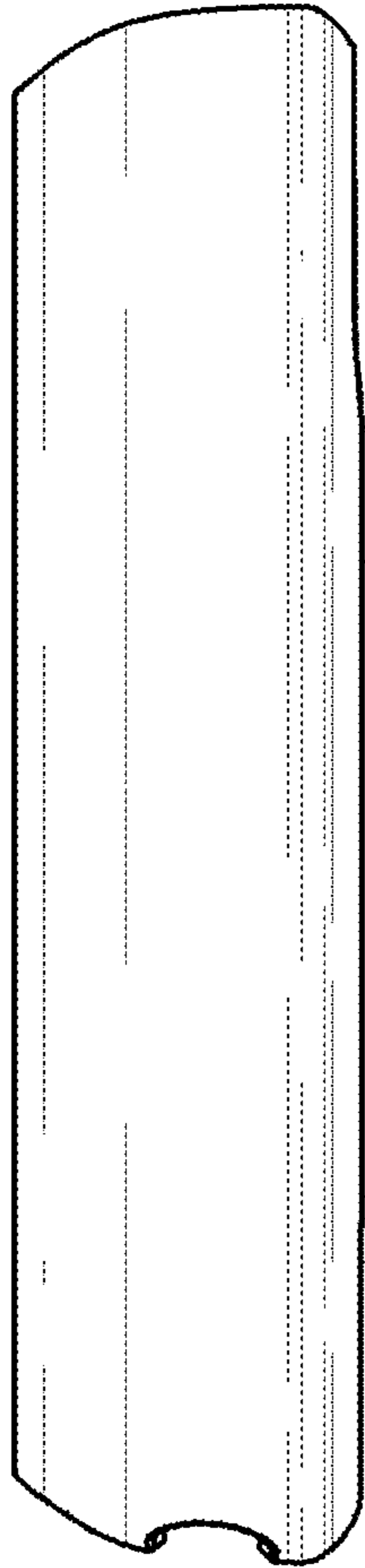


FIG. 5

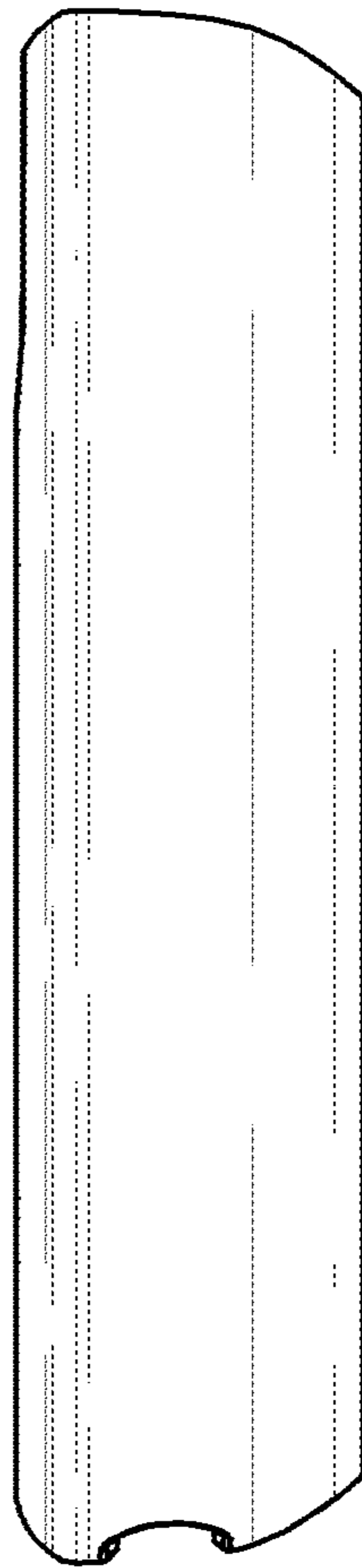


FIG. 6

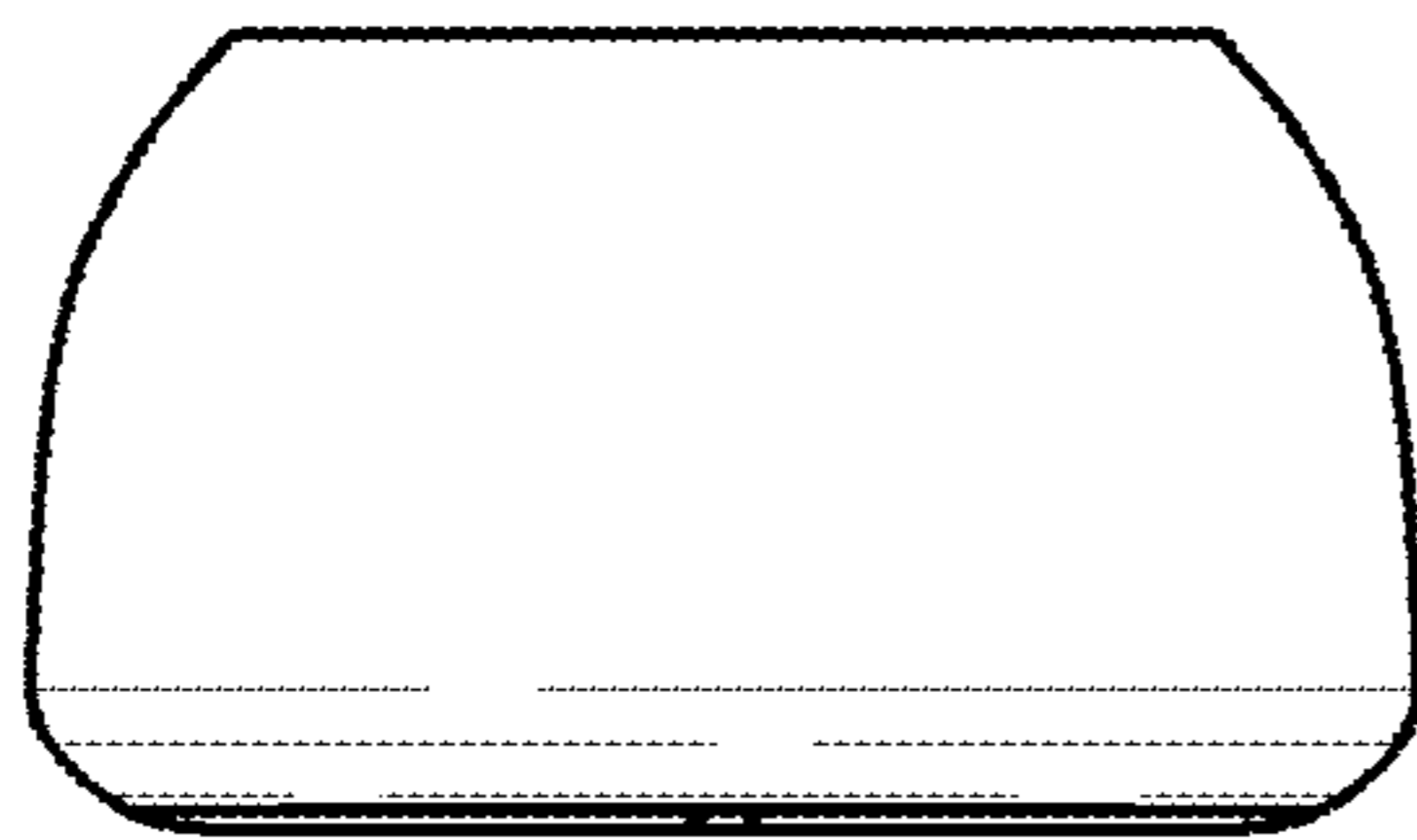


FIG. 7

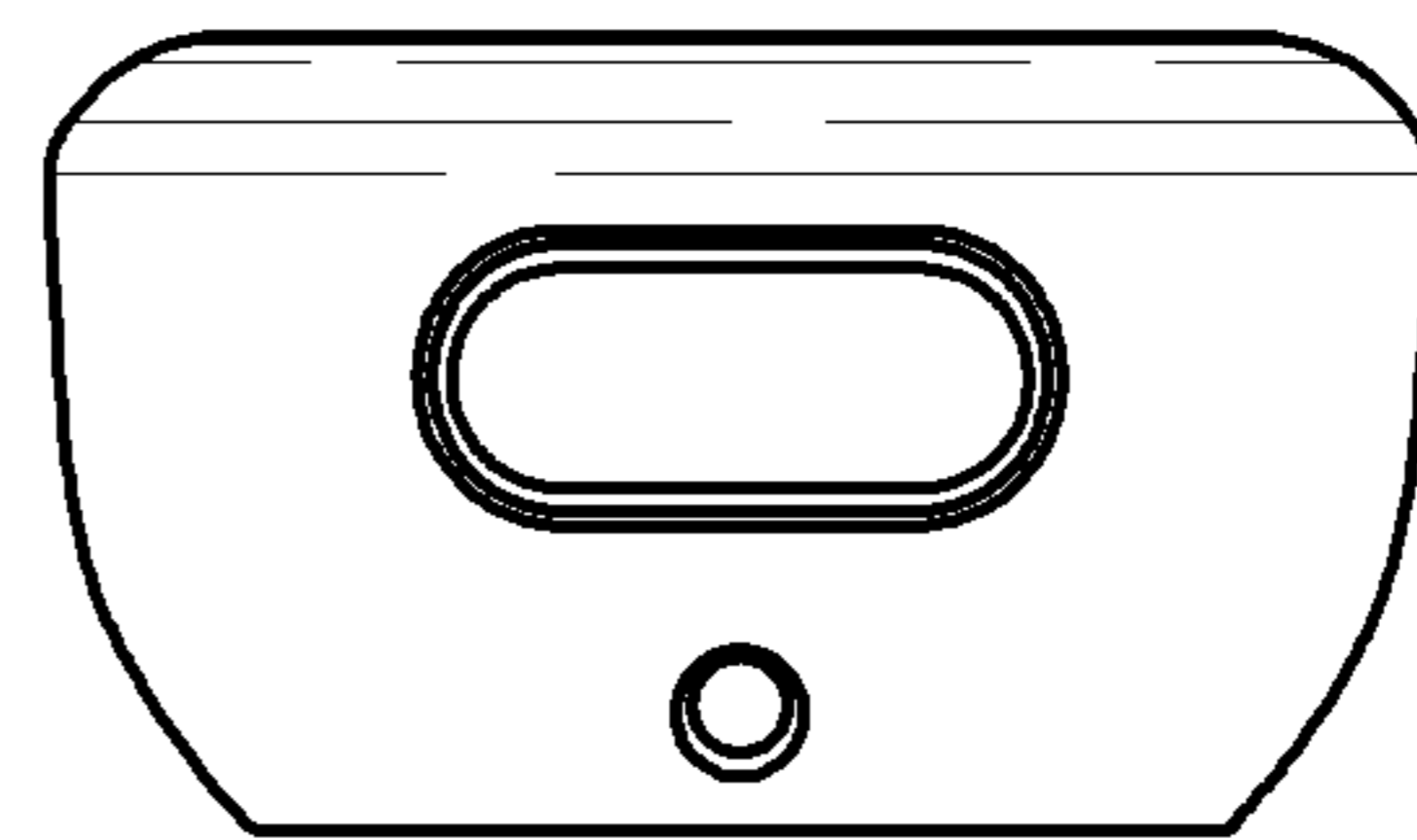


FIG. 8

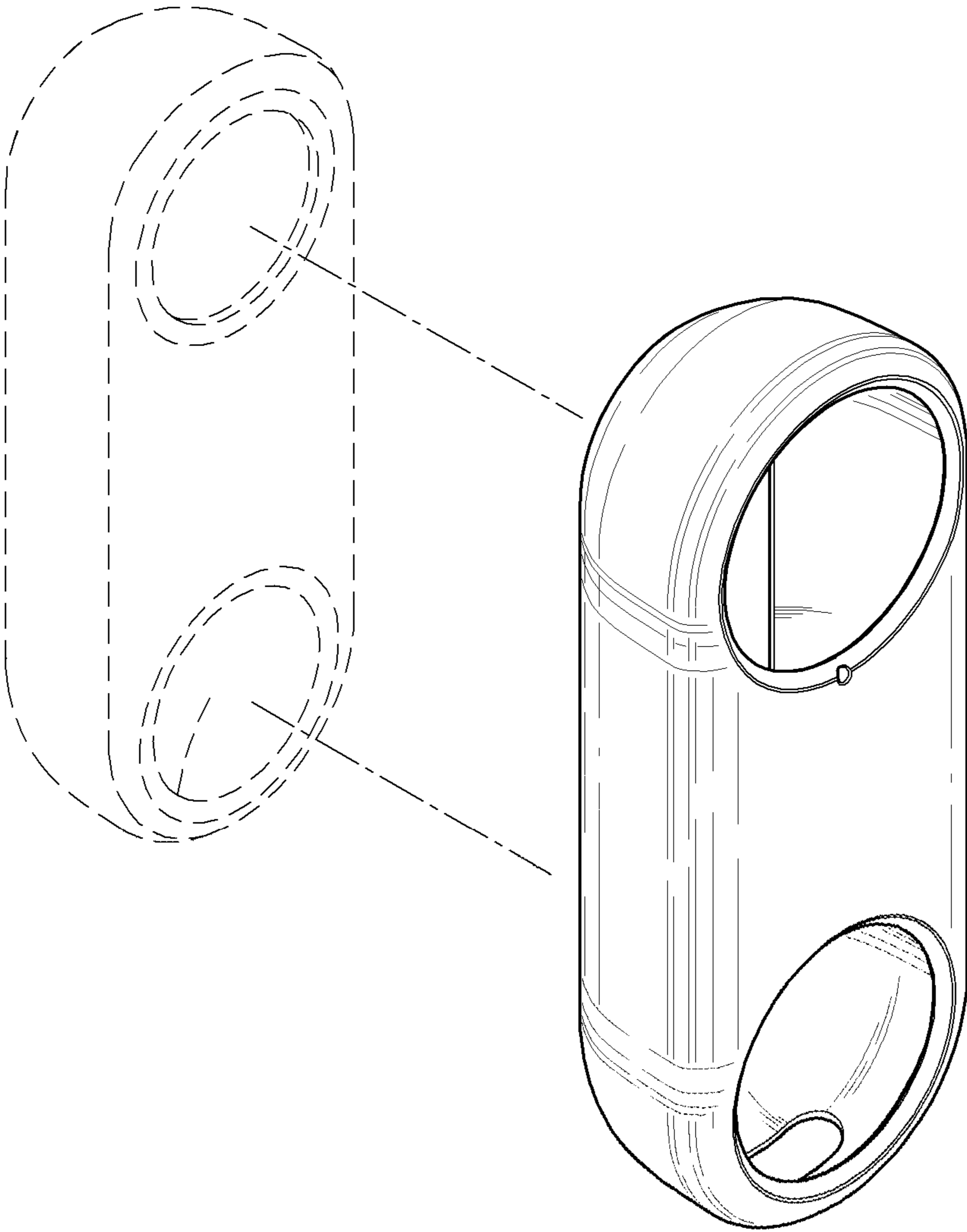


FIG. 9

