



US00D915230S

(12) **United States Design Patent** (10) **Patent No.:** **US D915,230 S**
Cook et al. (45) **Date of Patent:** **** Apr. 6, 2021**

- (54) **ERGONOMIC TAPE MEASURE**
- (71) Applicant: **Stanley Black & Decker, Inc.**, New Britain, CT (US)
- (72) Inventors: **Vincent Cook**, Milford, CT (US); **Antony Orsini**, Oradell, NJ (US)
- (73) Assignee: **Stanley Black & Decker, Inc.**, New Britain, CT (US)
- (**) Term: **15 Years**
- (21) Appl. No.: **29/696,430**
- (22) Filed: **Jun. 27, 2019**

| | | | | |
|----------------|---------|------------|-------|-----------------------|
| D579,359 S * | 10/2008 | Critelli | | D10/72 |
| D582,810 S * | 12/2008 | Cook | | D10/72 |
| D590,283 S * | 4/2009 | Critelli | | D10/74 |
| D590,284 S * | 4/2009 | Critelli | | D10/74 |
| D611,849 S * | 3/2010 | Cook | | D10/72 |
| D650,712 S * | 12/2011 | Everett | | D10/72 |
| D670,182 S * | 11/2012 | Carl | | D10/72 |
| D670,183 S * | 11/2012 | Carl | | D10/72 |
| D700,530 S * | 3/2014 | Carl | | D10/72 |
| D703,073 S * | 4/2014 | Carl | | D10/74 |
| 8,793,890 B2 * | 8/2014 | Delneo | | G01B 3/1041 33/769 |
| D725,513 S * | 3/2015 | Horovitz | | D10/72 |
| D726,043 S * | 4/2015 | Cook | | D10/72 |
| D733,597 S * | 7/2015 | Hyma | | D10/72 |
| D783,430 S * | 4/2017 | Wortelboer | | D10/72 |
| D787,347 S * | 5/2017 | Wortelboer | | D10/72 |

(Continued)

Related U.S. Application Data

- (62) Division of application No. 29/596,445, filed on Mar. 8, 2017, now abandoned.
- (51) **LOC (13) Cl.** **10-04**
- (52) **U.S. Cl.**
USPC **D10/72**
- (58) **Field of Classification Search**
USPC D10/46, 70-72
CPC G01B 3/1041; G01B 3/1005; G01B 3/102;
G01B 3/1056; G01B 3/1084; G01B
2003/102

See application file for complete search history.

FOREIGN PATENT DOCUMENTS

- CA 3000473 A1 * 10/2018 G01B 3/1041
- Primary Examiner* — Michael C Stout
- Assistant Examiner* — Fritzgerald L Butac
- (74) *Attorney, Agent, or Firm* — Gabriel A. Haboubi

(57) **CLAIM**

The ornamental design for an ergonomic tape measure, as shown and described.

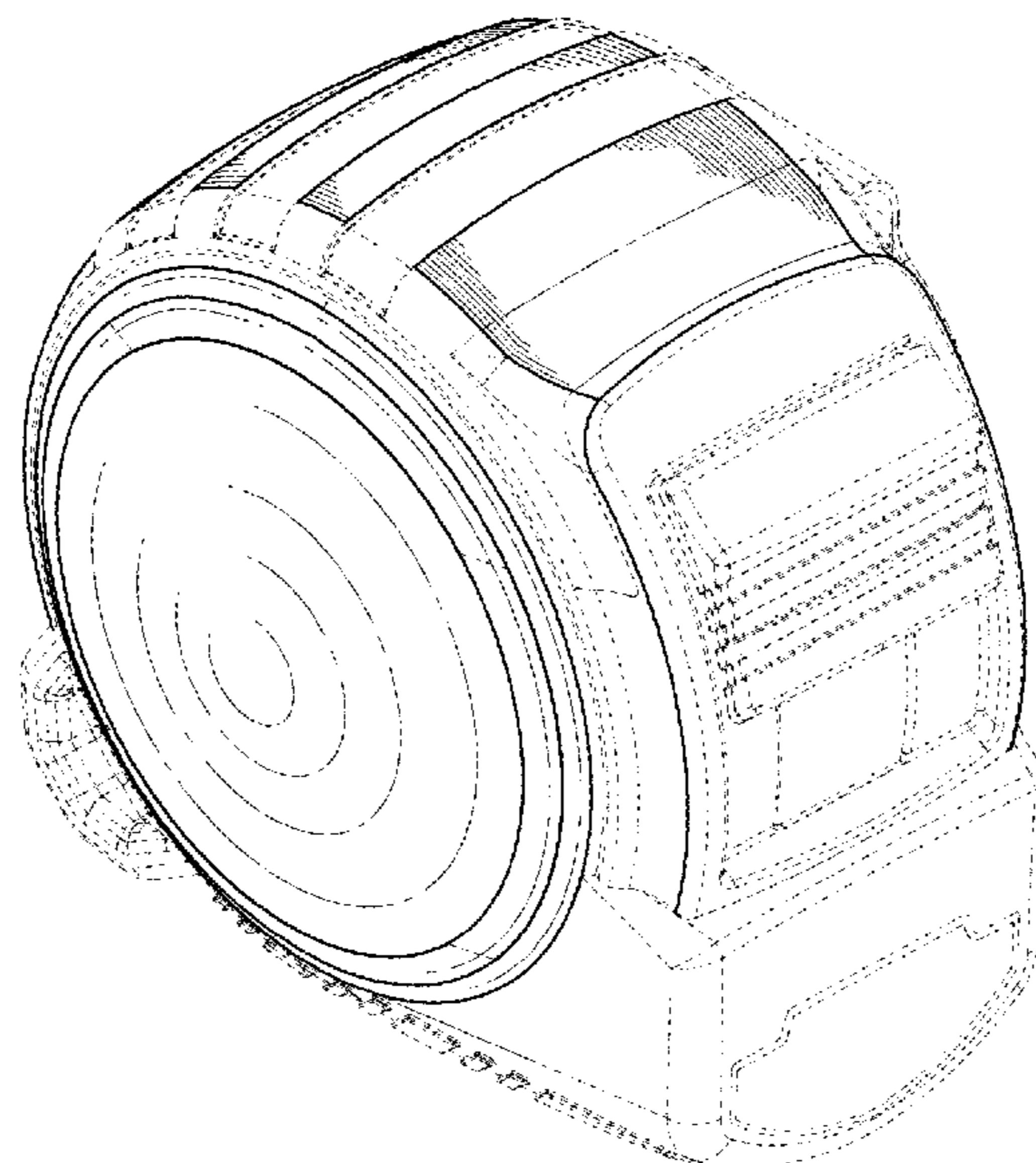
DESCRIPTION

FIG. 1 is a perspective view of our new design.
 FIG. 2 is a left side view thereof.
 FIG. 3 is a right side view thereof.
 FIG. 4 is a front view thereof.
 FIG. 5 is a back view thereof.
 FIG. 6 is a top view thereof; and,
 FIG. 7 is a bottom view thereof.
 The broken lines show portions of an ergonomic tape measure that form no part of the claimed design.

1 Claim, 7 Drawing Sheets

(56) **References Cited**
U.S. PATENT DOCUMENTS

| | | | | |
|----------------|---------|---------------|-------|-----------------------|
| D419,081 S * | 1/2000 | Evans, Jr. | | D10/72 |
| D424,955 S * | 5/2000 | Hizawa | | D10/72 |
| D459,253 S * | 6/2002 | von Wedemeyer | | D10/72 |
| D471,118 S * | 3/2003 | Evans, Jr. | | D10/72 |
| D471,827 S * | 3/2003 | Ranieri | | D10/72 |
| D490,005 S * | 5/2004 | Hsu | | D10/72 |
| 6,807,747 B1 * | 10/2004 | Hsu | | G01B 3/1005 33/769 |
| D507,195 S * | 7/2005 | Kondo | | D10/72 |



(56)

References Cited

U.S. PATENT DOCUMENTS

| | | | |
|-----------------|---------|------------------|------------|
| D788,611 S * | 6/2017 | Anderson | D10/72 |
| D805,930 S * | 12/2017 | Ou | D10/72 |
| D817,200 S * | 5/2018 | Wortelboer | D10/72 |
| D826,750 S * | 8/2018 | Cook | D10/74 |
| D842,143 S * | 3/2019 | Richey | D10/74 |
| D856,175 S * | 8/2019 | Anderson | D10/72 |
| 10,422,616 B2 * | 9/2019 | Orsini | F16F 1/121 |
| D865,547 S * | 11/2019 | Jung | D10/72 |

* cited by examiner

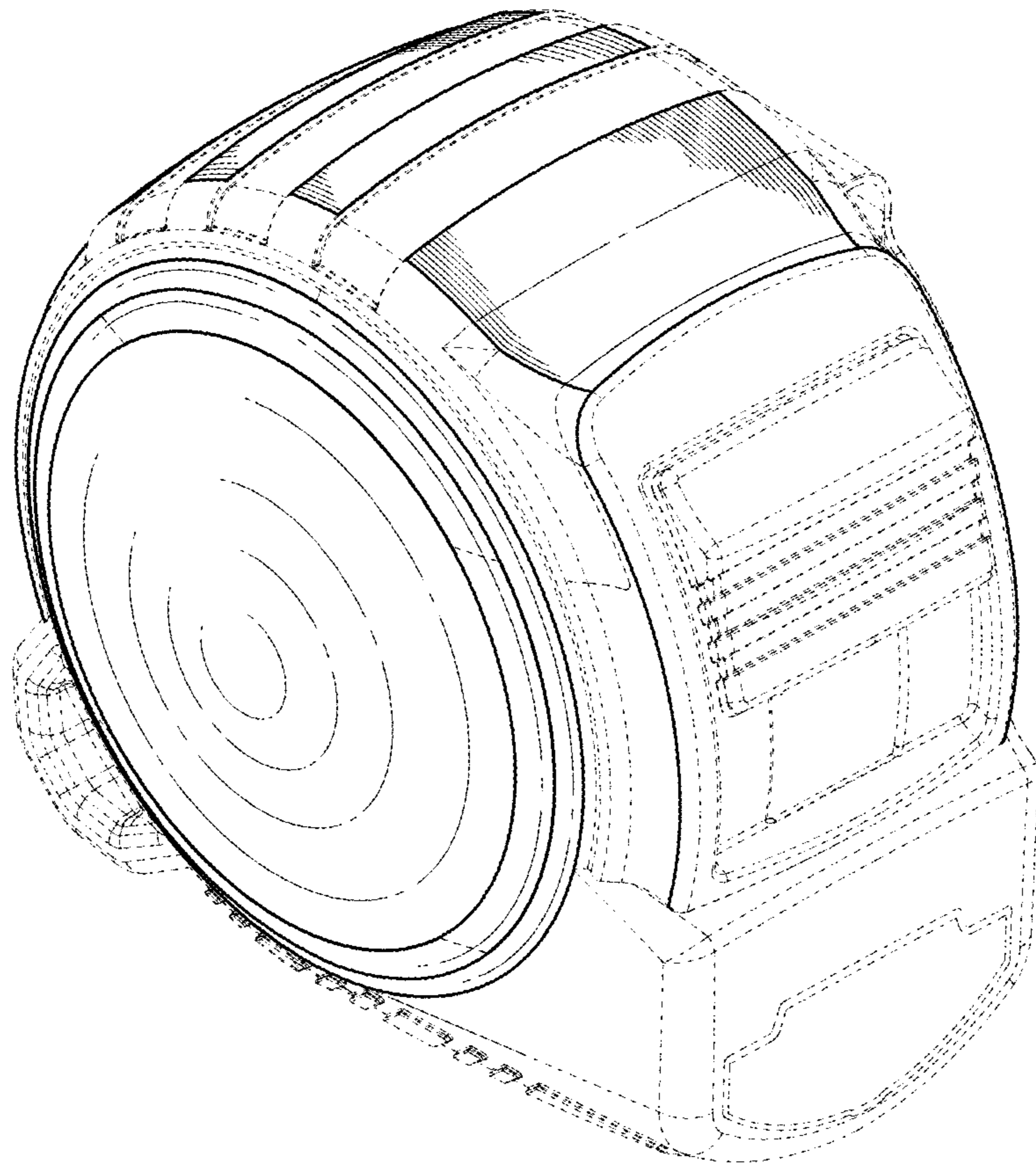


FIG. 1

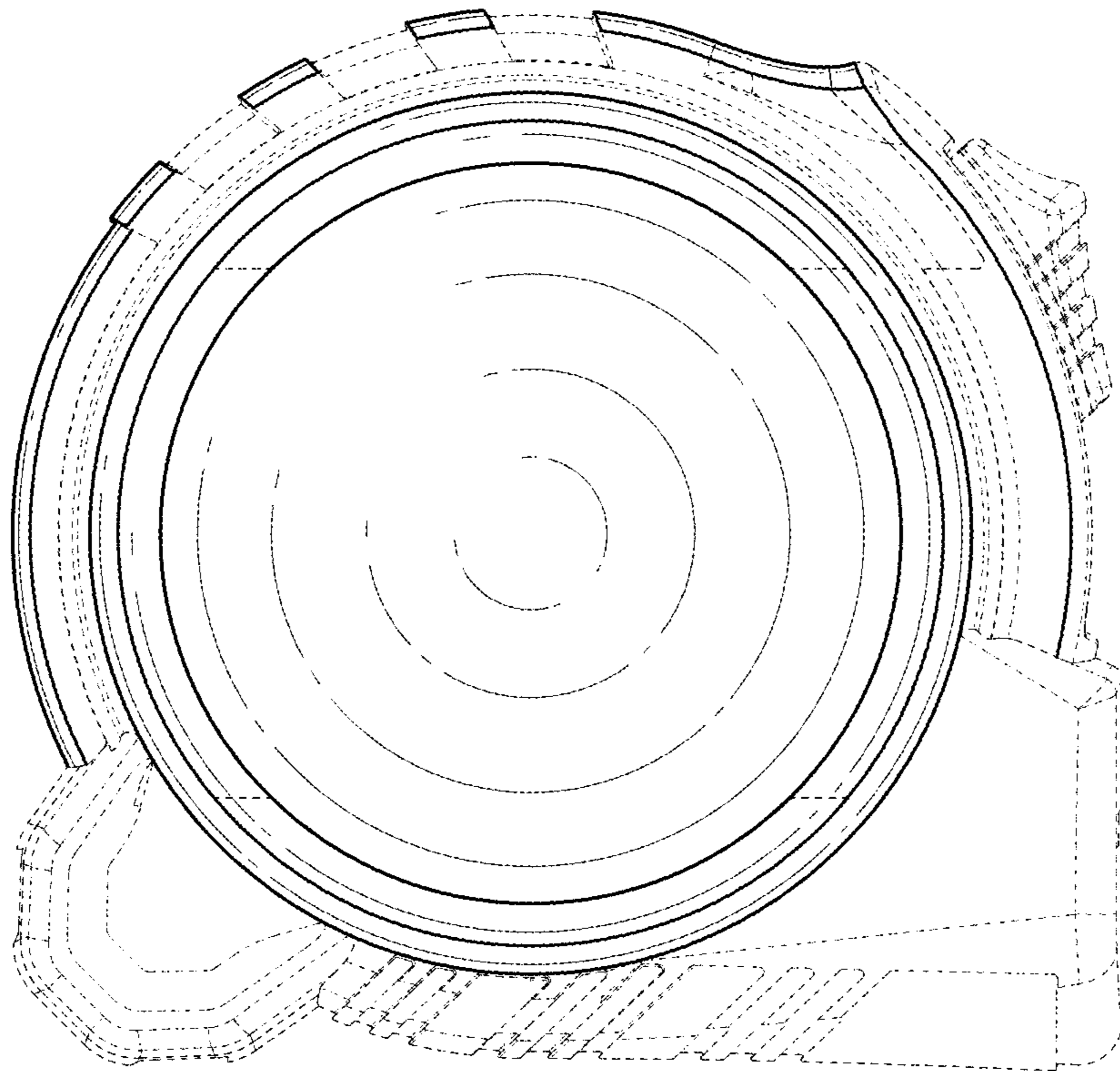


FIG. 2

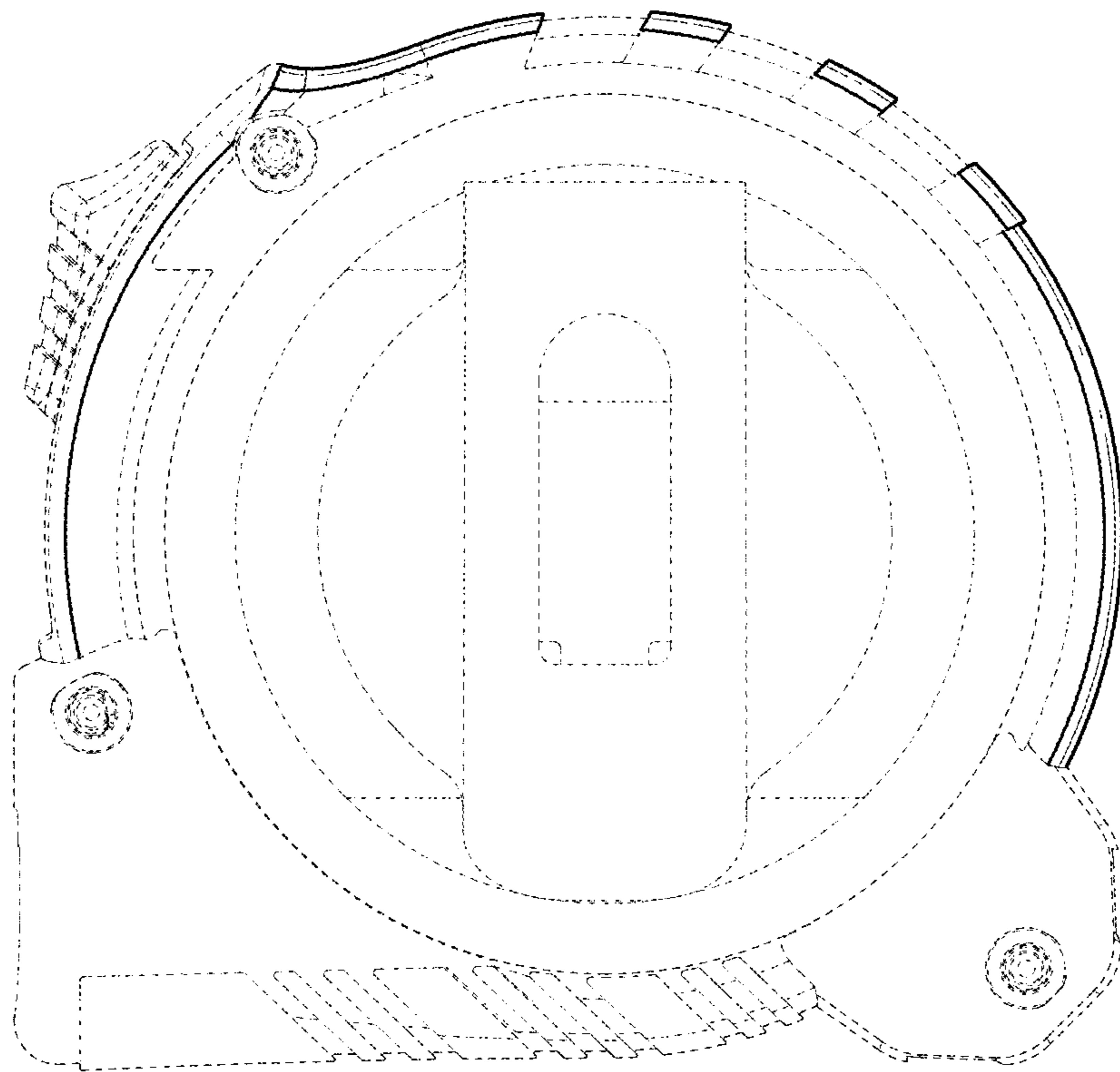


FIG. 3

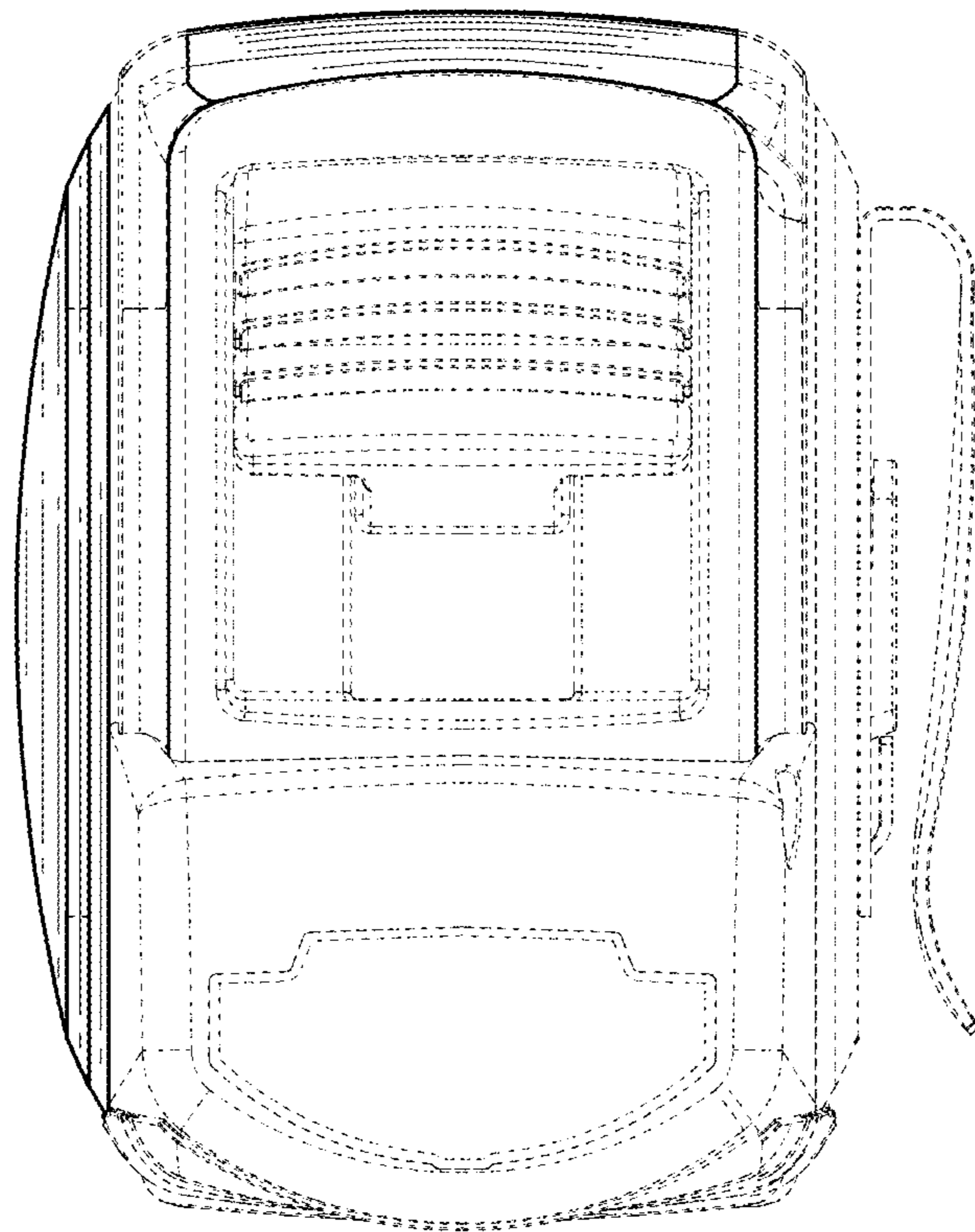


FIG. 4

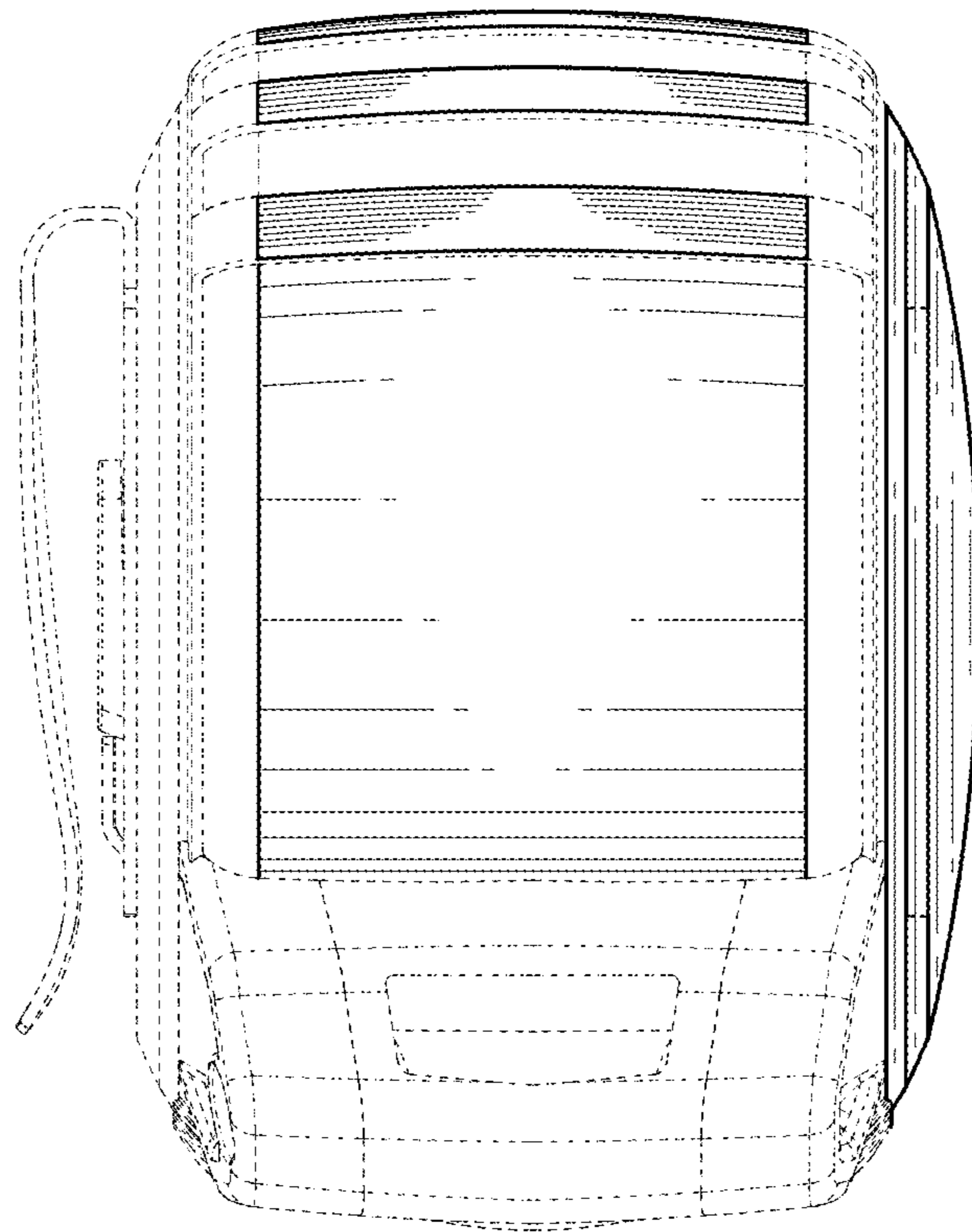


FIG. 5

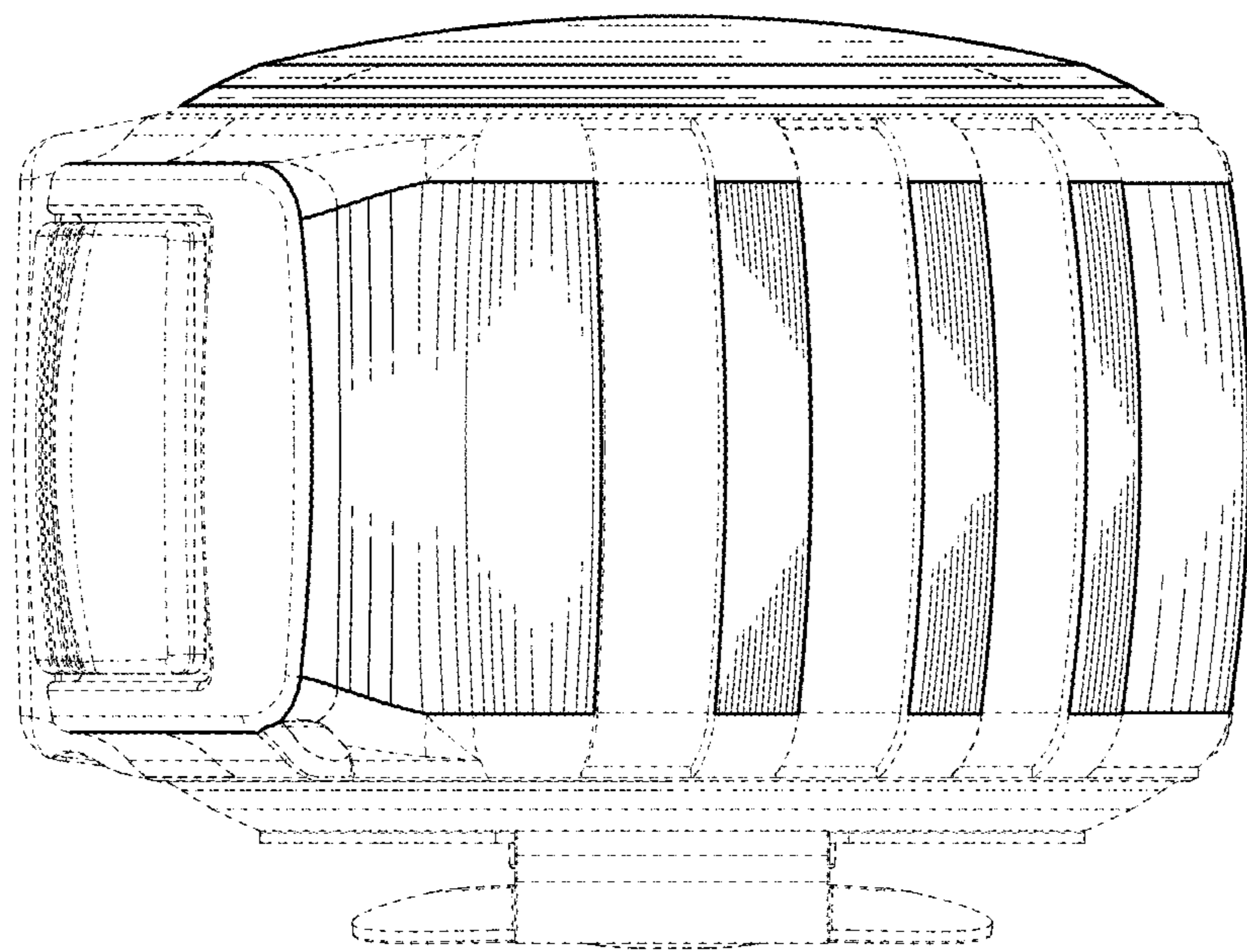


FIG. 6

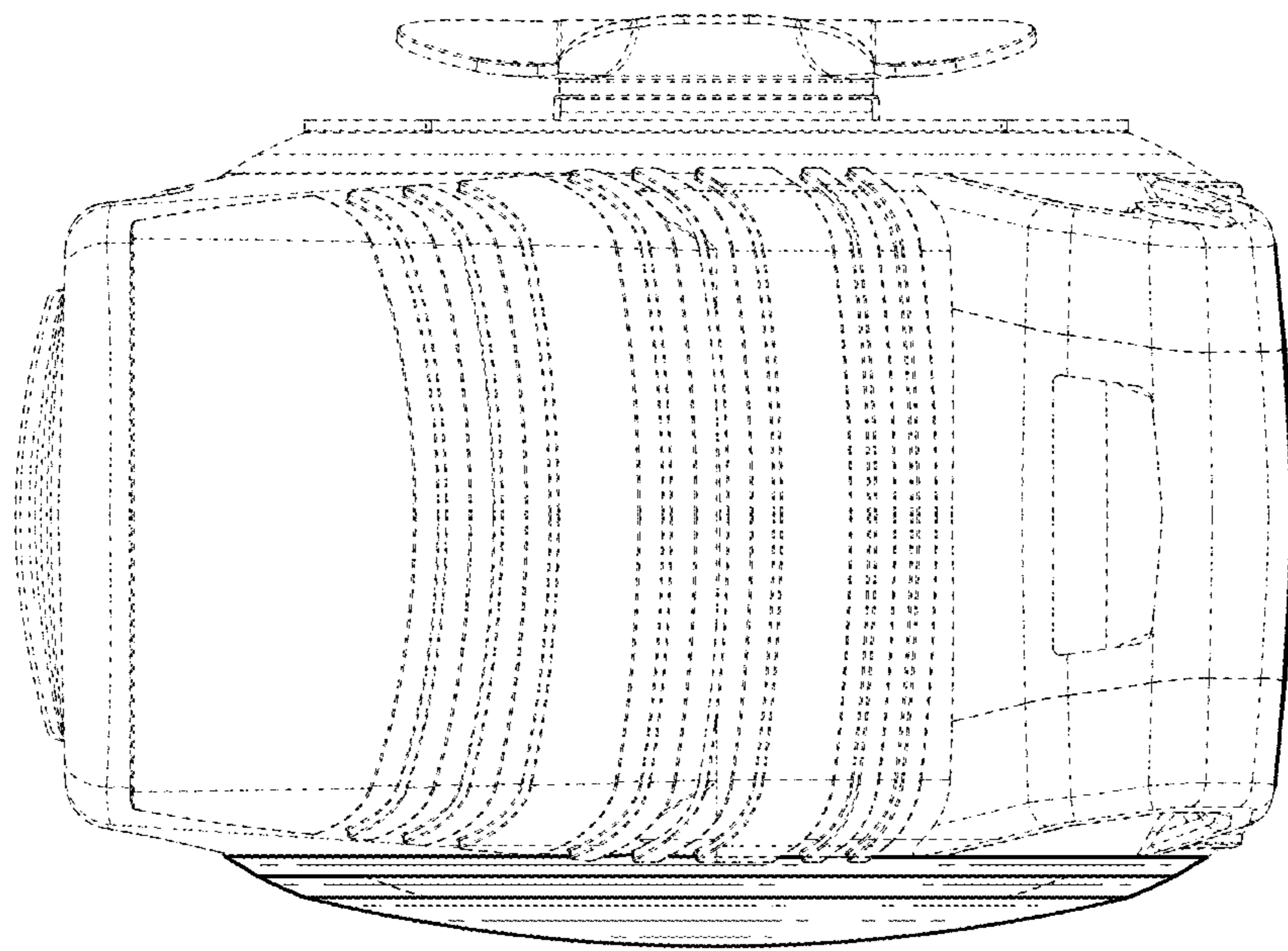


FIG. 7