



US00D915226S

(12) **United States Design Patent**
Matthes et al.

(10) **Patent No.:** **US D915,226 S**
(45) **Date of Patent:** **** Apr. 6, 2021**

(54) **LIGHTNING DETECTOR**
(71) Applicants: **Robert W. Matthes**, Gulfport, FL (US);
John R. Monteith, New Port Richer,
FL (US); **Cornelius K. Hamilton**,
Wesley Chapel, FL (US)

(72) Inventors: **Robert W. Matthes**, Gulfport, FL (US);
John R. Monteith, New Port Richer,
FL (US); **Cornelius K. Hamilton**,
Wesley Chapel, FL (US)

(73) Assignee: **Precision Measurement Technologies,**
LLC, Clearwater, FL (US)

(**) Term: **15 Years**

(21) Appl. No.: **29/690,851**

(22) Filed: **May 10, 2019**

(51) **LOC (13) Cl.** **10-04**

(52) **U.S. Cl.**
USPC **D10/52; D10/105**

(58) **Field of Classification Search**
USPC **D10/52, 105**
CPC ... **G01W 1/00; G01W 2001/003; G01W 1/02;**
G01W 1/04; G01W 1/11; G01W 1/16;
G01W 1/18

See application file for complete search history.

(56) **References Cited**

U.S. PATENT DOCUMENTS

5,357,795 A * 10/1994 Djorup G01P 5/01
73/170.12

6,828,911 B2 * 12/2004 Jones G01W 1/16
324/457
9,674,323 B1 * 6/2017 Yu H04M 1/0274
D876,247 S * 2/2020 Hernandez D10/52

* cited by examiner

Primary Examiner — Antoine Duval Davis

(74) *Attorney, Agent, or Firm* — Daniel F. Nesbitt; Hasse
& Nesbitt LLC

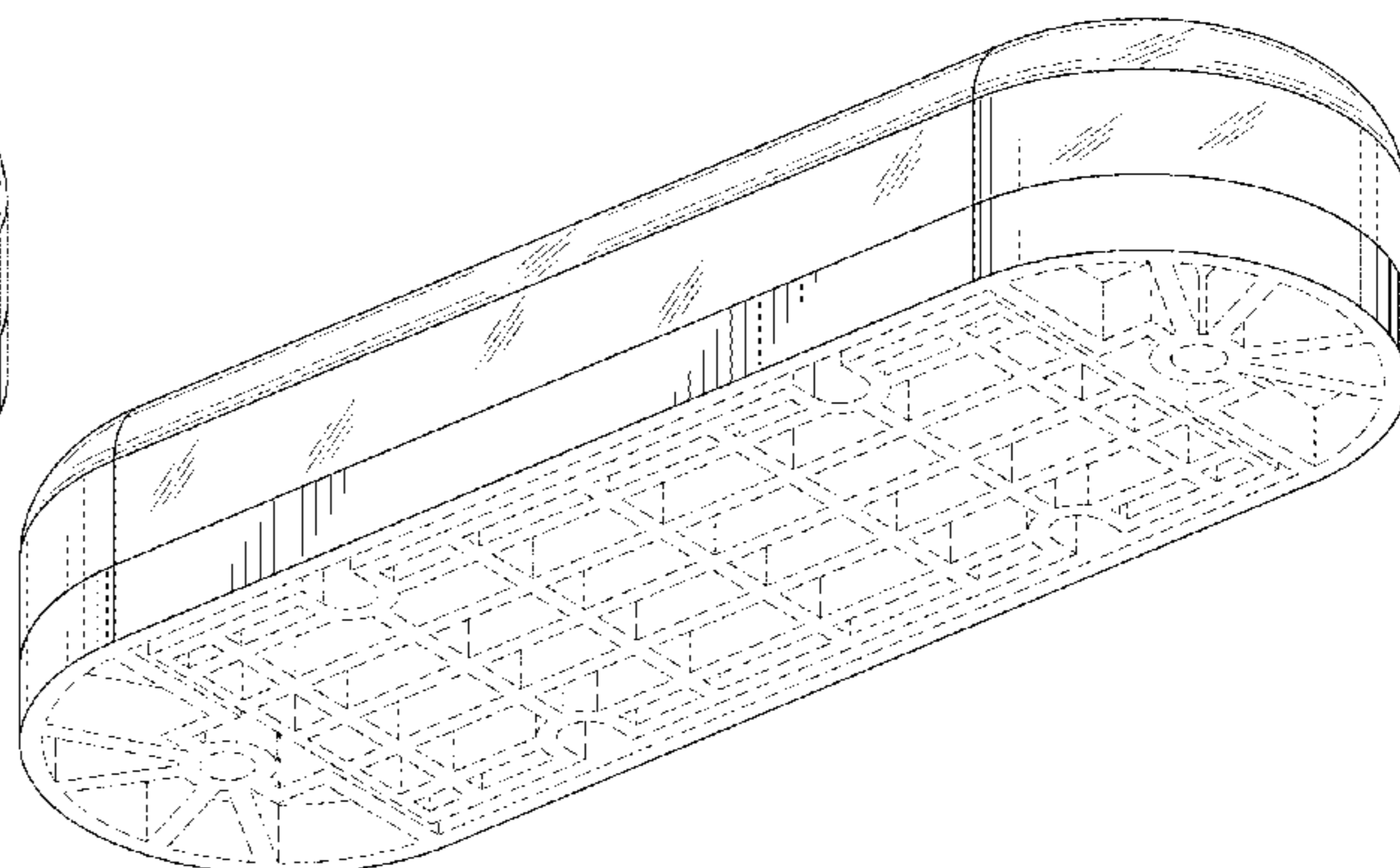
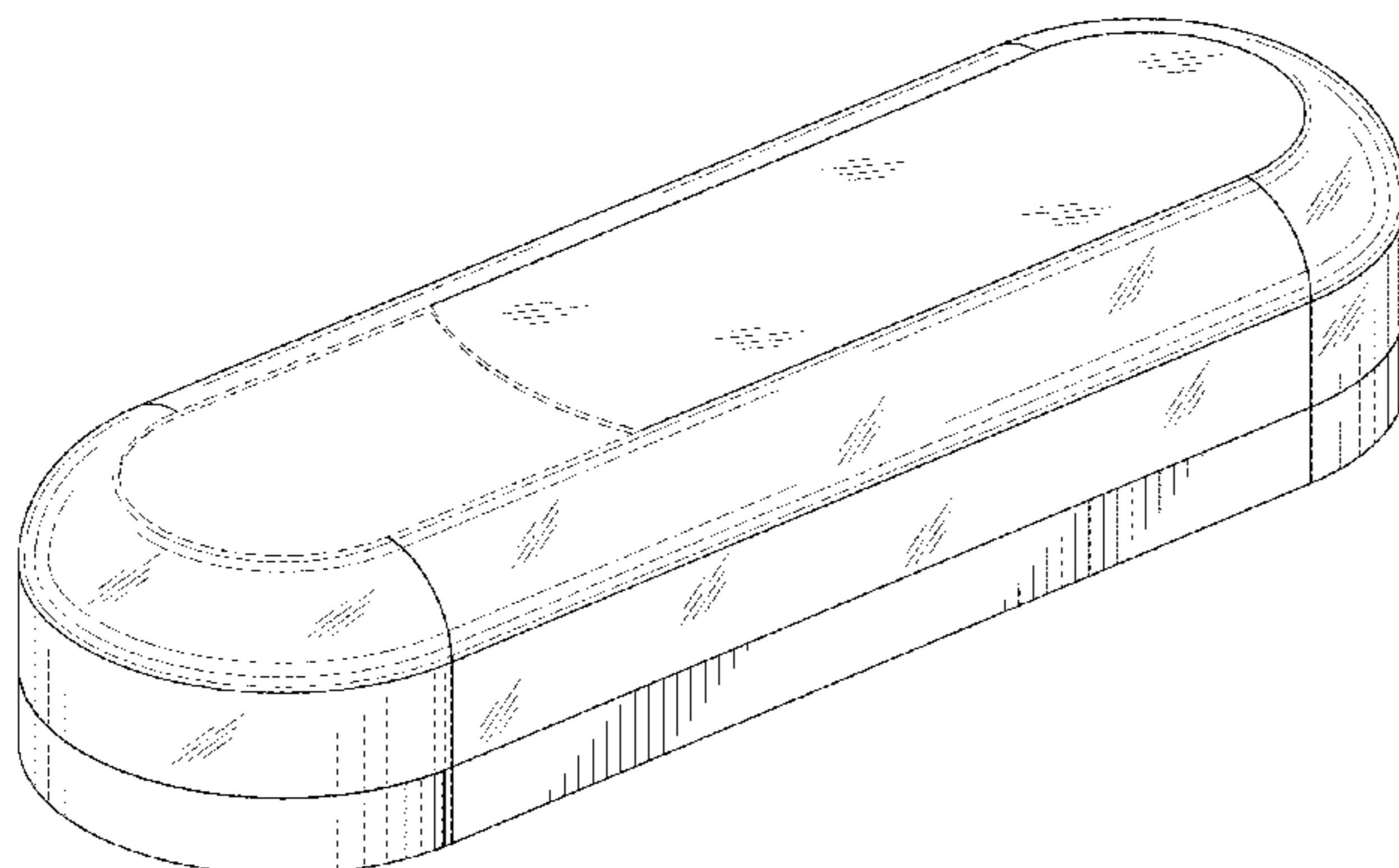
(57) **CLAIM**

The ornamental design for a lightning detector, as shown and
described.

DESCRIPTION

FIG. 1 is an elevated frontal perspective view of our new
design for a lightning detector;
FIG. 2 is a bottom side perspective view thereof;
FIG. 3 is an elevated right side view thereof, the left side
being identical;
FIG. 4 is an elevated front end view thereof, the back end
view being identical;
FIG. 5 is a top plan view thereof; and,
FIG. 6 is a bottom plan view thereof.
The broken lines in the drawing illustrate portions of the
lightning detector that form no part of the claimed design.

1 Claim, 6 Drawing Sheets



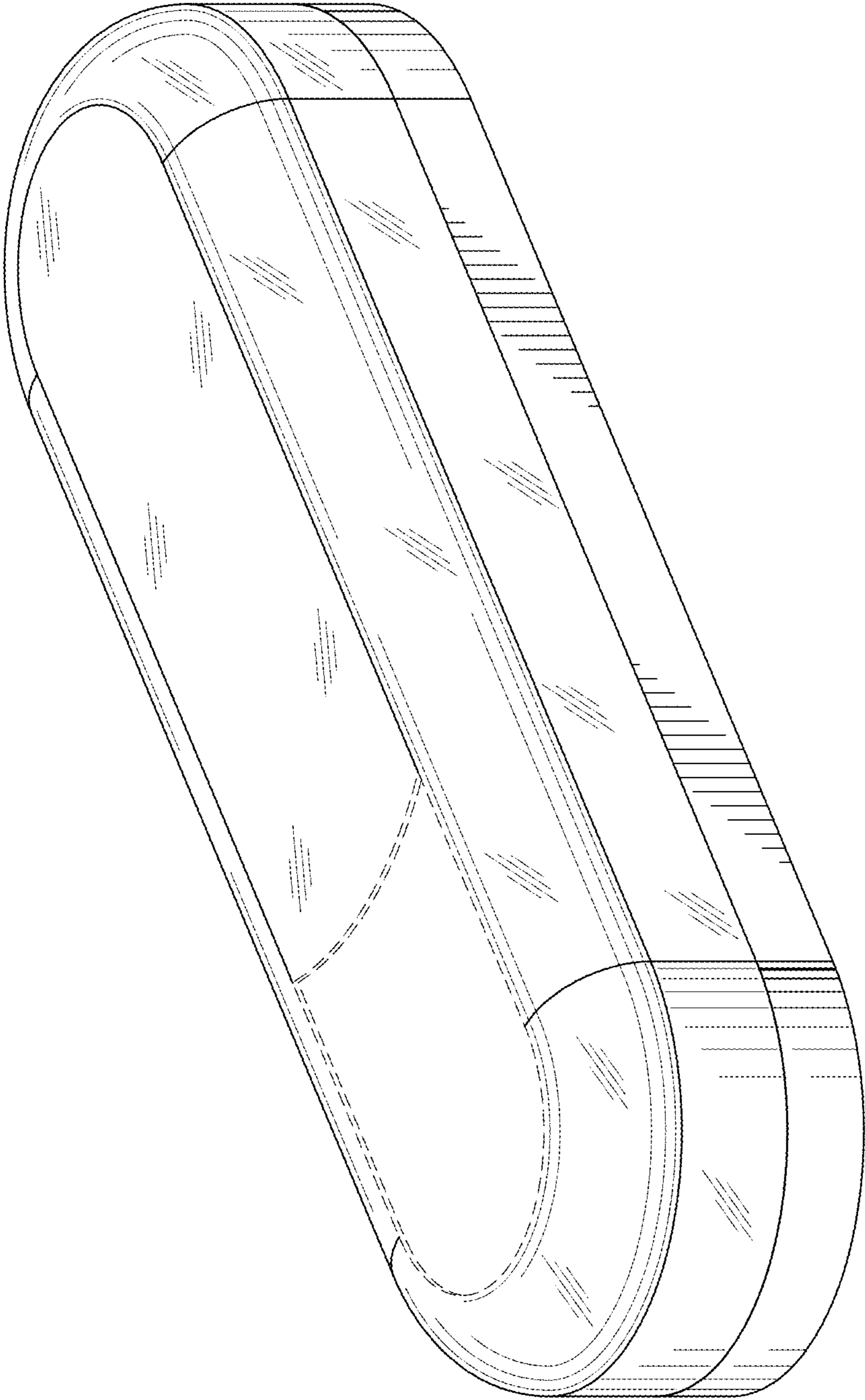


Fig. 1

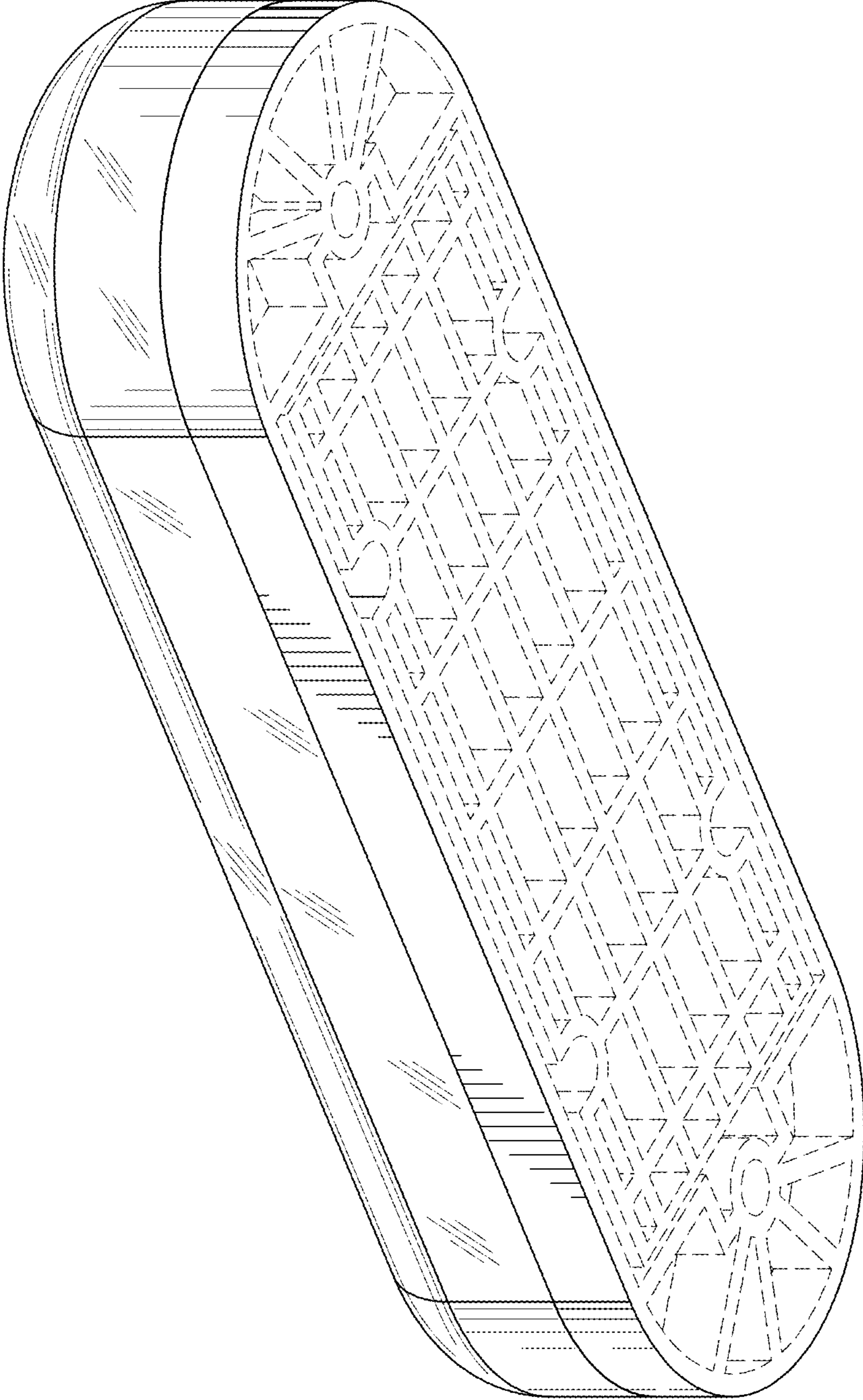


Fig. 2

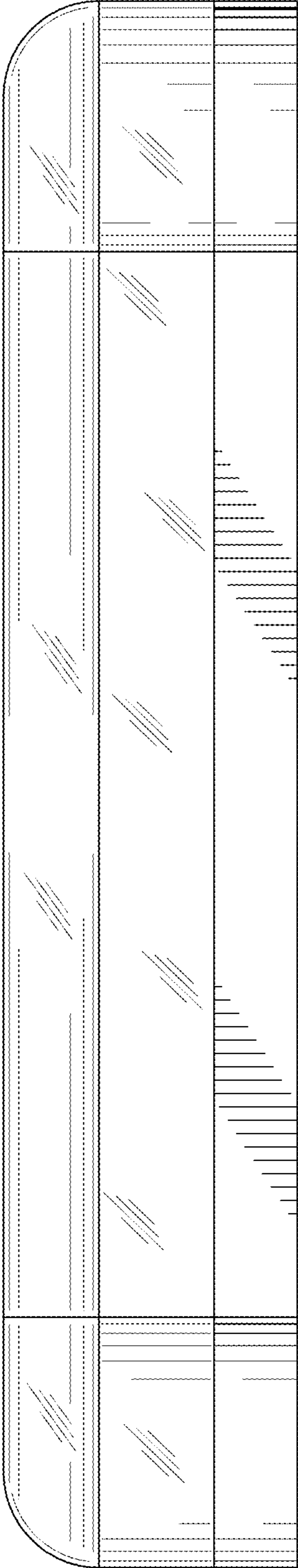


Fig. 3

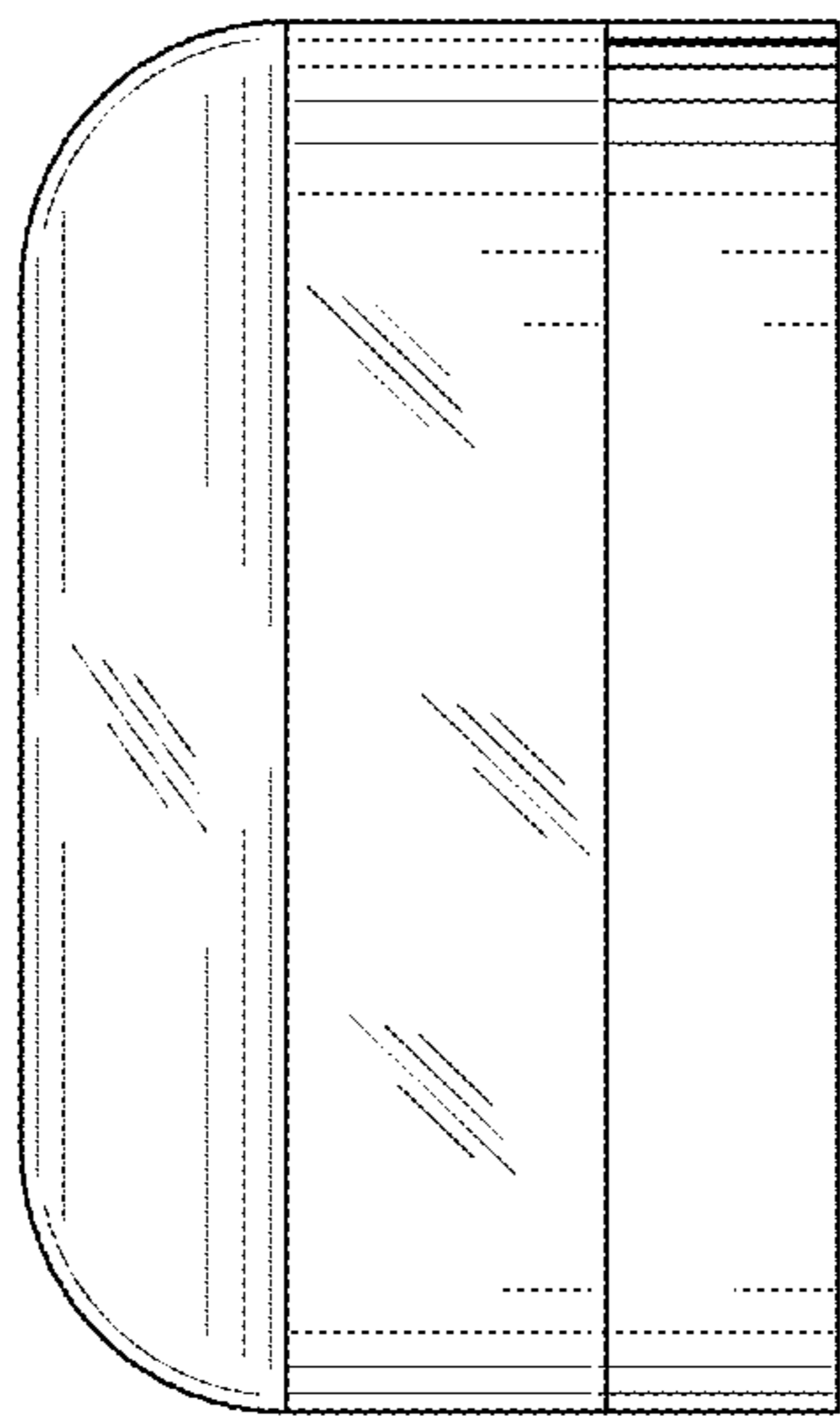


Fig. 4

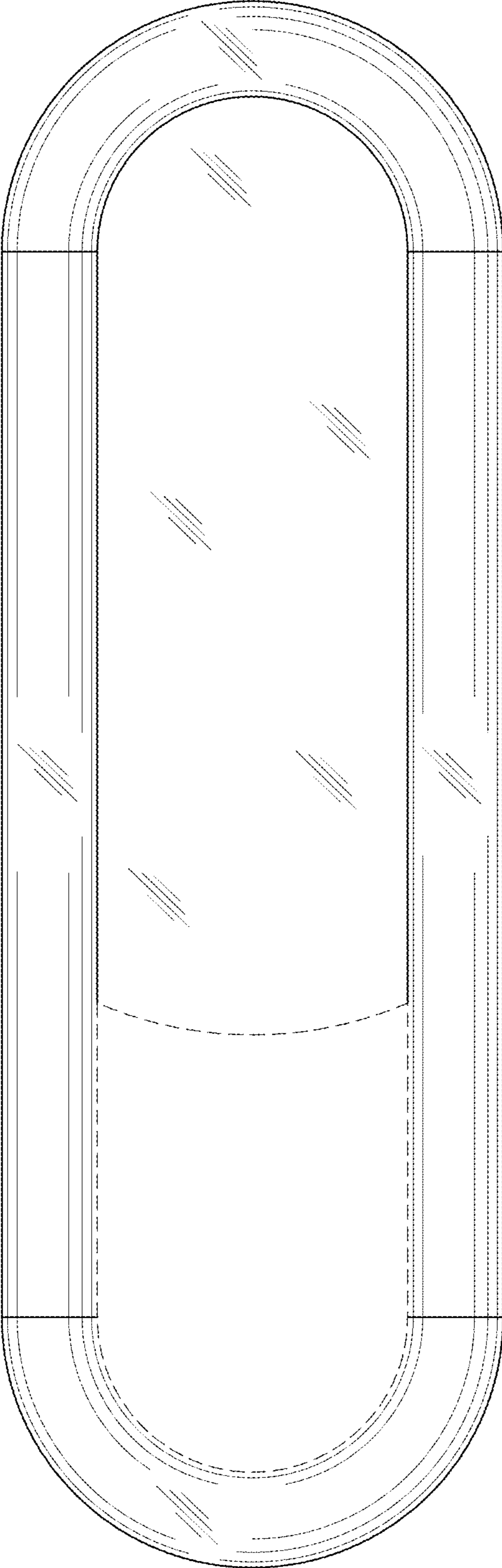


Fig. 5

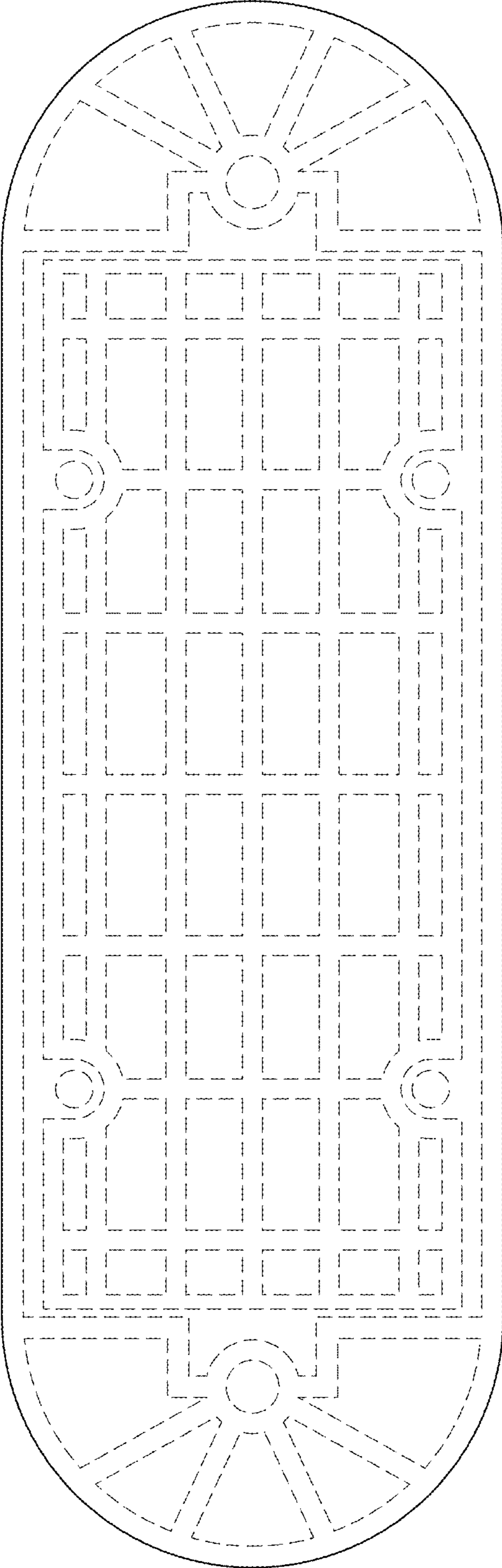


Fig. 6