



US00D915224S

(12) **United States Design Patent** (10) **Patent No.:** **US D915,224 S**  
**Rogers et al.** (45) **Date of Patent:** **\*\* Apr. 6, 2021**

(54) **TIMER WITH DISPLAY CARD** 3,803,831 A \* 4/1974 Horzick ..... G04B 19/20  
368/233  
(71) Applicant: **Time Timer LLC**, Cincinnati, OH (US) D270,844 S \* 10/1983 McIntyre ..... D18/10  
D283,403 S \* 4/1986 Chan ..... D10/15  
(72) Inventors: **David M. Rogers**, Cincinnati, OH 4,849,951 A \* 7/1989 Jauch ..... G04F 1/00  
(US); **Tricia L. Wright**, San Francisco, 368/89  
CA (US) D321,141 S \* 10/1991 Aikawa ..... D10/26  
5,110,140 A \* 5/1992 Breslow ..... A63F 1/10  
273/459  
(73) Assignee: **Time Timer LLC**, Cincinnati, OH (US) D369,619 S \* 5/1996 Rogers ..... D10/26  
(Continued)

(\*\*) Term: **15 Years**

(21) Appl. No.: **29/761,957**

(22) Filed: **Dec. 14, 2020**

*Primary Examiner* — Sandra Snapp  
*Assistant Examiner* — Katherine Glennon  
(74) *Attorney, Agent, or Firm* — Wood Herron & Evans  
LLP

**Related U.S. Application Data**

(62) Division of application No. 29/719,897, filed on Jan. 8, 2020, now Pat. No. Des. 912,551.

(51) **LOC (13) Cl.** ..... **10-03**

(52) **U.S. Cl.**  
USPC ..... **D10/40**

(58) **Field of Classification Search**  
USPC ..... D10/1-3, 14, 24-28, 40-41, 43, 46.1,  
D10/50-52, 122-124; D19/59, 60, 64;  
D21/531  
CPC ..... G04F 3/00; G04F 3/02; G04F 7/00; G04F  
1/00; G04G 13/00; G04G 13/02; G04G  
13/021; G04G 13/025; G04G 17/00;  
G04G 17/08; G04G 17/086; G09B 19/12;  
G07C 1/28  
See application file for complete search history.

(56) **References Cited**

**U.S. PATENT DOCUMENTS**

2,690,801 A \* 10/1954 Perl ..... G04C 23/02  
368/97  
2,816,373 A \* 12/1957 Caddy ..... G09B 23/04  
434/404  
3,668,858 A \* 6/1972 Hartwig ..... G04B 19/02  
368/77

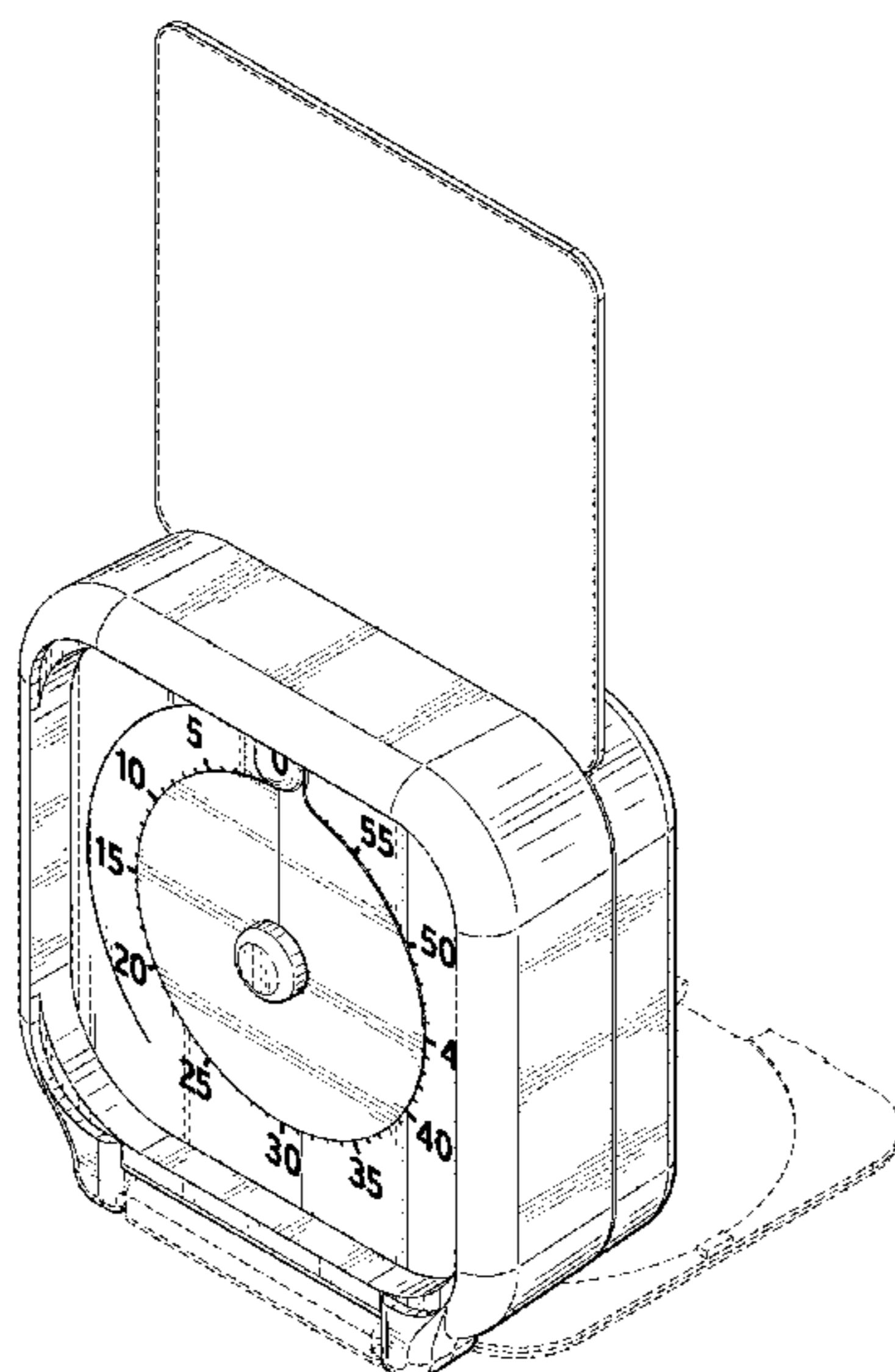
(57) **CLAIM**

The ornamental design for a timer with display card, as shown and described.

**DESCRIPTION**

FIG. 1 is an isometric view of a first embodiment of a timer with display card illustrating our new design.  
FIG. 2 is a front view thereof.  
FIG. 3 is a rear view thereof.  
FIG. 4 is a right side view thereof.  
FIG. 5 is a left side view thereof.  
FIG. 6 is a top view thereof.  
FIG. 7 is a bottom view thereof.  
FIG. 8 is an isometric view of a second embodiment of timer in combination with a display card.  
FIG. 9 is a front view thereof.  
FIG. 10 is a rear view thereof.  
FIG. 11 is a right side view thereof.  
FIG. 12 is a left side view thereof.  
FIG. 13 is a top view thereof; and,  
FIG. 14 is a bottom view thereof.  
The broken lines show portions of the timer and card that form no part of the claimed design.

**1 Claim, 14 Drawing Sheets**



(56)

**References Cited**

U.S. PATENT DOCUMENTS

D378,495 S \* 3/1997 Gillespie ..... D10/1  
 5,662,479 A \* 9/1997 Rogers ..... G09B 19/12  
 434/304  
 5,668,782 A \* 9/1997 Crawford ..... G04B 19/28  
 116/309  
 5,757,732 A \* 5/1998 Kuo ..... G04C 21/16  
 368/262  
 6,683,821 B1 \* 1/2004 Emtyazi ..... G04B 19/046  
 368/233  
 D489,995 S \* 5/2004 Wu ..... D10/15  
 D532,706 S \* 11/2006 Bhavnani ..... G04B 19/28  
 D10/2  
 D583,686 S \* 12/2008 Forakis ..... G09B 19/12  
 D10/40  
 D585,767 S \* 2/2009 Woodard ..... D10/15  
 D626,016 S \* 10/2010 Lin ..... D10/22  
 D642,078 S \* 7/2011 Balter ..... A63F 1/10  
 D10/41  
 D671,016 S \* 11/2012 Rogers ..... D10/40  
 D686,093 S \* 7/2013 Wright ..... G04F 1/00  
 D10/40  
 D705,089 S \* 5/2014 Rogers ..... D10/40  
 D710,819 S \* 8/2014 Poandl ..... D14/171  
 D785,471 S \* 5/2017 Rogers ..... G04B 19/20  
 D10/40  
 D796,349 S \* 9/2017 Rogers ..... G04B 19/02  
 D10/40  
 D802,450 S \* 11/2017 Boynton ..... G09B 23/04  
 D10/50  
 10,303,123 B1 \* 5/2019 Rogers ..... G09B 19/12  
 D863,990 S \* 10/2019 Hu ..... D10/52

\* cited by examiner

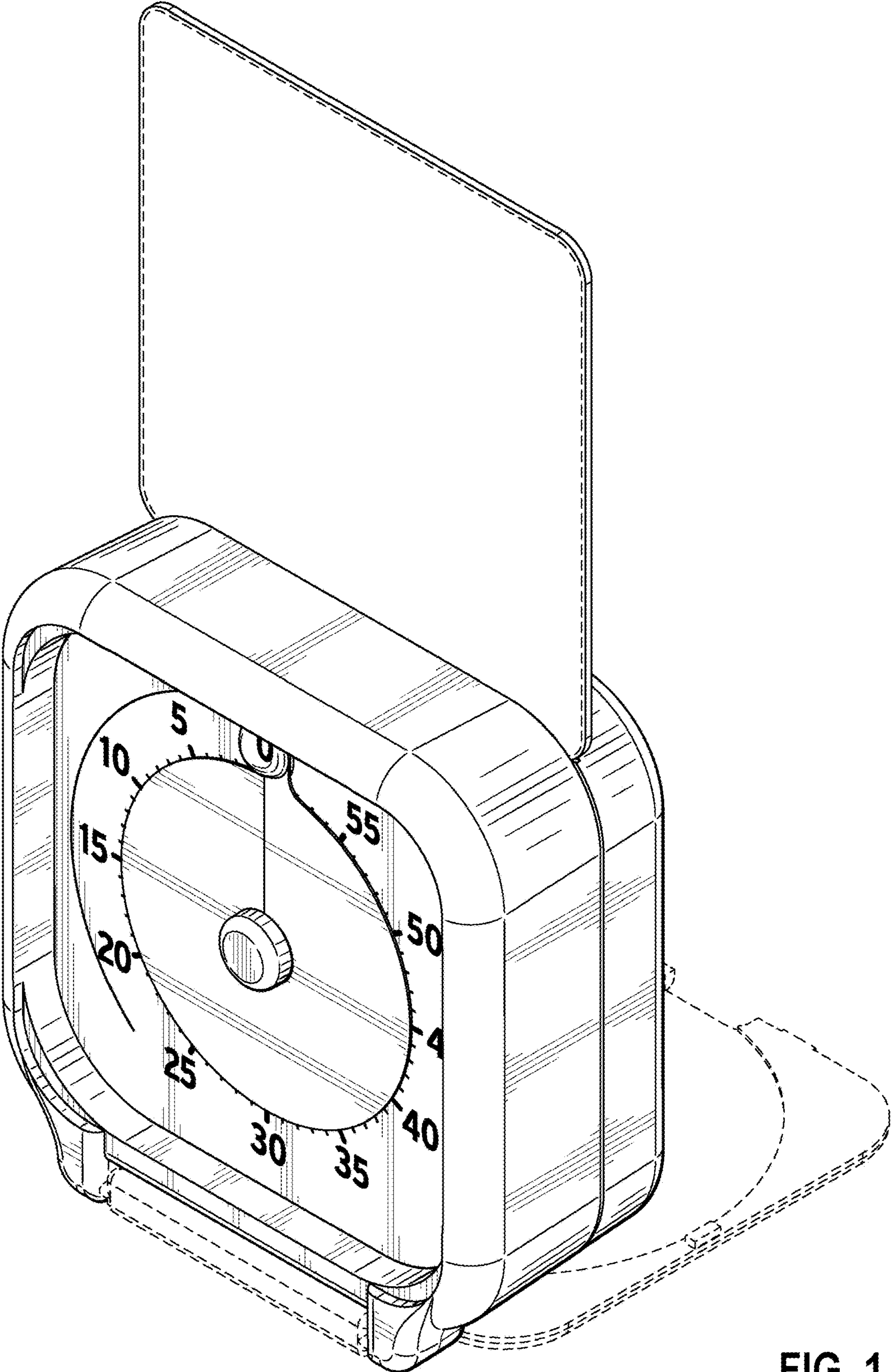


FIG. 1

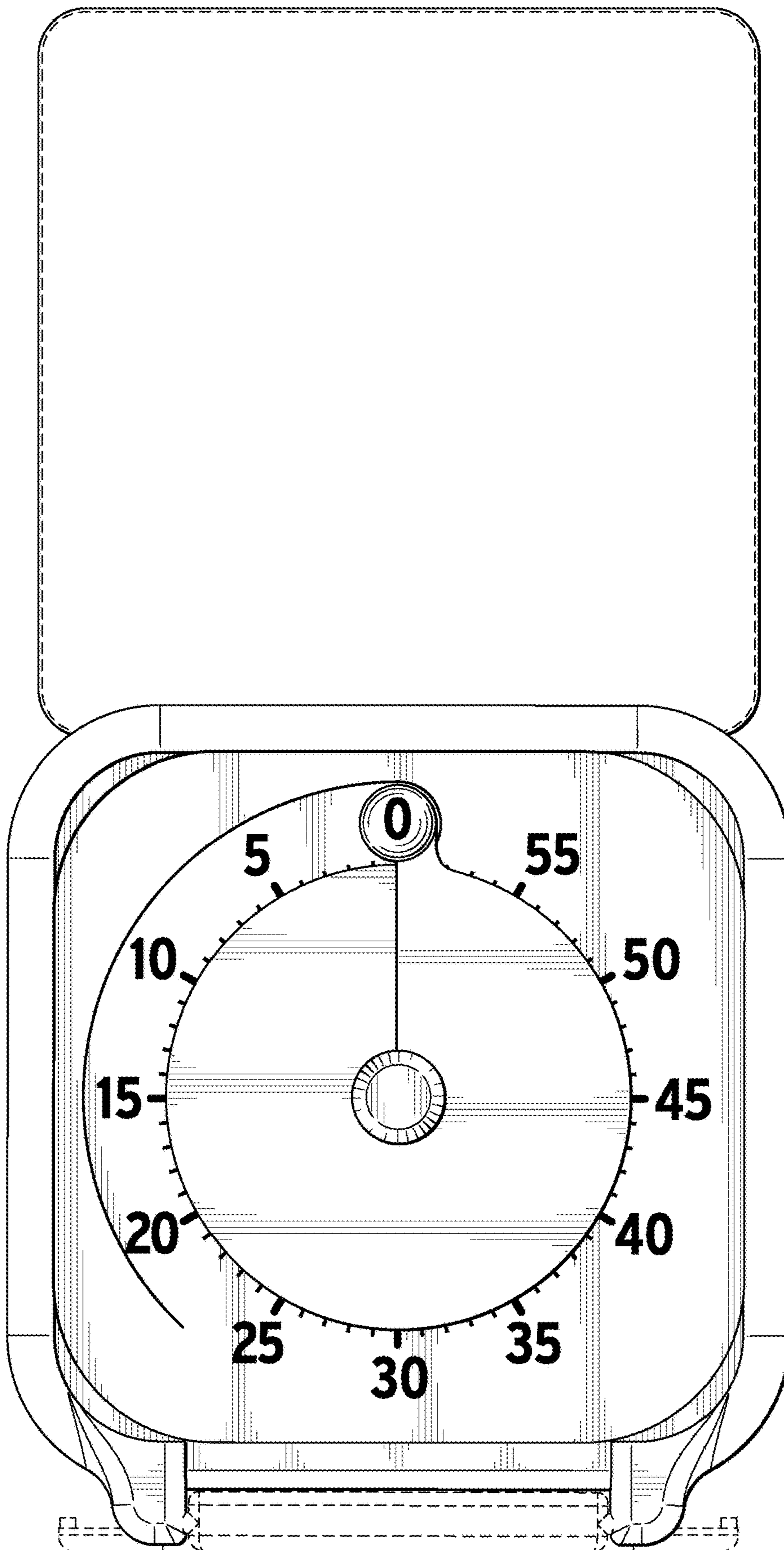


FIG. 2

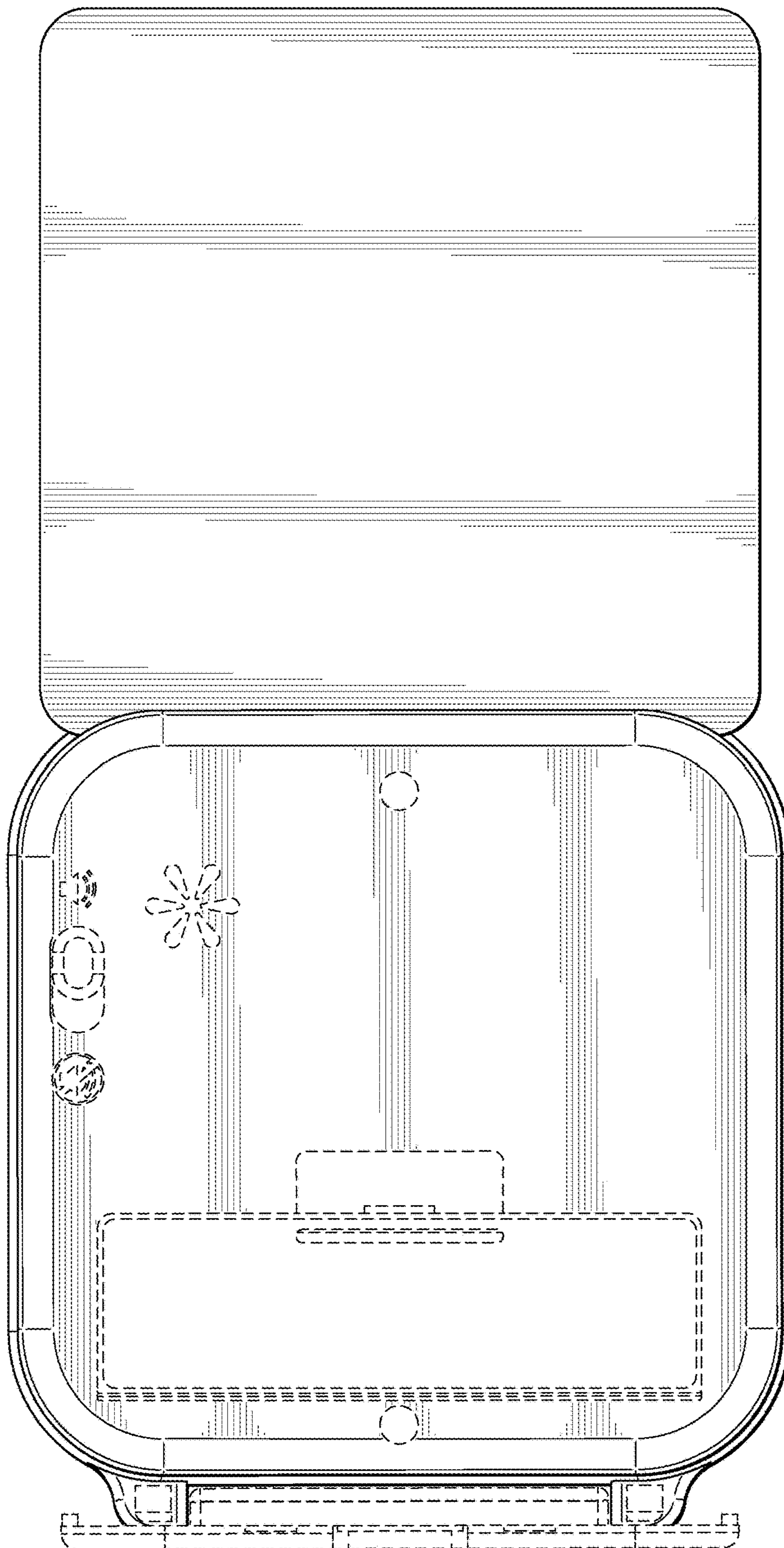


FIG. 3

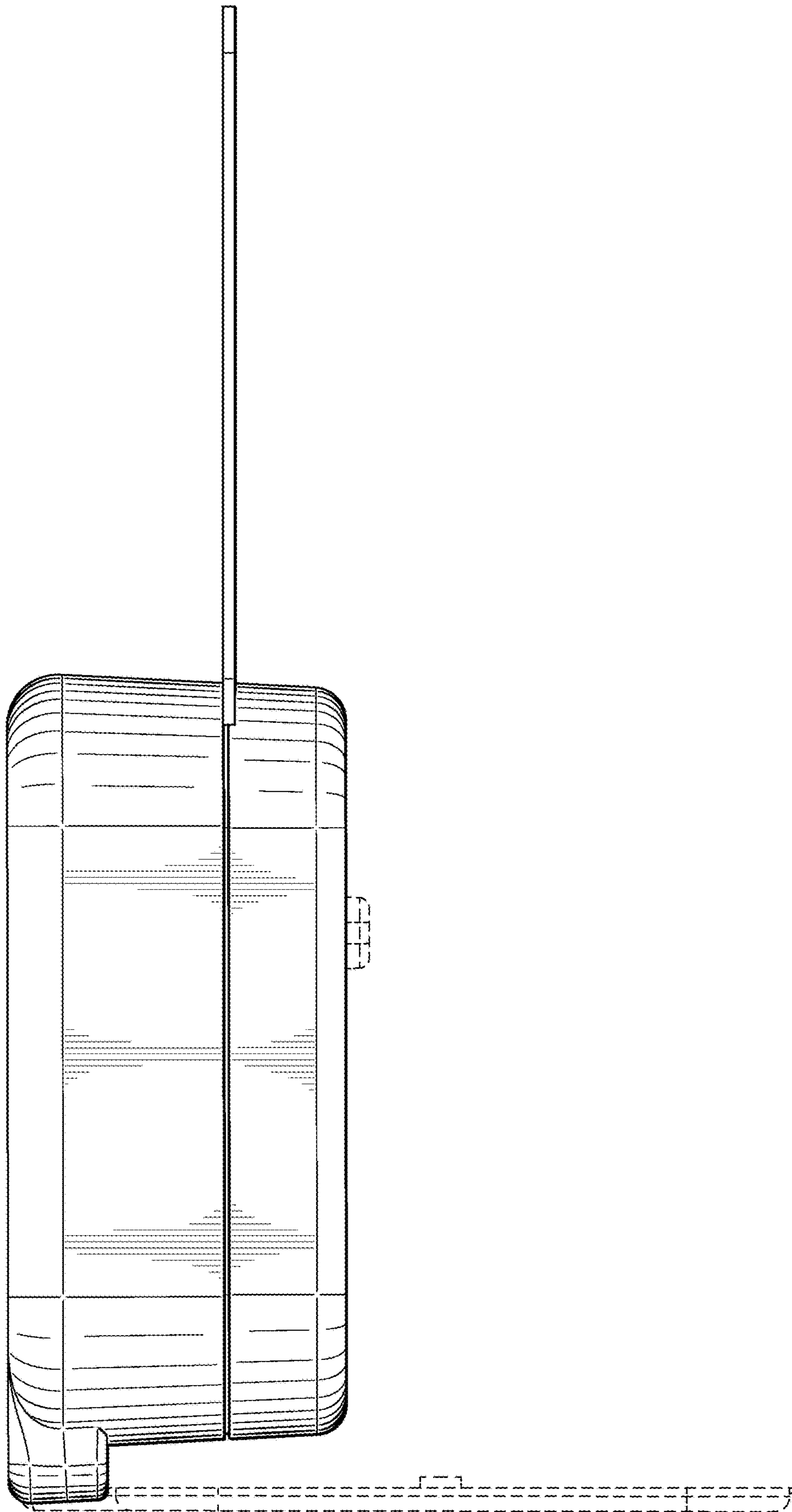


FIG. 4

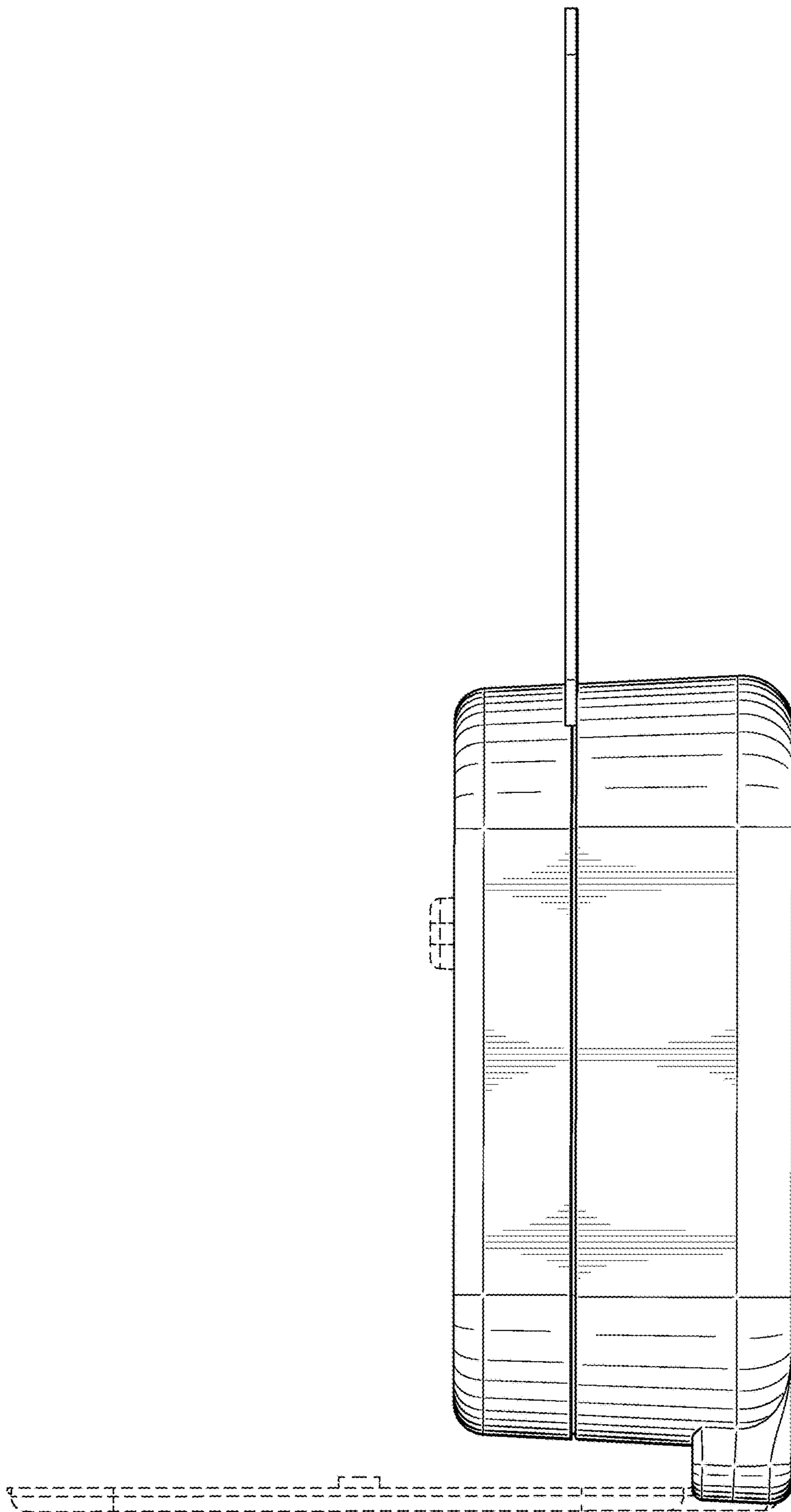


FIG. 5

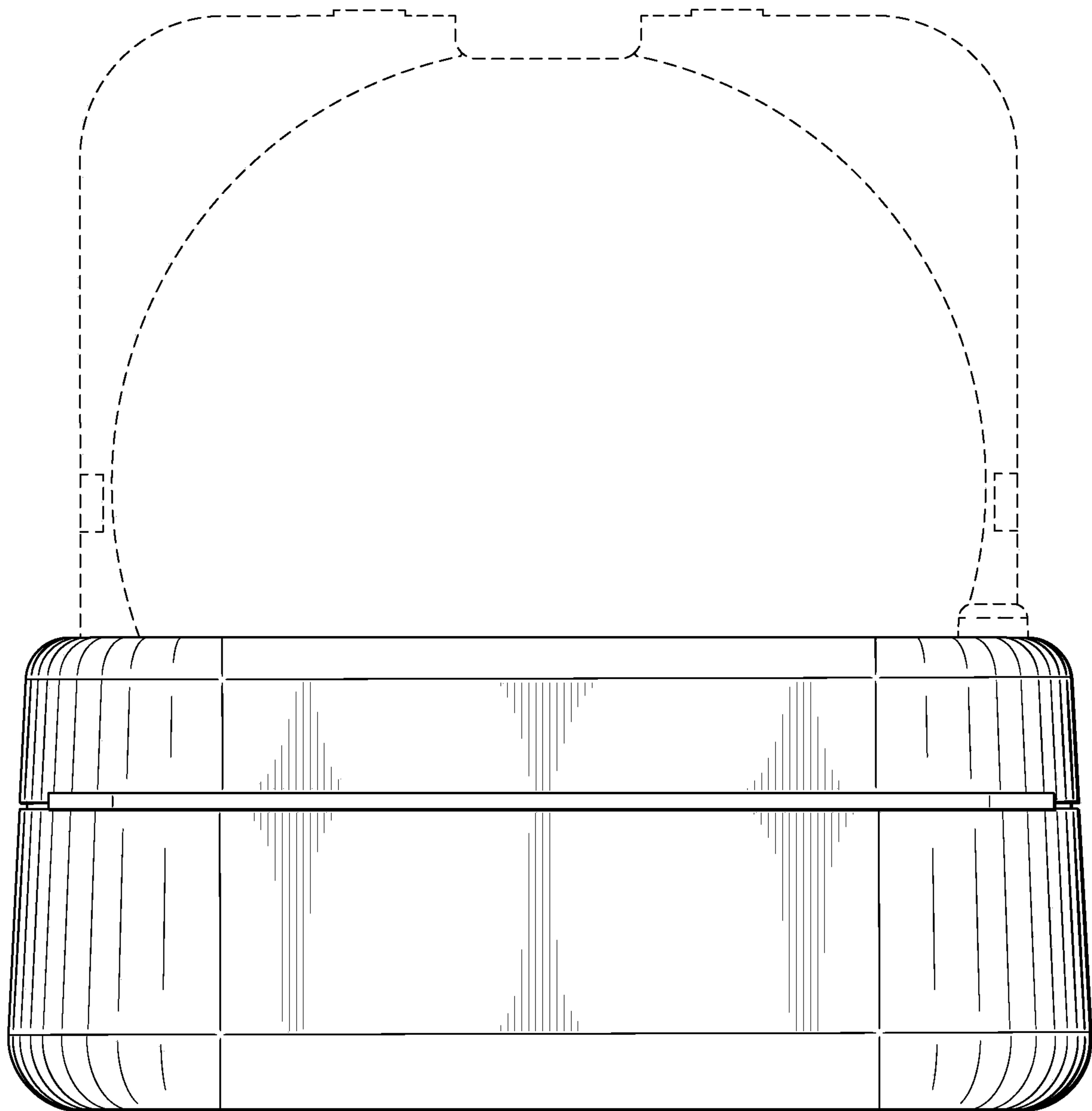


FIG. 6



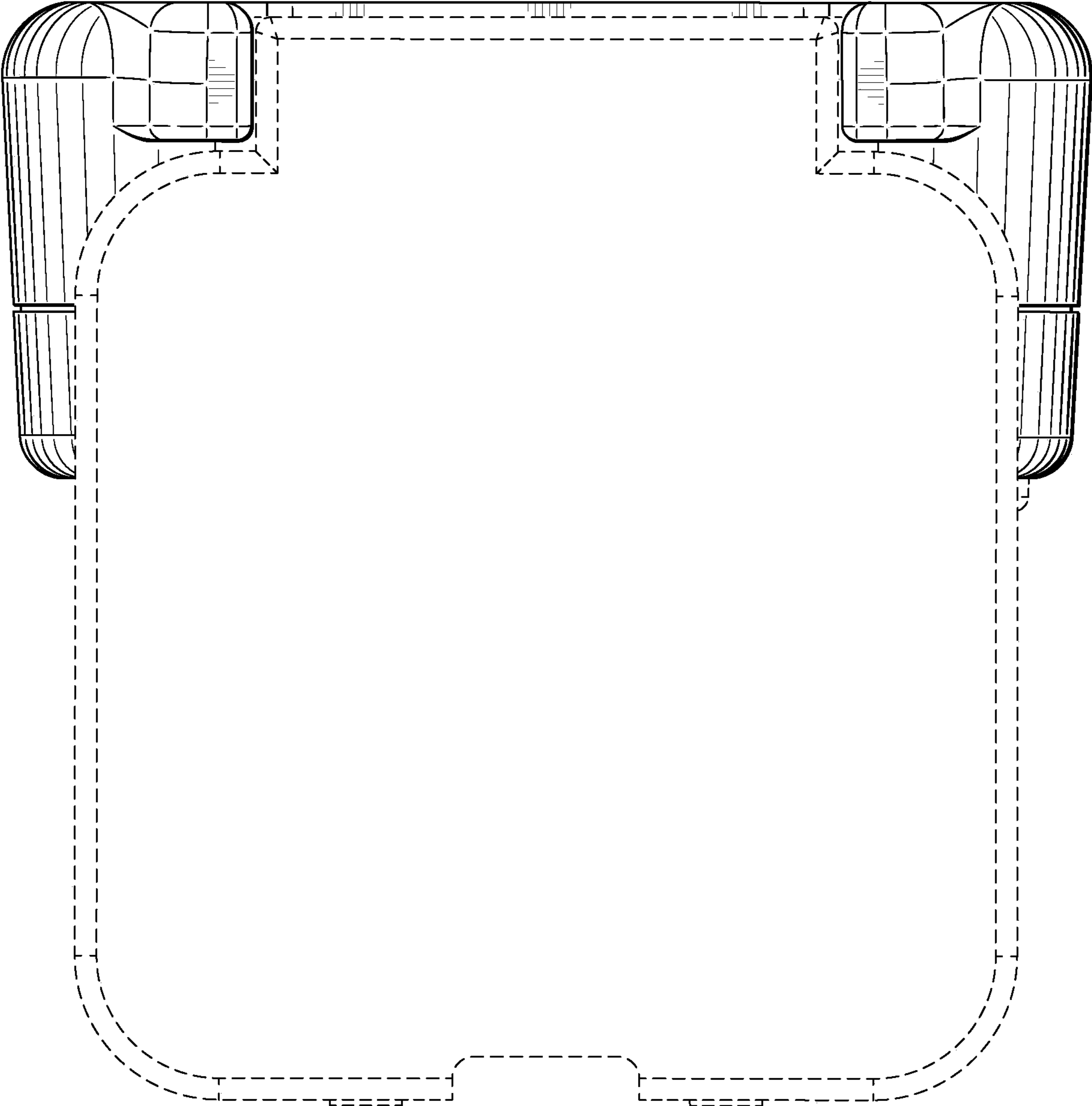


FIG. 7

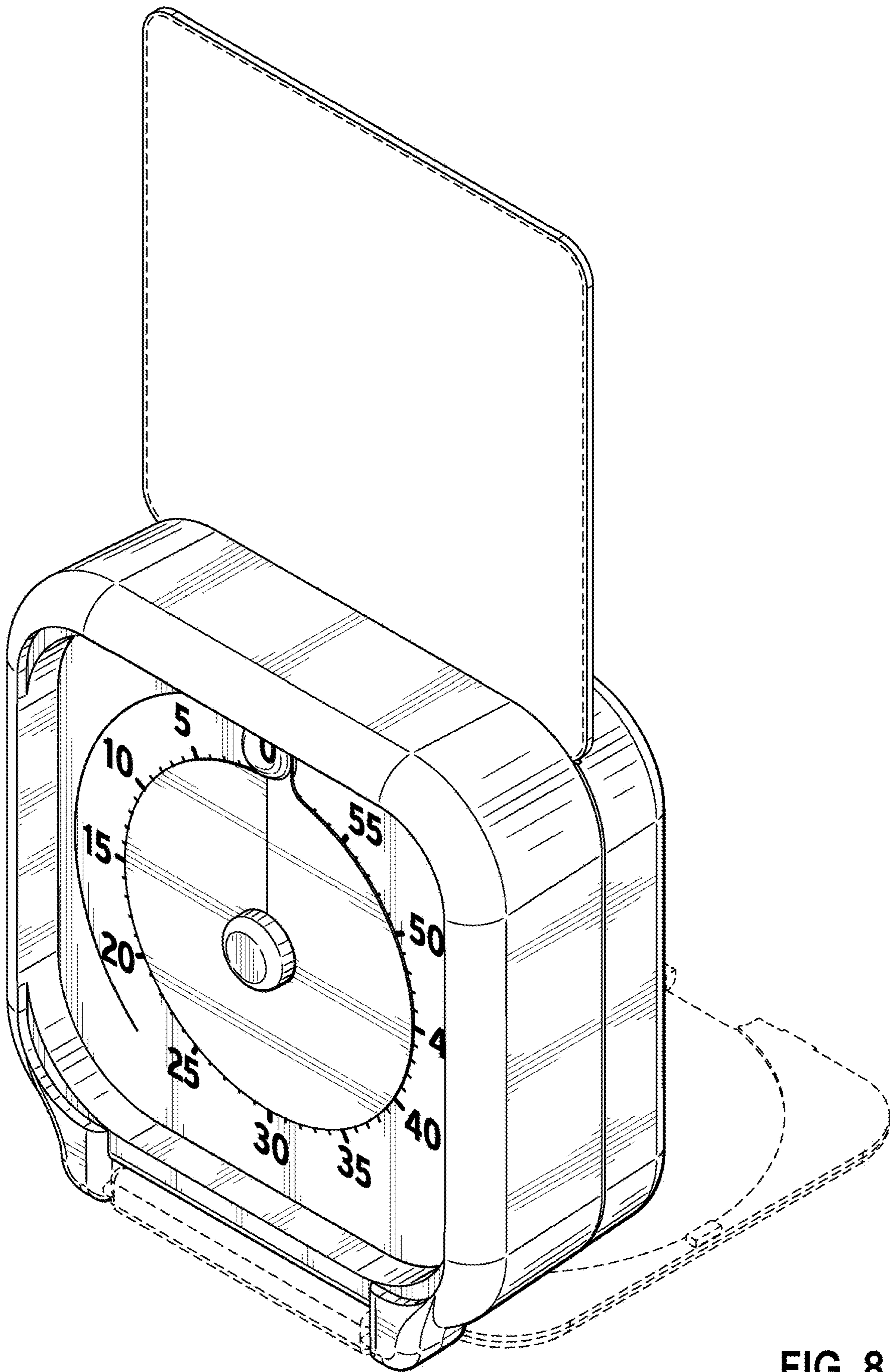


FIG. 8

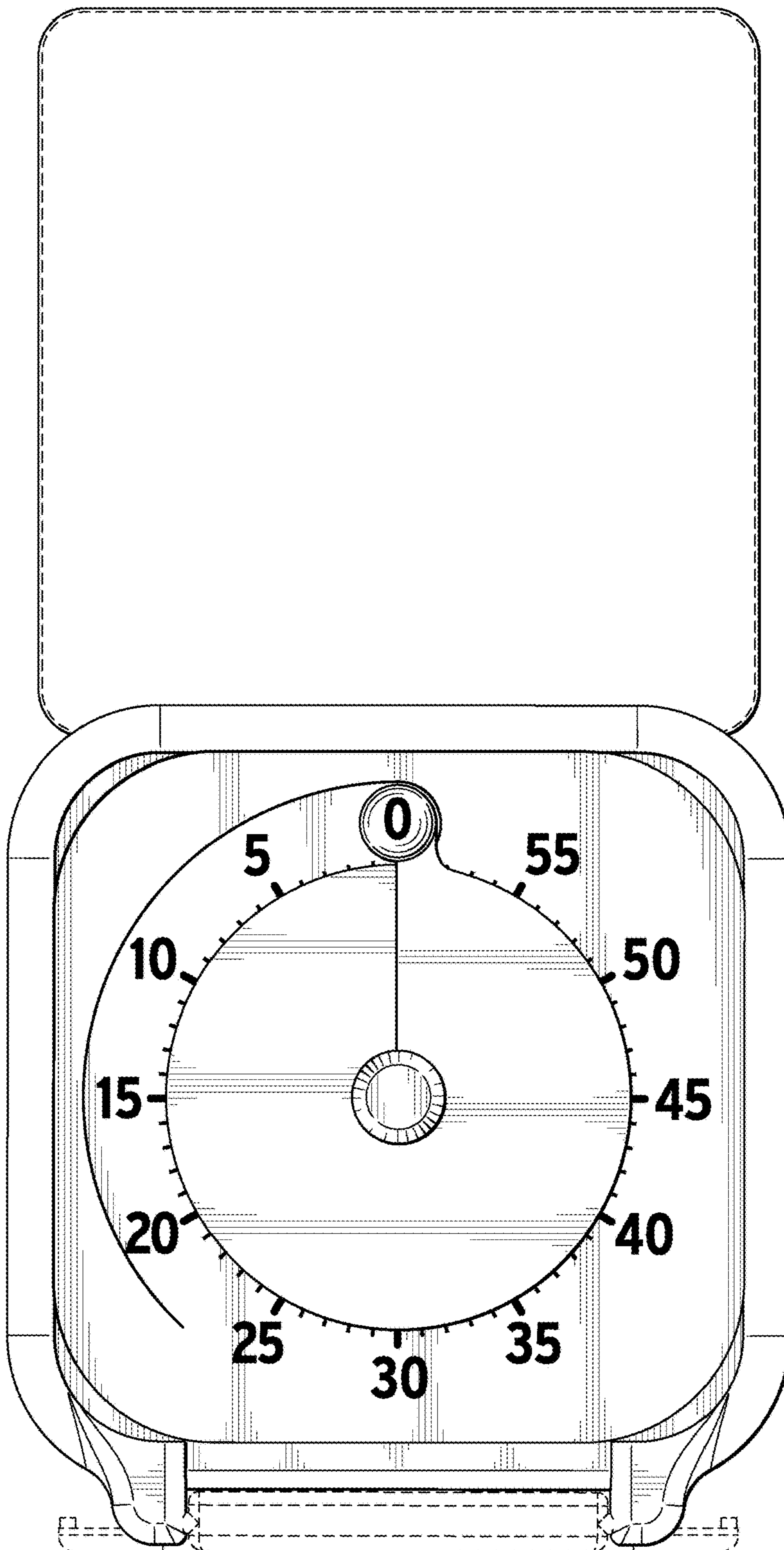


FIG. 9

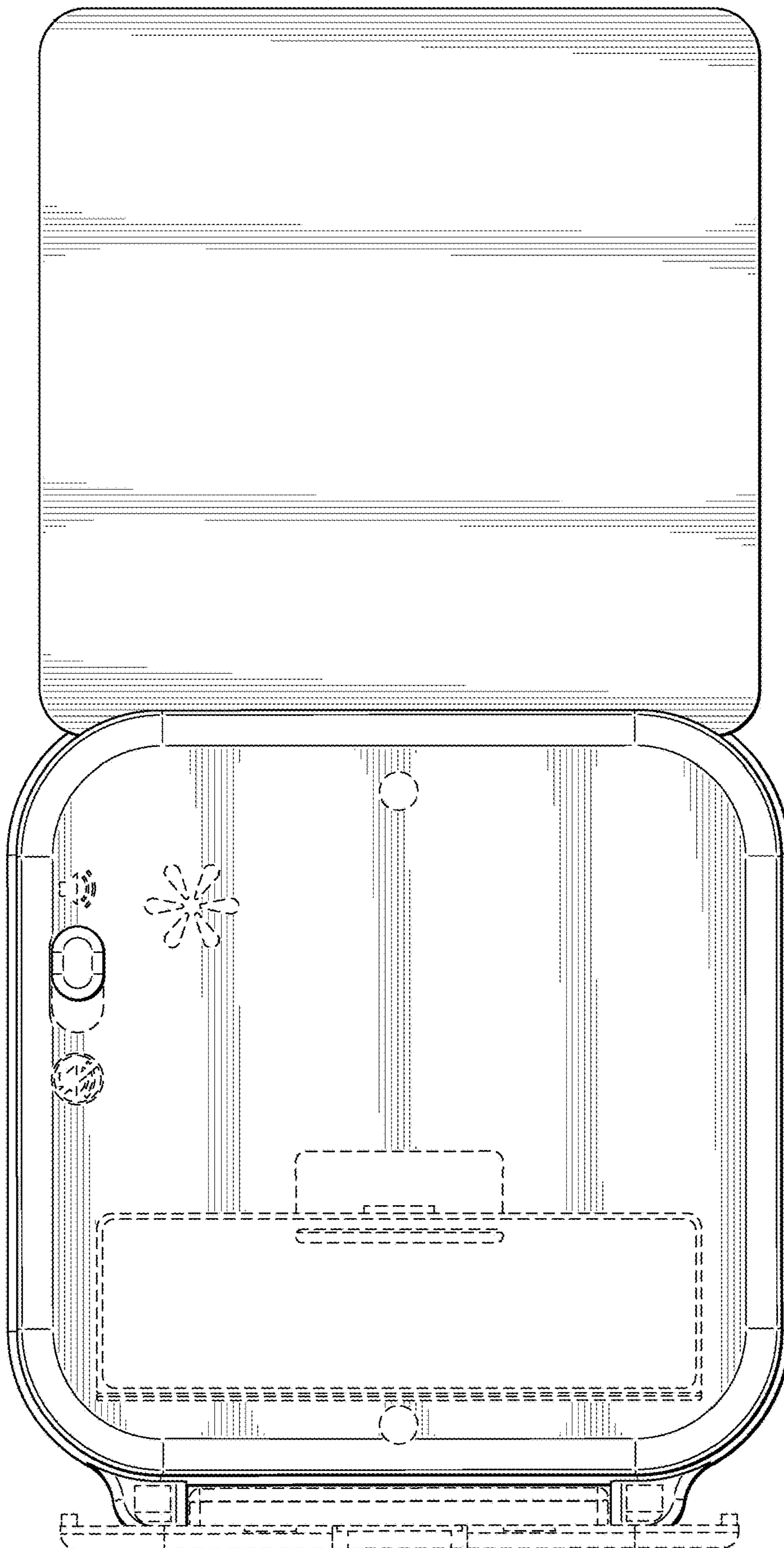


FIG. 10

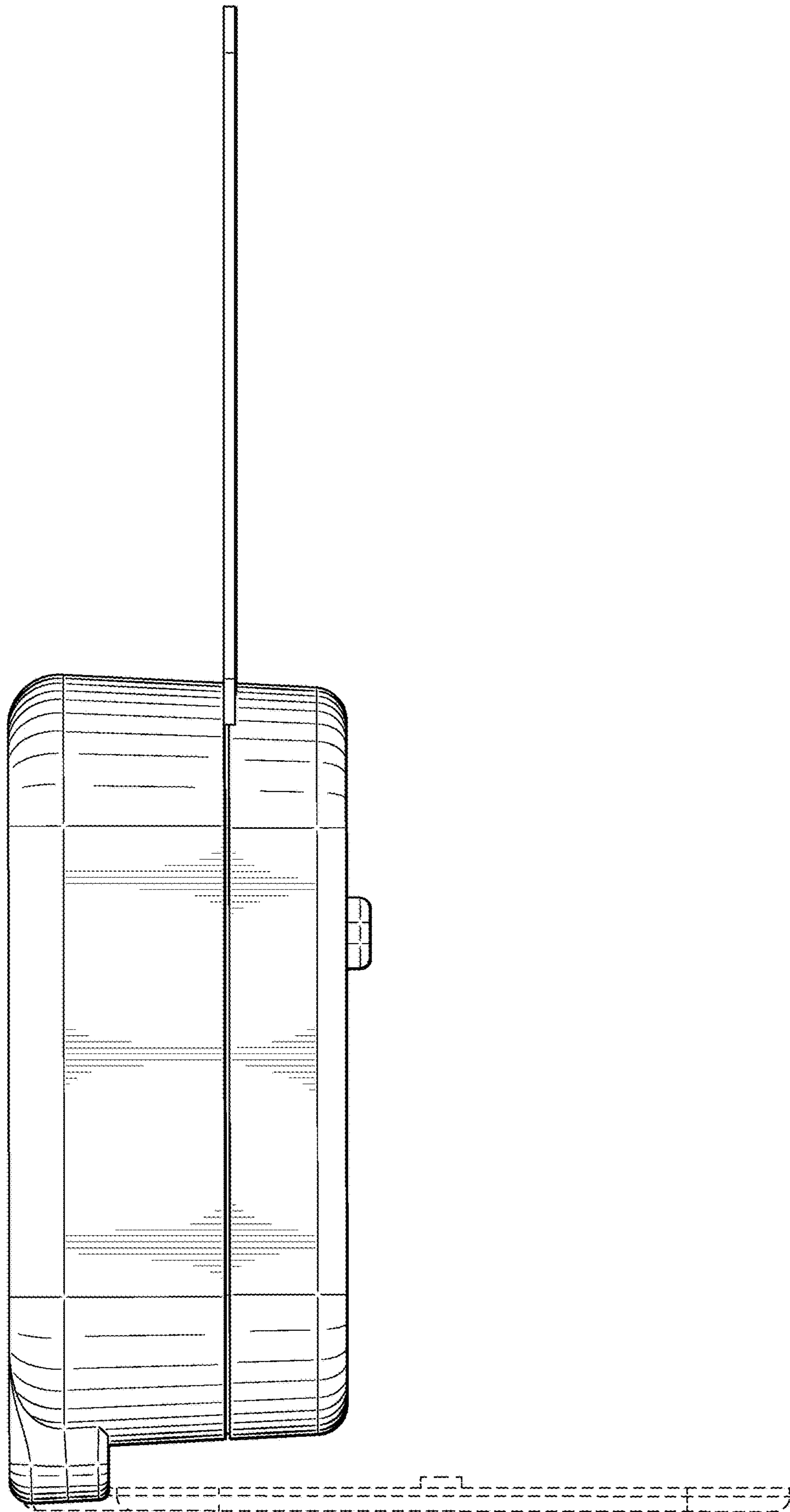


FIG. 11

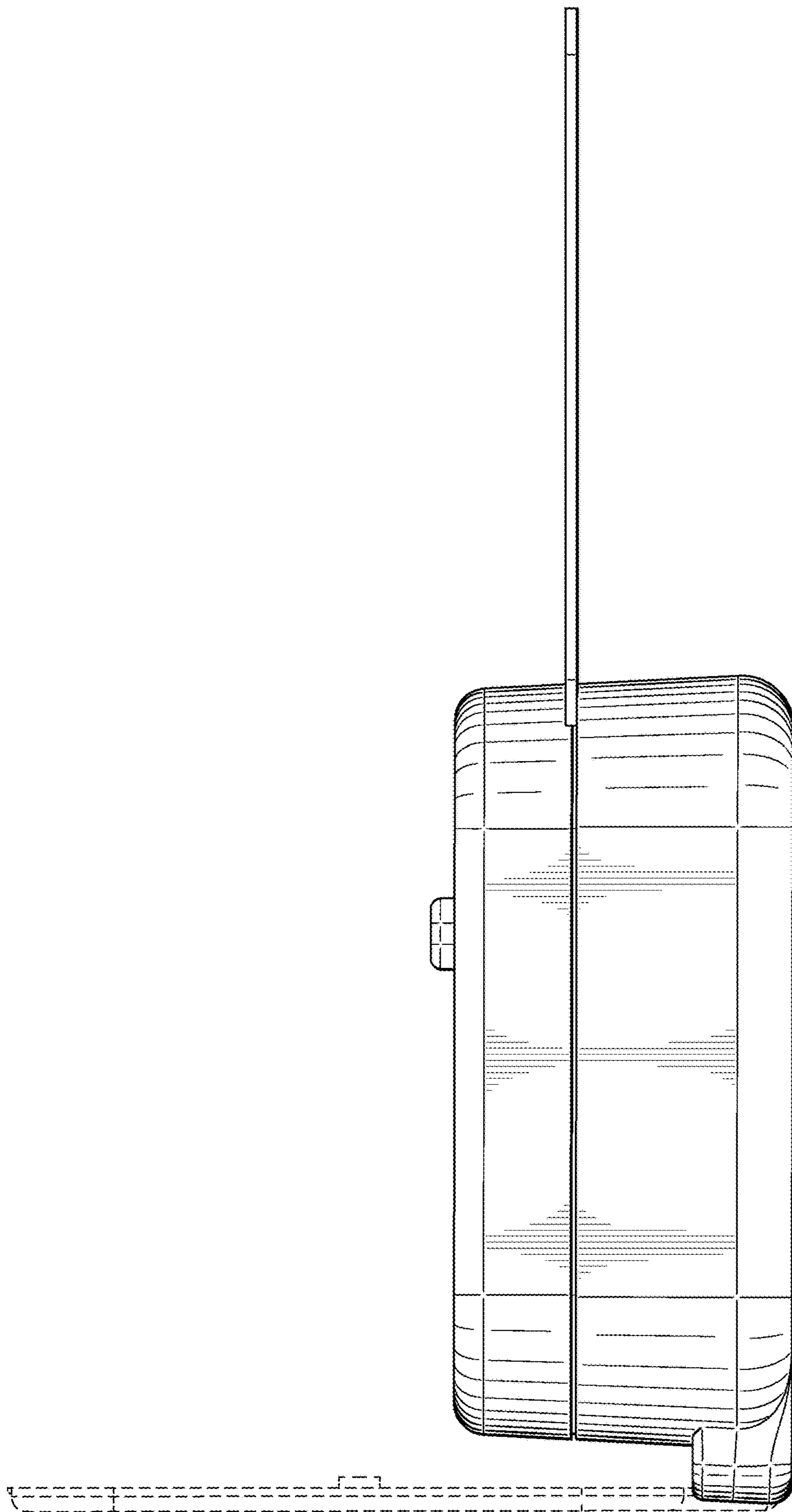


FIG. 12

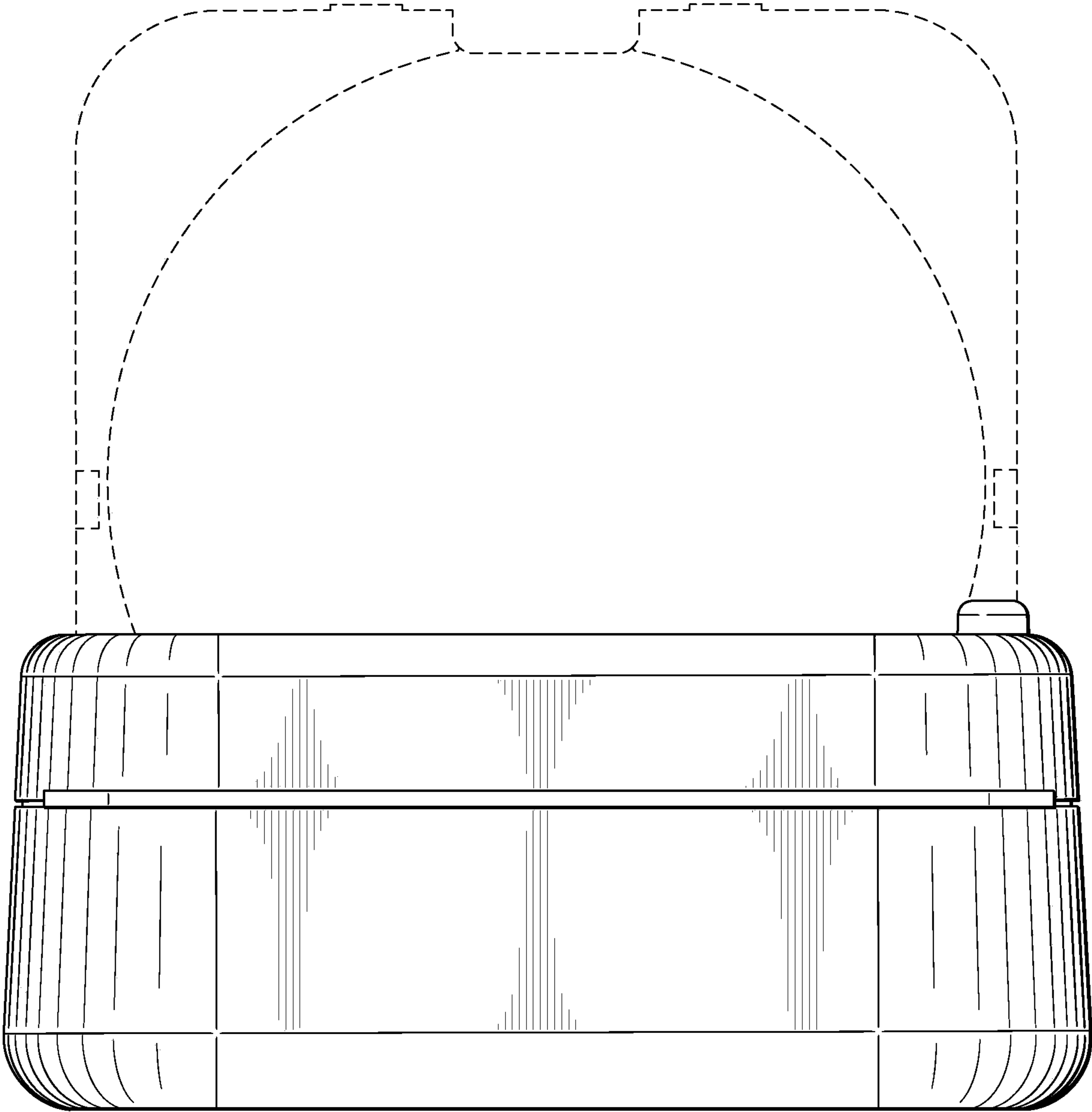


FIG. 13

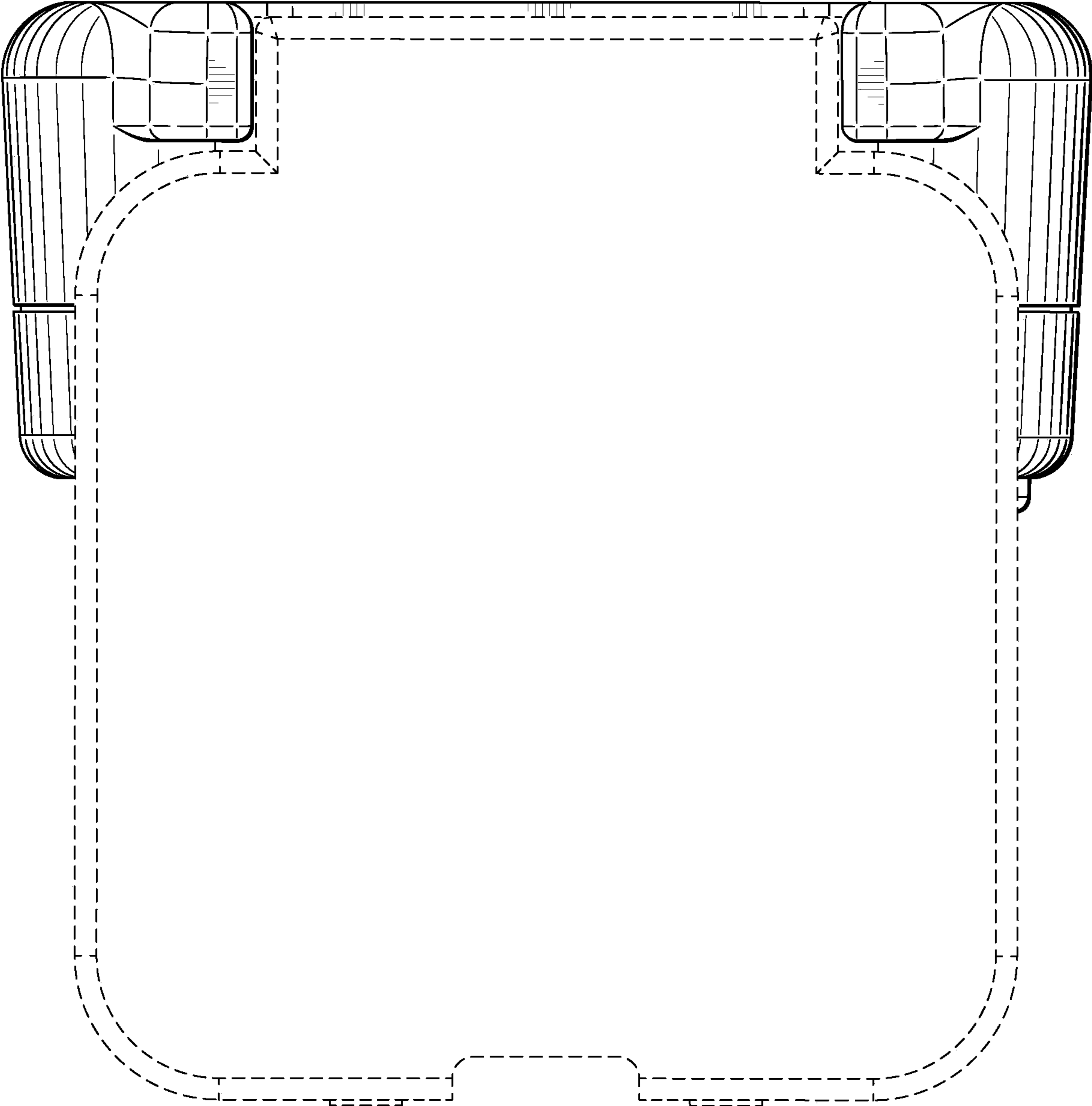


FIG. 14