



US00D915223S

(12) **United States Design Patent** (10) **Patent No.:** **US D915,223 S**  
**Cabral** (45) **Date of Patent:** **\*\* \*Apr. 6, 2021**

(54) **WATCH**  
(71) Applicant: **Richemont International SA,**  
Villars-sur-Glane (CH)  
(72) Inventor: **Constanza Candamil Cabral,** Geneva  
(CH)  
(73) Assignee: **Richemont International SA,**  
Villars-sur-Glane (CH)

D476,580 S \* 7/2003 Calvani ..... D10/30  
D476,907 S \* 7/2003 Calvani ..... D10/32  
D561,050 S \* 2/2008 Laucella ..... D10/39  
D565,426 S \* 4/2008 Rabassa ..... D10/30  
D615,881 S \* 5/2010 Chastaingt ..... D10/39  
D631,374 S \* 1/2011 Hegi ..... D10/38  
D677,586 S \* 3/2013 Graff ..... D10/39

(Continued)

(\*) Notice: This patent is subject to a terminal disclaimer.  
(\*\*) Term: **15 Years**  
(21) Appl. No.: **29/693,489**  
(22) Filed: **Jun. 3, 2019**

(30) **Foreign Application Priority Data**

Dec. 3, 2018 (WO) ..... 970003100

(51) **LOC (13) Cl.** ..... **10-02**  
(52) **U.S. Cl.**  
USPC ..... **D10/39**

(58) **Field of Classification Search**  
USPC ..... D10/30-39, 121-126, 128, 131-132;  
D11/3-6, 16, 40, 76, 79, 81, 87, 93-94  
CPC ..... G04B 19/00; G04B 19/04; G04B 19/06;  
G04B 19/08; G04B 19/085; G04B 19/10;  
G04B 19/12; G04B 19/103; G04B  
19/106; G04B 37/1486; G04B 39/02;  
G04B 39/004; G04B 39/006; G04B  
47/00; G04B 47/04; G04B 47/042; G04B  
45/0061; G04B 45/0069; G04B 45/0076;  
G04G 19/06; A44C 5/00; A44C 5/0007;  
A44C 5/0053; A44C 5/0084; A44C  
5/145; A44C 5/00147

See application file for complete search history.

(56) **References Cited**

**U.S. PATENT DOCUMENTS**

D250,809 S \* 1/1979 Perrin ..... D10/39  
D399,140 S \* 10/1998 Voegeli ..... D10/32

**OTHER PUBLICATIONS**

Piaget A Fine and Attractive Diamond Set Automatic Bracelet |  
Christies.com; circa 1990s [online]. © 2020 Christie's [retrieved  
Aug. 29, 2020] from Internet: <[https://www.christies.com/img/LotImages/2018/HGK/2018\\_HGK\\_16129\\_2361\\_000\(piaget\\_a\\_fine\\_and\\_attractive\\_18k\\_white\\_gold\\_and\\_diamond-set\\_automatic\).jpg](https://www.christies.com/img/LotImages/2018/HGK/2018_HGK_16129_2361_000(piaget_a_fine_and_attractive_18k_white_gold_and_diamond-set_automatic).jpg)>  
(Year: 1990).\*

Top 5 high jewellery watches for 2017 | posted at thejewelleryeditor.  
com Apr. 2017 by Rebecca Doulton [online]. [retrieved Aug. 29,  
2020] from Internet: <<http://www.thejewelleryeditor.com/watches/top-5/top-5-high-jewellery-watches-baselworld/>> (Year: 2017).\*

Piaget's Possession | posted by Marie de Pimodan-Bugnon at  
journal.hautehorlogerie.org Jan. 2019 [online]. [retrieved Aug. 24,  
2020] from Internet: <<https://journal.hautehorlogerie.org/en/piagets-possession-irresistible-to-the-touch/>> (Year: 2019).\*

(Continued)

*Primary Examiner* — Katherine Glennon  
(74) *Attorney, Agent, or Firm* — Taft Stettinius &  
Hollister LLP

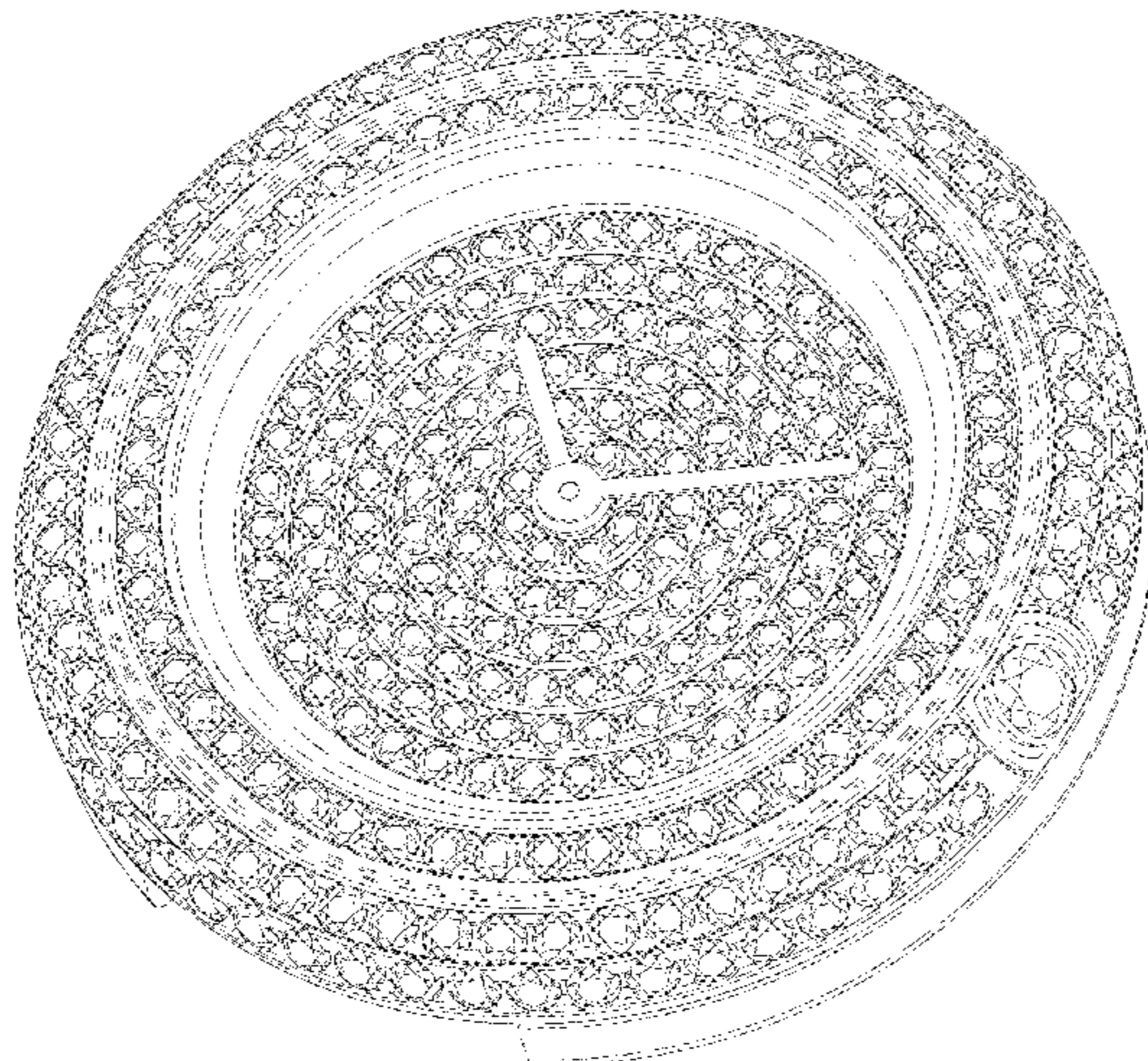
(57) **CLAIM**

The ornamental design for a watch, as shown and described.

**DESCRIPTION**

FIG. 1 is a front elevational view of a watch showing my  
new design;  
FIG. 2 is a back elevational view thereof;  
FIG. 3 is a right side elevational thereof;  
FIG. 4 is a left side elevational view thereof;  
FIG. 5 is a top plan view thereof;  
FIG. 6 is a bottom plan view thereof;  
FIG. 7 is a front, bottom, right side perspective view thereof;  
and,  
FIG. 8 is a back, bottom, left side perspective view thereof.

**1 Claim, 8 Drawing Sheets**



(56)

References Cited

U.S. PATENT DOCUMENTS

D682,121 S \* 5/2013 Hegi ..... D10/36  
 D737,694 S \* 9/2015 Engelbrecht ..... D10/39  
 D744,871 S \* 12/2015 Rabassa ..... D10/39  
 D775,992 S \* 1/2017 Graff ..... D10/126  
 D798,741 S \* 10/2017 Graff ..... D10/30  
 D801,845 S \* 11/2017 Blootacker ..... D10/126  
 D811,921 S \* 3/2018 Rabassa ..... D10/132  
 D814,319 S \* 4/2018 von Burg ..... D10/39  
 D822,533 S \* 7/2018 Sivriere ..... D11/79  
 D824,275 S \* 7/2018 Sivriere ..... D11/35  
 D833,901 S \* 11/2018 Rabassa ..... D10/126  
 D861,501 S \* 10/2019 Marti ..... D10/30  
 D867,166 S \* 11/2019 Cabral ..... D10/39  
 D868,599 S \* 12/2019 Cabral ..... D10/39  
 D869,963 S \* 12/2019 Cabral ..... D10/39  
 2015/0359303 A1 \* 12/2015 Lebreton ..... G04B 47/042  
 368/168

OTHER PUBLICATIONS

The Piaget Society Beach | posted by Eszter at louposity.com Jan. 29, 2019 [online]. ©2019 Louposity [retrieved Aug. 24, 2020] from Internet: <<https://louposity.com/2019/01/the-piaget-society-beach/>> (Year: 2019).\*

Van Cleef Classicques Diamond Watch | posted at jomashop.com; no posting date [online]. © 2020 Jomashop [retrieved Aug. 24, 2020] from Internet: <[https://www.jonnashop.com/preowned-2-van-cleef-watch-13607.html?utm\\_medium=cpa&utm\\_campaign=8172428&utm\\_source=CJ&cjevent=07d08880e64b11ea83af001f0a240614](https://www.jonnashop.com/preowned-2-van-cleef-watch-13607.html?utm_medium=cpa&utm_campaign=8172428&utm_source=CJ&cjevent=07d08880e64b11ea83af001f0a240614)> (Year: 2020).\*

Limelight Gala Watches by Piaget | posted at thejewelleryeditor.com Sep. 2013 [online]. [retrieved Aug. 29, 2020] from Internet: <<http://www.thejewelleryeditor.com/watches/article/the-new-limelight-gala-watches-by-piaget-capture-the-glamour-of-the-1960s/>> (Year: 2013).\*

\* cited by examiner

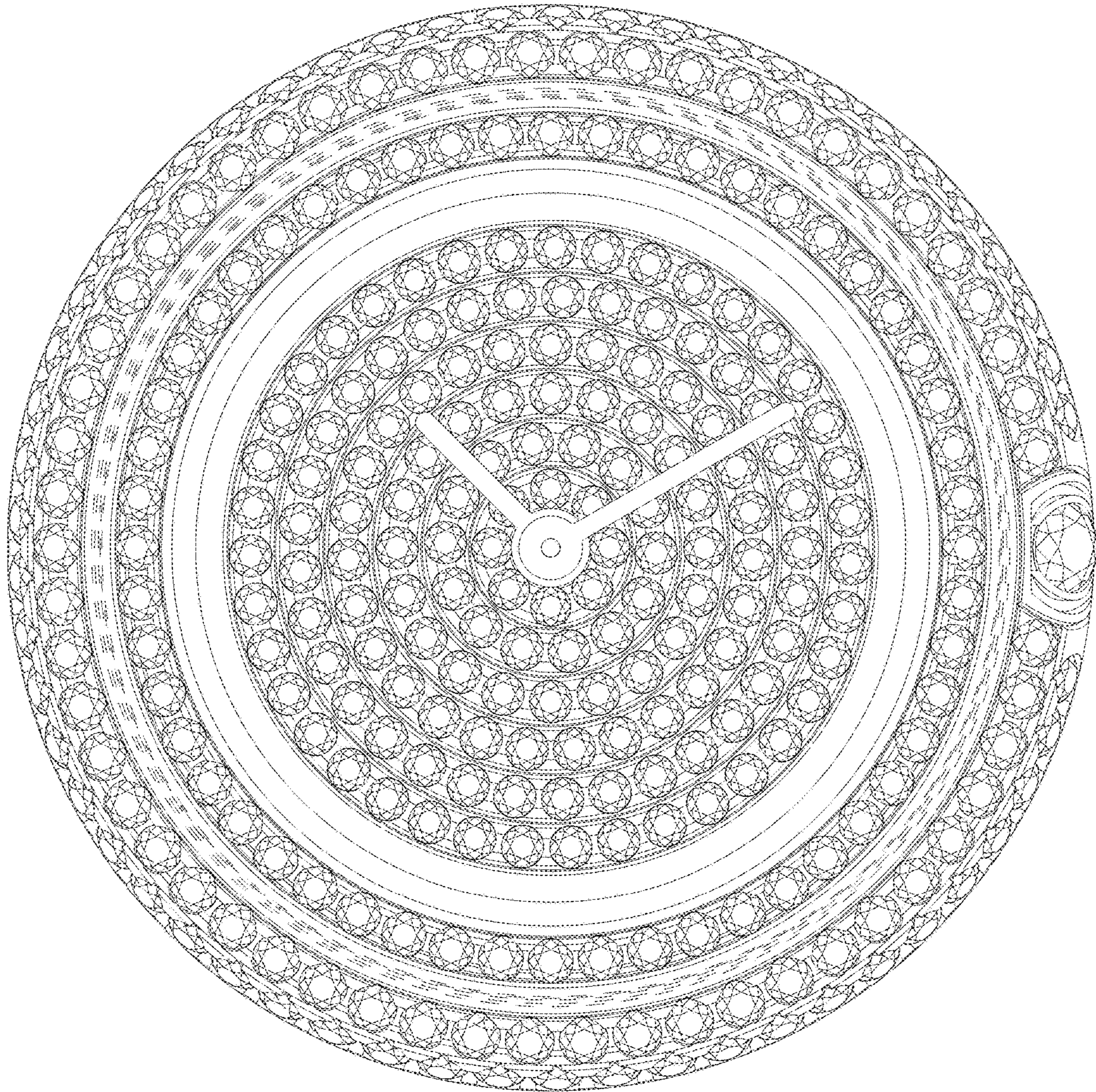


Fig. 1

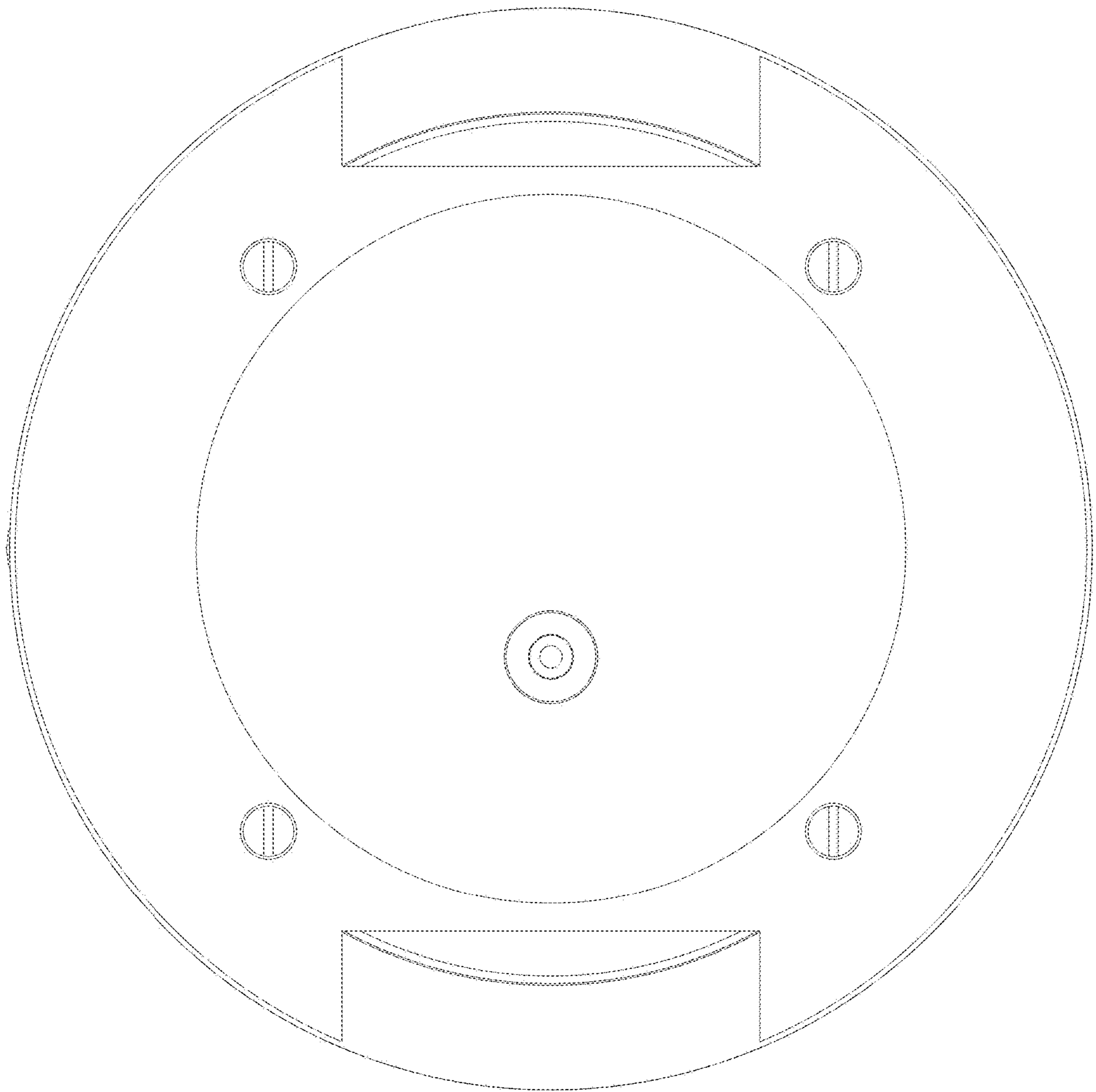


Fig. 2

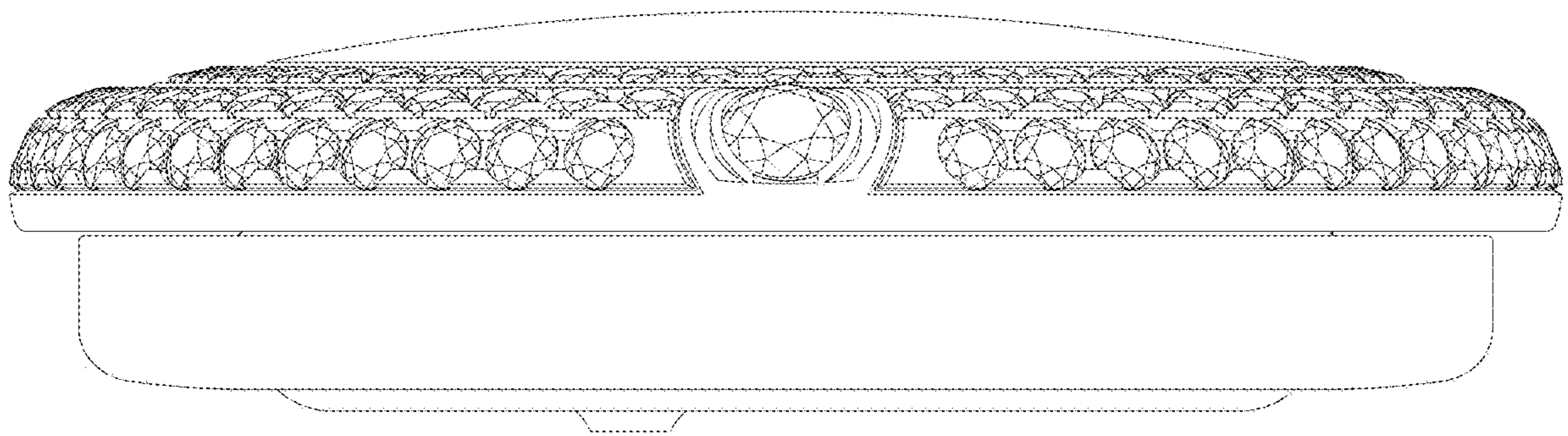


Fig. 3

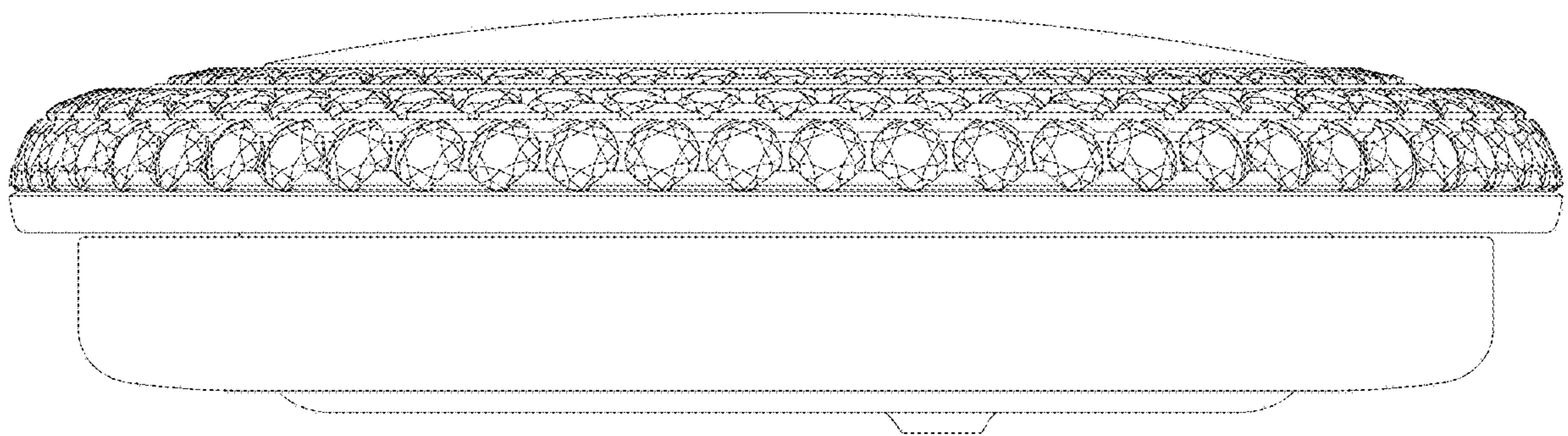


Fig. 4

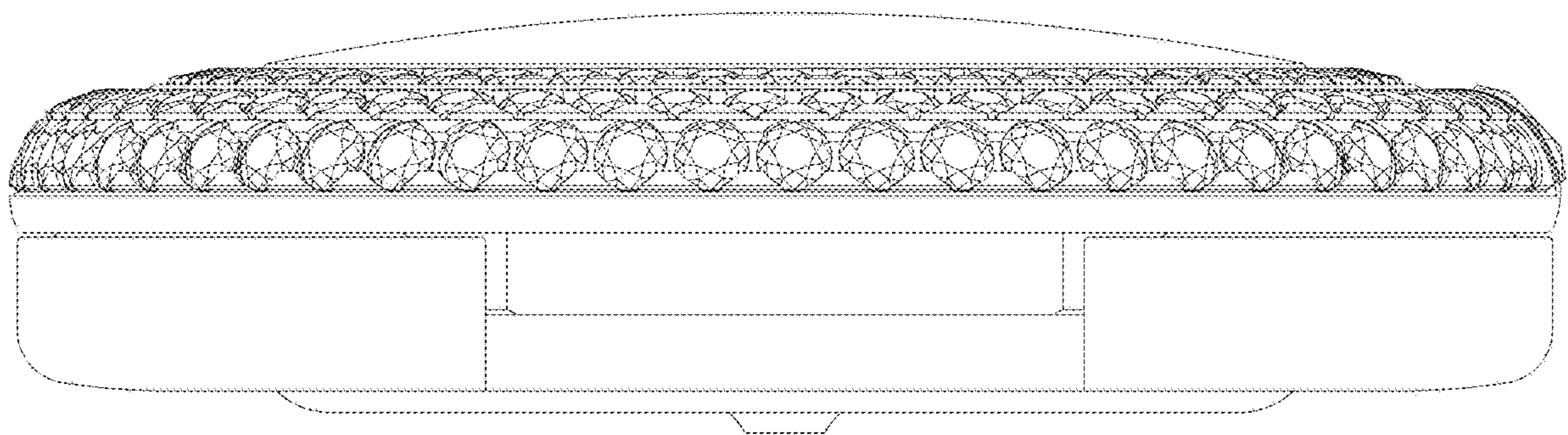


Fig. 5

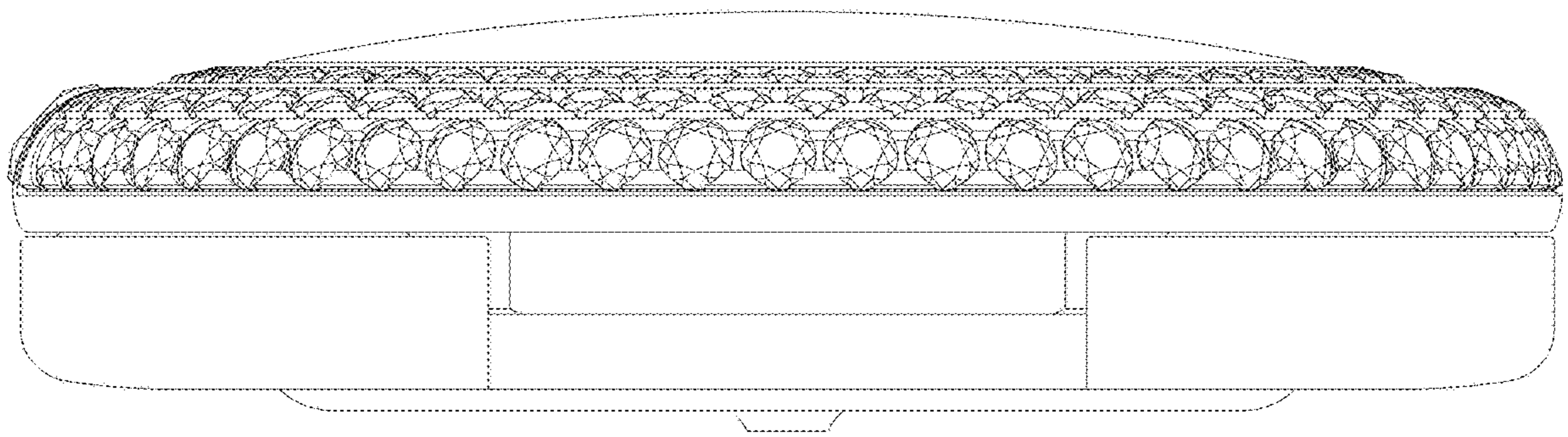


Fig. 6



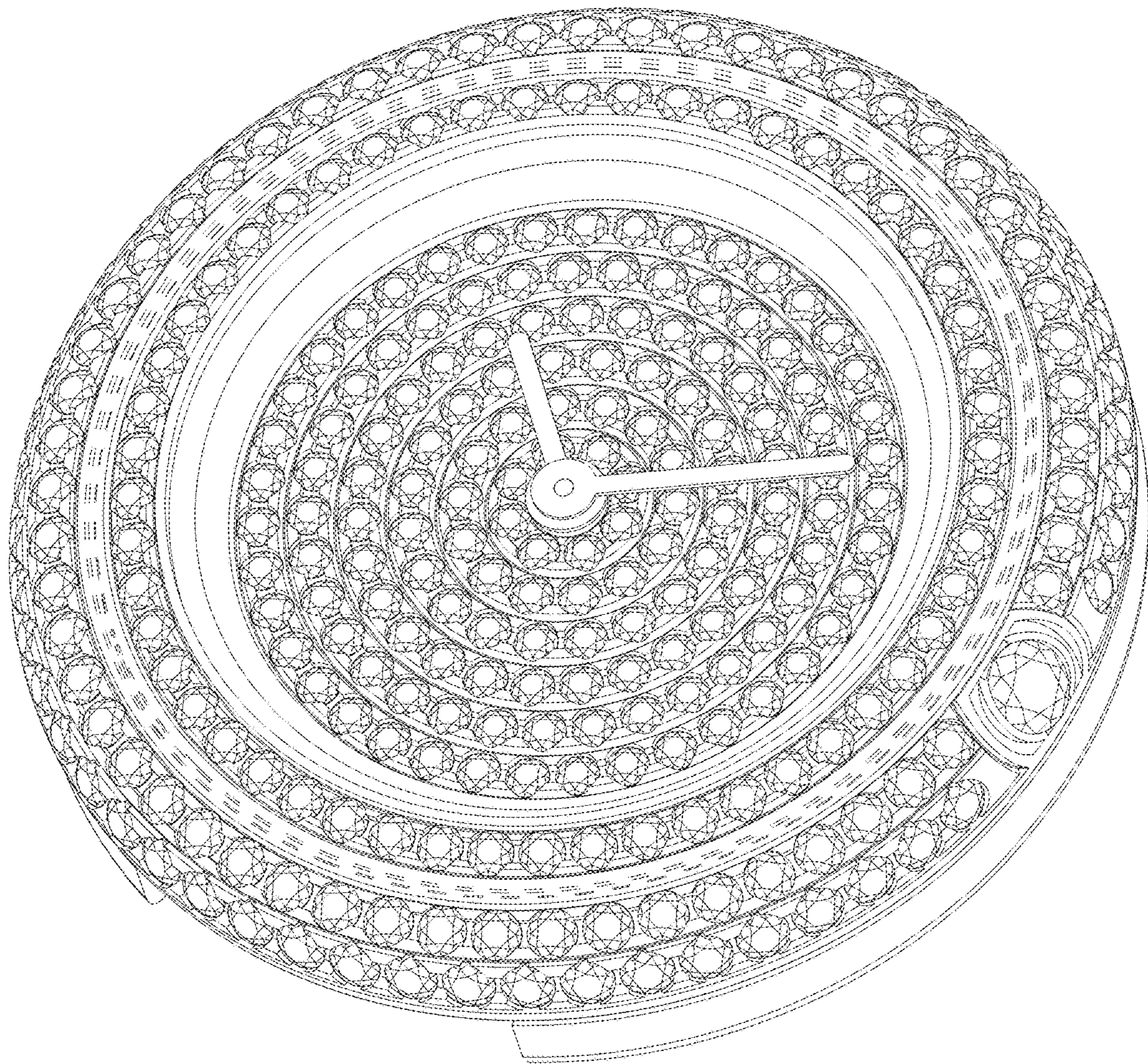


Fig. 7

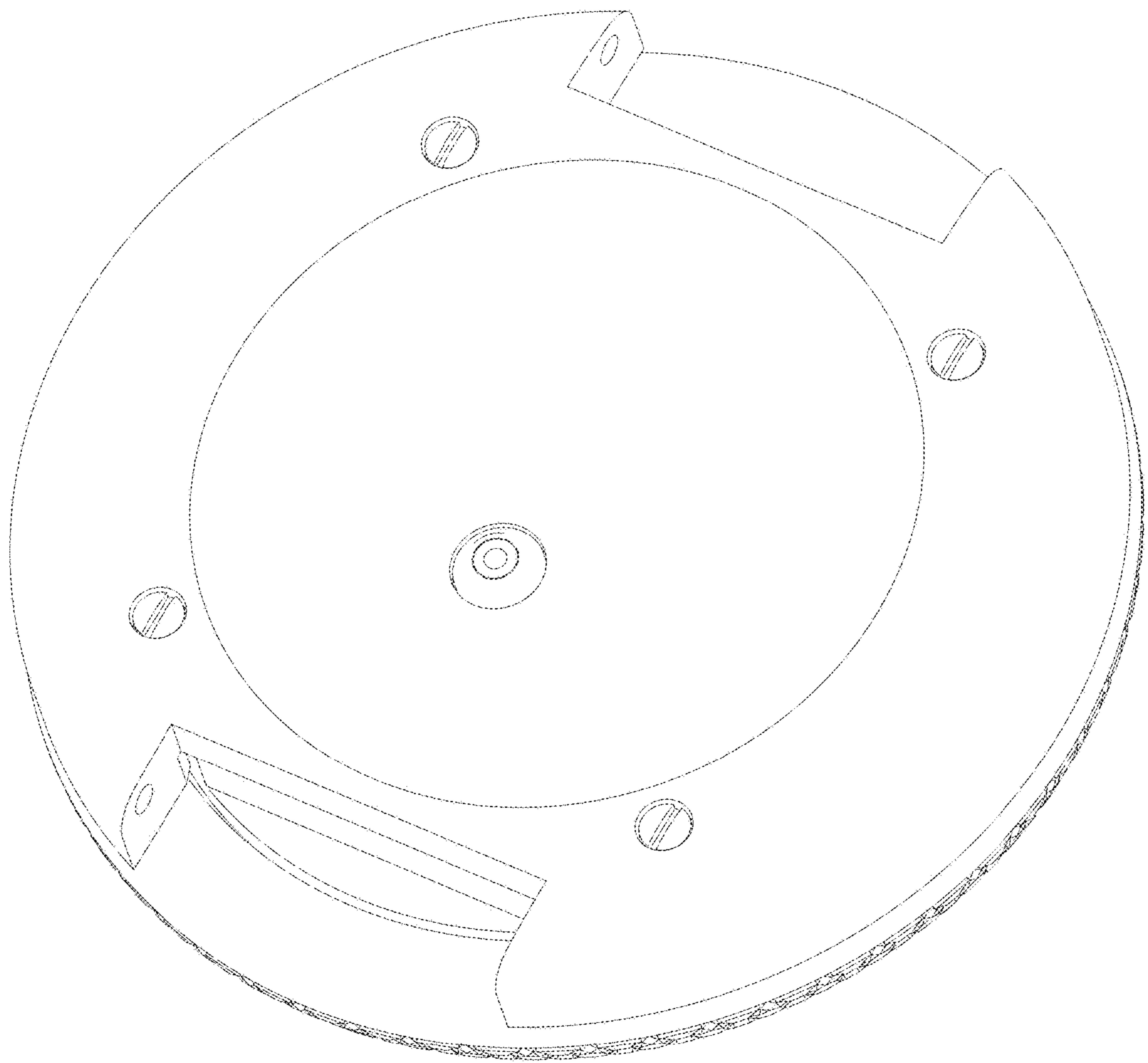


Fig. 8