



US00D915221S

(12) **United States Design Patent** (10) **Patent No.:** **US D915,221 S**
Dominion et al. (45) **Date of Patent:** **** Apr. 6, 2021**

(54) **CONTAINER**

(71) Applicant: **D6 Inc.**, Portland, OR (US)

(72) Inventors: **Ed Dominion**, Portland, OR (US);
Martin Troudt, Portland, OR (US);
Ben McGregor, Portland, OR (US)

(73) Assignee: **D6 Inc.**, Portland, OR (US)

(**) Term: **15 Years**

(21) Appl. No.: **29/732,004**

(22) Filed: **May 6, 2020**

Related U.S. Application Data

(62) Division of application No. 29/605,994, filed on May 31, 2017, now Pat. No. Des. 884,482.

(51) **LOC (13) Cl.** **09-03**

(52) **U.S. Cl.**
USPC **D9/737; D7/553.3**

(58) **Field of Classification Search**

USPC D9/341, 347, 414-432, 440, 444, 447,
D9/449, 450-454, 503, 504, 737, 759,
D9/761; D7/672, 601, 550.1, 551.1,
D7/551.2, 551.3, 552.1, 552.2, 553.1,
D7/553.2, 553.3, 553.4, 553.5, 553.7,
D7/553.8, 554.1, 554.3, 555, 557, 602,
D7/629, 630, 538-542, 612-615, 584,
D7/586, 587, 392.1, 709, 502, 608, 622,
D7/701, 703, 543-549, 317-319, 391,
D7/392, 396.2, 510, 511; D3/273,
D3/201-206, 276, 283, 284, 295, 274,
D3/302; D11/143; 249/126, 134;
206/216, 217, 541-550, 518, 557, 558,
206/561, 564, 223, 467; 220/669-673,
220/675, 574-575, 573.1, 4.21, 660, 326,
220/236, 780-806, 4.24, 288, 260, 266,
220/306, 352, 356, 523, 23.8, 23.2, 23.83,
220/23.4, 662, 700, 701, 703, 711,
220/713-715, 719; 426/106; 229/107,
229/406, 120, 125.17; 215/211, 200, 224,
215/243

CPC B65D 1/36; B65D 2543/00194; B65D
2543/00296; B65D 2543/00555; B65D
2581/3425; B65D 25/04; B65D 43/0218;
B65D 2543/00083; B65D 2543/00268;
B65D 2543/00277; B65D 2543/00351;
B65D 81/3453; B65D 43/16; B65D
51/28; B65D 43/162; B65D 1/24; B65D
21/0237; B65D 2543/00101; A47G 19/02;
A47G 19/065; A47G 23/0608; A47G
23/06

See application file for complete search history.

(56) **References Cited**

U.S. PATENT DOCUMENTS

4,026,457 A 5/1977 Schubert
5,497,885 A 3/1996 Sussman
D395,003 S 6/1998 Daniels

(Continued)

Primary Examiner — W. A. Teddy Falloway

(74) *Attorney, Agent, or Firm* — Stoel Rives LLP

(57) **CLAIM**

The ornamental design for a container, as shown and described.

DESCRIPTION

FIG. 1 is a front, top isometric view of a container of our new design.

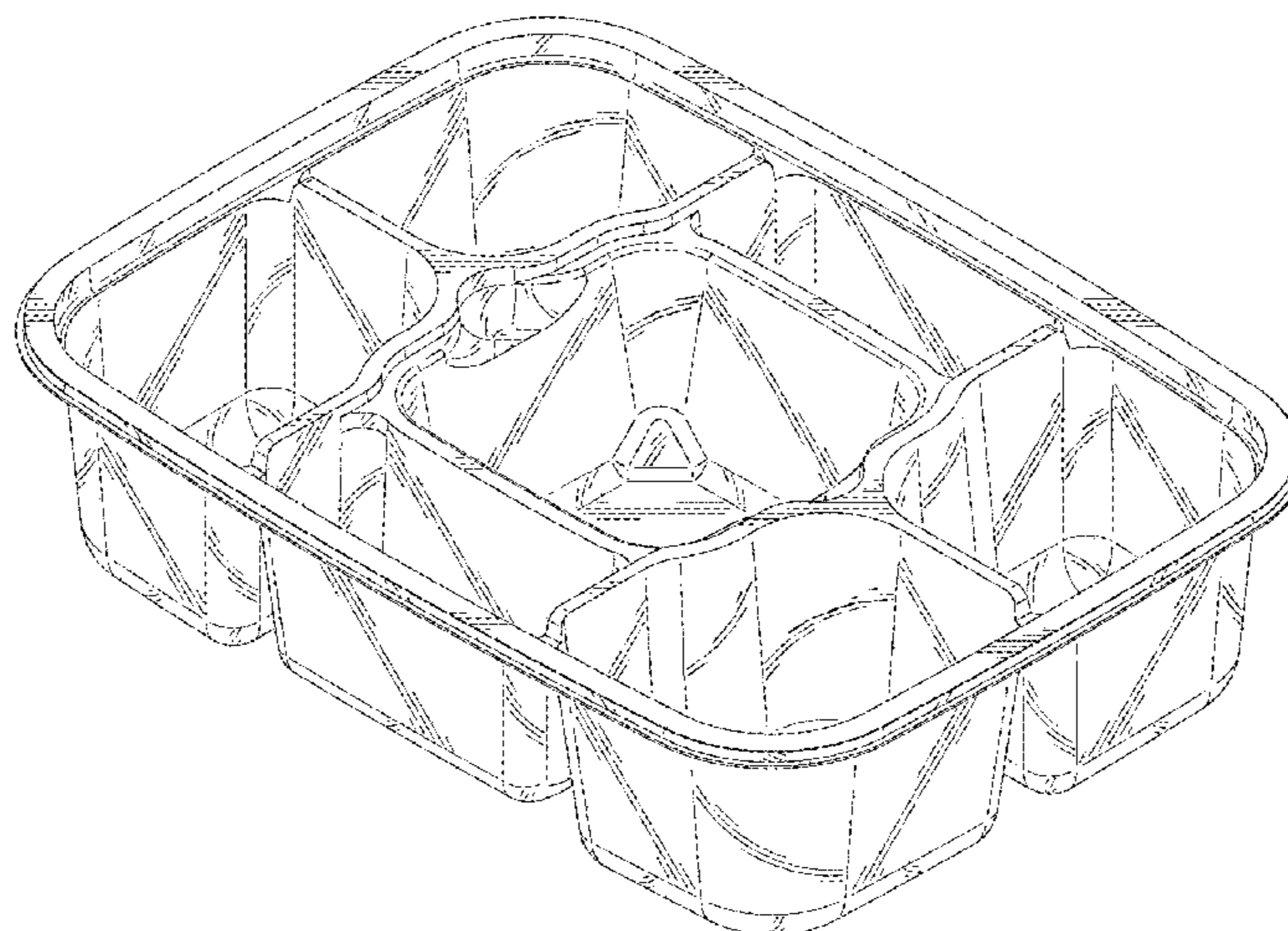
FIG. 2 is a front elevational view of the container of FIG. 1, the rear elevational view being identical thereto.

FIG. 3 is a right elevational view of the container of FIG. 1, the left elevational view being identical thereto.

FIG. 4 is a top plan view of the container of FIG. 1.

FIG. 5 is a bottom plan view of the container of FIG. 1; and, FIG. 6 is a bottom isometric view of the container of FIG. 1.

1 Claim, 5 Drawing Sheets



(56)

References Cited

U.S. PATENT DOCUMENTS

D440,118	S	4/2001	Claffy	
D463,977	S	10/2002	Castellanos	
D482,280	S	11/2003	Pratte	
D492,593	S	7/2004	Dutton	
D504,326	S	4/2005	Vovan	
D508,634	S	8/2005	Chambers	
D515,939	S	2/2006	Al Sanea	
7,017,774	B2	3/2006	Haedt	
7,083,818	B2	8/2006	Pratte	
D555,475	S	11/2007	Enriquez	
D572,148	S	7/2008	Mangino et al.	
D572,149	S	7/2008	Mangino	
7,874,449	B1	1/2011	Studee	
D647,807	S	11/2011	Golota et al.	
D648,635	S	11/2011	Golota	
D648,636	S	11/2011	Golota	
D653,963	S	2/2012	Golota	
D695,077	S	12/2013	Chase	
D729,588	S	5/2015	Breton	
D731,248	S	6/2015	Breton	
D734,098	S	7/2015	Breton	
D735,028	S	7/2015	Baillies	
D737,633	S	9/2015	Breton	
D798,167	S	9/2017	Bennett	
D805,400	S	12/2017	Shoshan	
D884,482	S *	5/2020	Dominion	D9/737
D884,483	S *	5/2020	Dominion	D9/737
D884,484	S *	5/2020	Dominion	D9/737
D885,201	S *	5/2020	Dominion	D9/737
D893,315	S *	8/2020	Dominion	D9/737
D894,018	S *	8/2020	Dominion	D9/737
D897,865	S *	10/2020	Dominion	D9/737
2010/0181318	A1	7/2010	Bava	
2011/0240653	A1	10/2011	Castner	
2013/0081361	A1	4/2013	Miros	

* cited by examiner

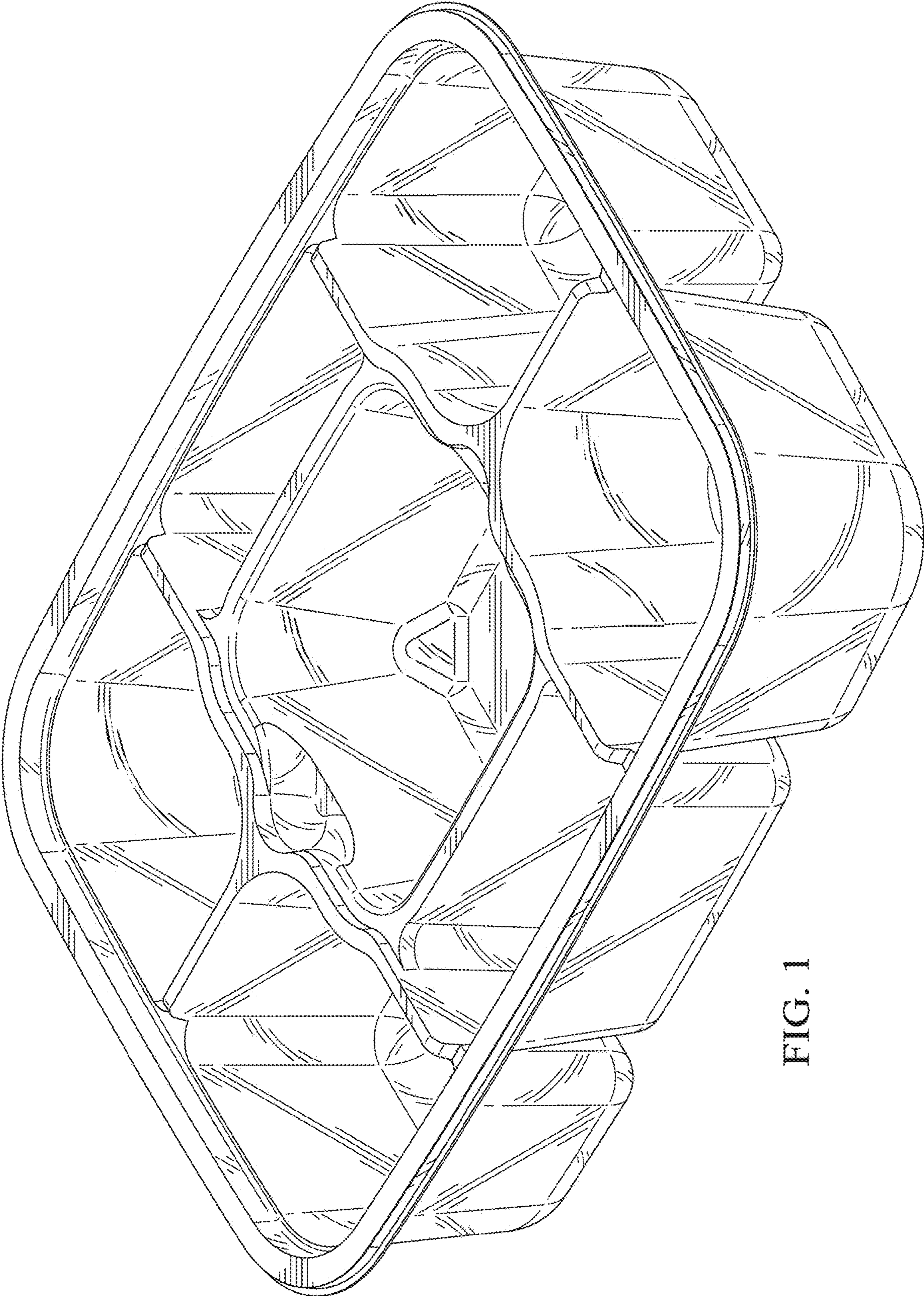


FIG. 1

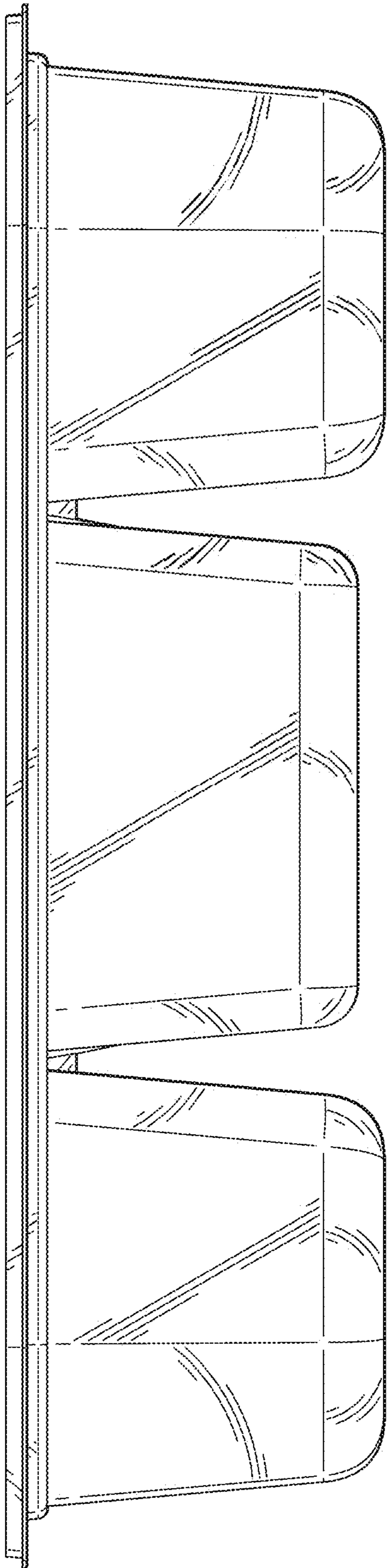


FIG. 2

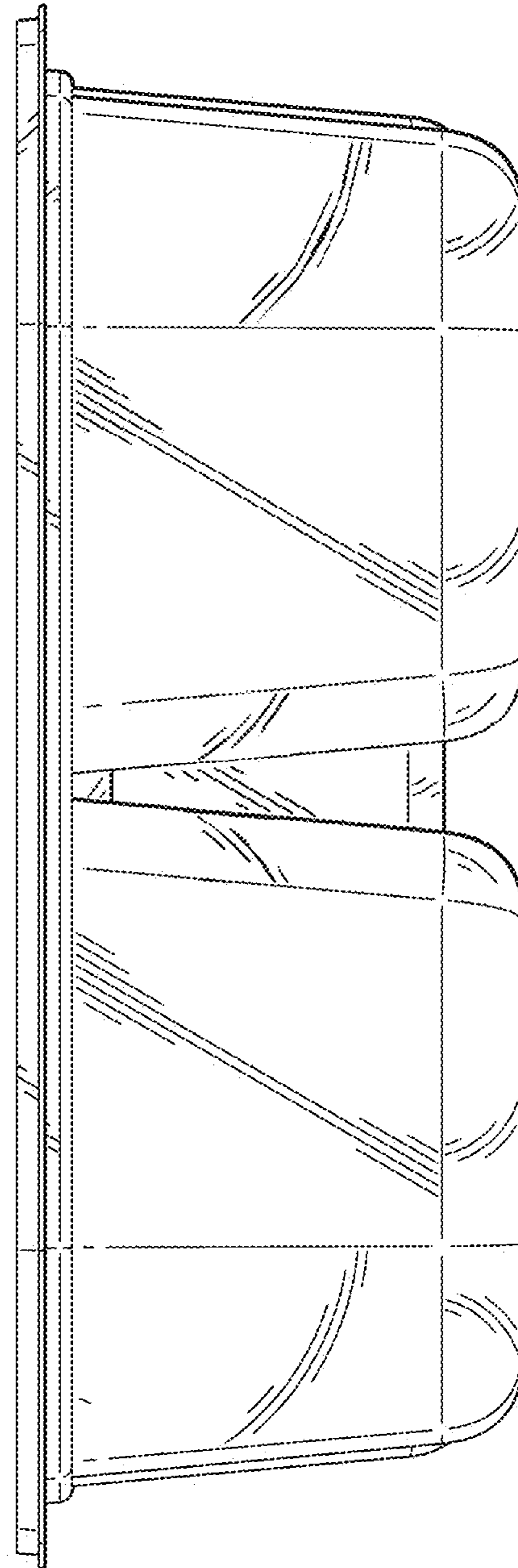


FIG. 3

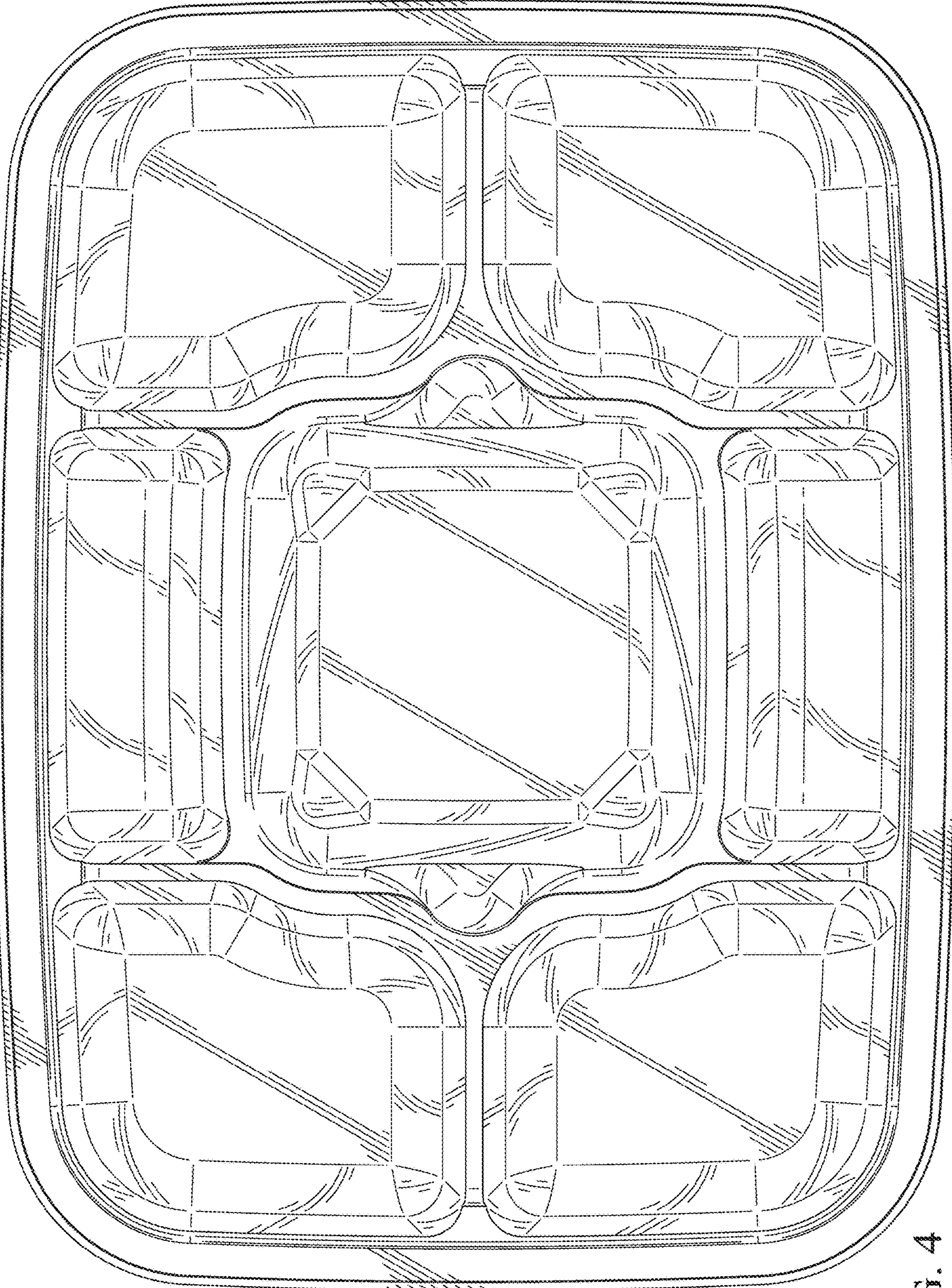


FIG. 4

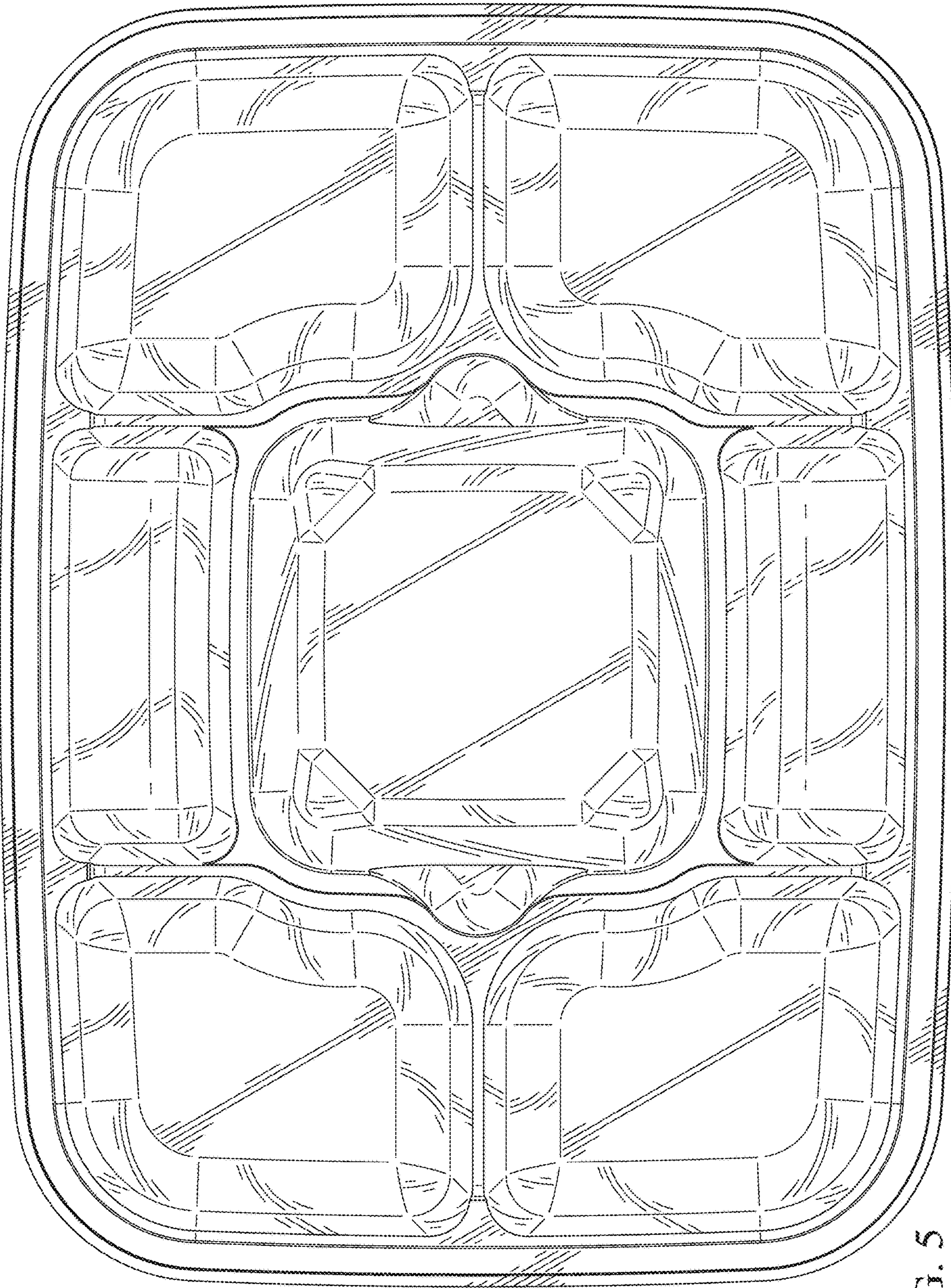


FIG. 5

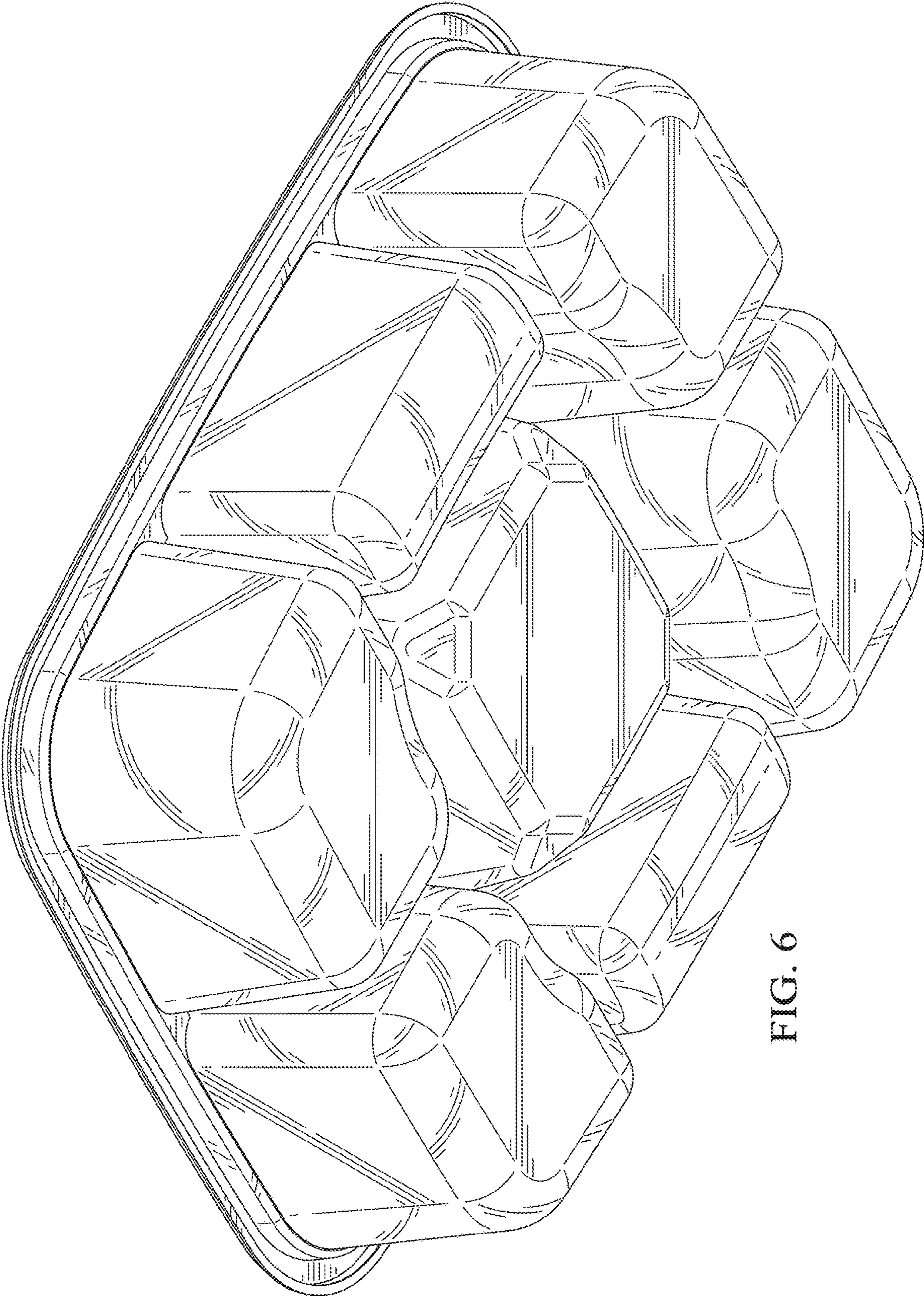


FIG. 6