



US00D915210S

(12) **United States Design Patent**
Hegarty

(10) **Patent No.:** **US D915,210 S**

(45) **Date of Patent:** **** Apr. 6, 2021**

(54) **CONTAINER**

(71) Applicant: **John Hegarty**, Thurles (IE)

(72) Inventor: **John Hegarty**, Thurles (IE)

(73) Assignee: **AQUA STORAGE RETAINERS LIMITED**, Thurles (IE)

(**) Term: **15 Years**

(21) Appl. No.: **29/721,513**

(22) Filed: **Jan. 21, 2020**

Related U.S. Application Data

(63) Continuation-in-part of application No. 29/721,509, filed on Jan. 21, 2020.

(30) **Foreign Application Priority Data**

Jul. 19, 2019 (EM) 006638573

(51) **LOC (13) Cl.** **09-01**

(52) **U.S. Cl.**
USPC **D9/527; D9/528**

(58) **Field of Classification Search**

USPC D9/440, 443, 447, 516, 520, 523-528,
D9/530-543, 550, 551, 552, 554, 556,
D9/558, 563, 428, 518, 734, 573-575,
D9/564, 522, 529; D7/396.2, 507, 509,
D7/510, 511, 532, 533, 608, 631-634;
D3/202, 23; D6/518, 523, 734;
D23/211.1, 211.2

CPC B65D 1/0223; B65D 2543/00296; B65D
2543/0092; B65D 2543/00537; B65D
2501/0081; B65D 23/10; B65D 23/102;
B65D 1/85; B65D 1/44; A47J 43/27

See application file for complete search history.

(56) **References Cited**

U.S. PATENT DOCUMENTS

D202,744 S * 11/1965 Greenwell D9/520
D205,166 S * 6/1966 Price D9/527

D224,639 S * 8/1972 Schieser D9/527
D227,345 S 6/1973 Bell
D245,577 S 8/1977 Smythe
(Continued)

FOREIGN PATENT DOCUMENTS

CA 162669 S 2/2016
EM 002458463-0001 6/2014
(Continued)

OTHER PUBLICATIONS

“Stater Bros Distilled Water”, <https://www.instacart.com/stater-bros/products/3244051-stater-bros-distilled-water-2-5-gal>.
(Continued)

Primary Examiner — Brett Miller
Assistant Examiner — Rani J Abdallah

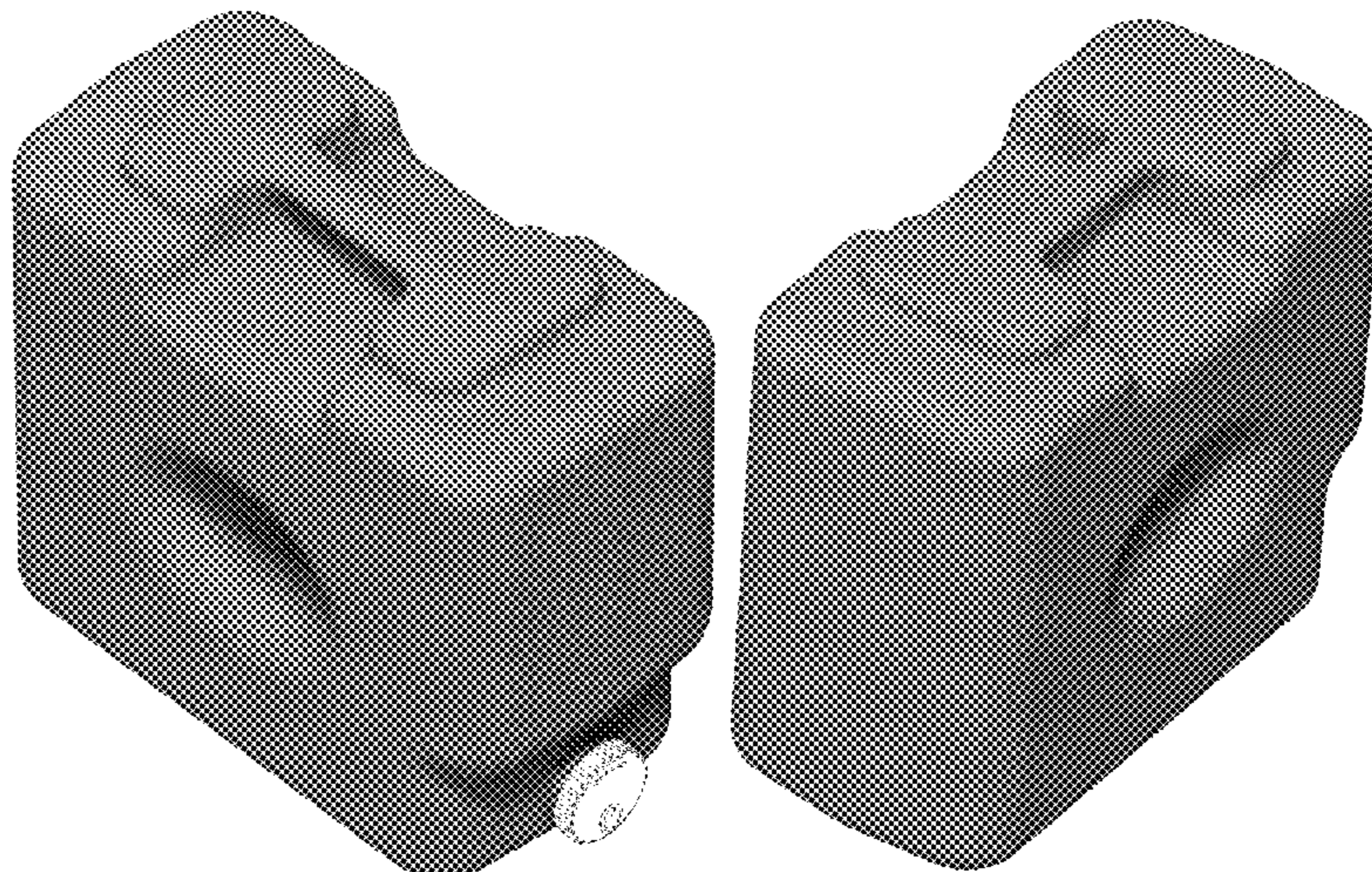
(57) **CLAIM**

The ornamental design for a container, as shown and described.

DESCRIPTION

FIG. 1 is a front-top-right perspective view of a container showing my new design;
FIG. 2 is a front-top-left perspective view thereof;
FIG. 3 is a front-bottom-left perspective view thereof;
FIG. 4 is a front elevational view thereof;
FIG. 5 is a rear elevational view thereof;
FIG. 6 is a top plan view thereof;
FIG. 7 is a bottom view thereof;
FIG. 8 is a right-side elevational view thereof; and,
FIG. 9 is a left-side elevational view thereof.
The broken lines showing of tap in FIGS. 1, 3-5 and 7-8 are included for the purpose of showing environmental structure and form no part of the claimed design.

1 Claim, 9 Drawing Sheets



(56)

References Cited

U.S. PATENT DOCUMENTS

D249,701 S * 9/1978 Maples D9/447
 D258,866 S * 4/1981 Houseman D9/528
 D278,031 S * 3/1985 Elmburg D23/211.2
 D278,886 S 5/1985 Kanfer
 D282,244 S * 1/1986 Santoiemmo D9/520
 D282,347 S * 1/1986 Steiner D9/520
 D282,527 S * 2/1986 Larson D9/520
 D289,976 S * 5/1987 Humpries D9/525
 D296,420 S * 6/1988 Frahm D9/528
 D296,668 S * 7/1988 Stavish D9/530
 D297,212 S * 8/1988 Stavish D9/520
 D303,928 S * 10/1989 Mednis D9/523
 D304,296 S * 10/1989 Wilson D9/526
 D304,999 S * 12/1989 Platte, Sr. D9/528
 D305,504 S * 1/1990 Fischer D9/520
 4,899,885 A 2/1990 Van Koert
 D325,871 S * 5/1992 Hestehave D9/520
 D331,791 S 12/1992 Ferguson
 D339,022 S * 9/1993 McGinnis D9/527
 D354,414 S 1/1995 Westgerdes
 D358,097 S * 5/1995 Leibowitz D9/527
 D358,548 S * 5/1995 Platte D9/527
 D358,660 S * 5/1995 Swift D9/523
 D360,943 S * 8/1995 Lafond D9/527
 D361,720 S * 8/1995 Rokus D9/520
 D363,019 S * 10/1995 Arnold D9/524
 D365,520 S * 12/1995 Luther D23/211.2
 D365,521 S * 12/1995 Bevan D9/527
 D366,419 S * 1/1996 Hestehave D9/520
 D370,379 S * 6/1996 Klein D9/527
 D371,967 S 7/1996 Miller
 D374,824 S * 10/1996 Rokus D9/527
 5,884,802 A 3/1999 Leibowitz

D408,588 S 4/1999 Zorovich
 D451,394 S 12/2001 Studer
 D454,789 S 3/2002 Harvey et al.
 D472,155 S 3/2003 DeKoning et al.
 6,935,533 B2 * 8/2005 Clausen B65D 1/20
 222/143
 D569,476 S * 5/2008 Munlin D23/211.1
 D573,028 S 7/2008 Briessel et al.
 D616,752 S 6/2010 Adams
 D721,976 S 2/2015 Cornelius et al.
 D735,049 S * 7/2015 Cornelius D9/652
 D767,992 S 10/2016 Hegarty
 D769,123 S 10/2016 Hegarty
 D781,155 S 3/2017 Hegarty
 9,809,353 B2 * 11/2017 Gieske B65D 23/10
 D817,769 S 5/2018 Hegarty
 2006/0037929 A1 * 2/2006 Darr B65D 1/0223
 215/396
 2006/0037930 A1 * 2/2006 Darr B65D 1/0223
 215/396
 2017/0334601 A1 * 11/2017 Nenna B65D 11/04

FOREIGN PATENT DOCUMENTS

EM 002458463-0002 6/2014
 EM 002586974-0001 11/2014
 EM 002586974-0002 11/2014

OTHER PUBLICATIONS

“2.5 Gallon bottle of Kentucky’s Highbridge Springs Drinking Water”, <https://highbridgesprings.com/products/bottled-water/2-5-gallons-of-kentuckys-highbridge-springs-drinking-water/>.

* cited by examiner

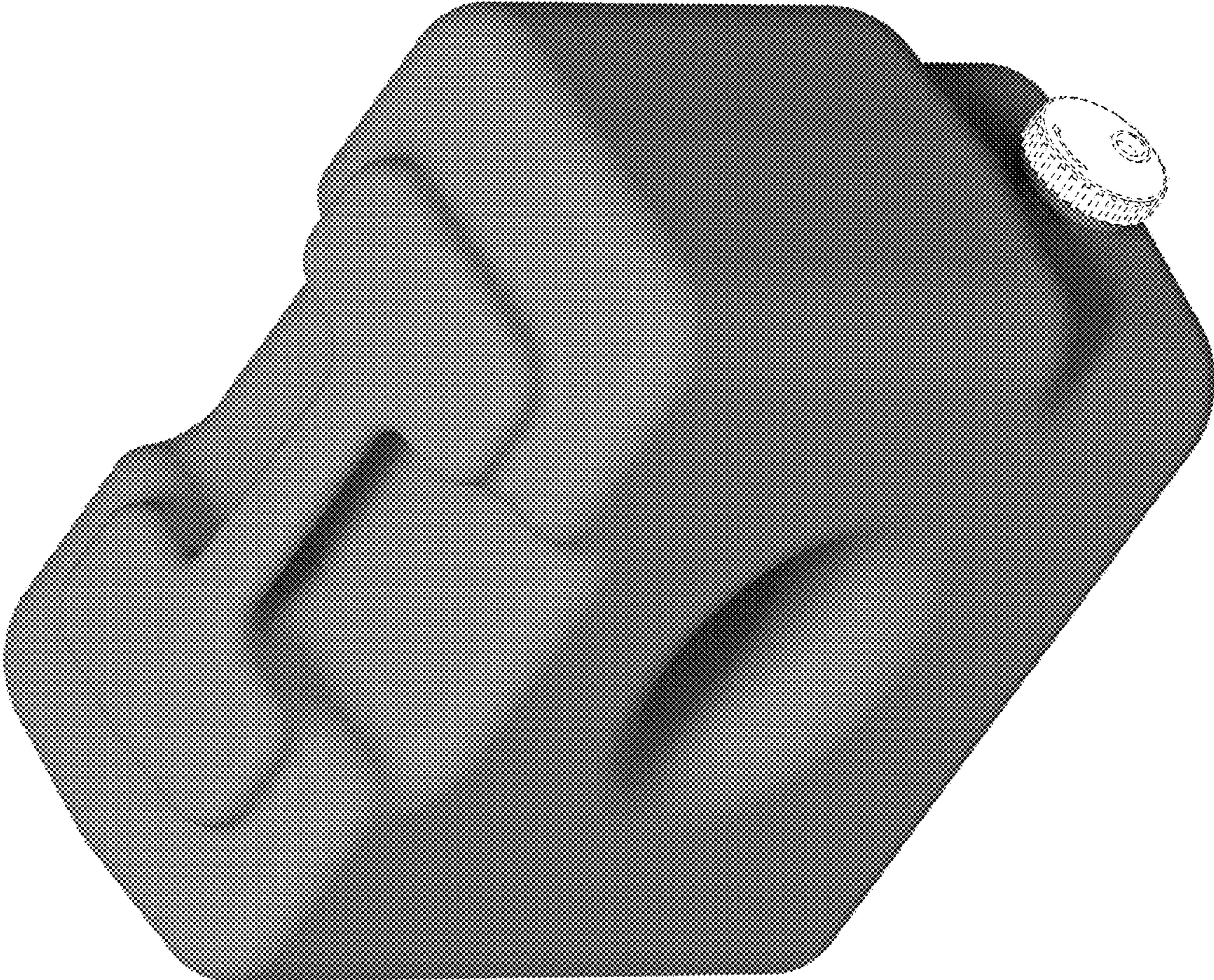


FIG. 1

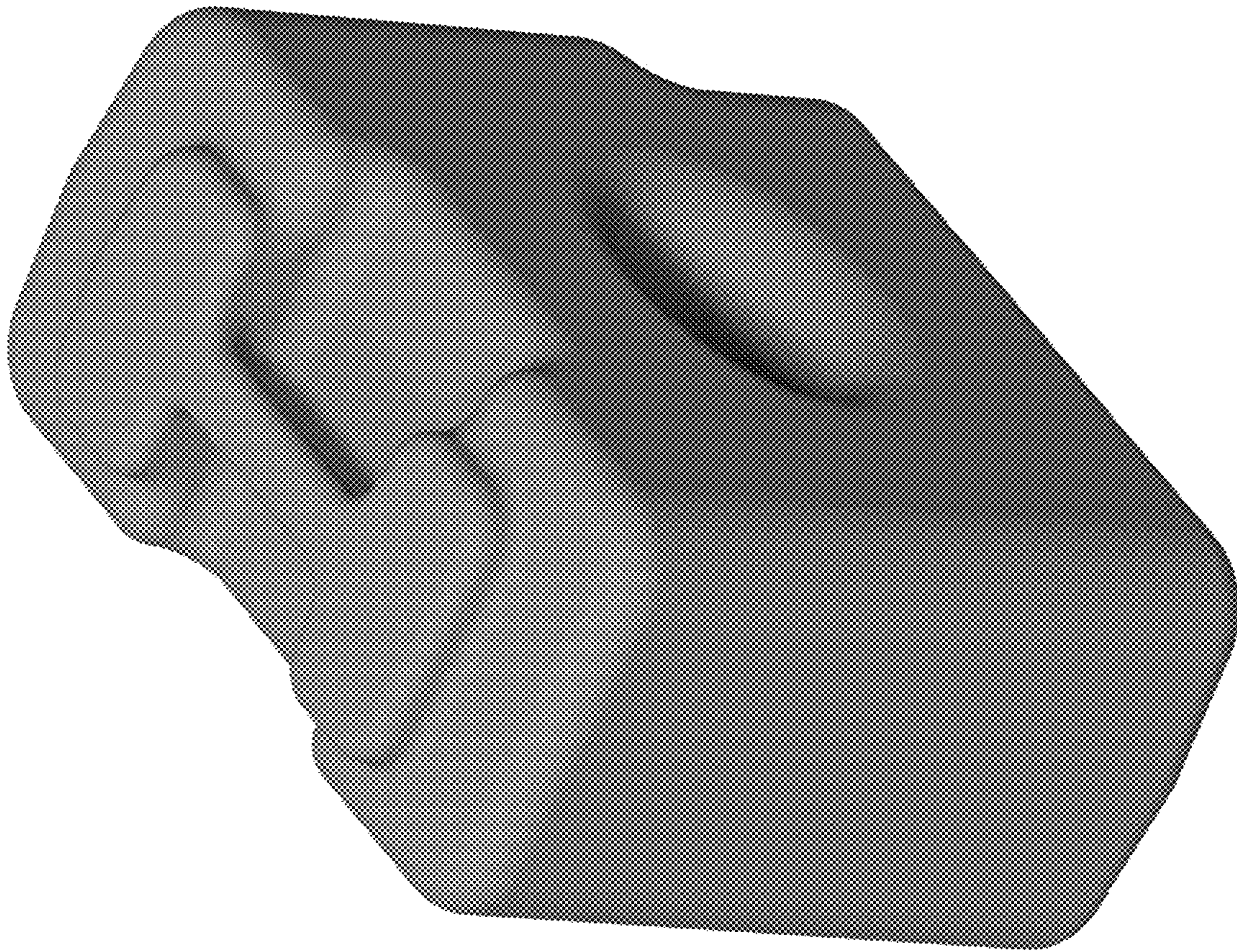


FIG. 2

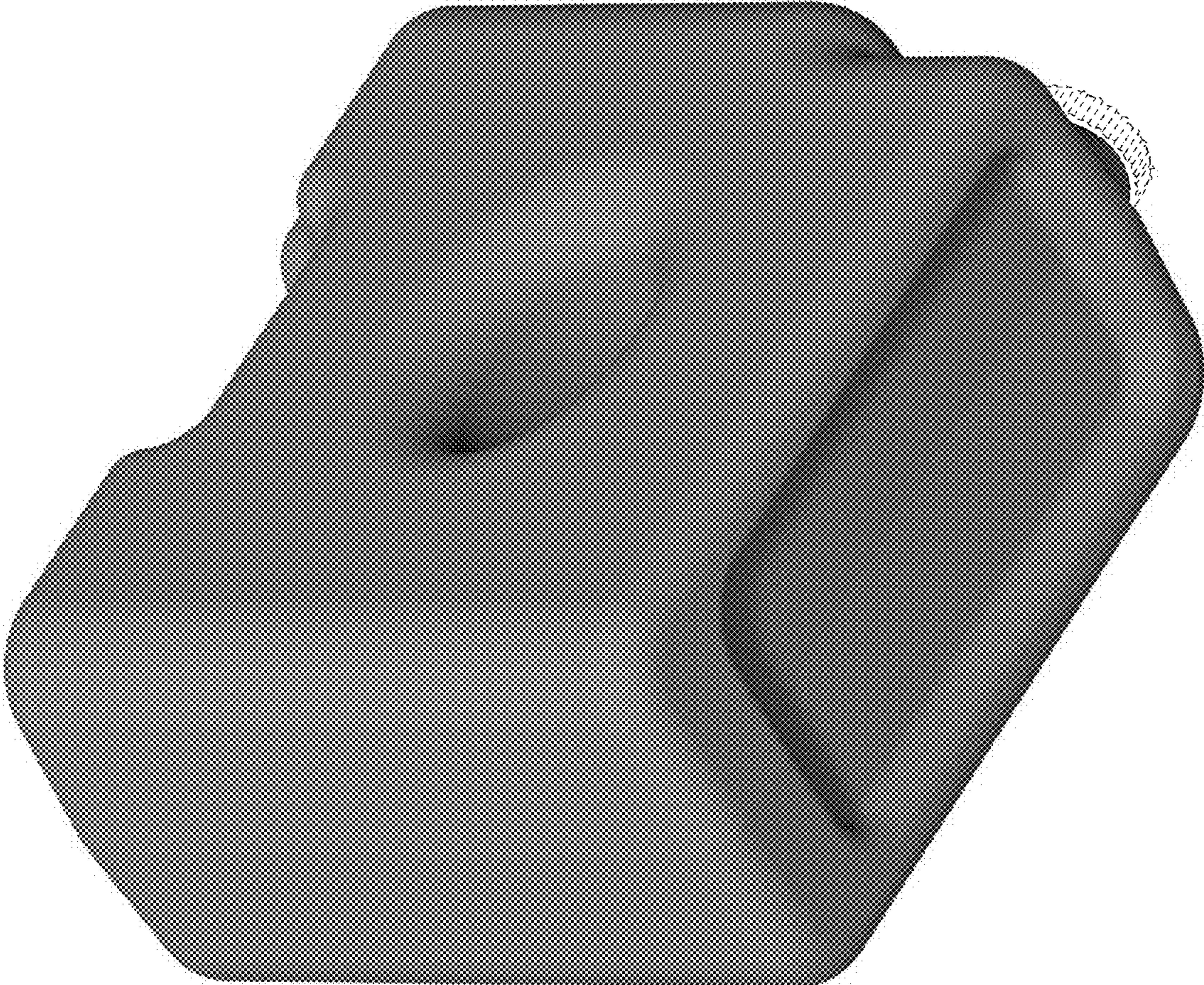


FIG. 3

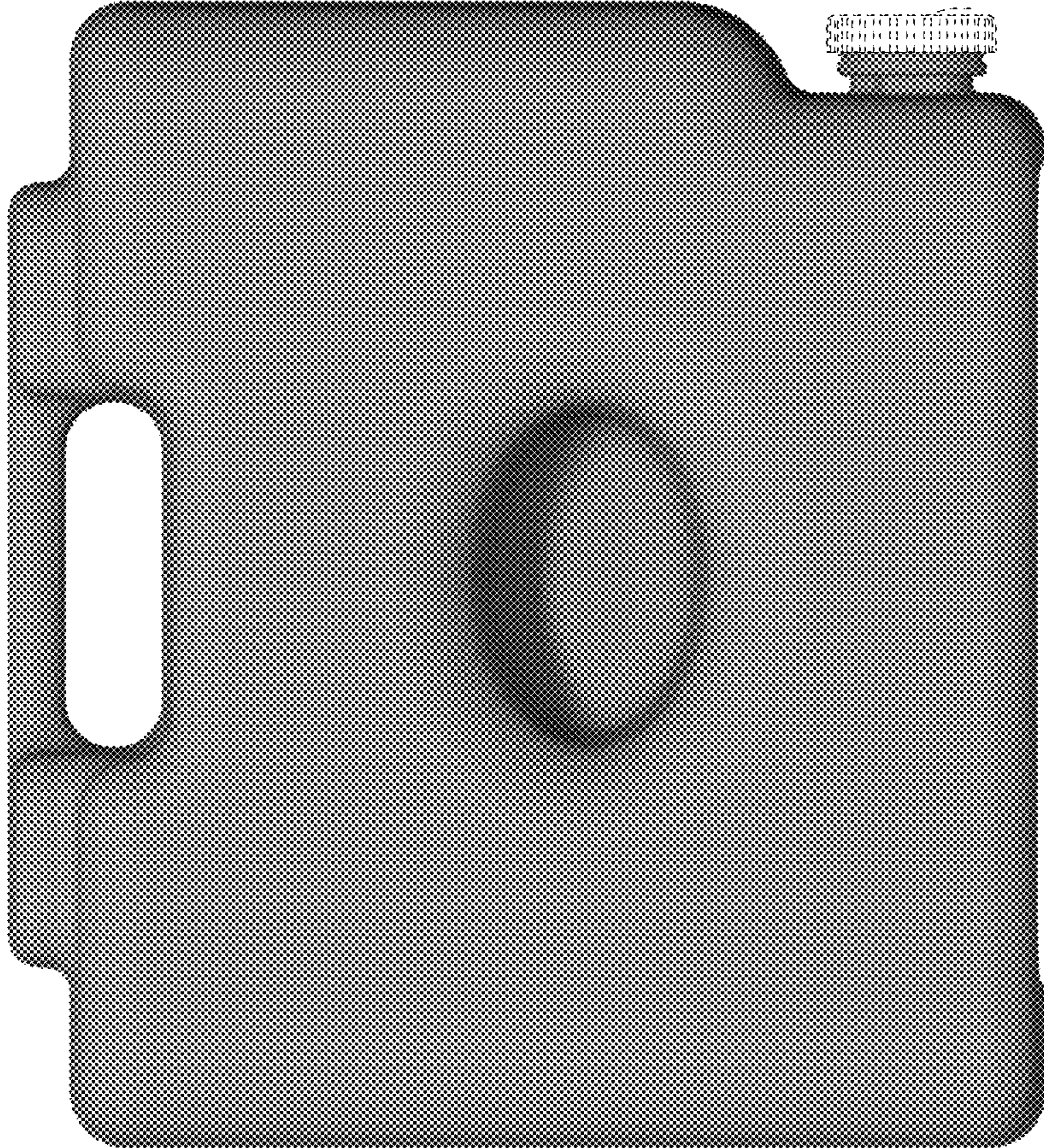


FIG. 4

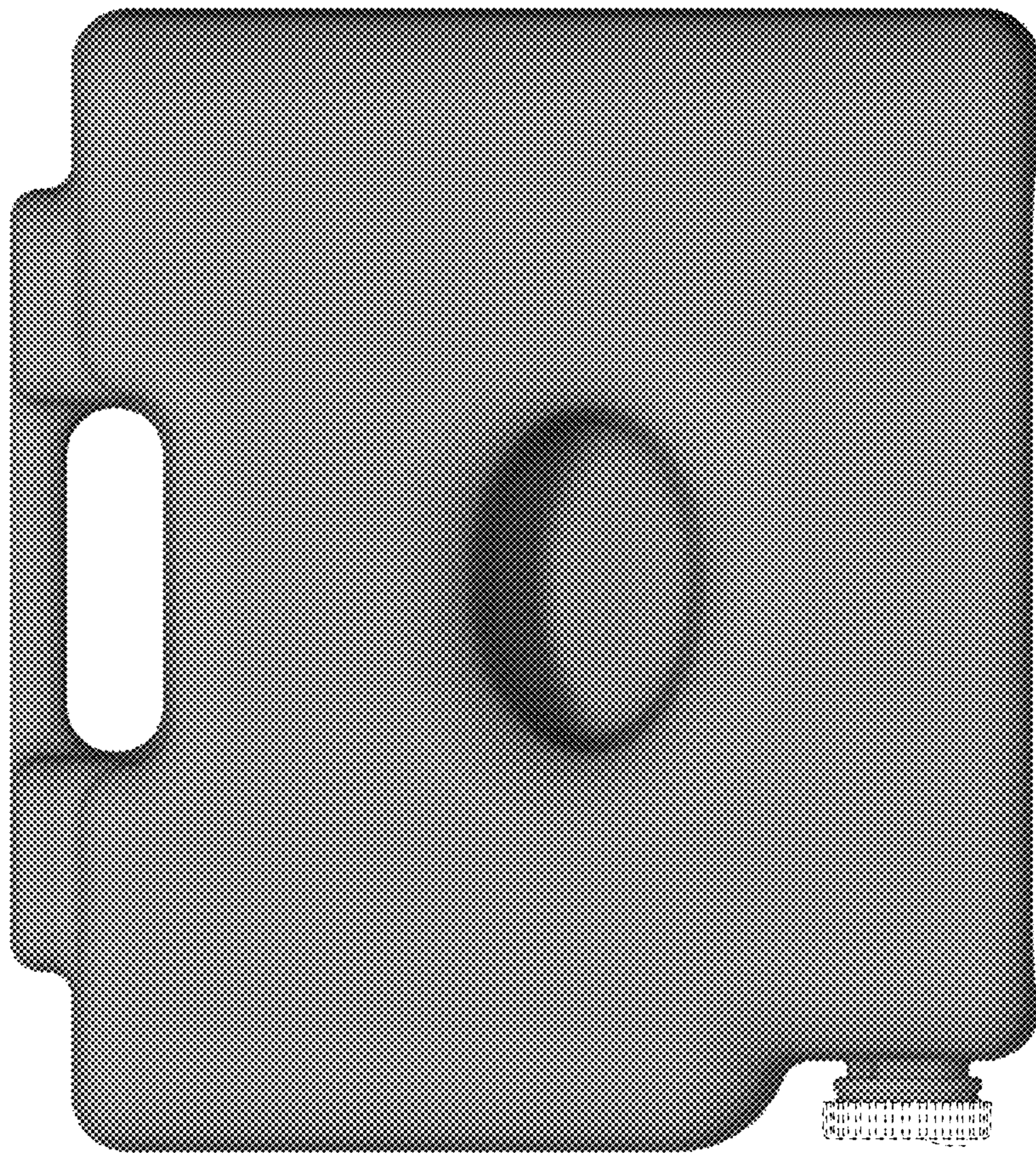


FIG. 5

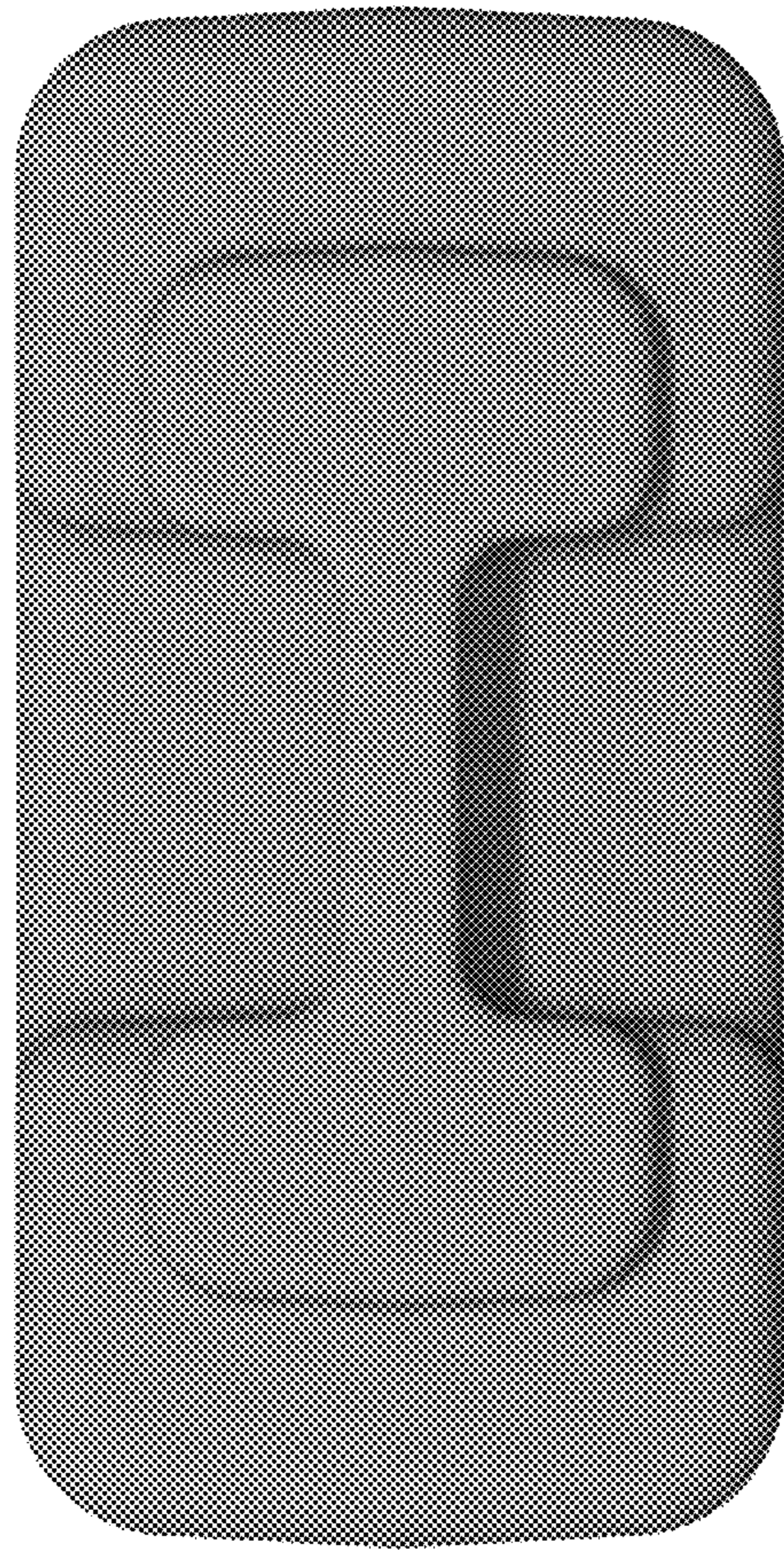


FIG. 6

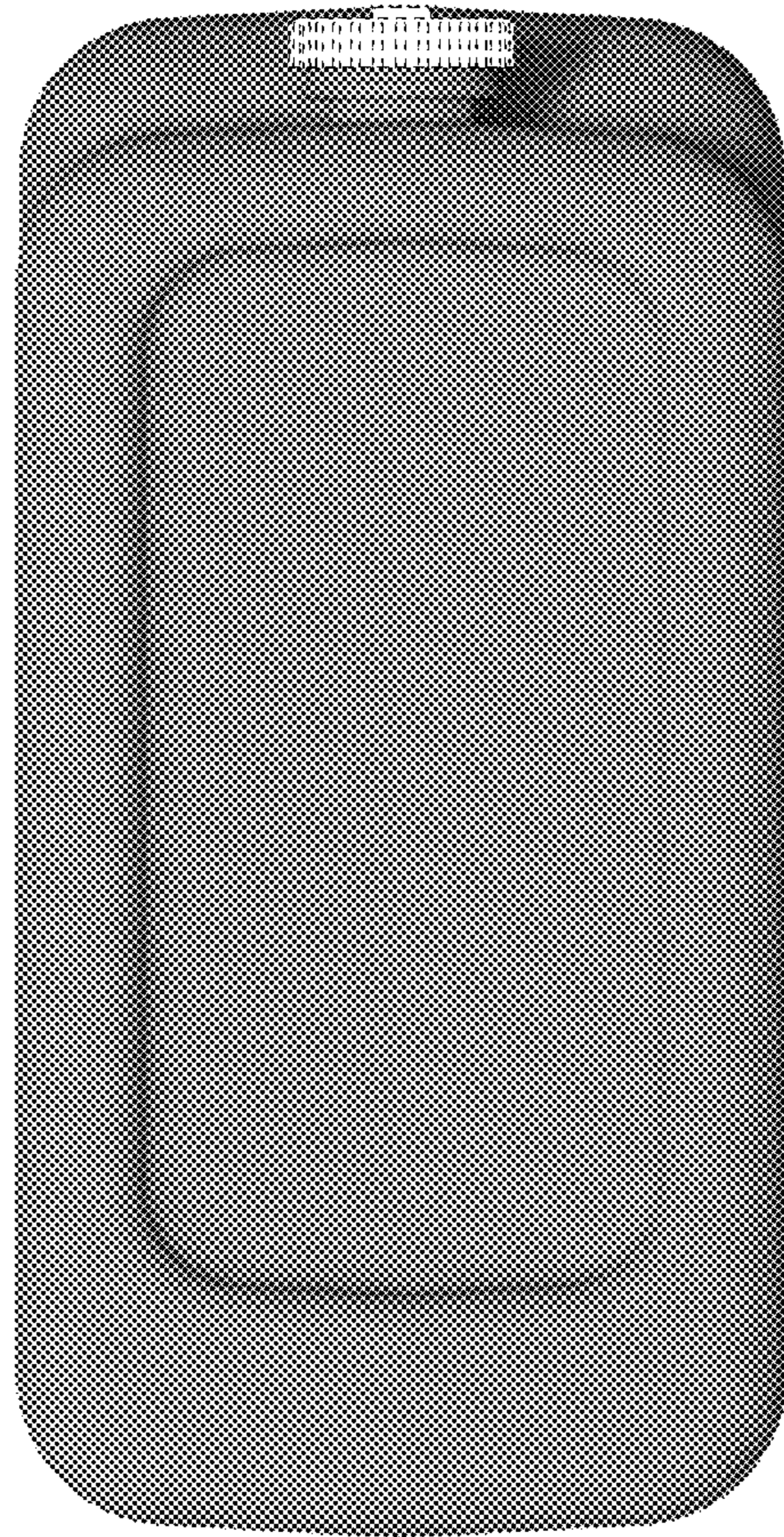


FIG. 7

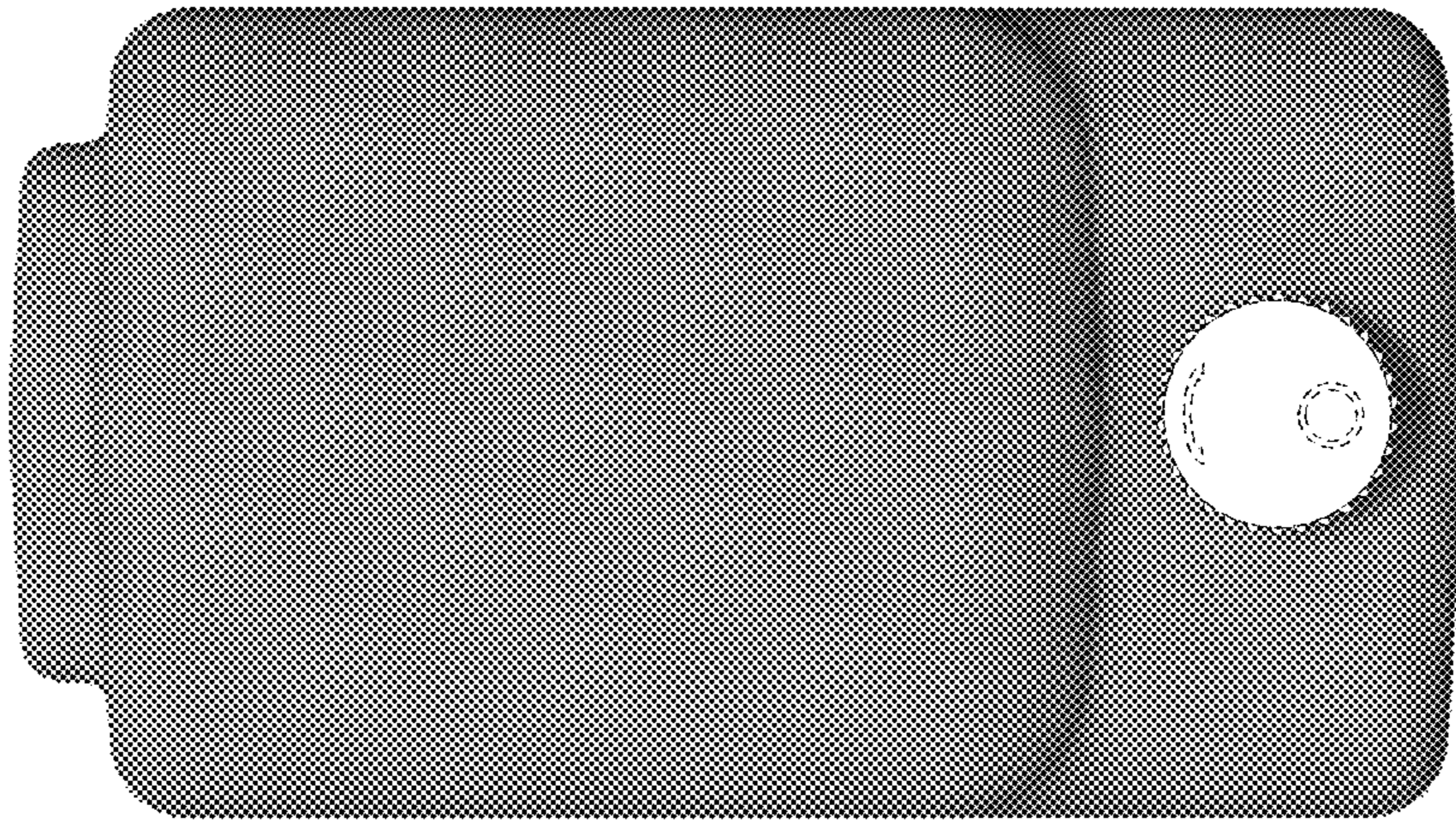


FIG. 8

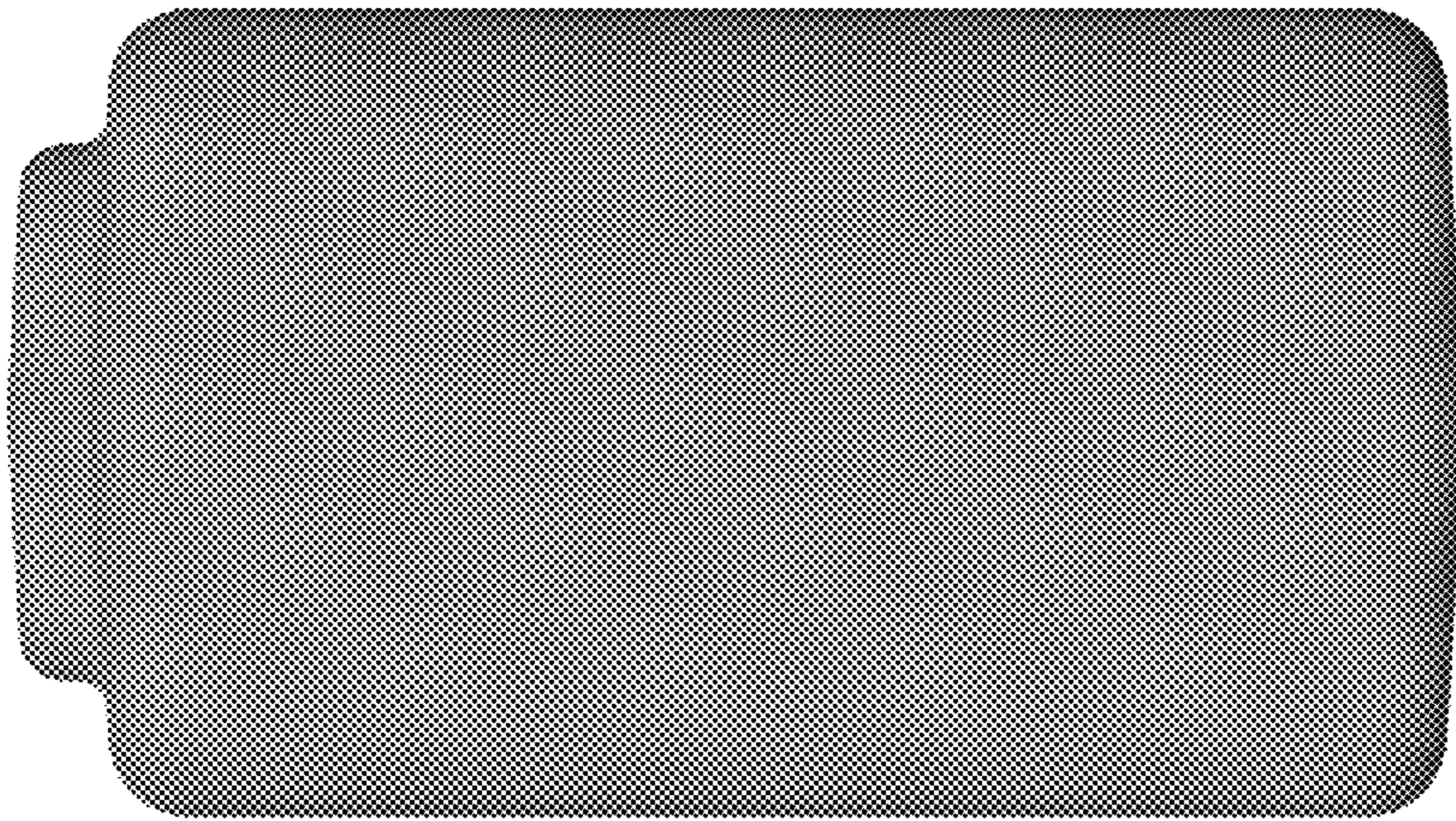


FIG. 9