



US00D915209S

(12) **United States Design Patent** (10) **Patent No.:** **US D915,209 S**
Kobayashi et al. (45) **Date of Patent:** **** Apr. 6, 2021**

(54) **CONTAINER**
(71) Applicant: **AICELLO CORPORATION**,
Toyohashi (JP)
(72) Inventors: **Masayoshi Kobayashi**, Toyohashi (JP);
Toshihiko Yorozuya, Toyohashi (JP)
(73) Assignee: **AICELLO CORPORATION**,
Toyohashi (JP)

4,051,265 A * 9/1977 Kirshenbaum B65D 23/0878
426/107
4,759,454 A * 7/1988 Nowicki B65D 1/0276
215/12.1
D411,802 S * 7/1999 Hestehave D9/500
10,301,083 B2 * 5/2019 Crawford B65D 47/06
D873,144 S * 1/2020 Trafficano, Jr. D9/531
D874,284 S * 2/2020 Palmer D9/531
D874,939 S * 2/2020 Janeczek D9/531
D874,940 S * 2/2020 Janeczek D9/531
D880,302 S * 4/2020 Palmer D9/516

(**) Term: **15 Years**
(21) Appl. No.: **29/679,653**
(22) Filed: **Feb. 8, 2019**

FOREIGN PATENT DOCUMENTS

CN 304149648 * 5/2017
JP 1221748 S 11/2004
JP 1376896 S 12/2009

(Continued)

(30) **Foreign Application Priority Data**

Aug. 10, 2018 (JP) 2018-017718 U
(51) **LOC (13) Cl.** **09-01**
(52) **U.S. Cl.**
USPC **D9/521**; D9/528; D9/531
(58) **Field of Classification Search**
USPC D9/521, 523, 528, 529, 544, 550, 574,
D9/500, 531, 543, 560, 563, 575, 905,
D9/907; D7/300, 300.1, 510, 598;
D23/211.1, 211.2; 215/398, 381;
D34/39; D11/62; 206/0.6; 220/6
CPC B65D 1/0223; B65D 23/10; B65D
2501/0081; B65D 21/0231; B65D 1/0284;
A47J 43/27; A47J 41/0077; A47J 19/023
See application file for complete search history.

OTHER PUBLICATIONS

A Kodama, Tamakan catalog by Kodama Plastics Co., Ltd., pub-
lished Apr. 2010, <http://www.d-kjk.co.jp/catalog/pdf/tamakan.pdf>, 6
pages.

Primary Examiner — W. A. Teddy Falloway
Assistant Examiner — Rani J Abdallah
(74) *Attorney, Agent, or Firm* — Collard & Roe, P.C.

(57) **CLAIM**

The ornamental design for a container, as shown and
described.

DESCRIPTION

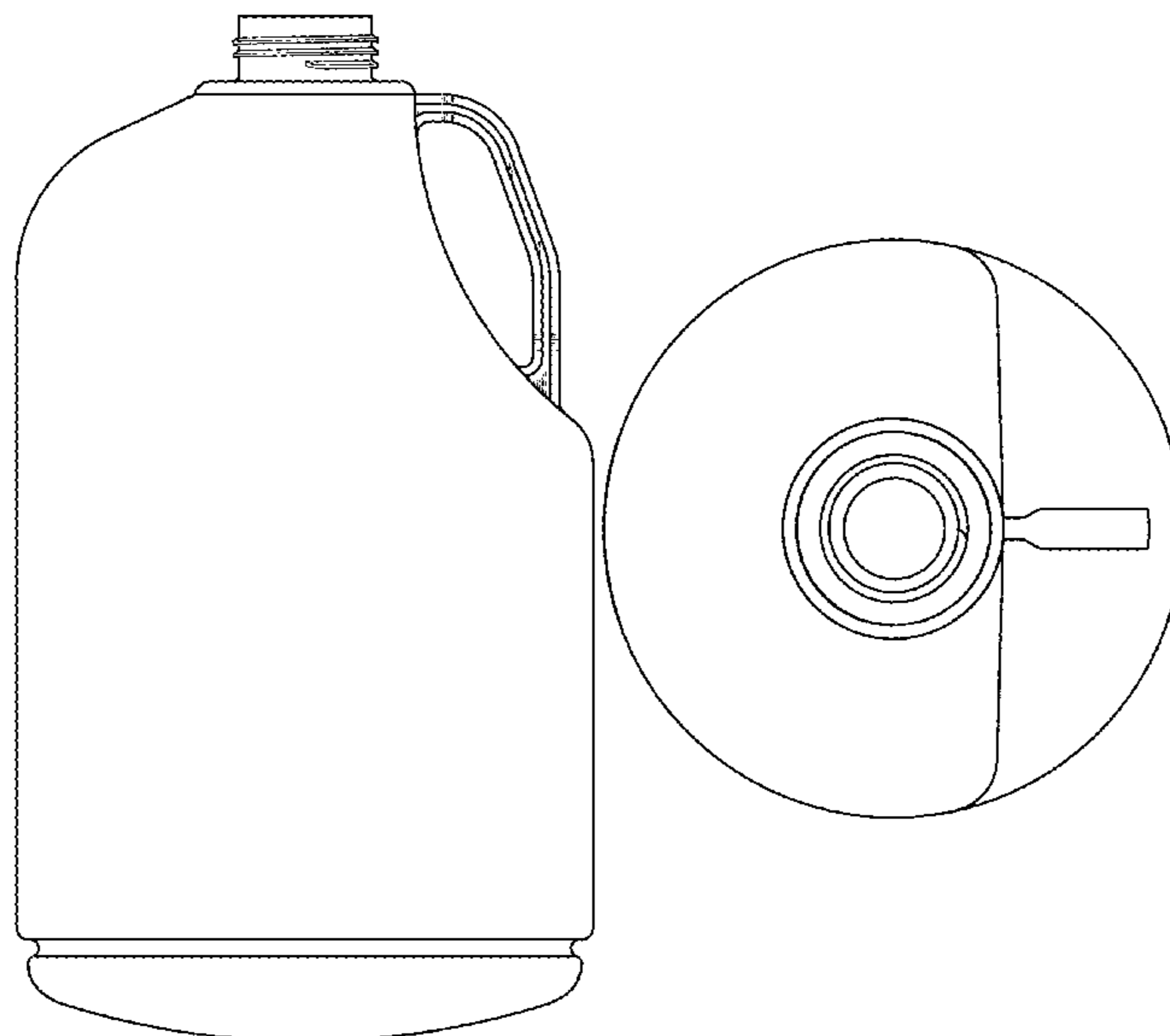
FIG. 1 is a front view of a container, showing our new
design;
FIG. 2 is a rear view thereof;
FIG. 3 is a left-side view thereof;
FIG. 4 is a right-side view thereof;
FIG. 5 is a top view thereof; and,
FIG. 6 is a bottom view thereof.

1 Claim, 6 Drawing Sheets

(56) **References Cited**

U.S. PATENT DOCUMENTS

D197,190 S * 12/1963 Natale D9/531
D201,103 S * 5/1965 Calsse D9/531
D208,824 S * 10/1967 Platte D9/531
D212,210 S * 9/1968 Anderson D9/528
D212,275 S * 9/1968 Hobbs D9/528



(56)

References Cited

FOREIGN PATENT DOCUMENTS

JP	1502759 S	7/2014
JP	1554921 S	7/2016
JP	1592045 S	11/2017

* cited by examiner

FIG. 1

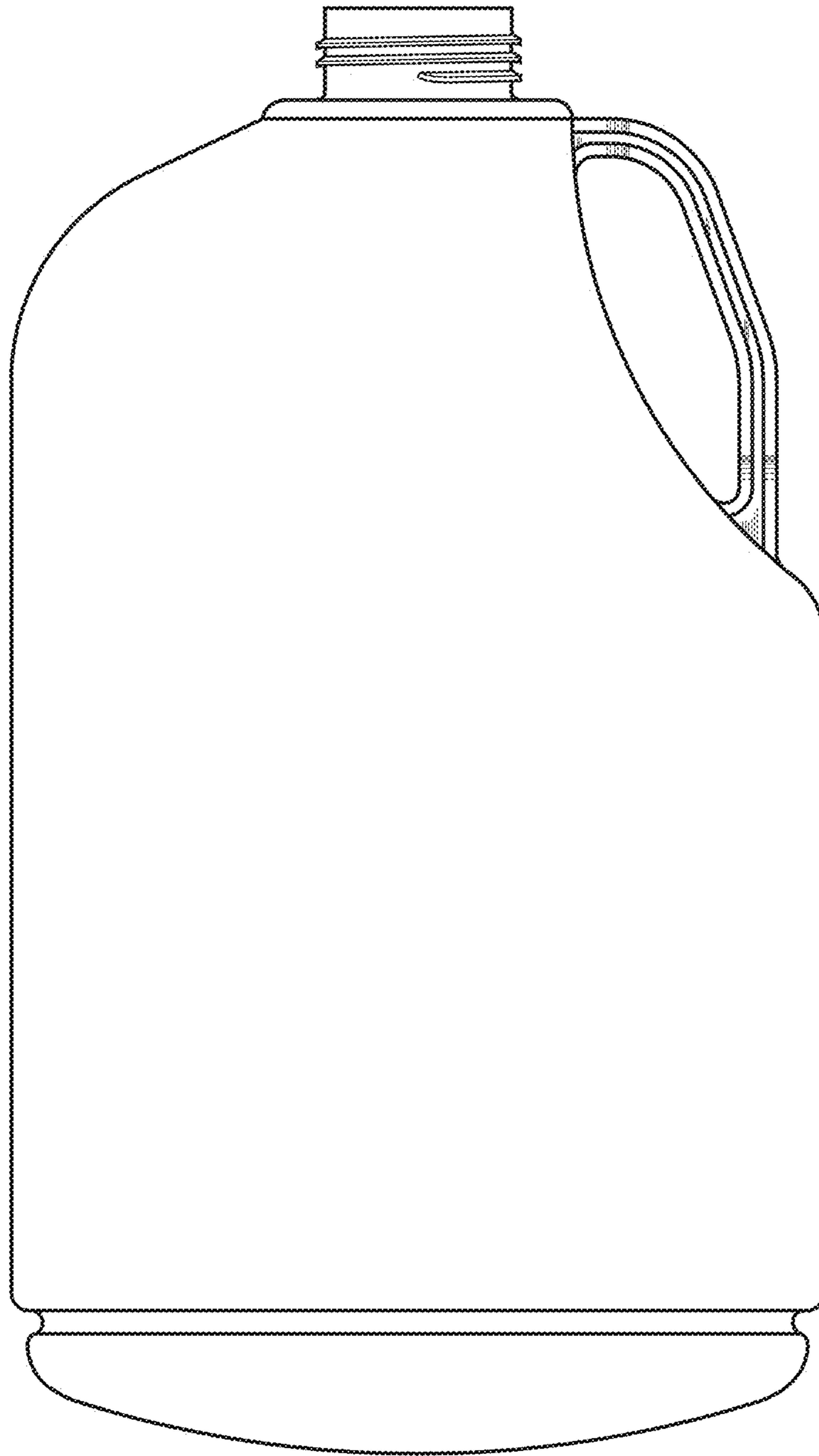


FIG. 2

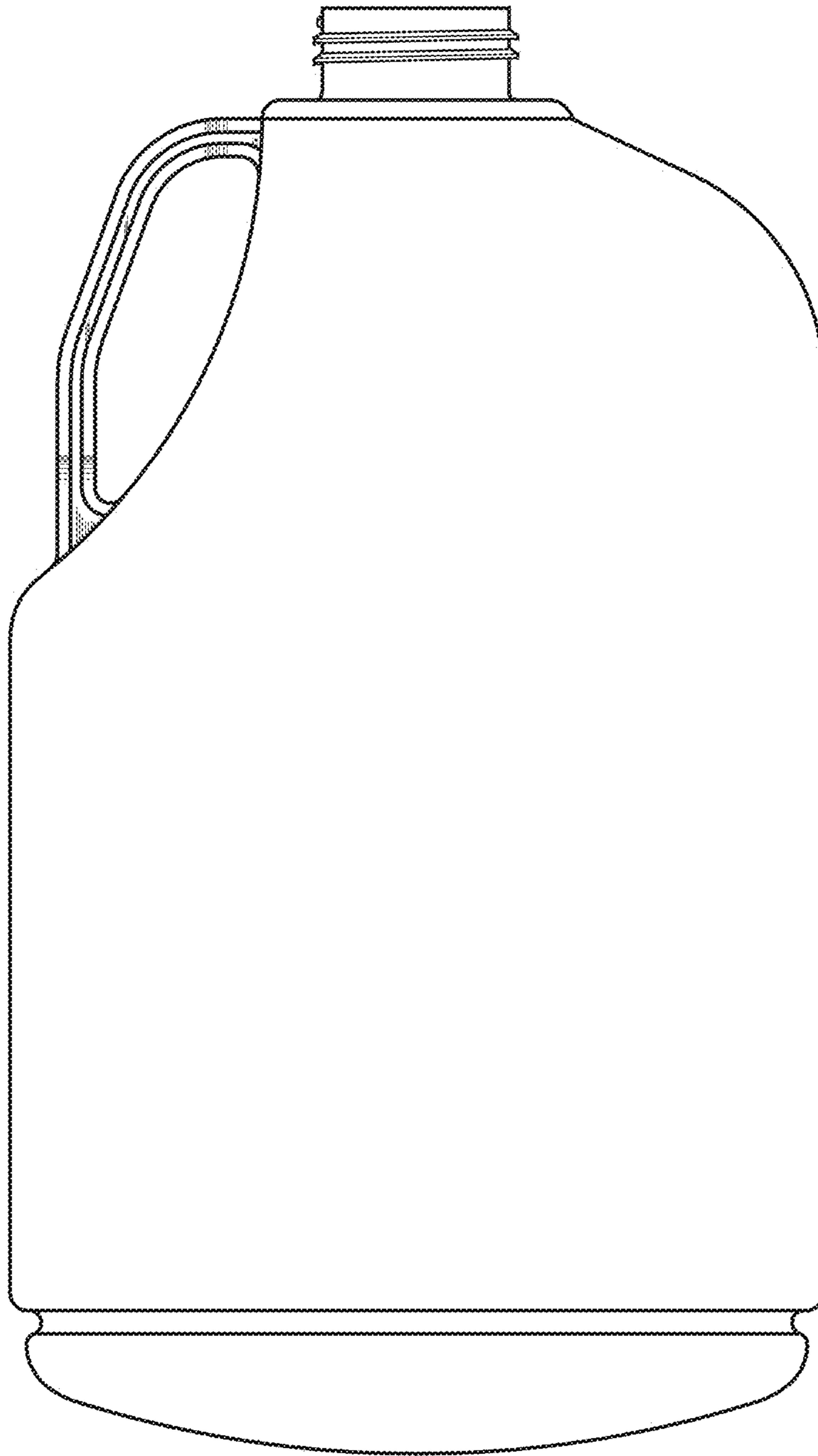


FIG. 3

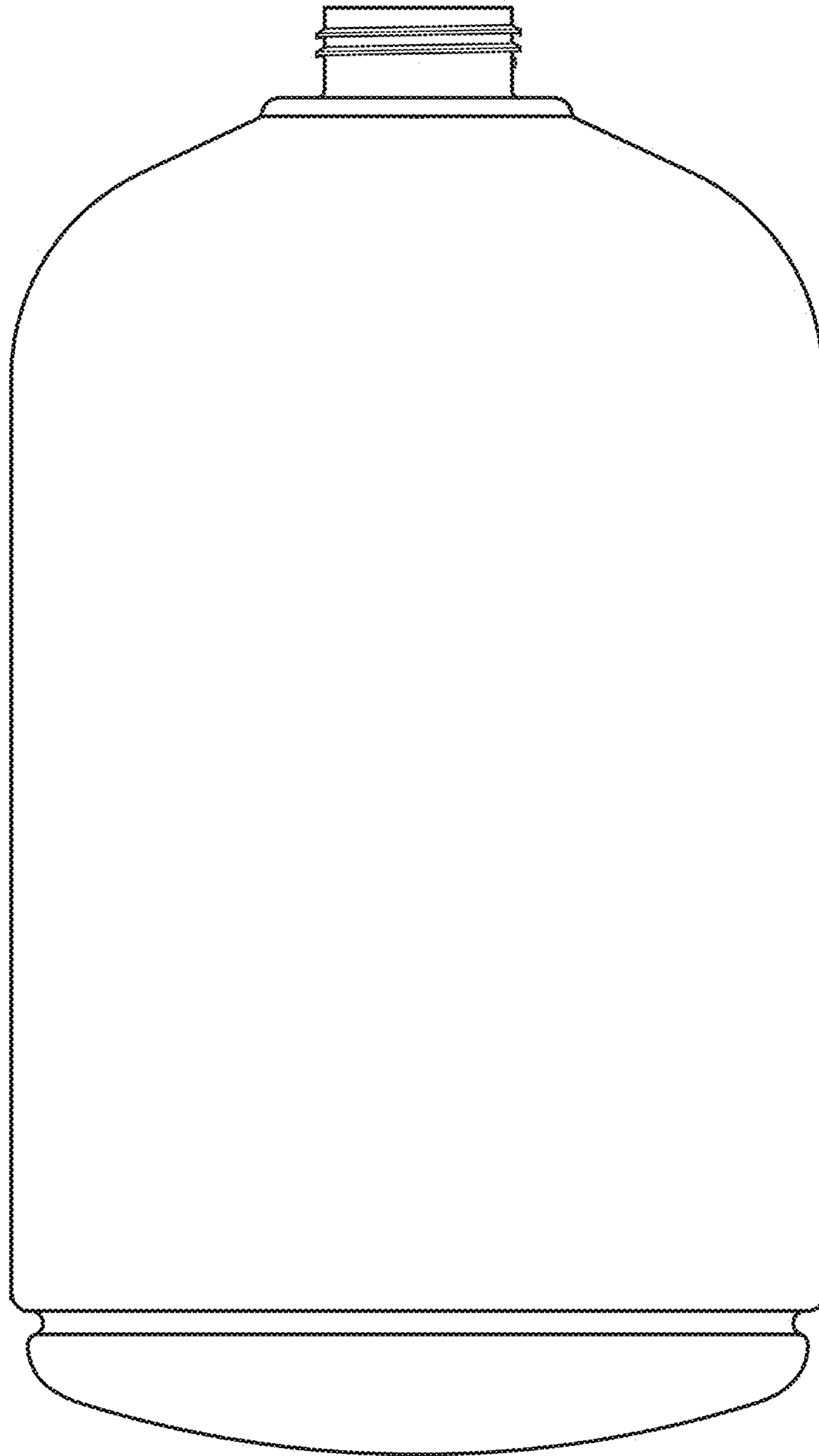


FIG. 4

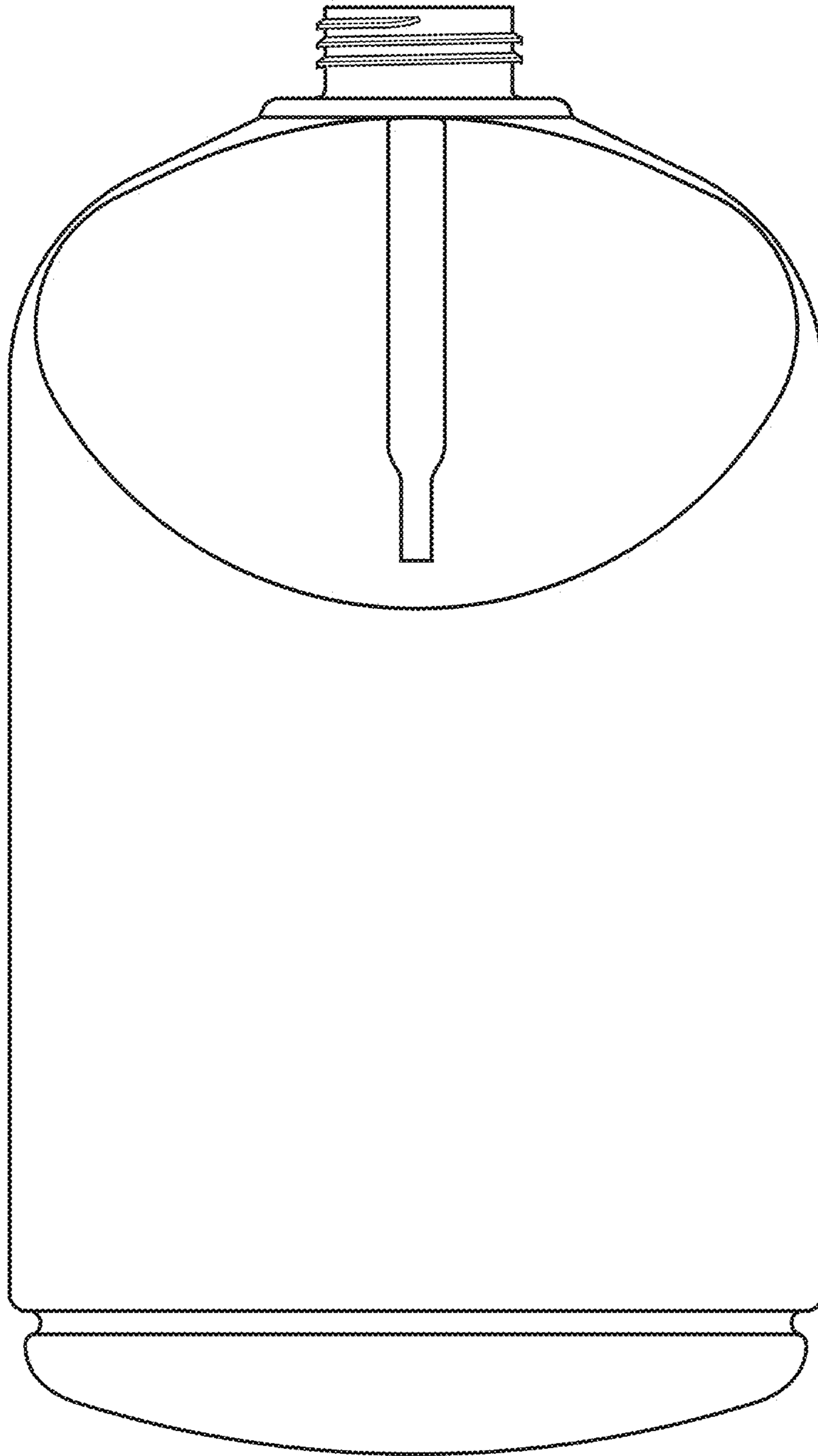


FIG. 5

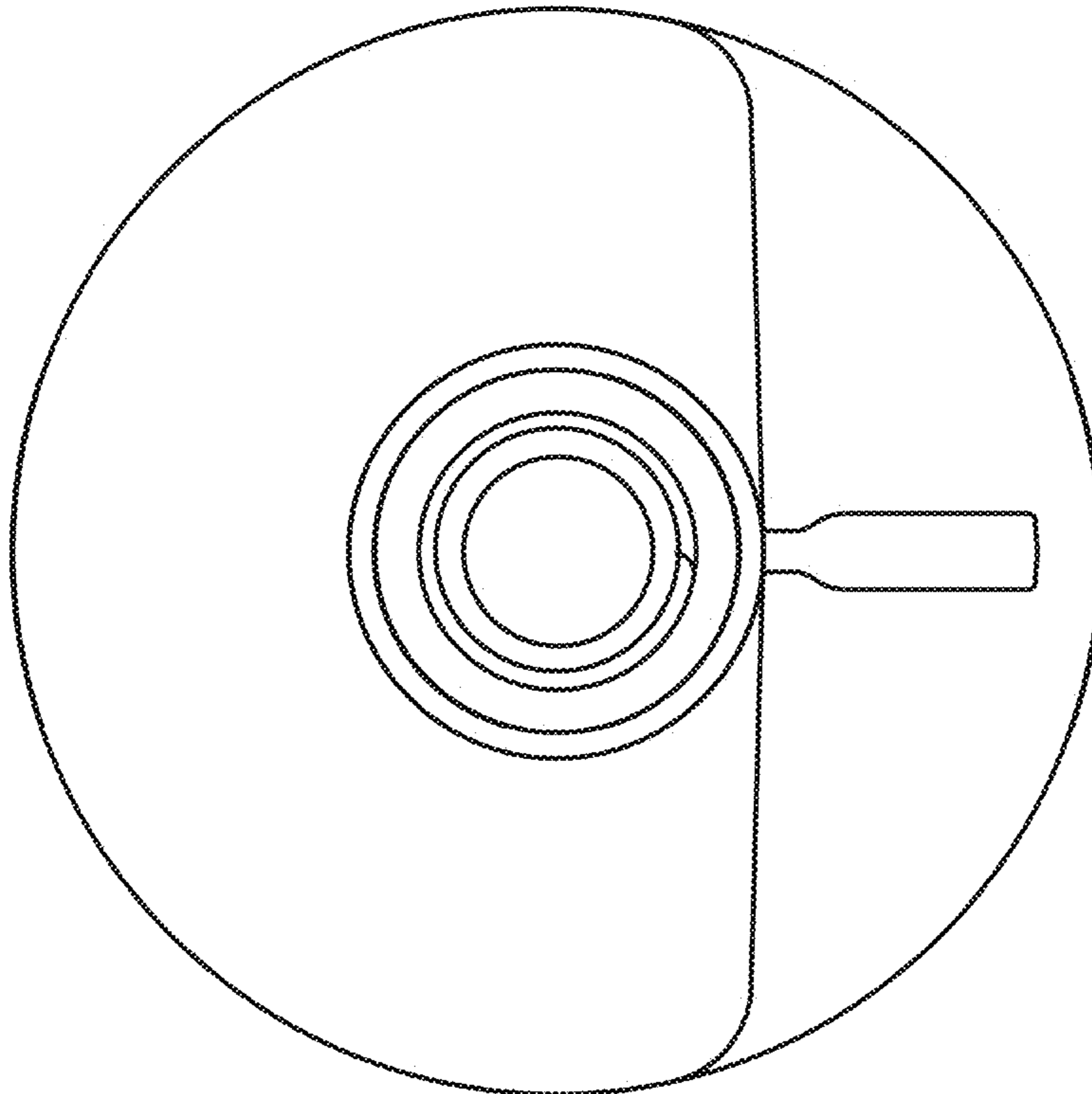


FIG. 6

