



US00D915205S

(12) **United States Design Patent** (10) **Patent No.:** **US D915,205 S**  
**Castellanos et al.** (45) **Date of Patent:** **\*\* Apr. 6, 2021**

(54) **CONTAINER**

(71) Applicant: **Kush Bottles, Inc.**, Garden Grove, CA (US)

(72) Inventors: **Roberto Castellanos**, Garden Grove, CA (US); **Diana Malone**, Garden Grove, CA (US)

(73) Assignee: **Kush Bottles, Inc.**, Garden Grove, CA (US)

(\*\*) Term: **15 Years**

(21) Appl. No.: **29/660,938**

(22) Filed: **Aug. 23, 2018**

(51) **LOC (13) Cl.** ..... **09-01**

(52) **U.S. Cl.**  
USPC ..... **D9/504; D9/454**

(58) **Field of Classification Search**  
USPC ..... D9/414–415, 418, 434–435, 454, 500, D9/503–504, 516, 520, 529, 549, 558,  
(Continued)

(56) **References Cited**

U.S. PATENT DOCUMENTS

D403,589 S \* 1/1999 Wong ..... D9/504  
D438,376 S \* 3/2001 Marshall ..... D3/257  
(Continued)

*Primary Examiner* — Dana Meyrow

(74) *Attorney, Agent, or Firm* — Ryan Dean; Umberg Zipster LLP

(57) **CLAIM**

We claim the ornamental design for a container, as shown and described.

**DESCRIPTION**

FIG. 1 is a front, perspective view of a first embodiment of the container.

FIG. 2 is a front elevation view of the first embodiment of the container.

FIG. 3 is a right side elevation view of the first embodiment of the container.

FIG. 4 is a left side elevation view of the first embodiment of the container.

FIG. 5 is a rear elevation view of the first embodiment of the container.

FIG. 6 is a top plan view of the first embodiment of the container.

FIG. 7 is a front, perspective view of a second embodiment of the container.

FIG. 8 is a front elevation view of the second embodiment of the container.

FIG. 9 is a right side elevation view of the second embodiment of the container.

FIG. 10 is a left side elevation view of the second embodiment of the container.

FIG. 11 is a rear elevation view of the second embodiment of the container.

FIG. 12 is a top plan view of the second embodiment of the container.

FIG. 13 is a front, perspective view of a third embodiment of the container.

FIG. 14 is a front elevation view of the third embodiment of the container.

FIG. 15 is a right side elevation view of the third embodiment of the container.

FIG. 16 is a left side elevation view of the third embodiment of the container.

FIG. 17 is a rear elevation view of the third embodiment of the container.

FIG. 18 is a top plan view of the third embodiment of the container.

FIG. 19 is a front, perspective view of a fourth embodiment of the container.

FIG. 20 is a front elevation view of the fourth embodiment of the container.

FIG. 21 is a right side elevation view of the fourth embodiment of the container.

FIG. 22 is a left side elevation view of the fourth embodiment of the container.

FIG. 23 is a rear elevation view of the fourth embodiment of the container; and,

(Continued)

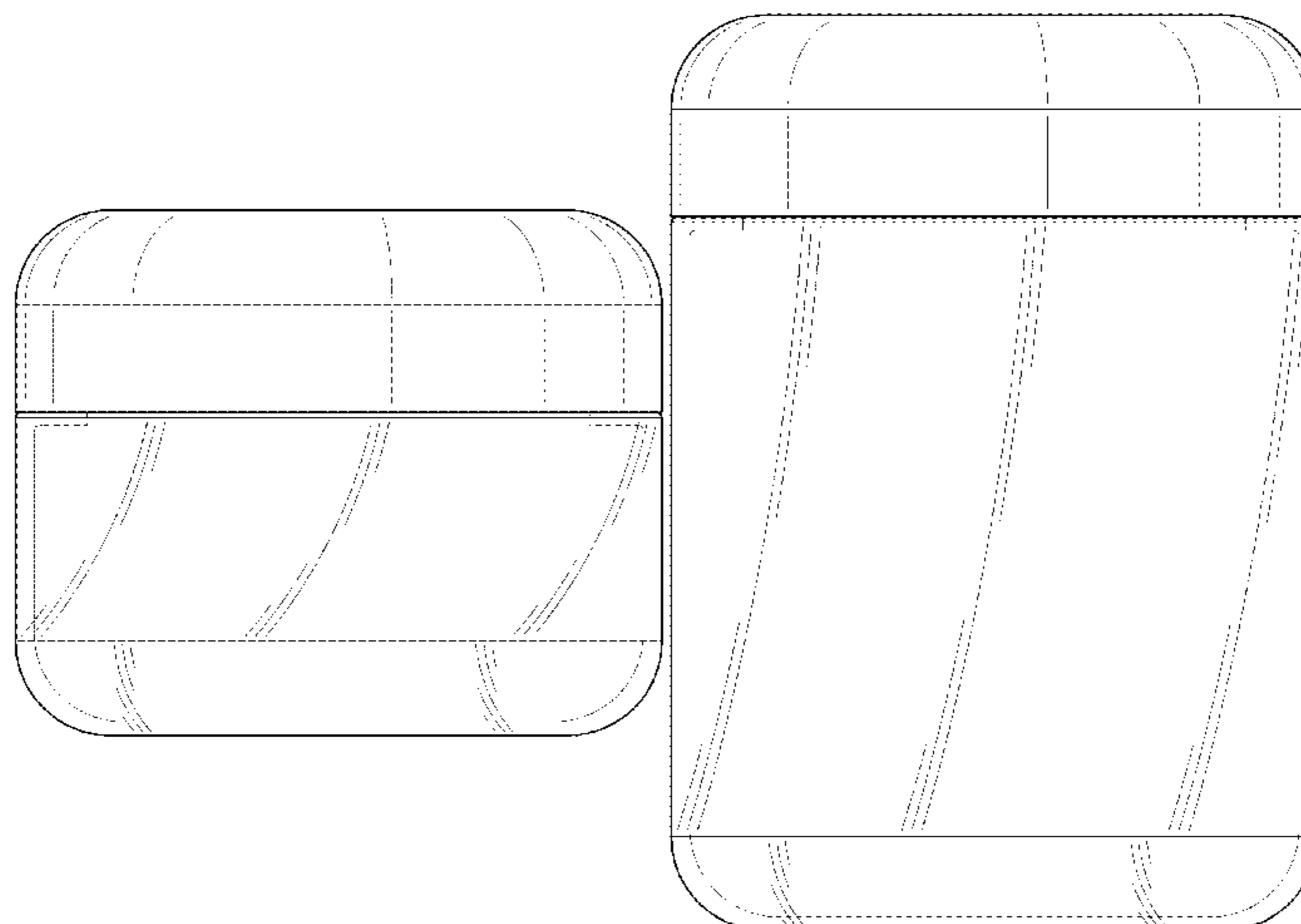


FIG. 24 is a top plan view of the fourth embodiment of the container.

**1 Claim, 24 Drawing Sheets**

(58) **Field of Classification Search**

USPC ..... D9/715, 719; D3/202, 203.2; D27/190;  
D28/4, 8, 76-77, 91  
CPC ..... B65D 1/00; B65D 1/02; B65D 1/0223;  
B65D 23/00; B65D 51/32; B65D  
2501/00; B65D 2501/0009

See application file for complete search history.

(56) **References Cited**

U.S. PATENT DOCUMENTS

D491,800	S	*	6/2004	Palomino, Jr.	.....	D9/504
D612,240	S	*	3/2010	Cresswell	.....	D9/454
D645,749	S	*	9/2011	Lee	.....	D9/454
D666,061	S	*	8/2012	Ying	.....	D7/629
D683,221	S	*	5/2013	Graham	.....	D9/504
D736,087	S	*	8/2015	Birgers	.....	D9/418
D765,512	S	*	9/2016	Joulia	.....	D28/7
D847,645	S	*	5/2019	Lee	.....	D9/504
D909,207	S	*	2/2021	Blomberg	.....	D9/504
D909,877	S	*	2/2021	Hwang	.....	D9/549

\* cited by examiner

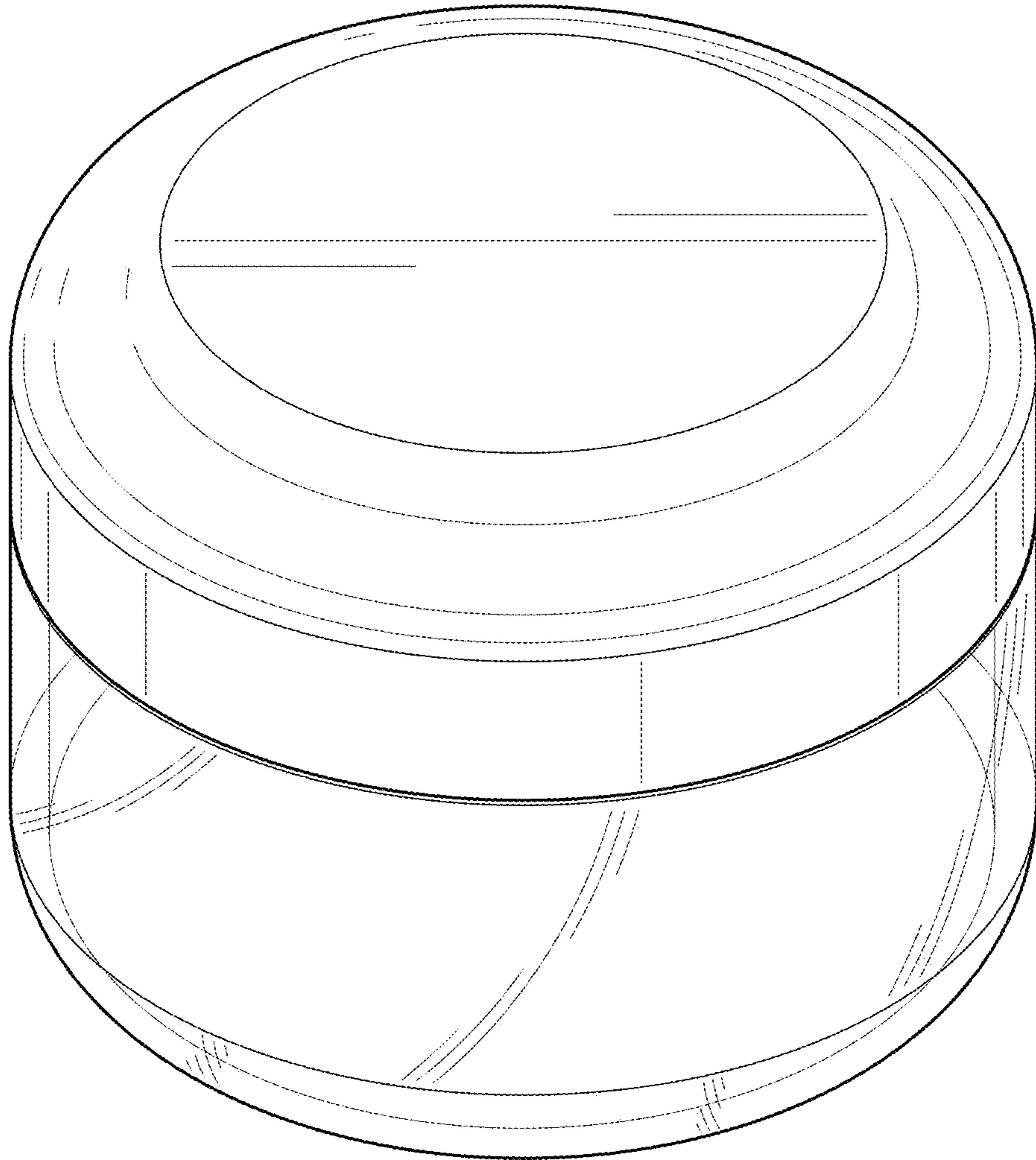


FIG. 1

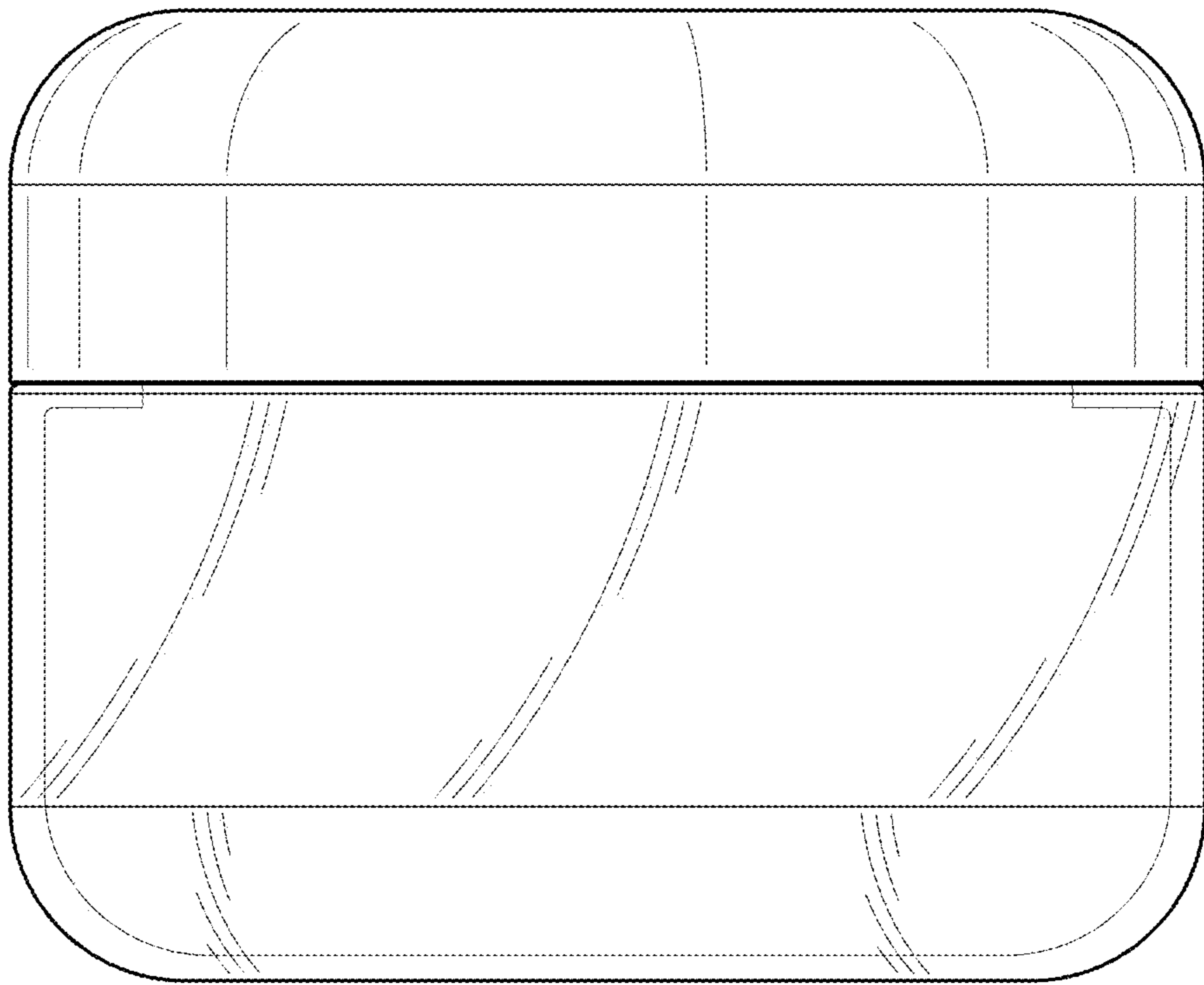


FIG. 2

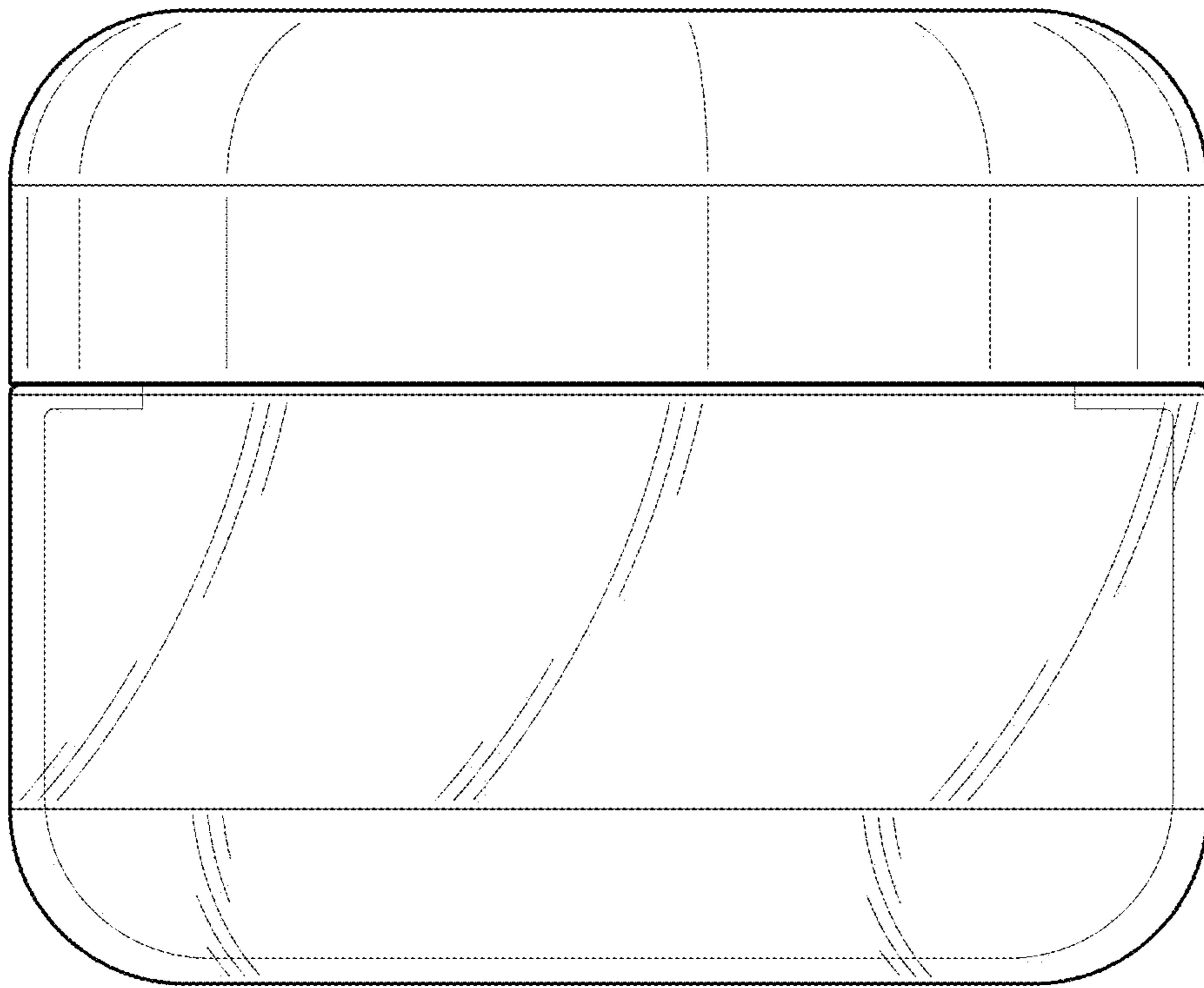


FIG. 3

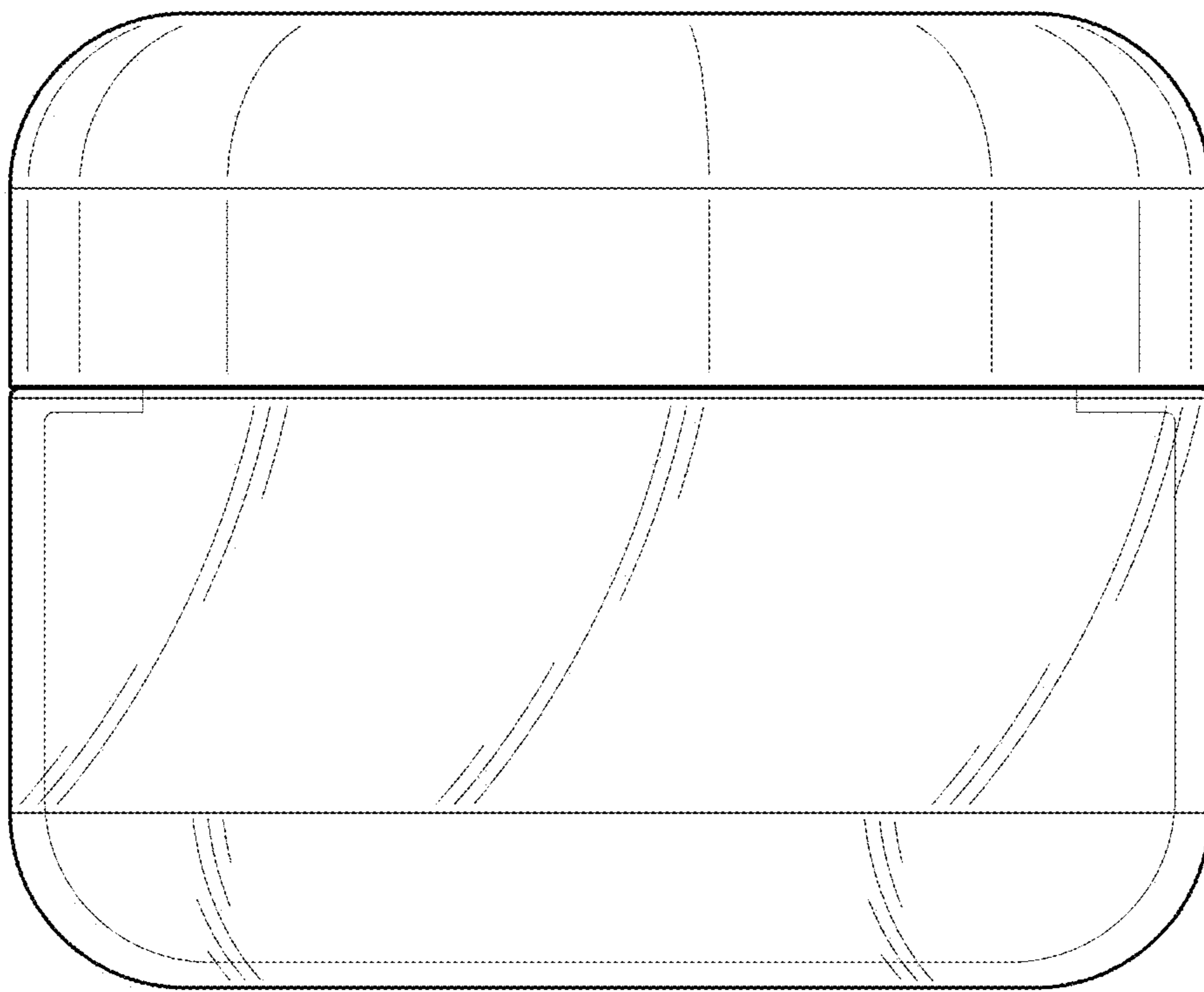


FIG. 4

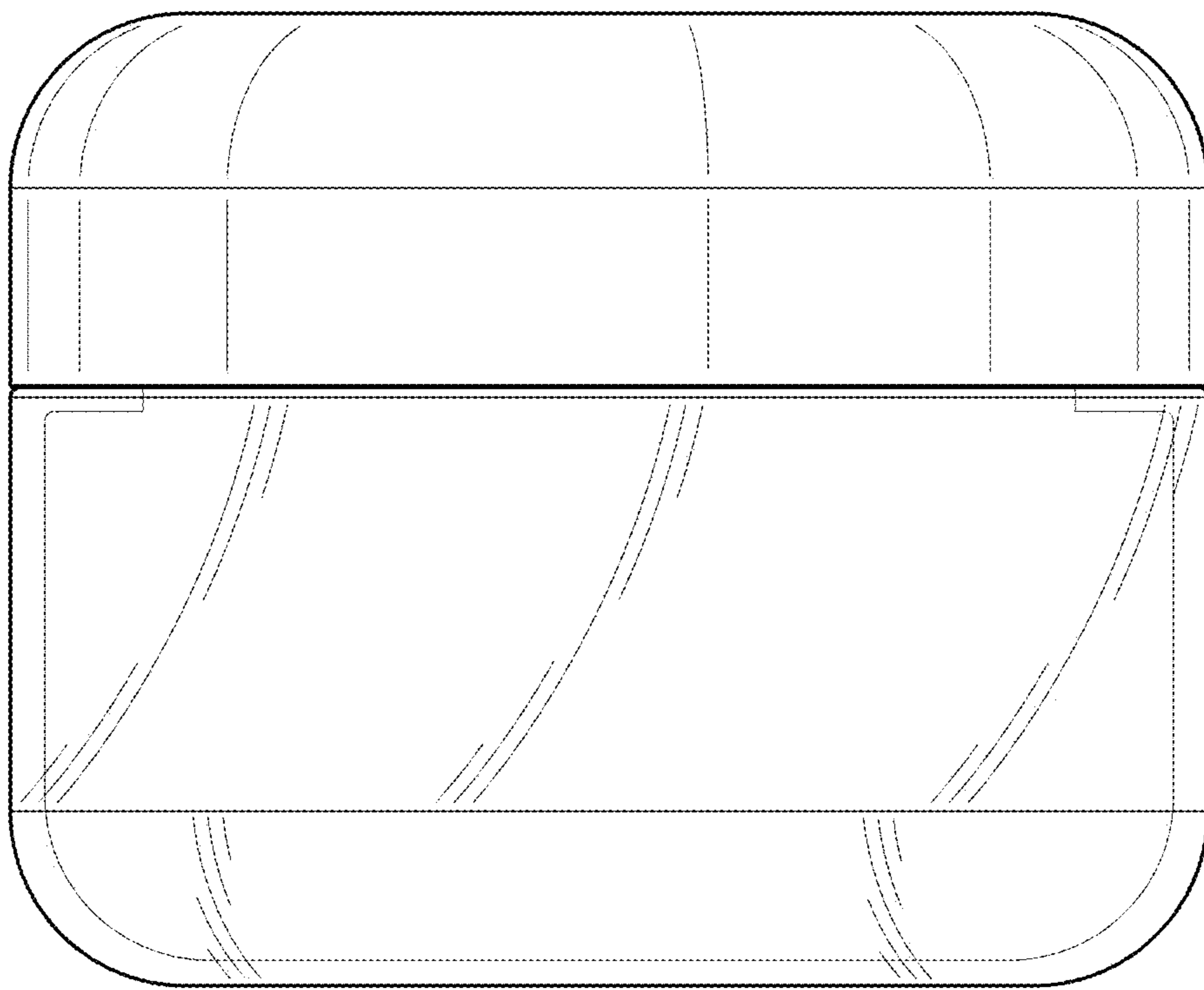


FIG. 5

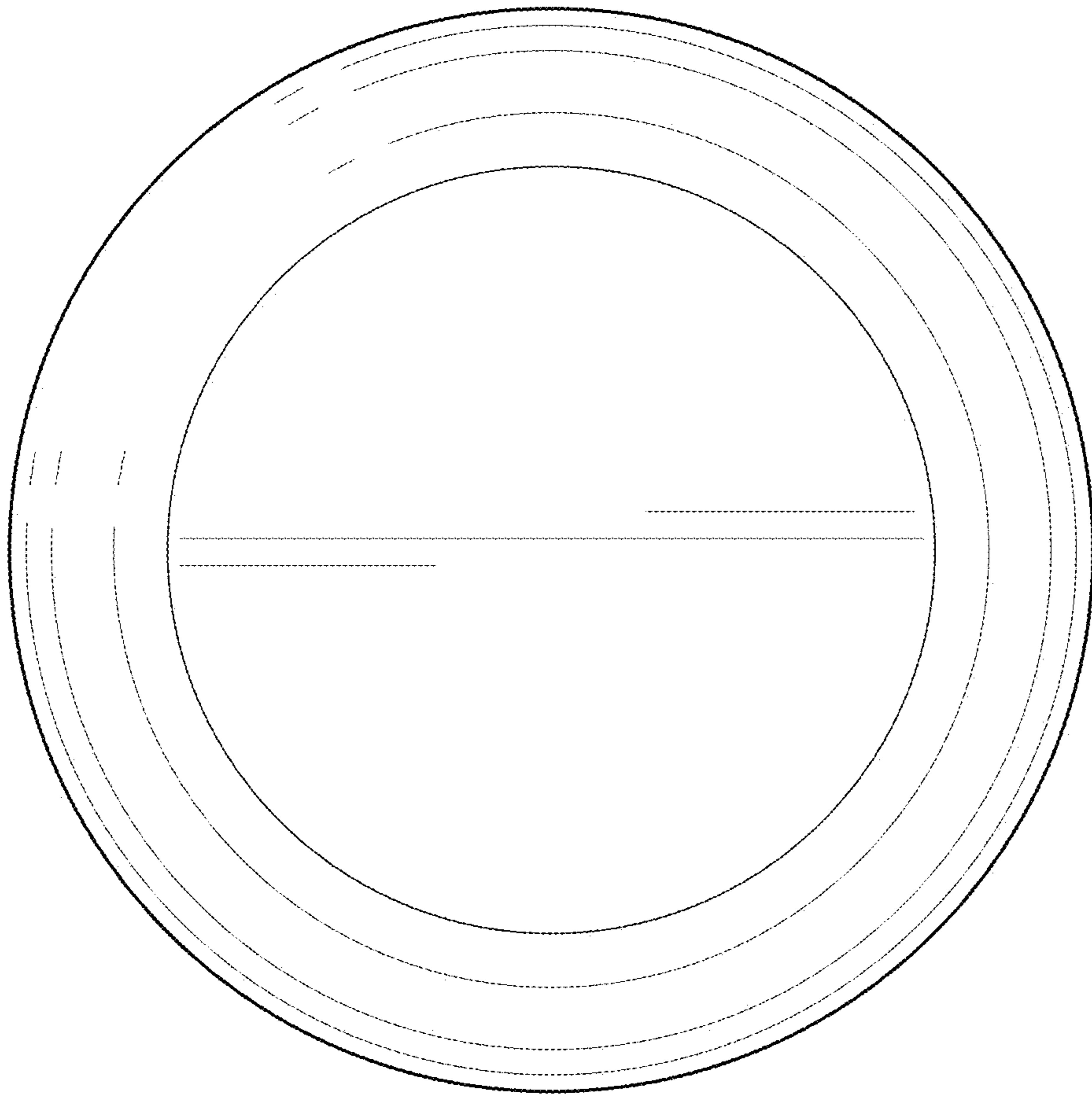


FIG. 6



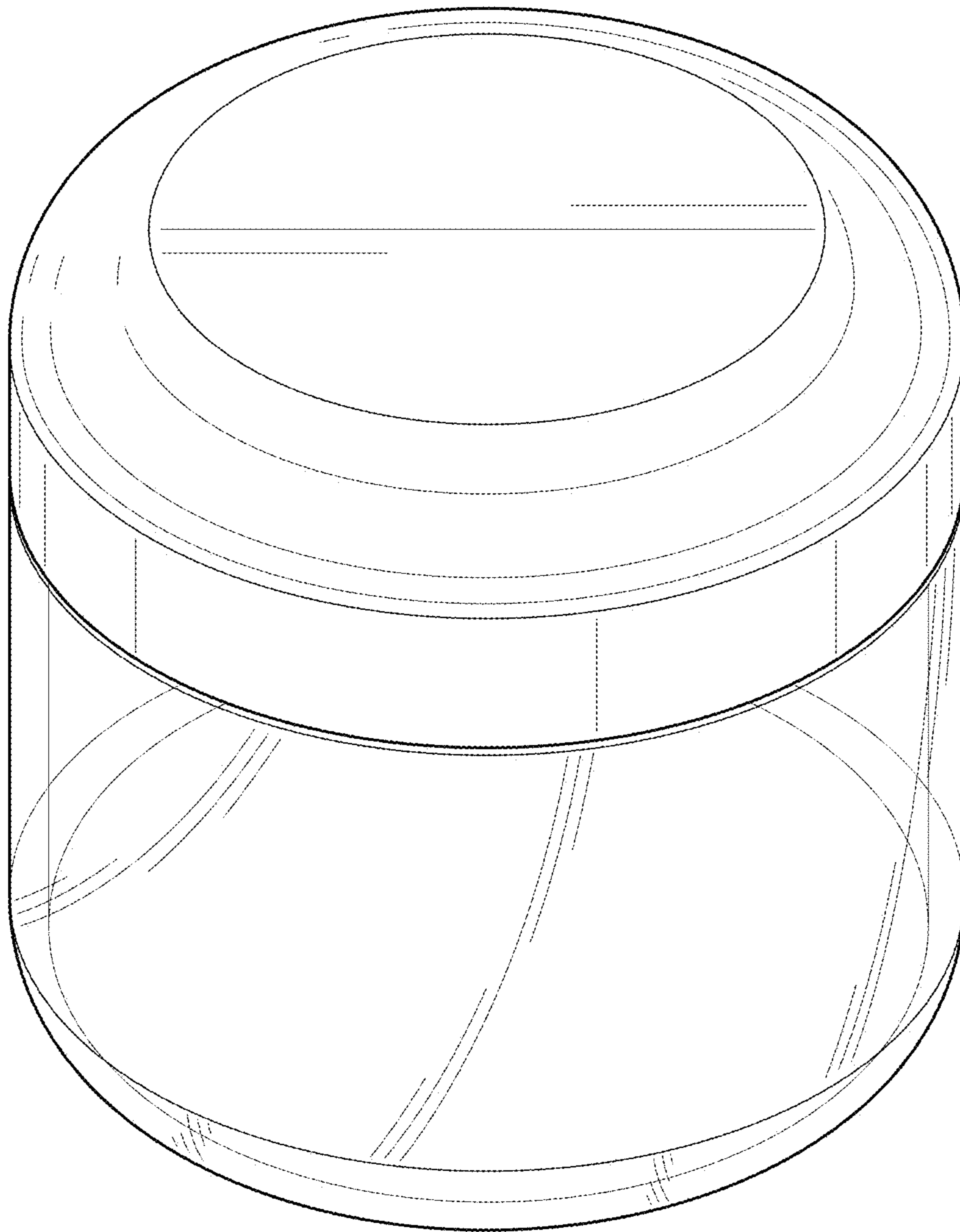


FIG. 7

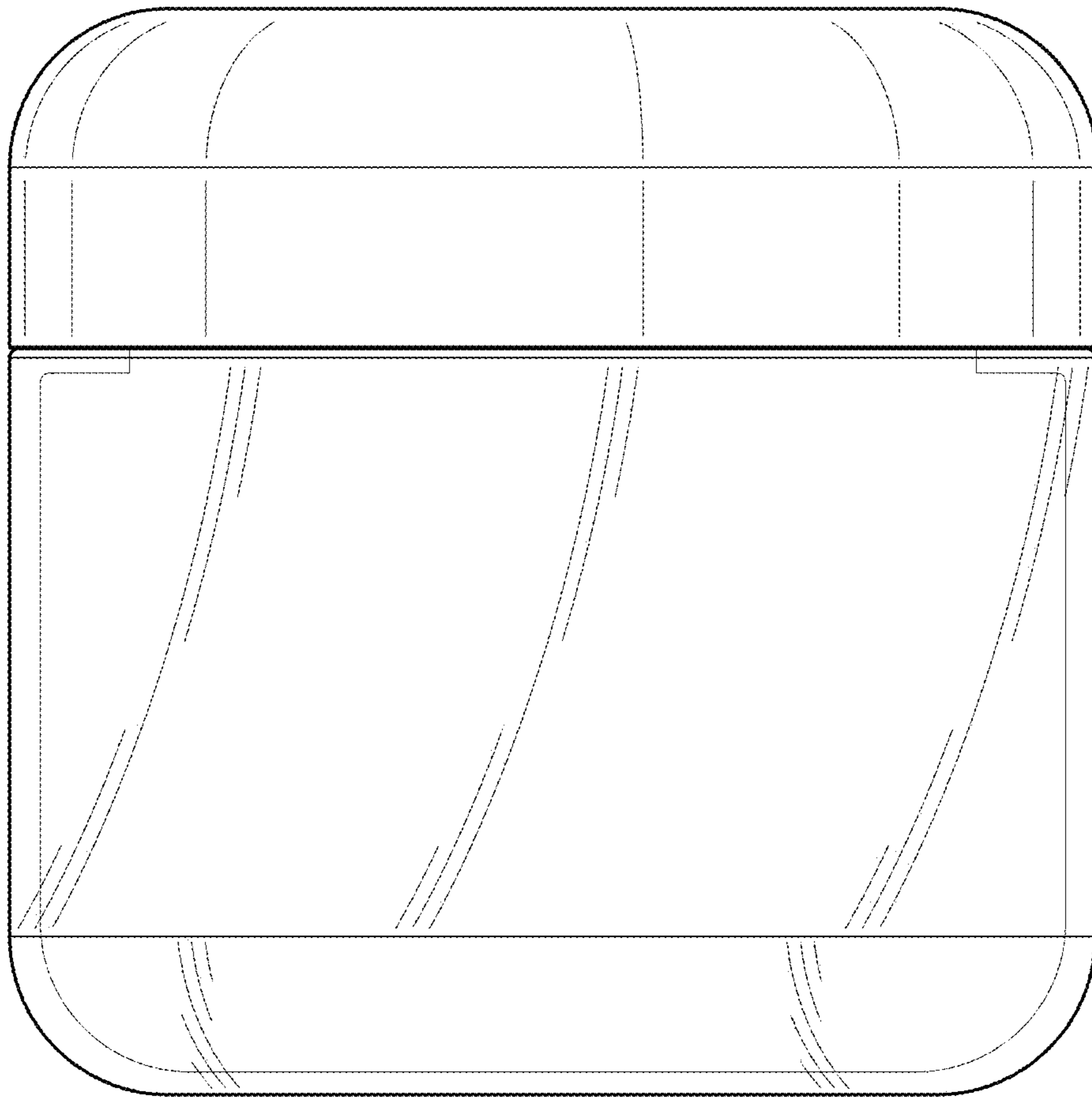


FIG. 8

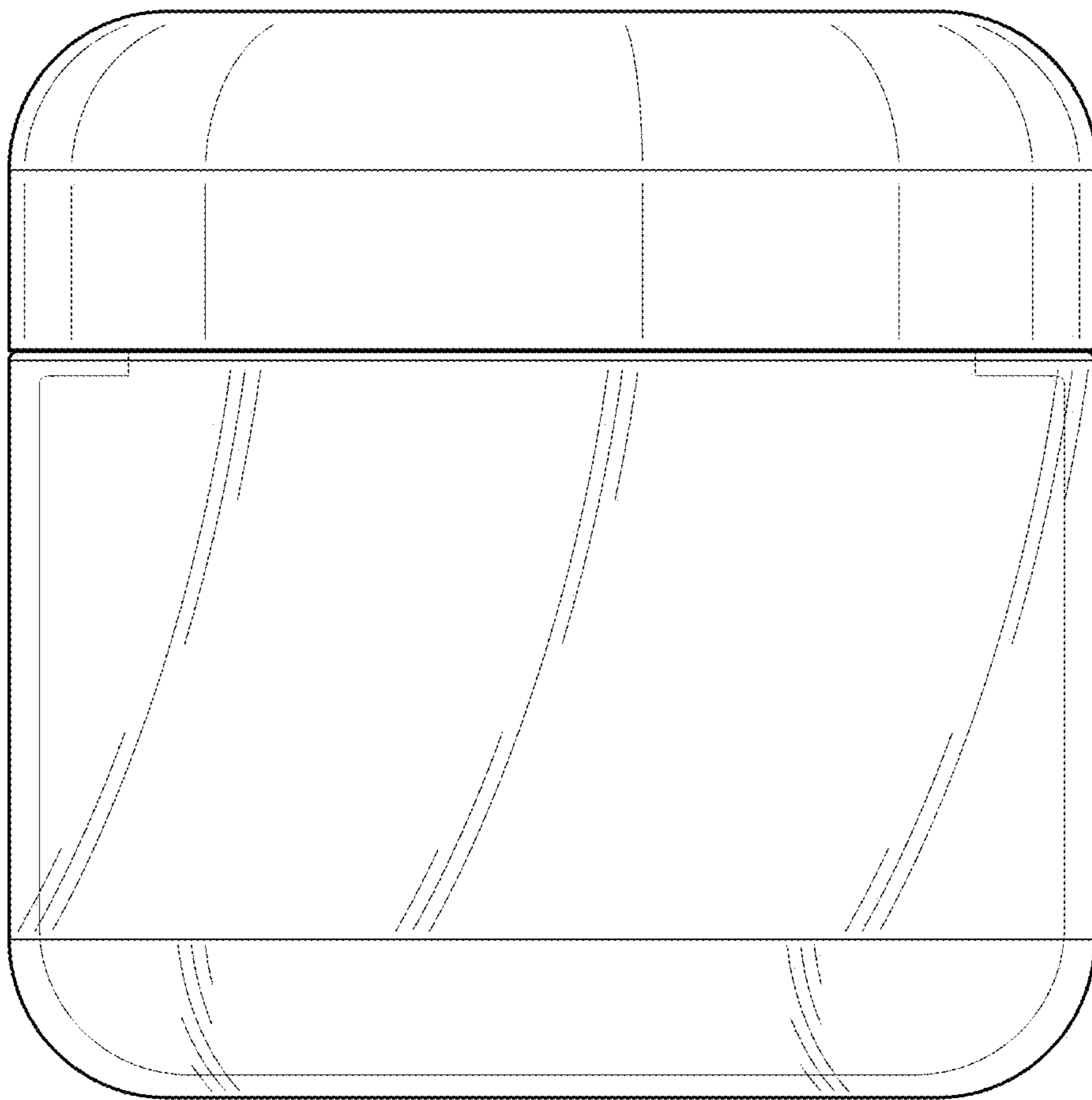


FIG. 9

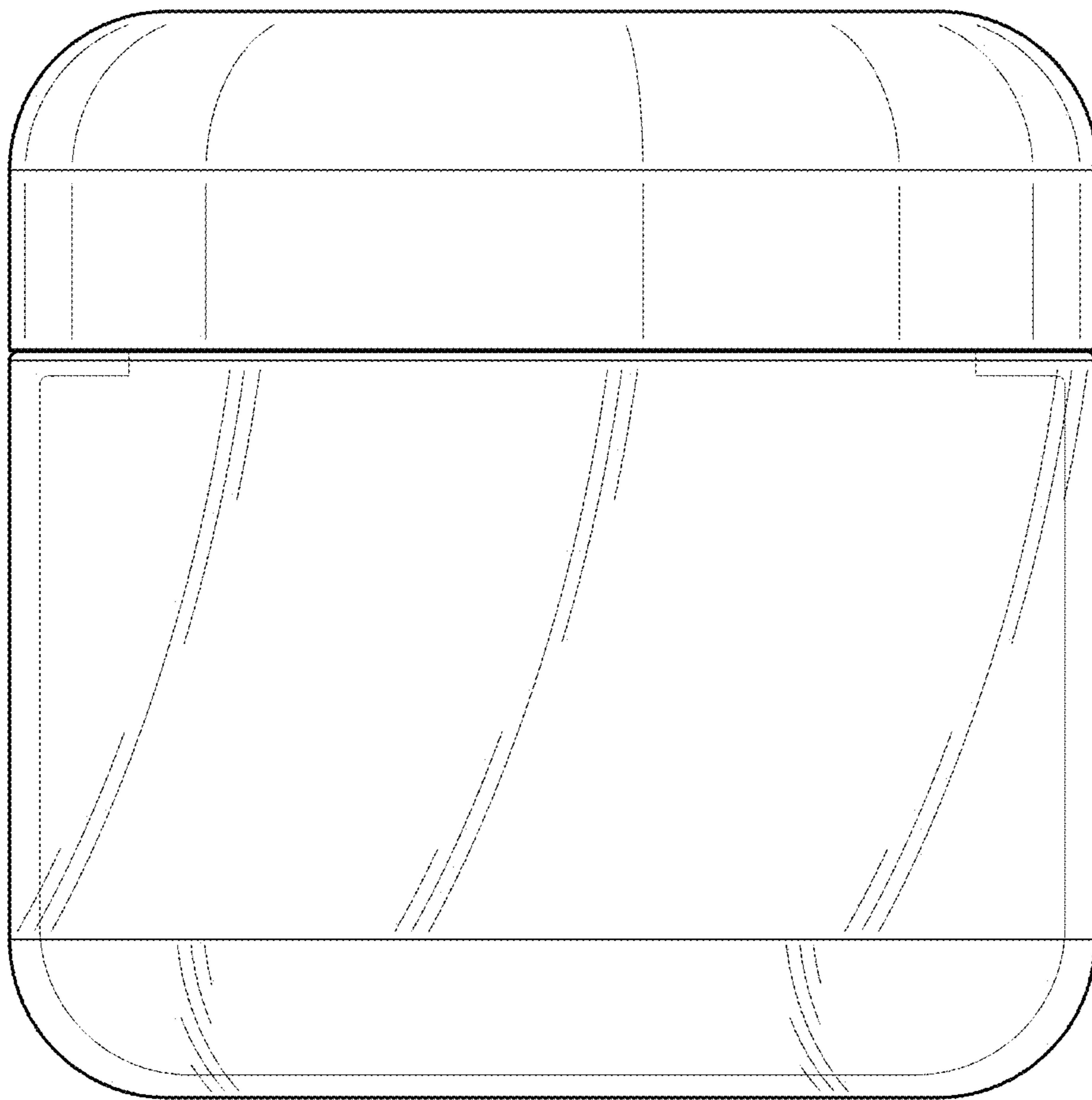


FIG. 10

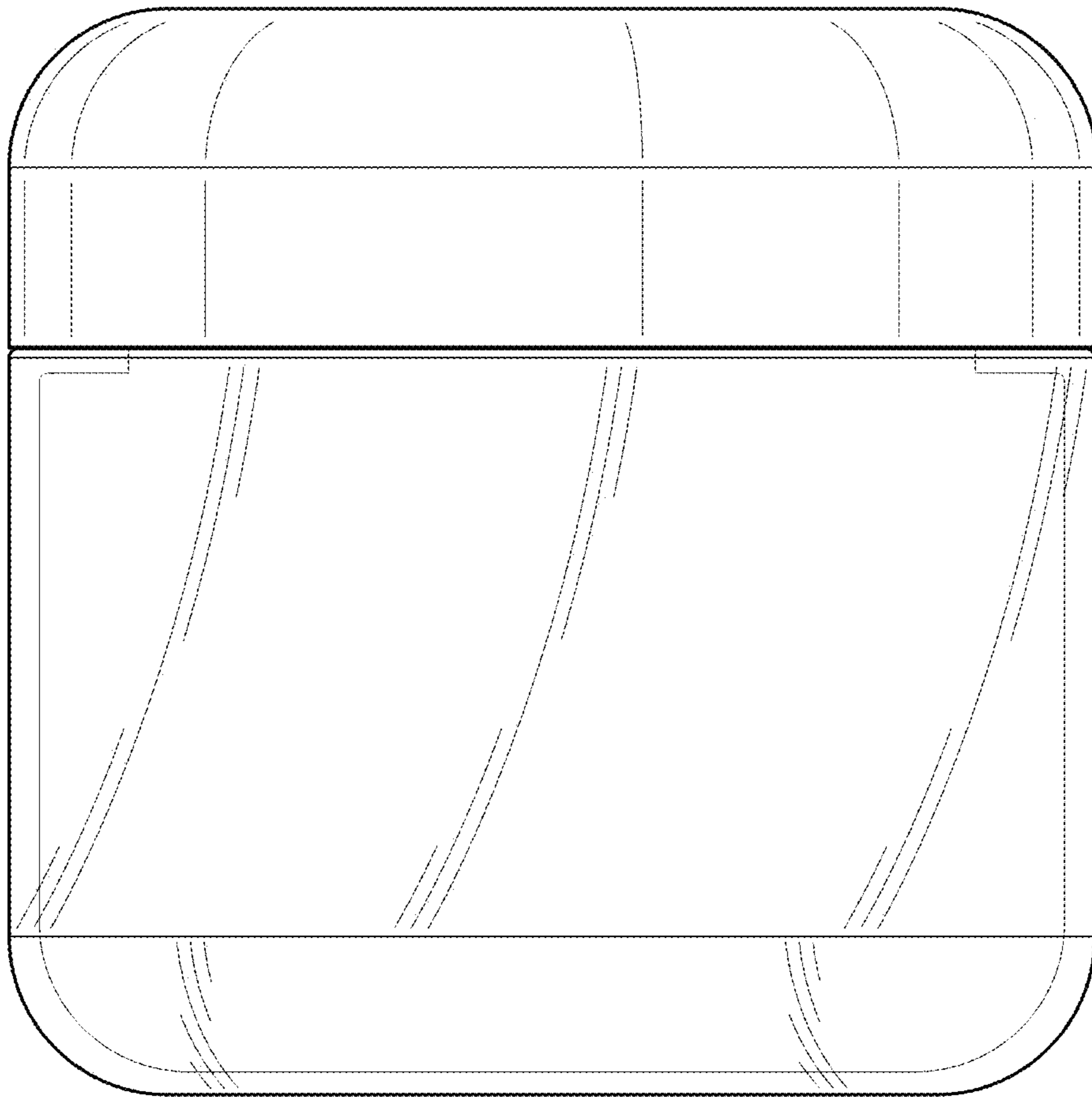


FIG. 11

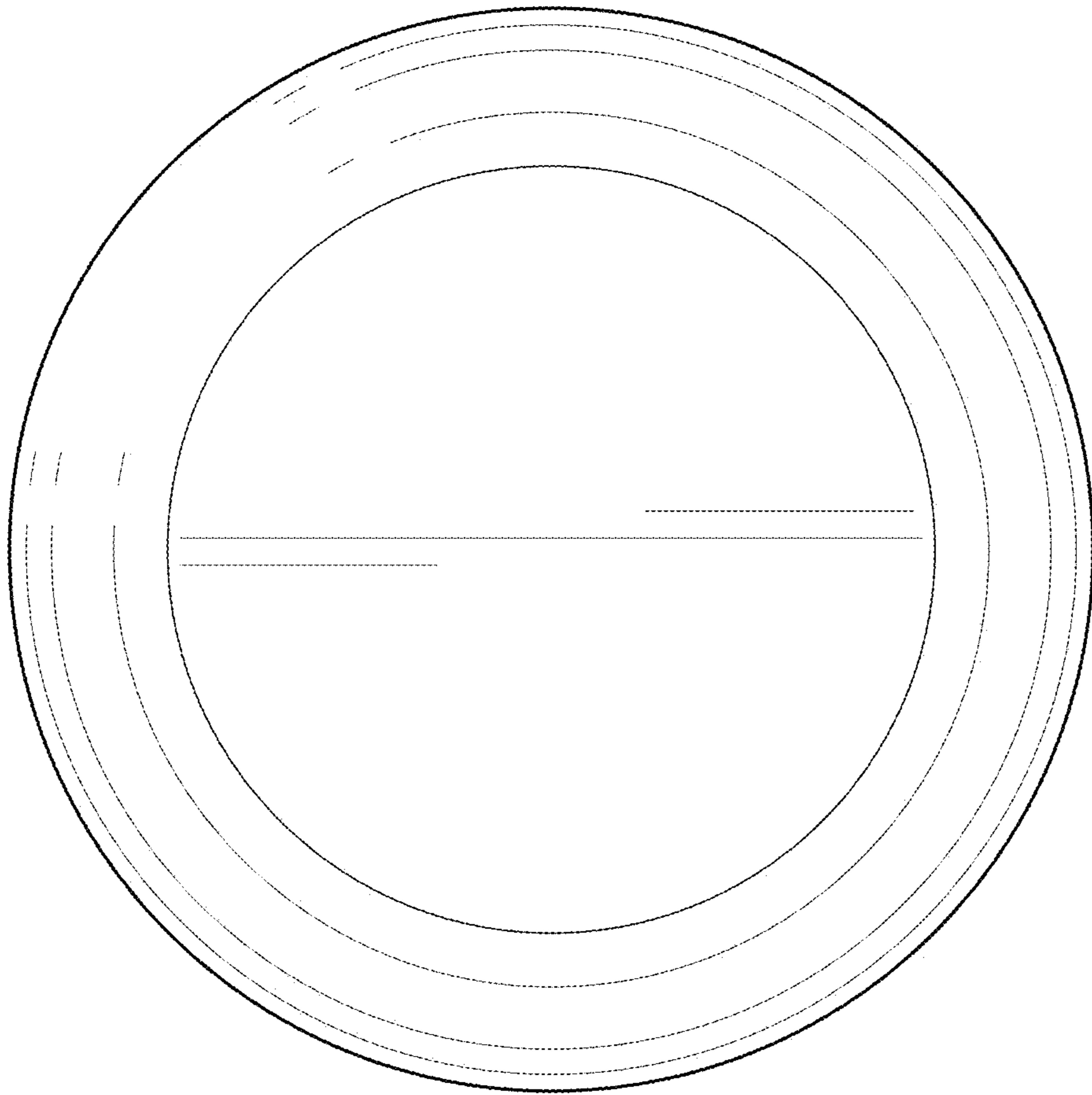


FIG. 12

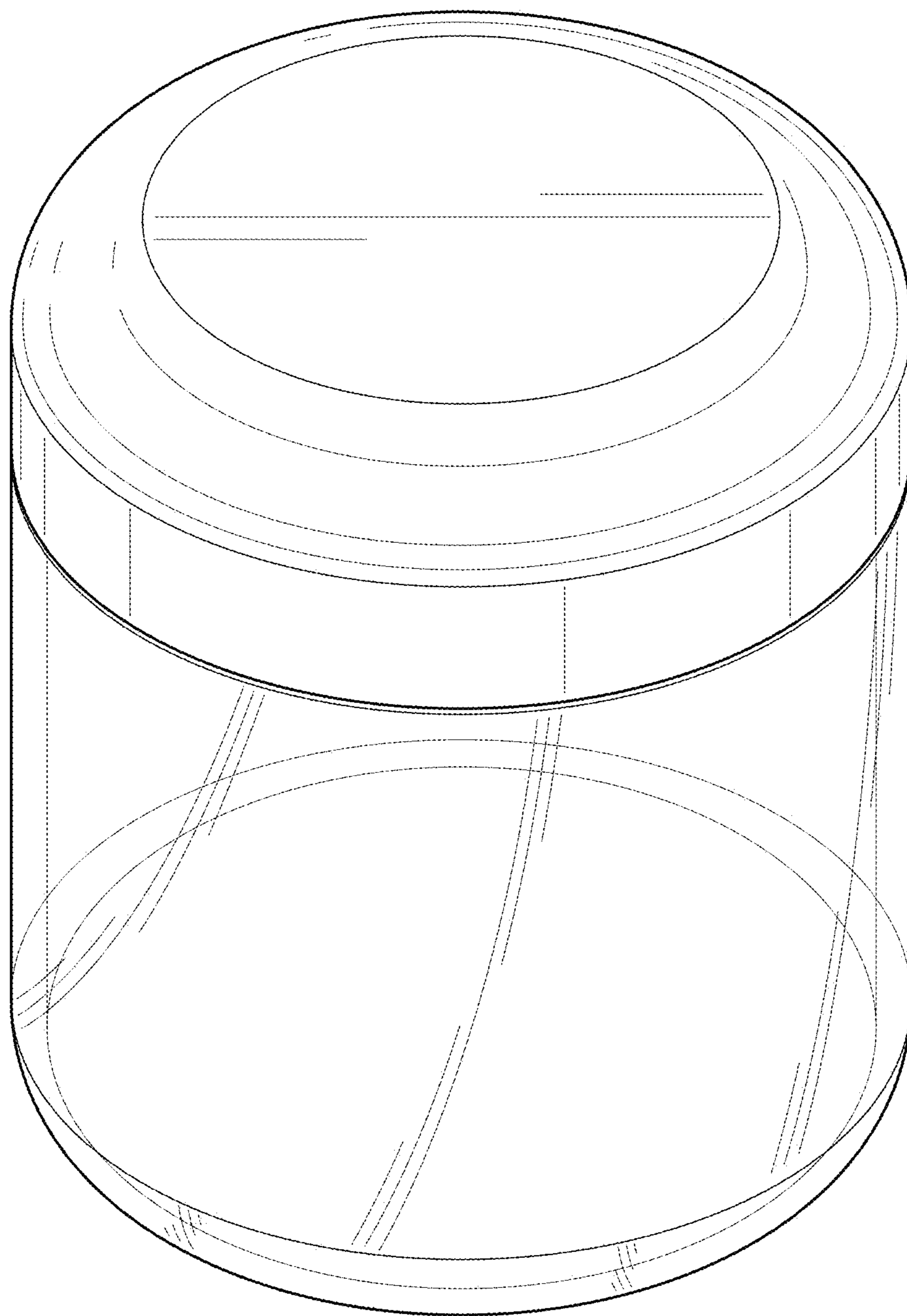


FIG. 13

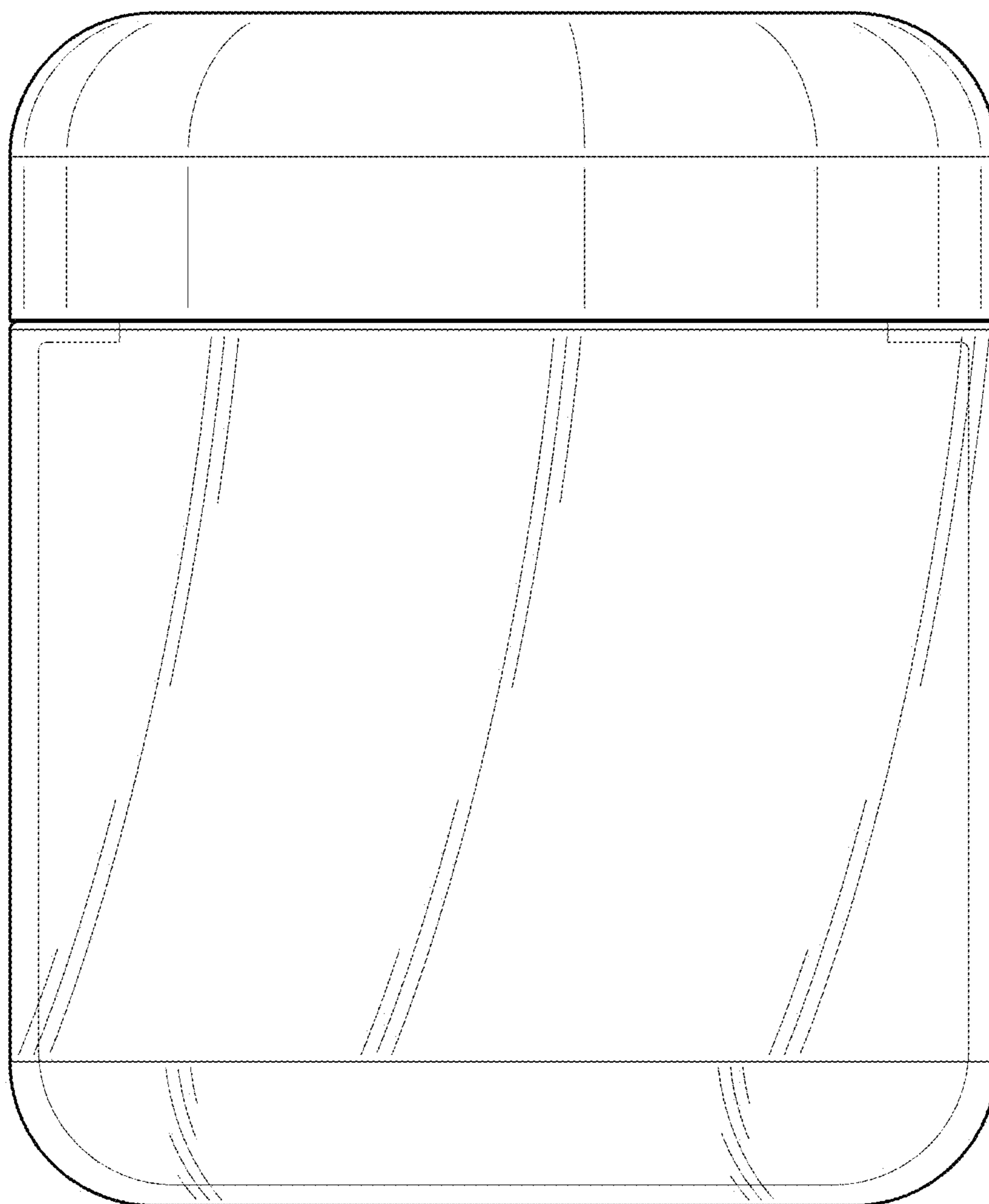


FIG. 14



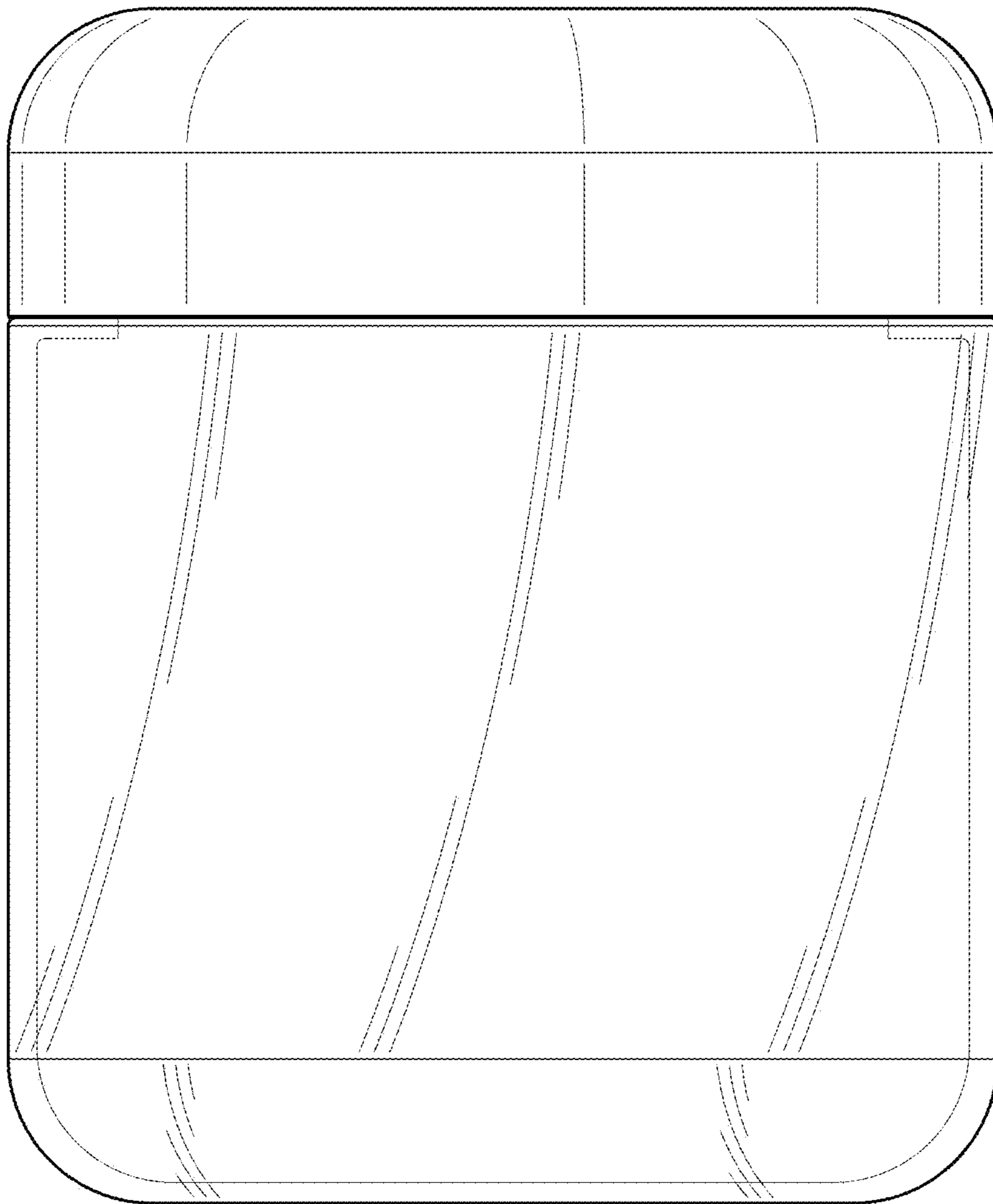


FIG. 15

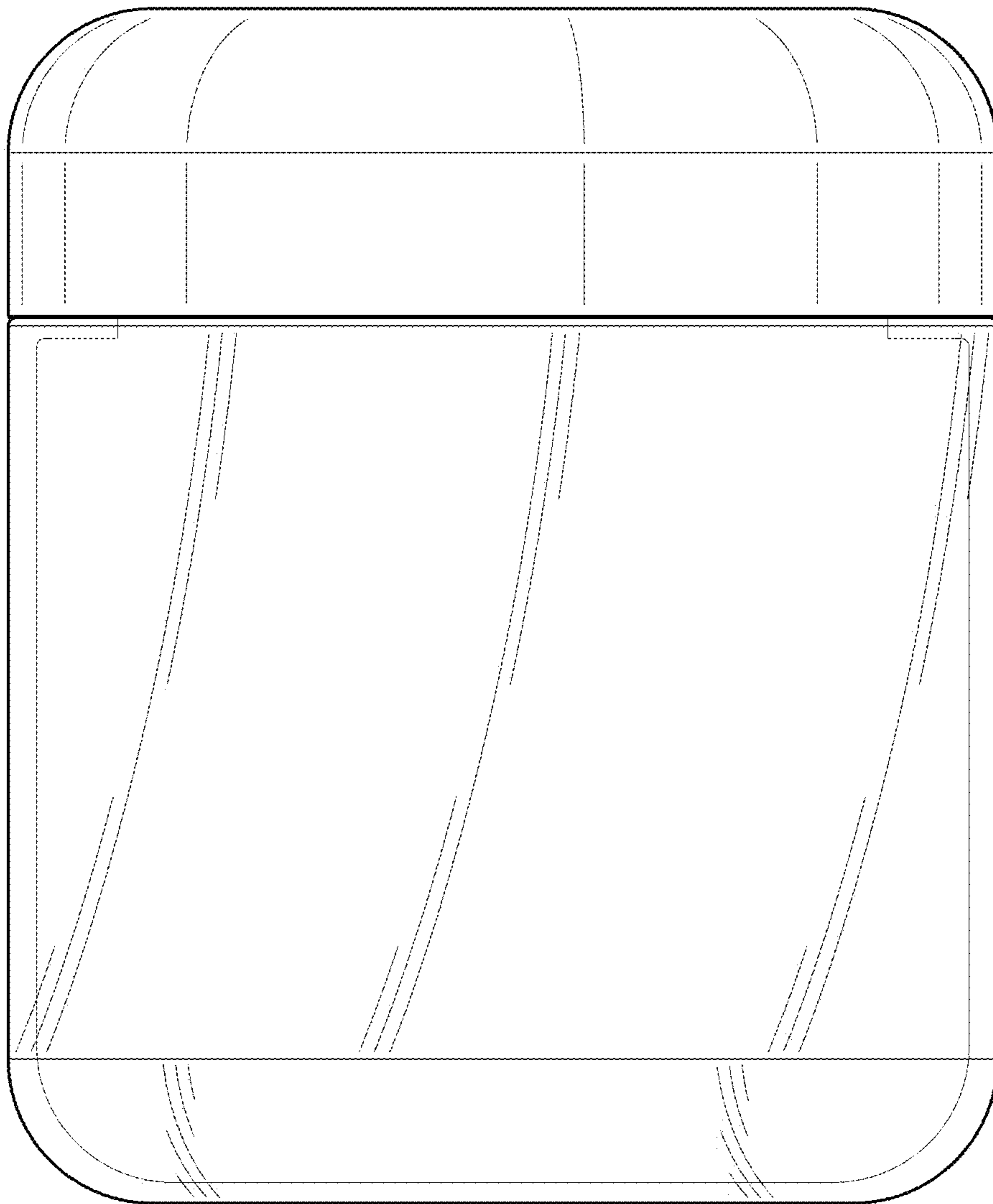


FIG. 16

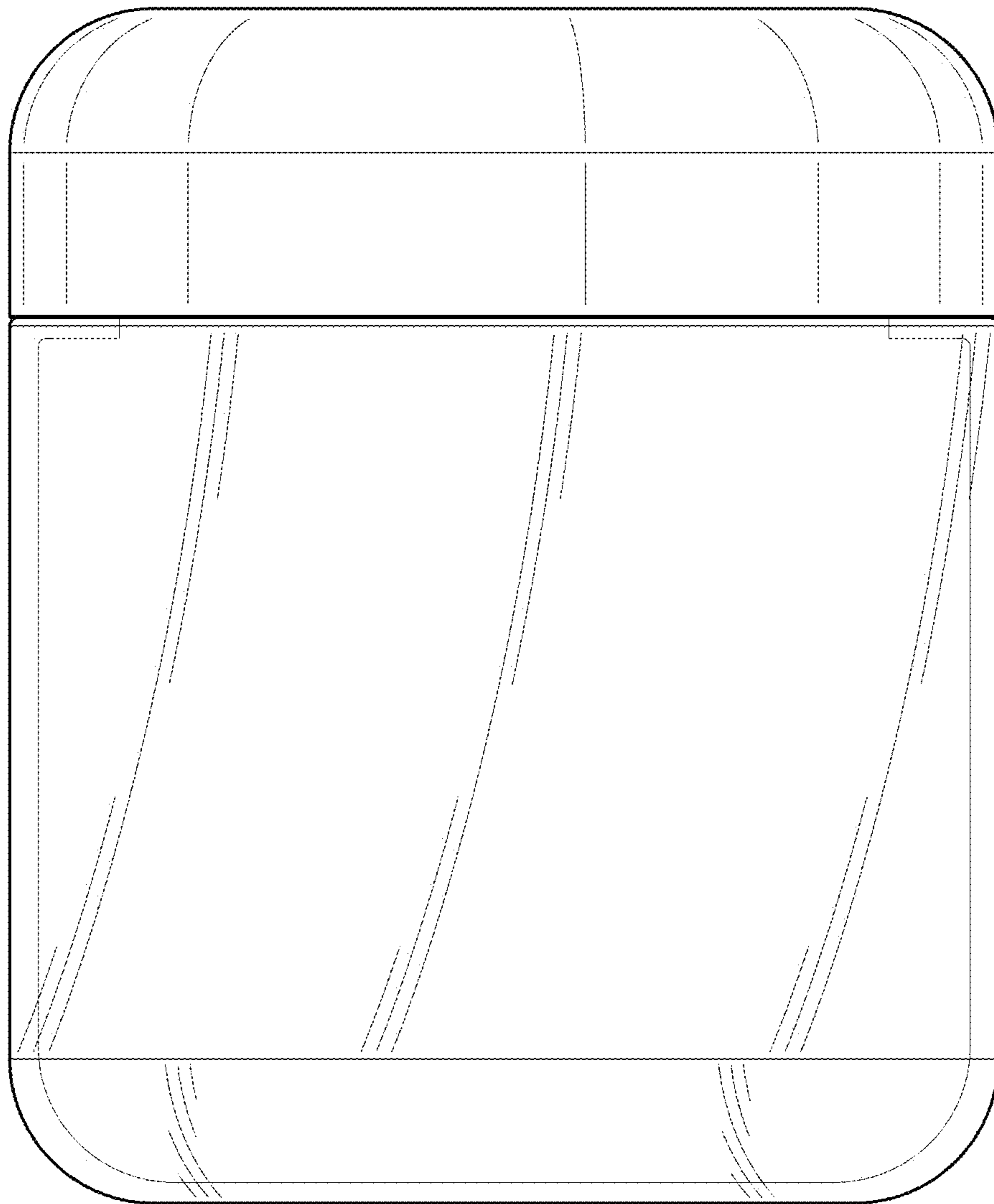


FIG. 17

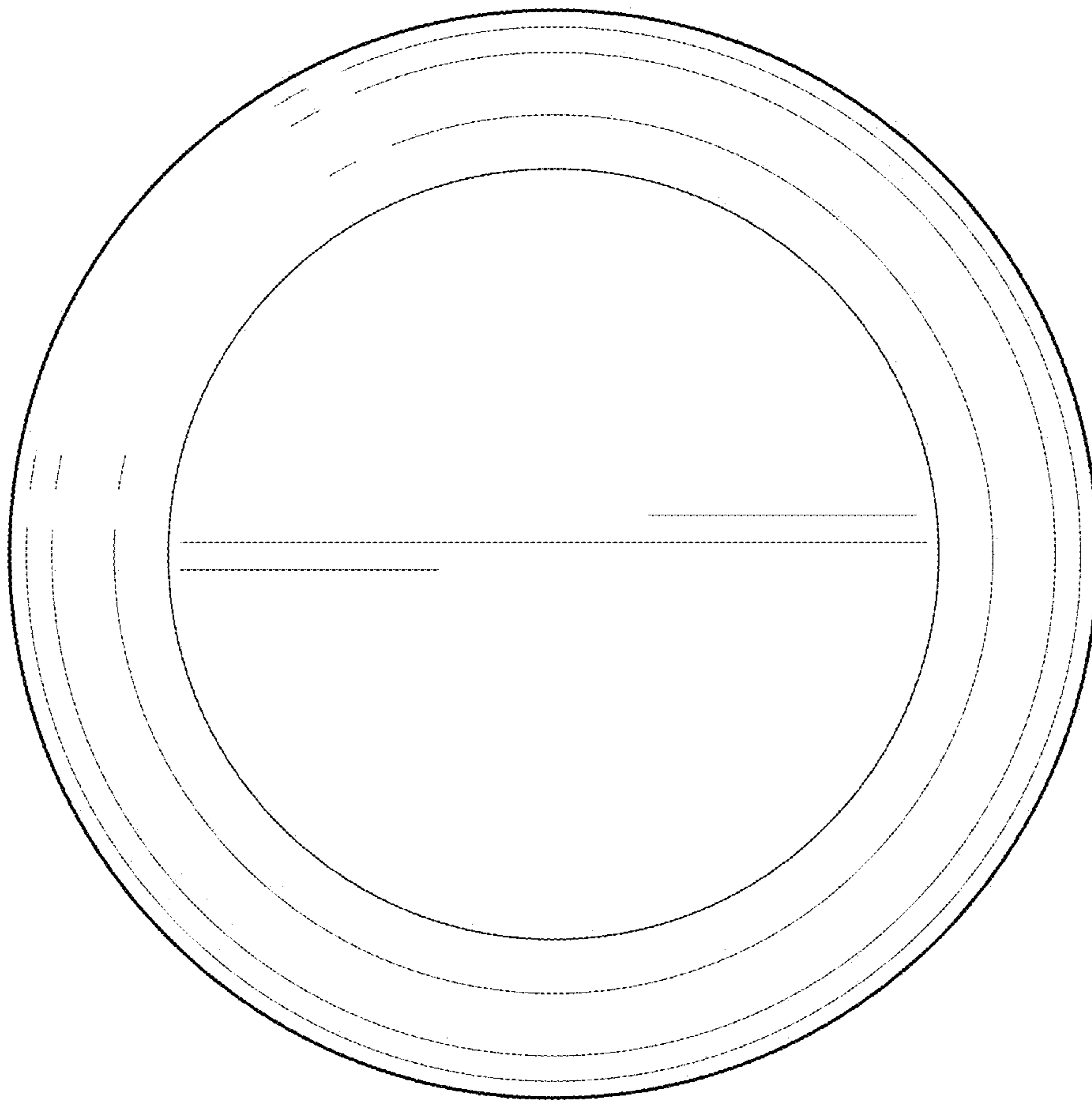


FIG. 18

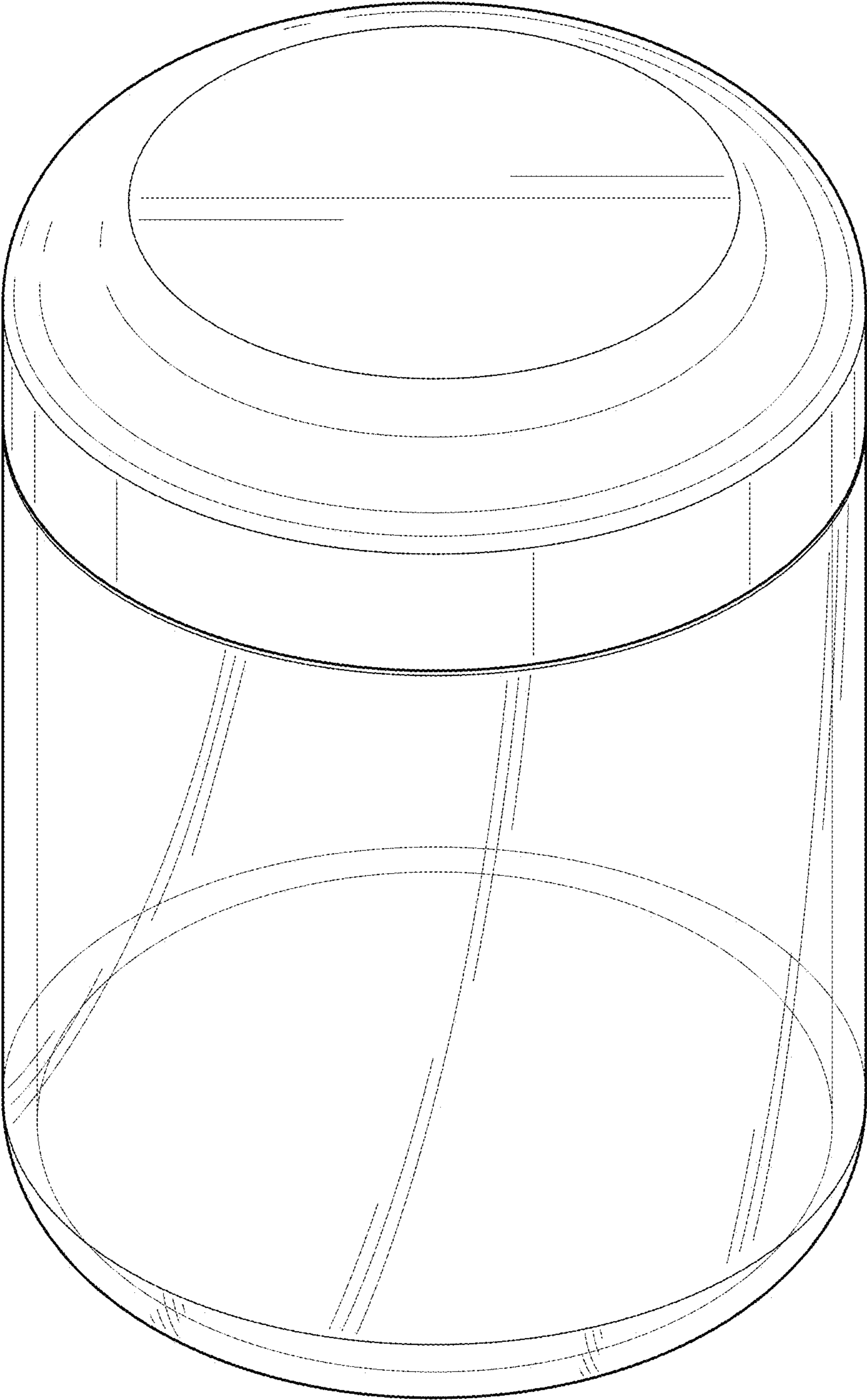


FIG. 19

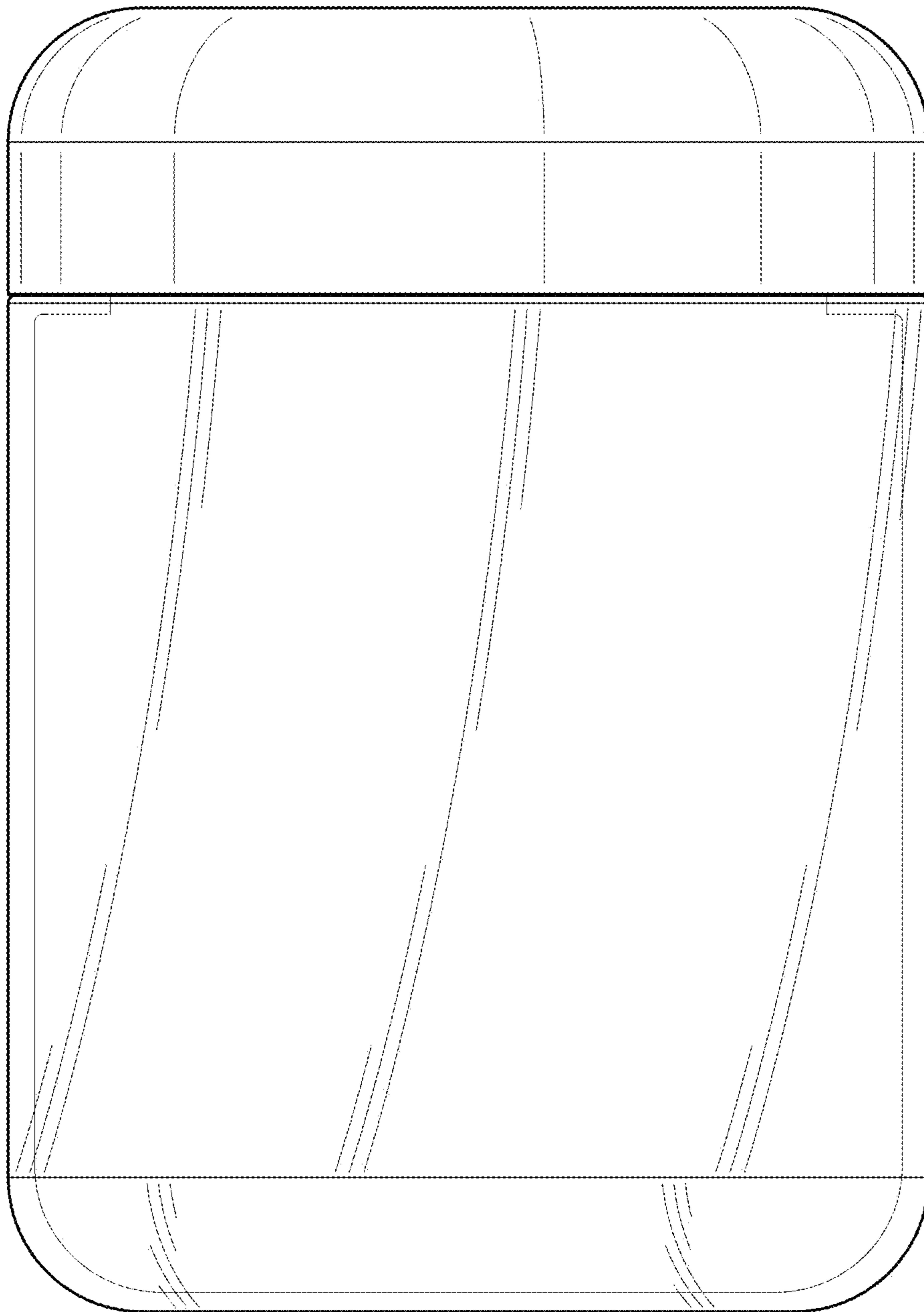


FIG. 20

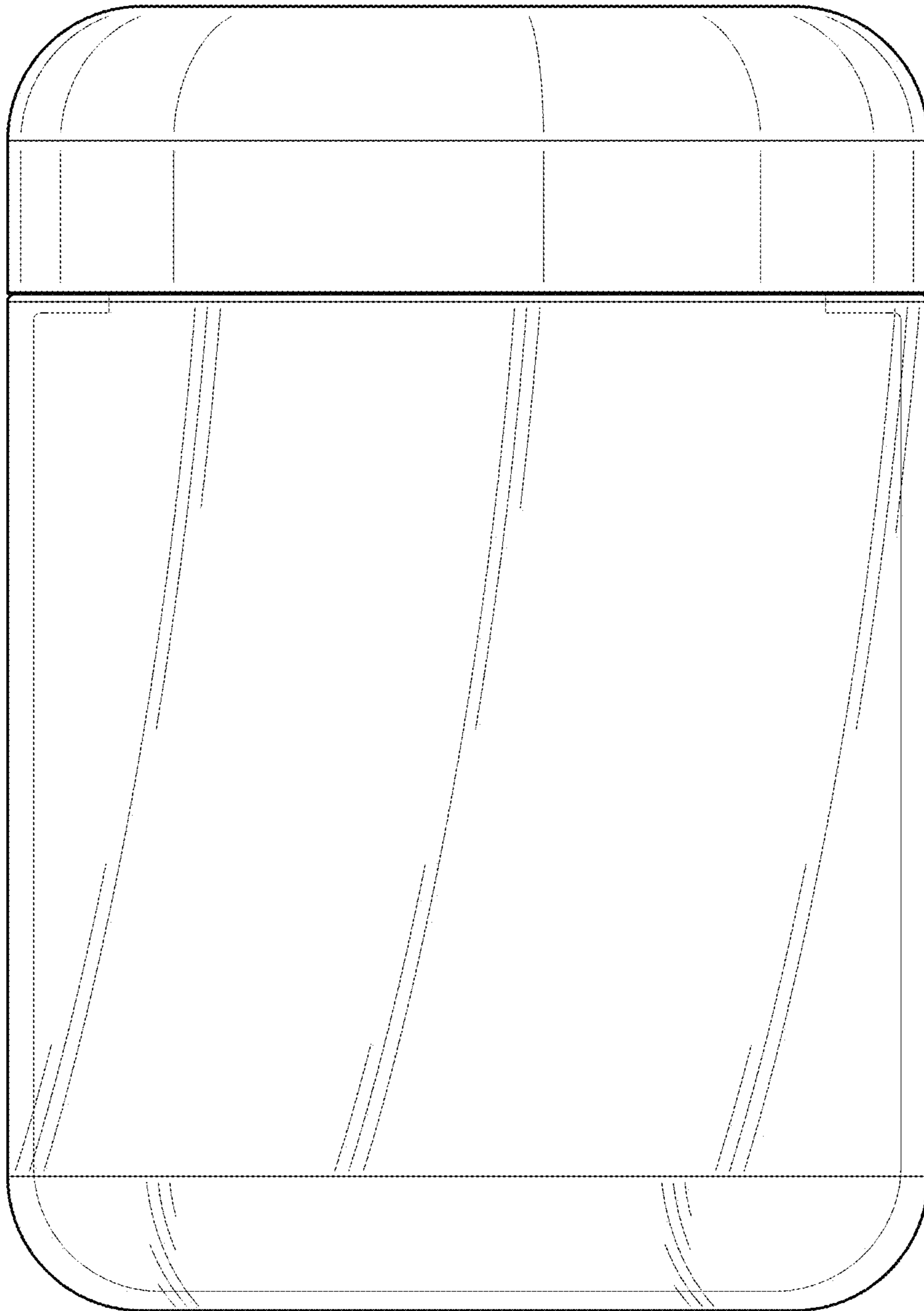


FIG. 21

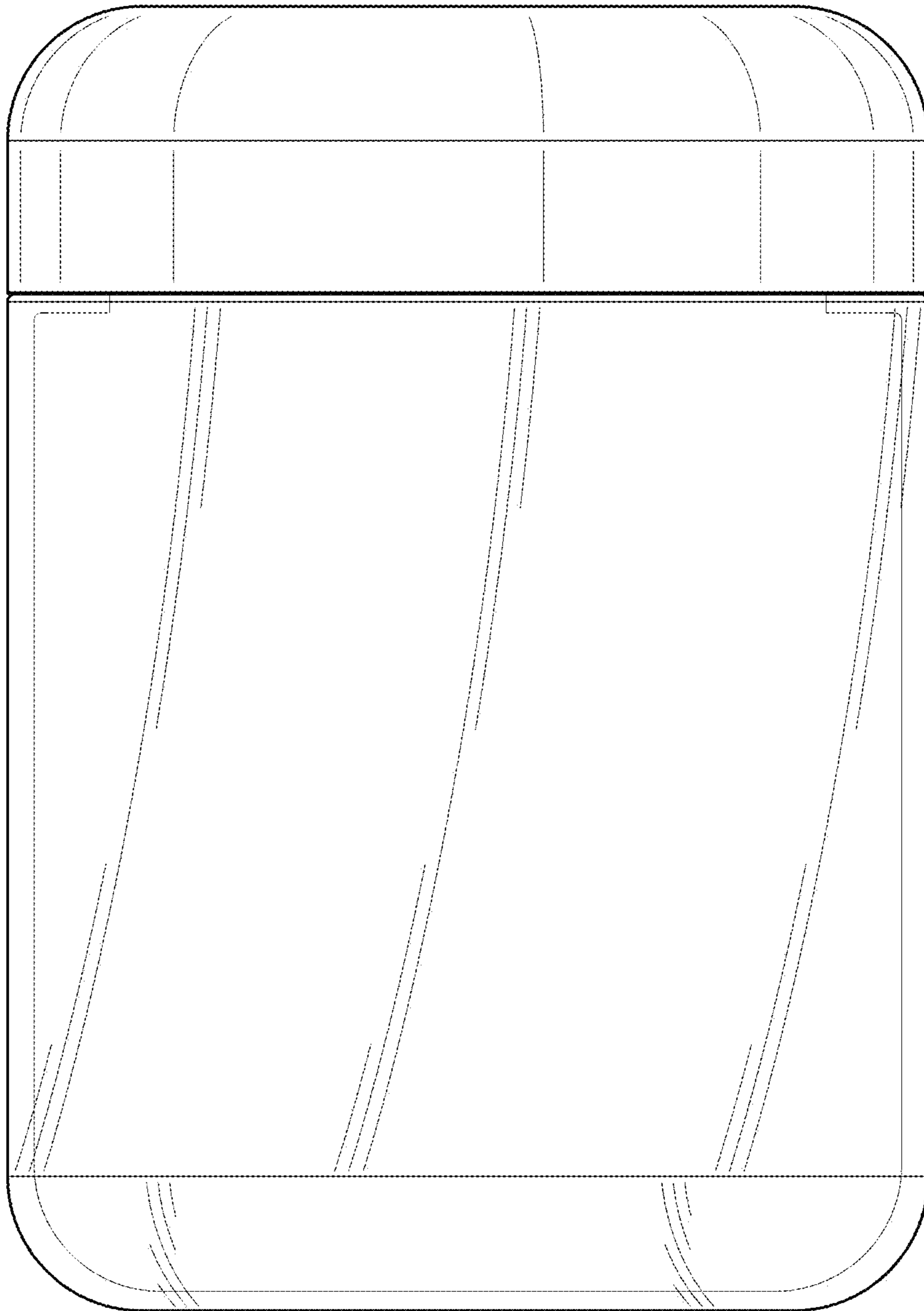


FIG. 22



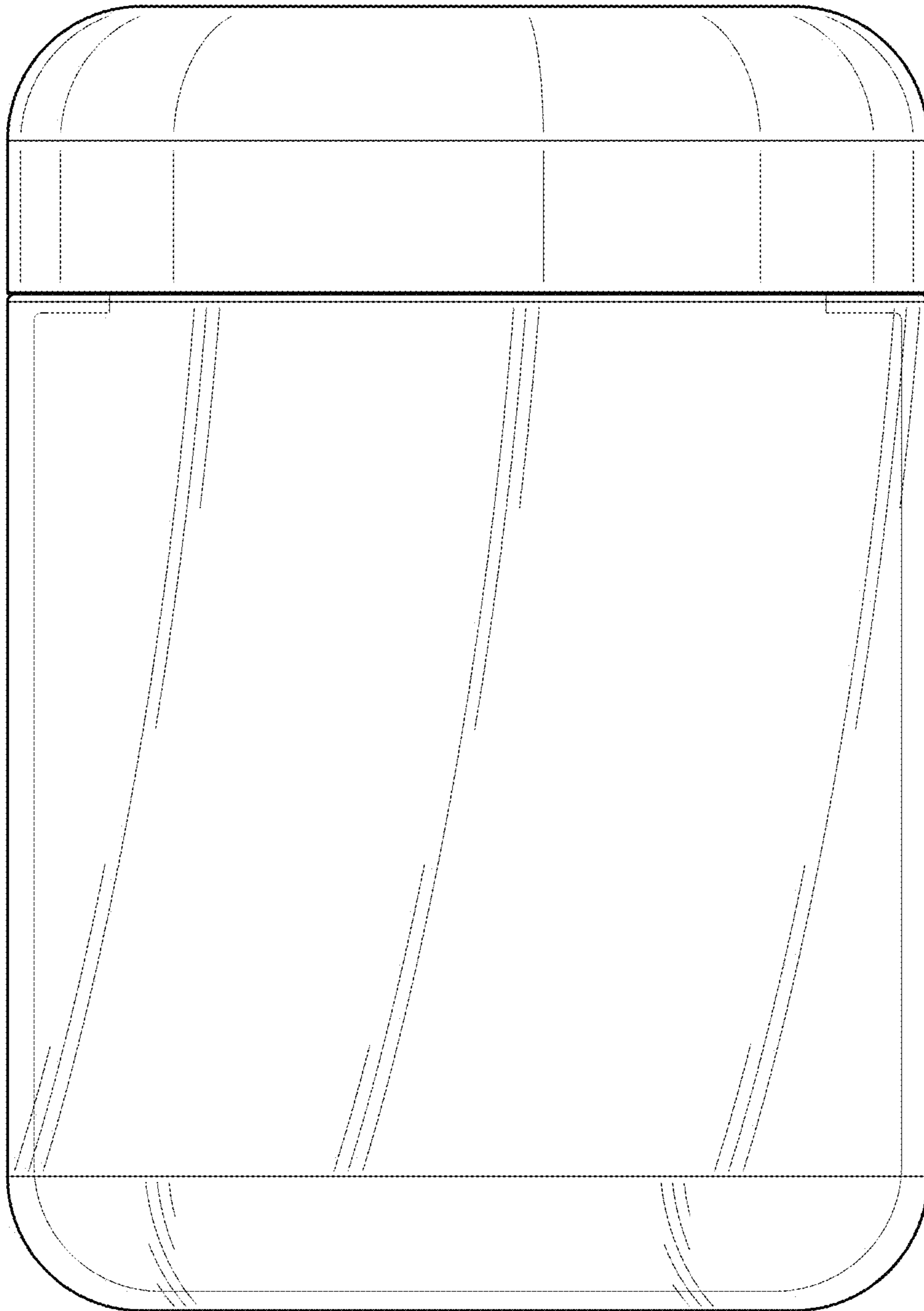


FIG. 23

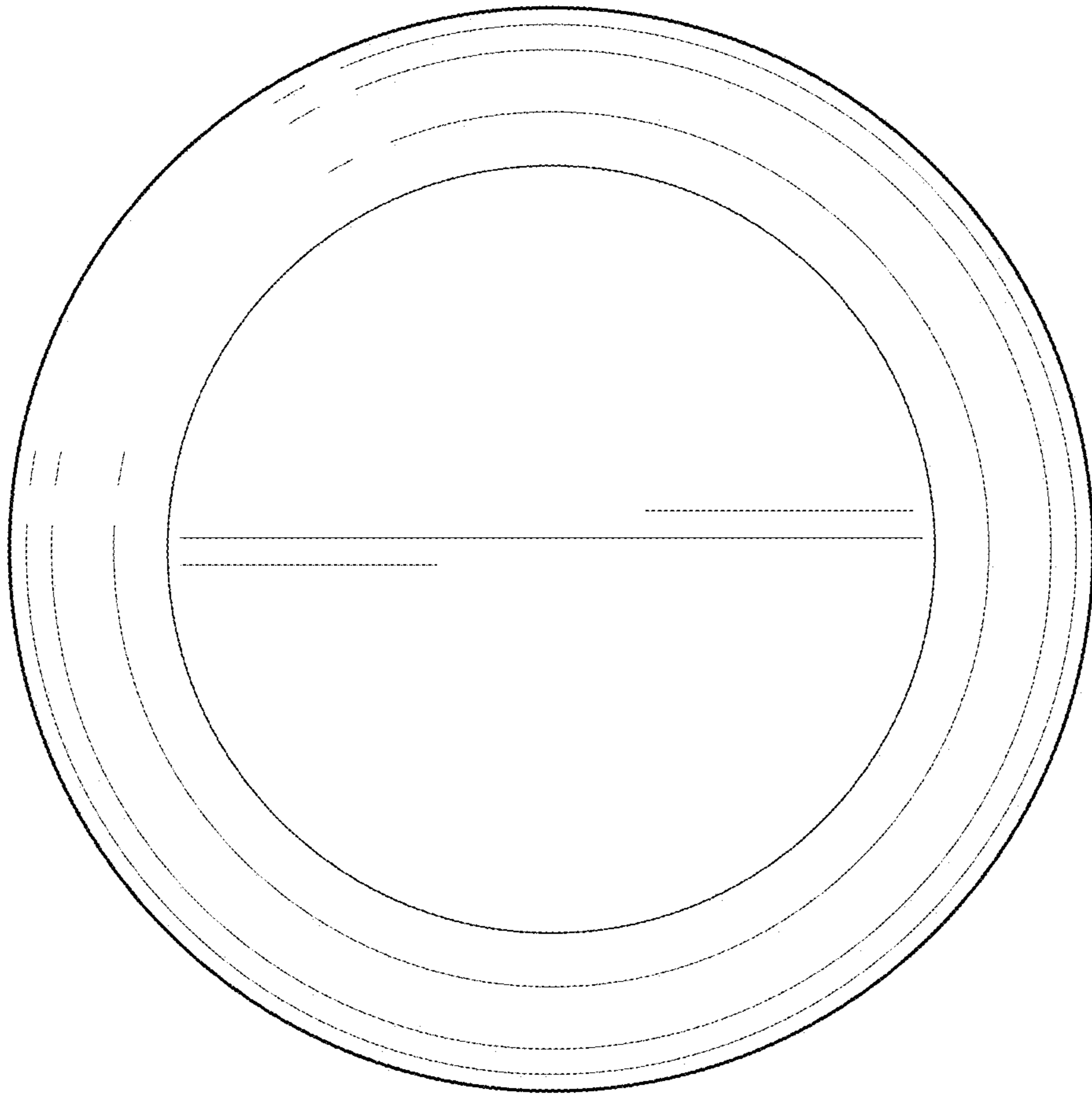


FIG. 24