



US00D915203S

(12) **United States Design Patent**  
**Cavanaugh et al.**

(10) **Patent No.:** **US D915,203 S**

(45) **Date of Patent:** **\*\* Apr. 6, 2021**

(54) **BOTTLE**

(71) Applicant: **Come Ready Foods LLC**, Wexford, PA (US)

(72) Inventors: **Patrick T. Cavanaugh**, Wexford, PA (US); **David Heisner**, York, PA (US)

(73) Assignee: **Come Ready Foods LLC**, Wexford, PA (US)

(\*\*) Term: **15 Years**

(21) Appl. No.: **29/754,503**

(22) Filed: **Oct. 12, 2020**

(51) **LOC (13) Cl.** ..... **09-01**

(52) **U.S. Cl.**  
USPC ..... **D9/502**

(58) **Field of Classification Search**  
USPC ..... D9/500, 502–504, 516, 530, 537–539, D9/549, 557–558, 715, 719; 215/370–371, 379, 381–383; 220/604, 220/608–609, 660, 662, 669–670, 672, 220/675  
CPC ..... B65D 1/00; B65D 1/02; B65D 1/0223; B65D 23/00; B65D 23/102; B65D 2501/00; B65D 2501/0009; B65D 2501/0018; B65D 2501/0036

See application file for complete search history.

(56) **References Cited**

**U.S. PATENT DOCUMENTS**

2,117,276	A	5/1938	Cortland	
2,620,945	A	12/1952	Becker	
D477,230	S	7/2003	Takaichi	
7,051,890	B2	5/2006	Onoda	
D538,658	S *	3/2007	Home	..... D9/502
D545,194	S	6/2007	Goudsblom	
7,296,701	B2	11/2007	Ozawa	
D608,203	S	1/2010	Yourist	

D611,816	S	3/2010	Bangi
D613,166	S	4/2010	Bentley
D613,563	S	4/2010	Burgess
7,832,582	B2	11/2010	Roubal
7,837,049	B2	11/2010	Boukobza
D641,244	S	7/2011	Bysick

(Continued)

**FOREIGN PATENT DOCUMENTS**

AU	2013270455	5/2016
BR	302019002378-0001	8/2019

(Continued)

**OTHER PUBLICATIONS**

Igloo 4101 Beverage Cooler, Insulated, 10 Gallons; <https://www.glovalindustrial.com/p/foodservice/catering/beverage/400-series-coolers-4101>, retrieved Mar. 11, 2020, earliest review Mar. 2018.

(Continued)

*Primary Examiner* — Dana Meyrow

(74) *Attorney, Agent, or Firm* — Clark Hill PLC; Adam J. Fromm

(57) **CLAIM**

An ornamental design for a bottle, as shown and described.

**DESCRIPTION**

FIG. 1 is a perspective view of a bottle showing our new design;

FIG. 2 is a front view thereof;

FIG. 3 is left side view thereof;

FIG. 4 is a rear view thereof;

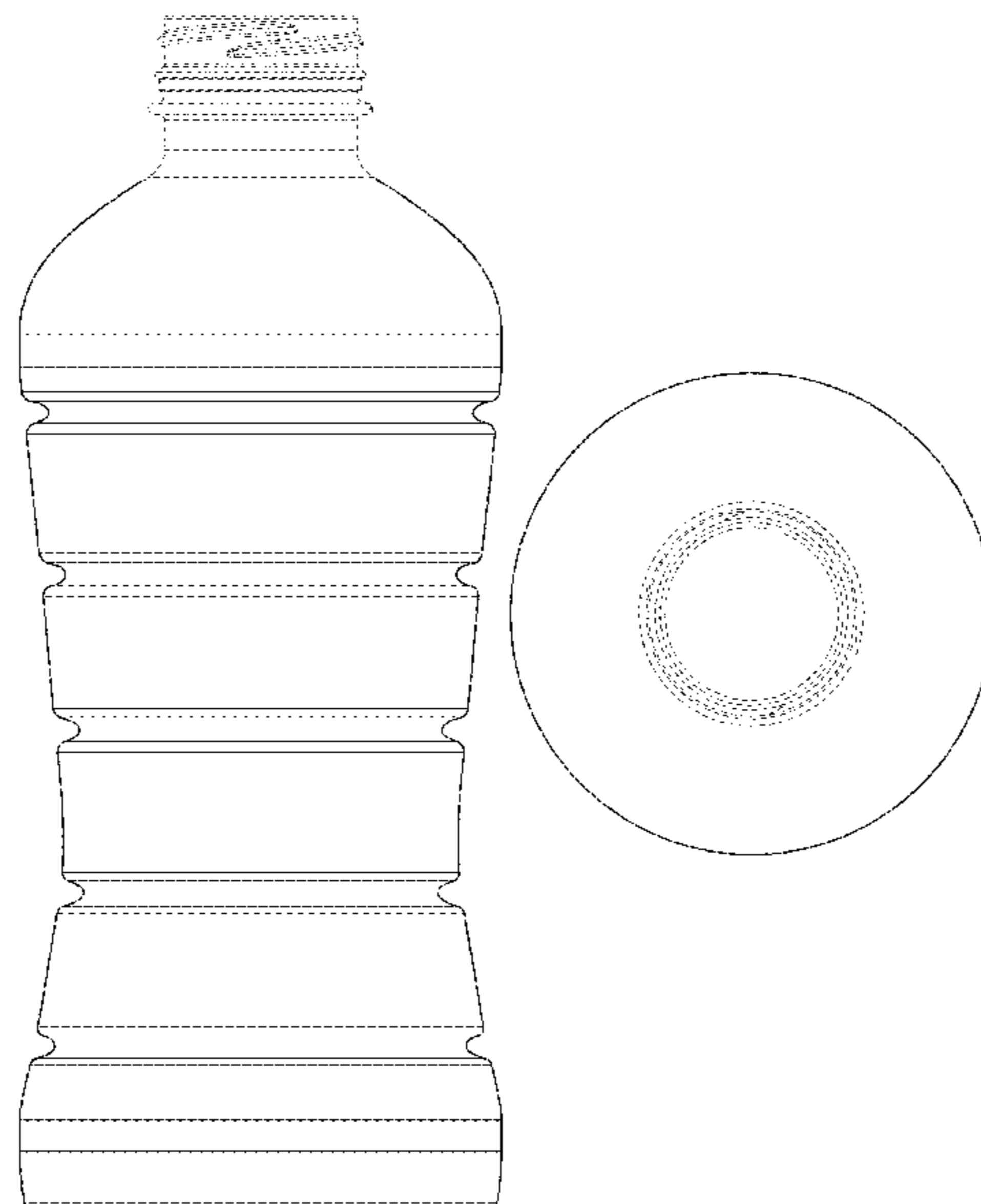
FIG. 5 is a right side view thereof;

FIG. 6 is a top view thereof; and,

FIG. 7 is a bottom view thereof.

The evenly-dashed broken lines in the drawings illustrate the portions of the bottle that form no part of the claimed design.

**1 Claim, 6 Drawing Sheets**



(56)

References Cited

U.S. PATENT DOCUMENTS

D642,471 S 8/2011 White  
 D667,306 S 9/2012 Verea  
 D670,171 S \* 11/2012 Yourist ..... D9/538  
 8,353,415 B2 1/2013 Saito  
 D682,700 S \* 5/2013 White ..... D9/538  
 D689,375 S 9/2013 Garner  
 8,596,479 B2 12/2013 Simon  
 8,616,395 B2 12/2013 Patcheak  
 D705,065 S \* 5/2014 Egret ..... D9/502  
 D705,071 S \* 5/2014 Abend ..... D9/538  
 8,870,006 B2 10/2014 Kamineni  
 9,126,747 B2 9/2015 Burgess  
 D740,663 S 10/2015 Zeboudj  
 9,150,320 B2 10/2015 Wurster  
 D744,835 S 12/2015 Warner  
 D746,685 S 1/2016 Foley  
 D746,686 S 1/2016 Yourist  
 D746,687 S 1/2016 Yourist  
 D746,688 S 1/2016 Yourist  
 D755,049 S 5/2016 Clark  
 D805,902 S \* 12/2017 Warner ..... D9/502  
 D805,903 S \* 12/2017 Warner ..... D9/502  
 D815,948 S 4/2018 McCarney  
 9,969,520 B2 5/2018 Gill  
 10,005,584 B2 6/2018 Tanaka  
 D830,181 S \* 10/2018 Druart ..... D9/502  
 D845,772 S 4/2019 Hall  
 D847,640 S 5/2019 Pritchett, Jr.  
 10,322,837 B2 6/2019 Bysick

D868,587 S 12/2019 Dutra  
 D871,219 S 12/2019 Mastny  
 D874,934 S 2/2020 Yourist  
 D878,211 S \* 3/2020 Dutra ..... D9/516  
 2005/0269284 A1 \* 12/2005 Pedmo ..... B65D 1/0223  
 215/381  
 2012/0074151 A1 \* 3/2012 Gill ..... B65D 1/0223  
 220/669  
 2012/0097635 A1 \* 4/2012 Yourist ..... B65D 1/0276  
 215/381  
 2019/0062026 A1 2/2019 Pritchett, Jr.  
 2019/0389616 A1 12/2019 Heisner

FOREIGN PATENT DOCUMENTS

BR 302019002379-0001 8/2019  
 BR 302019002380-0001 8/2019  
 BR 302019002382-0001 8/2019  
 CN 305035472 2/2019  
 EM 003474832-0001 11/2016  
 MX 318714 3/2014  
 MX 326134 12/2014  
 MX 330217 5/2015

OTHER PUBLICATIONS

Gatorade Beverage Cooler, 5 gal., Orange; <https://www.zoro.com/gatorade-beverage-cooler-hard-sided-50-gal-49201/i/G4331756/>, retrieved Mar. 11, 2020.

\* cited by examiner

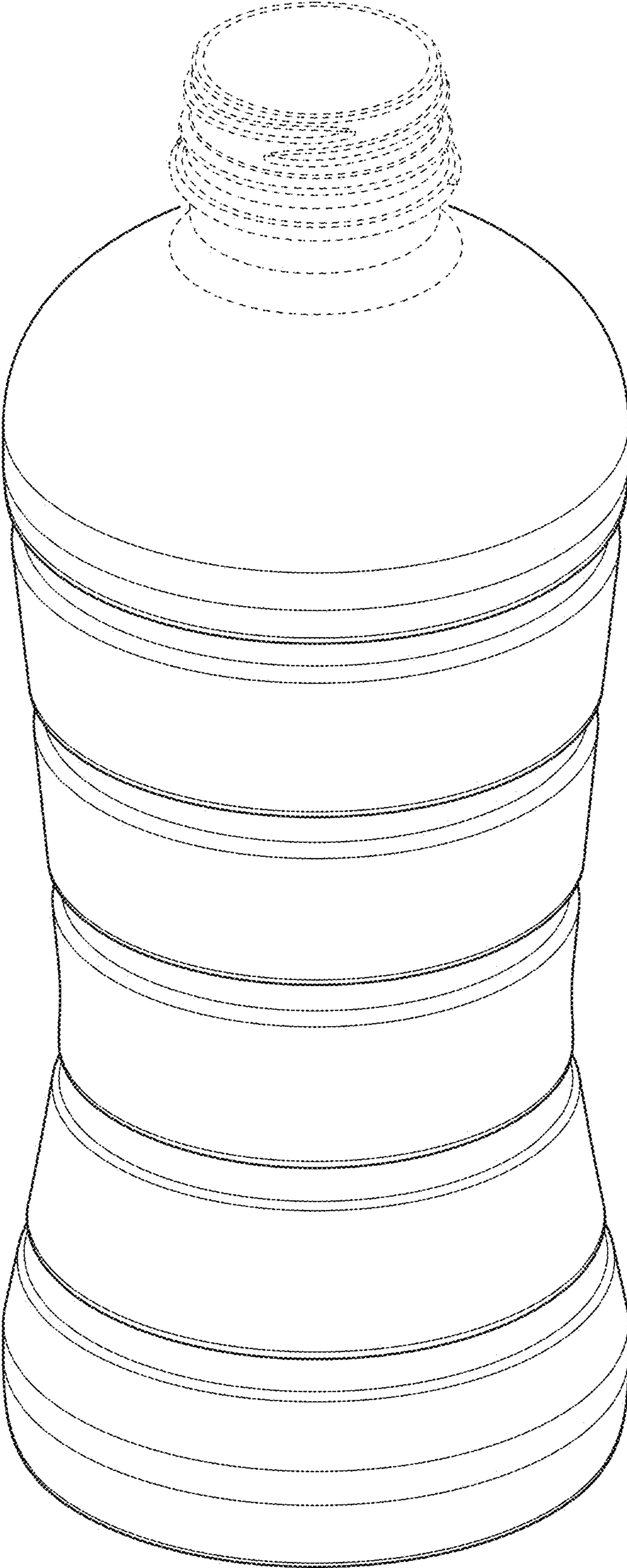


FIG. 1

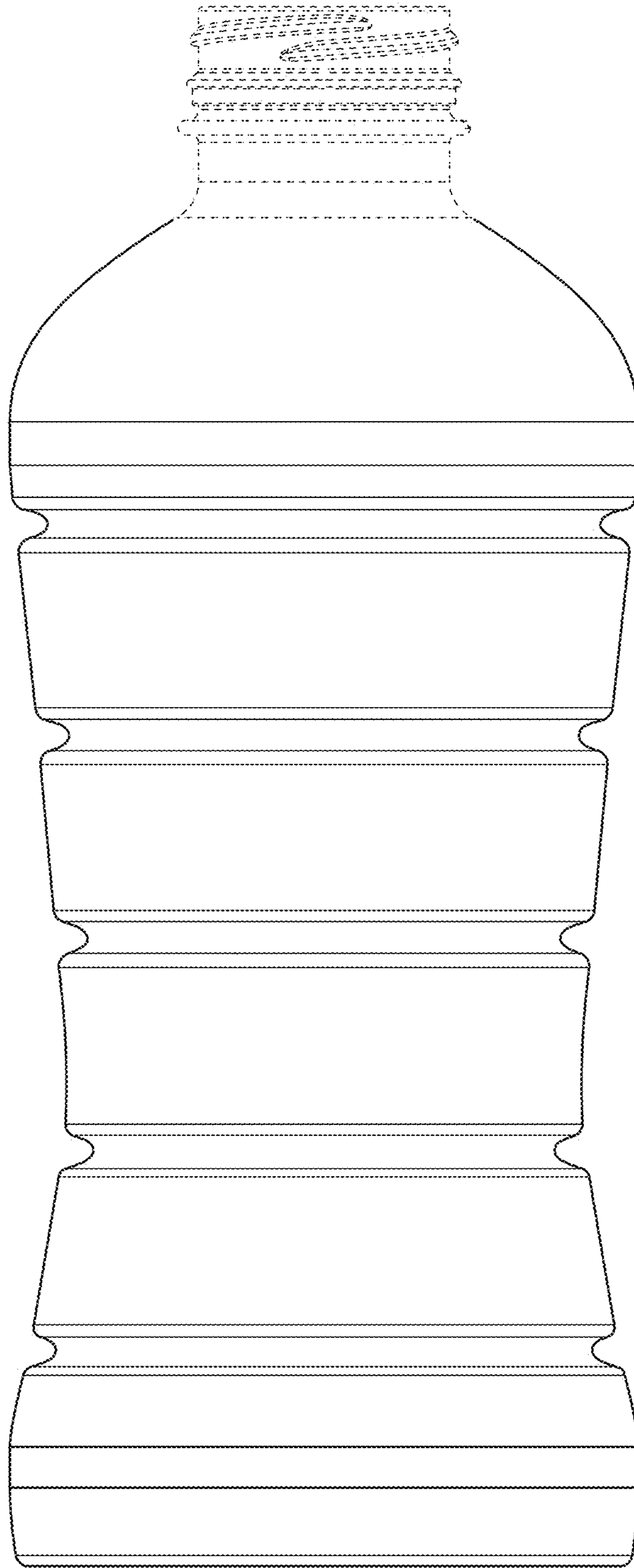


FIG. 2

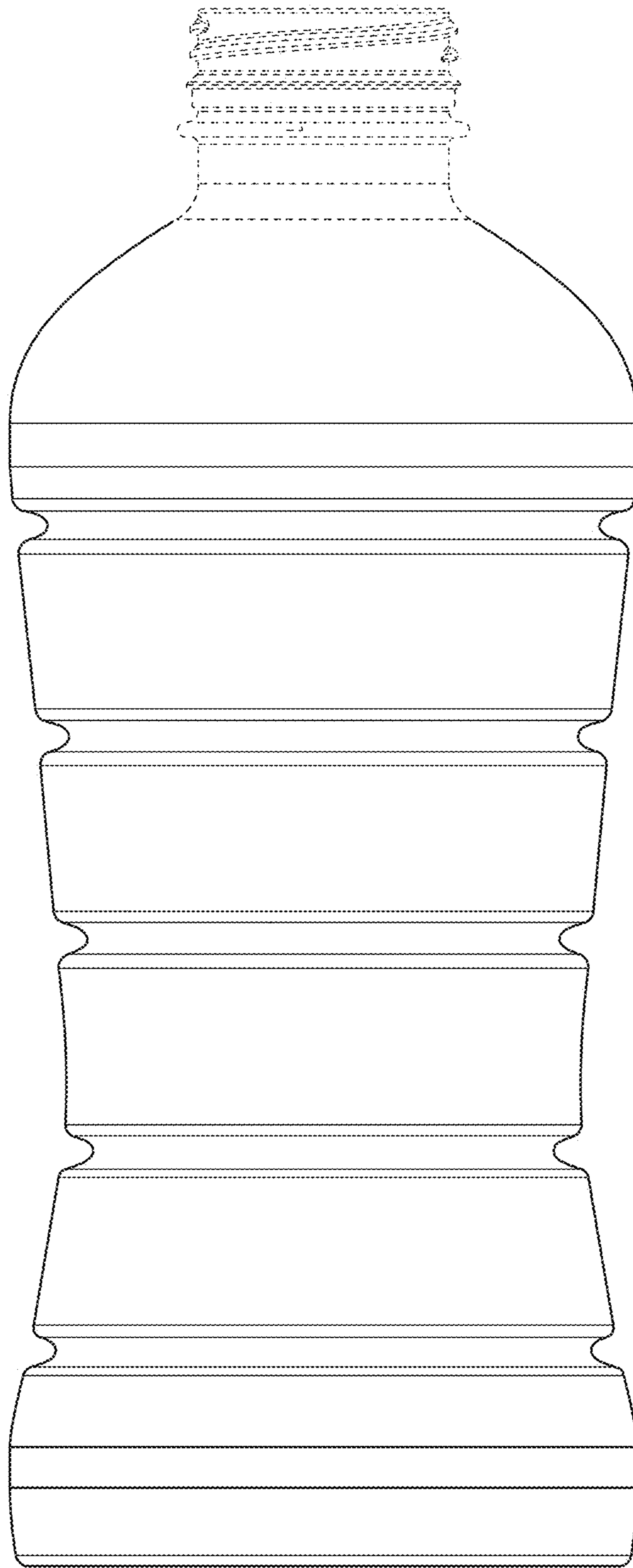


FIG. 3



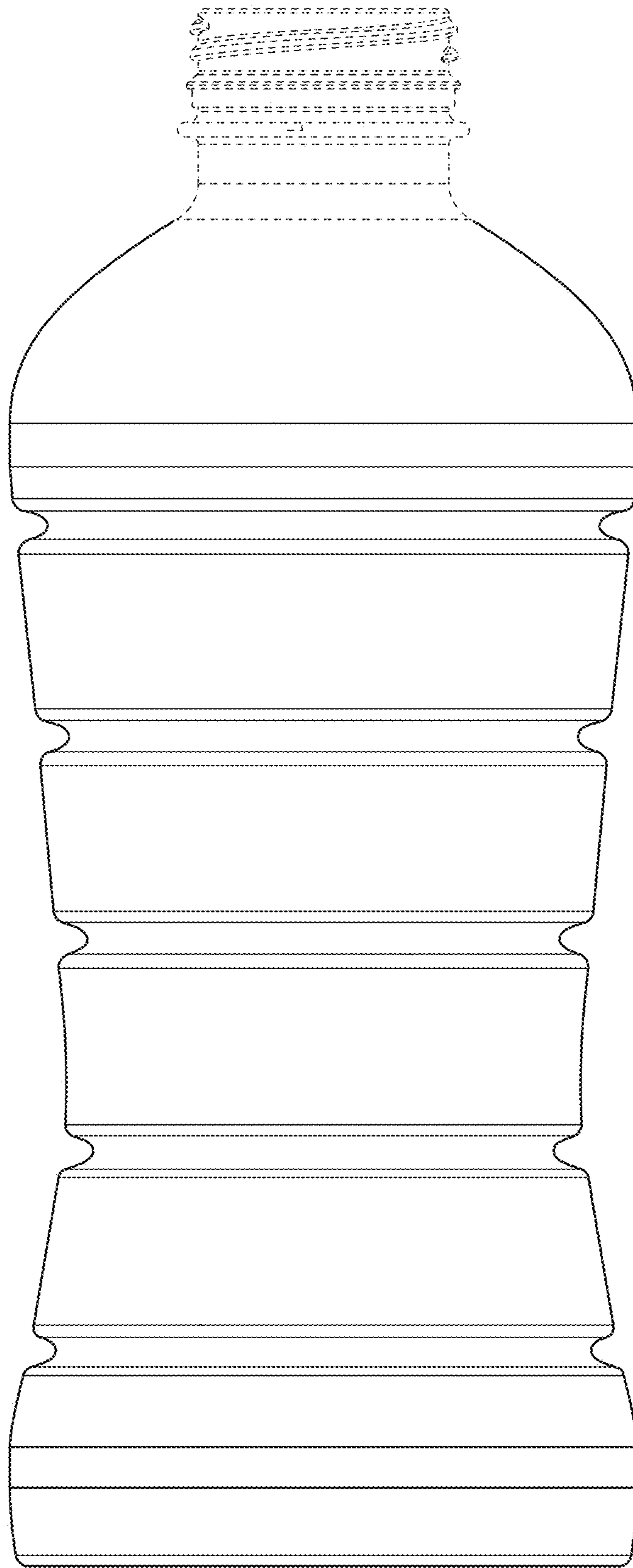


FIG. 4

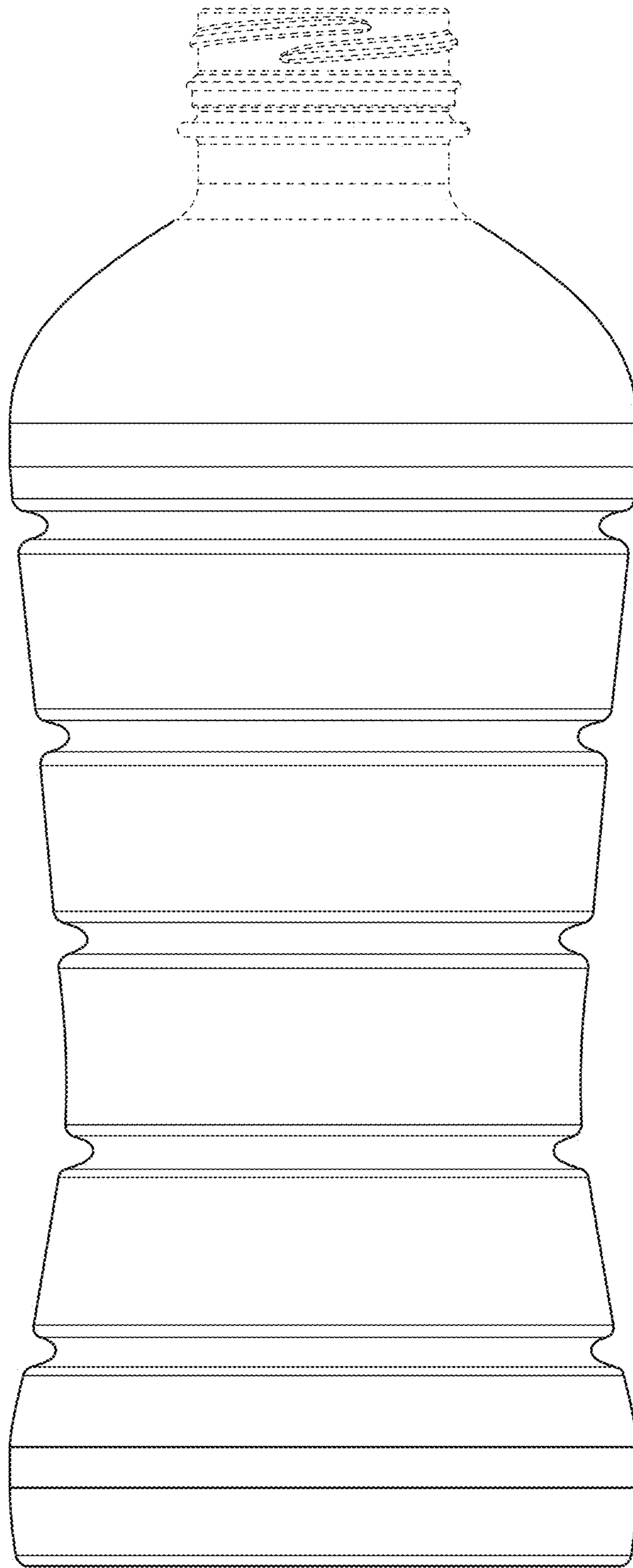


FIG. 5

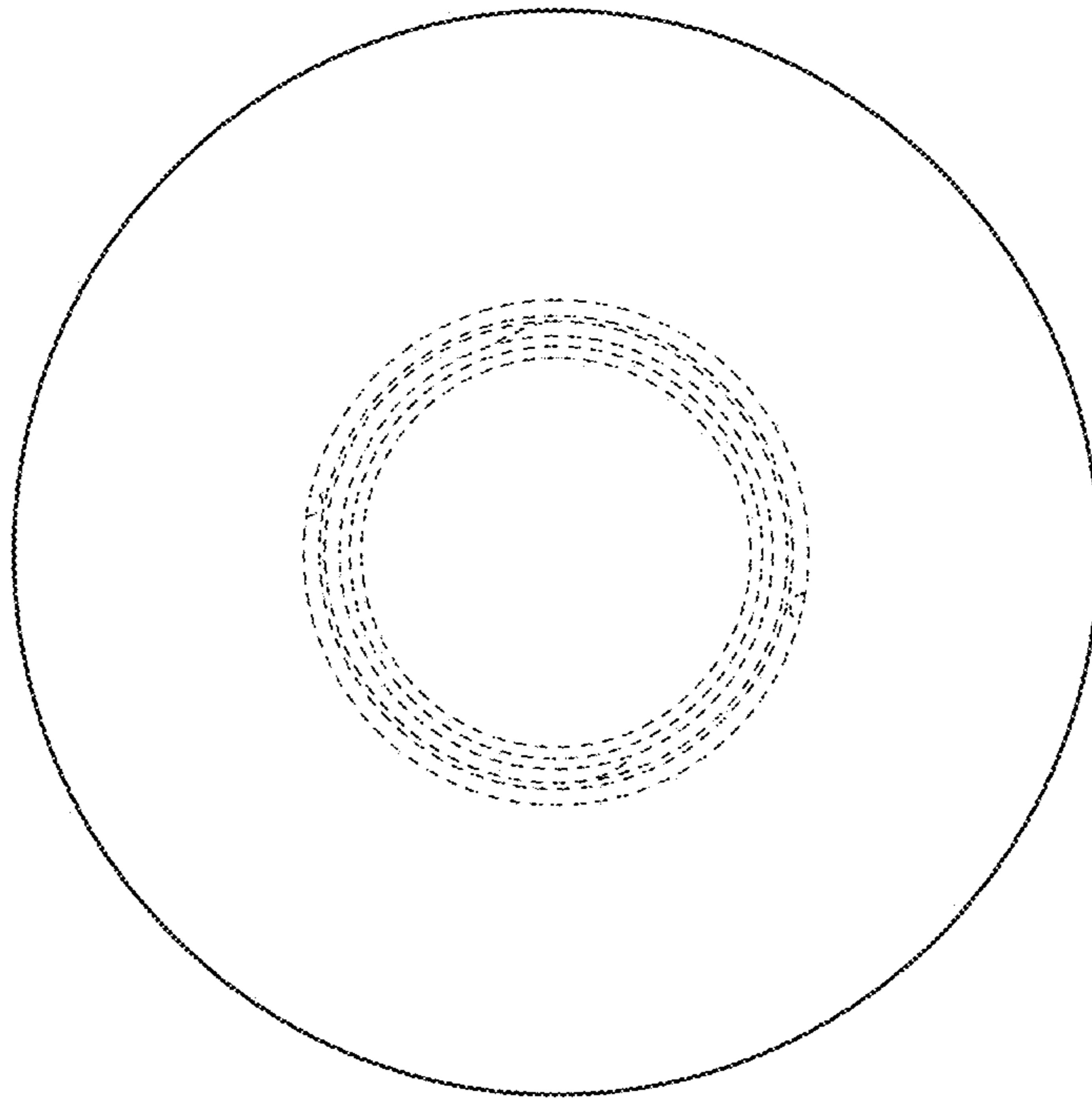


FIG. 6

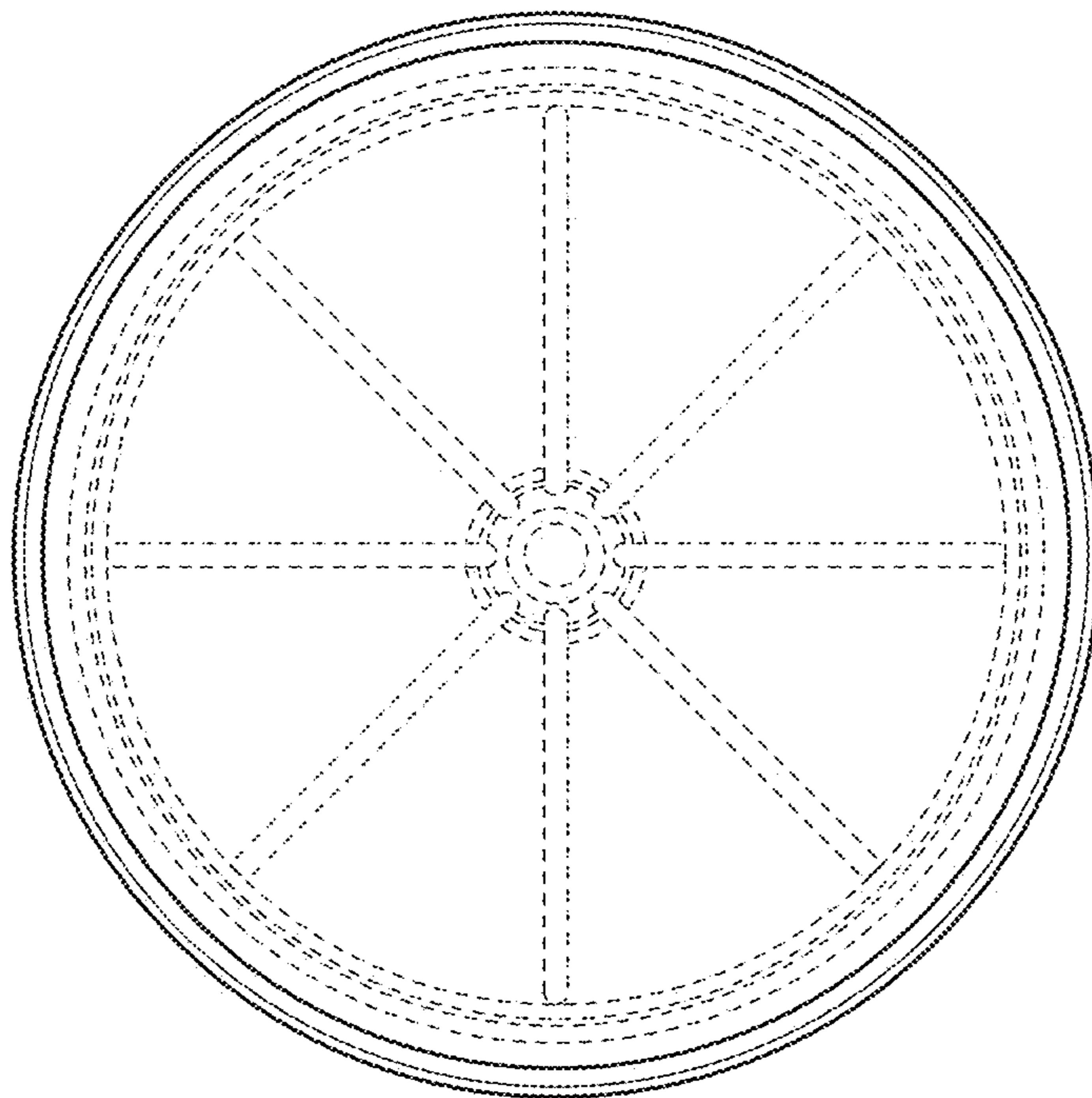


FIG. 7