



US00D915201S

(12) **United States Design Patent**  
**Adams et al.**

(10) **Patent No.:** **US D915,201 S**  
(45) **Date of Patent:** **\*\* Apr. 6, 2021**

(54) **DUMBBELL PACKING INSERT**

5/4204; B65D 1/00; B65D 1/02; B65D 1/0233; B65D 1/22; B65D 1/32; B65D 1/36; B65D 1/40; B65D 1/225; B65D (Continued)

(71) Applicant: **Amazon Technologies, Inc.**, Seattle, WA (US)

(72) Inventors: **Wesley Neil Adams**, Auburn, WA (US); **Chad Leonard Hockin**, Seattle, WA (US)

(73) Assignee: **Amazon Technologies, Inc.**, Seattle, WA (US)

(\*\*) Term: **15 Years**

(21) Appl. No.: **29/657,684**

(22) Filed: **Jul. 24, 2018**

(51) **LOC (13) Cl.** ..... **09-07**

(52) **U.S. Cl.**  
USPC ..... **D9/456**

(58) **Field of Classification Search**  
USPC ..... D6/300, 308, 546, 672, 675, 678.2; D7/300, 305, 306, 307, 308, 312, 313, D7/391, 397, 541, 550.1, 553.1, 553.2, D7/553.3, 555.589, 590, 601, 602, 701; D9/414, 415, 418, 420, 424, 425, 426, D9/430, 432, 433, 434, 451, 455, 456, D9/457, 499, 600, 612, 653, 661, 667, D9/722, 737, 756, 759, 760, 761; D19/3, D19/75, 107; D20/11, 14, 19, 21, 22, 27, D20/40, 42, 43, 44; D25/124, 126, 119, D25/122, 136  
CPC ..... A47J 47/20; B65D 21/083; B65D 21/086; B65D 57/00; B65D 61/02; B65D 81/133; B65D 5/01; B65D 5/02; B65D 5/0254; B65D 5/0045; B65D 5/18; B65D 5/2033; B65D 5/38; B65D 5/40; B65D 5/48038; B65D 5/48032; B65D 5/48004; B65D 1/24; B65D 1/34; B65D 1/38; B65D 1/335; B65D 77/24; B65D 77/067; B65D 5/00-02; B65D 5/0209-0272; B65D 5/029; B65D 5/72; B65D 5/541; B65D 5/705; B65D 5/706; B65D 5/727; B65D

(56) **References Cited**

U.S. PATENT DOCUMENTS

901,695 A \* 10/1908 Davis ..... B65D 5/2033 229/109  
1,979,245 A \* 11/1934 Andrews ..... B65D 5/2033 206/772

(Continued)

*Primary Examiner* — Catherine S Posthauer

(74) *Attorney, Agent, or Firm* — BakerHostetler

(57) **CLAIM**

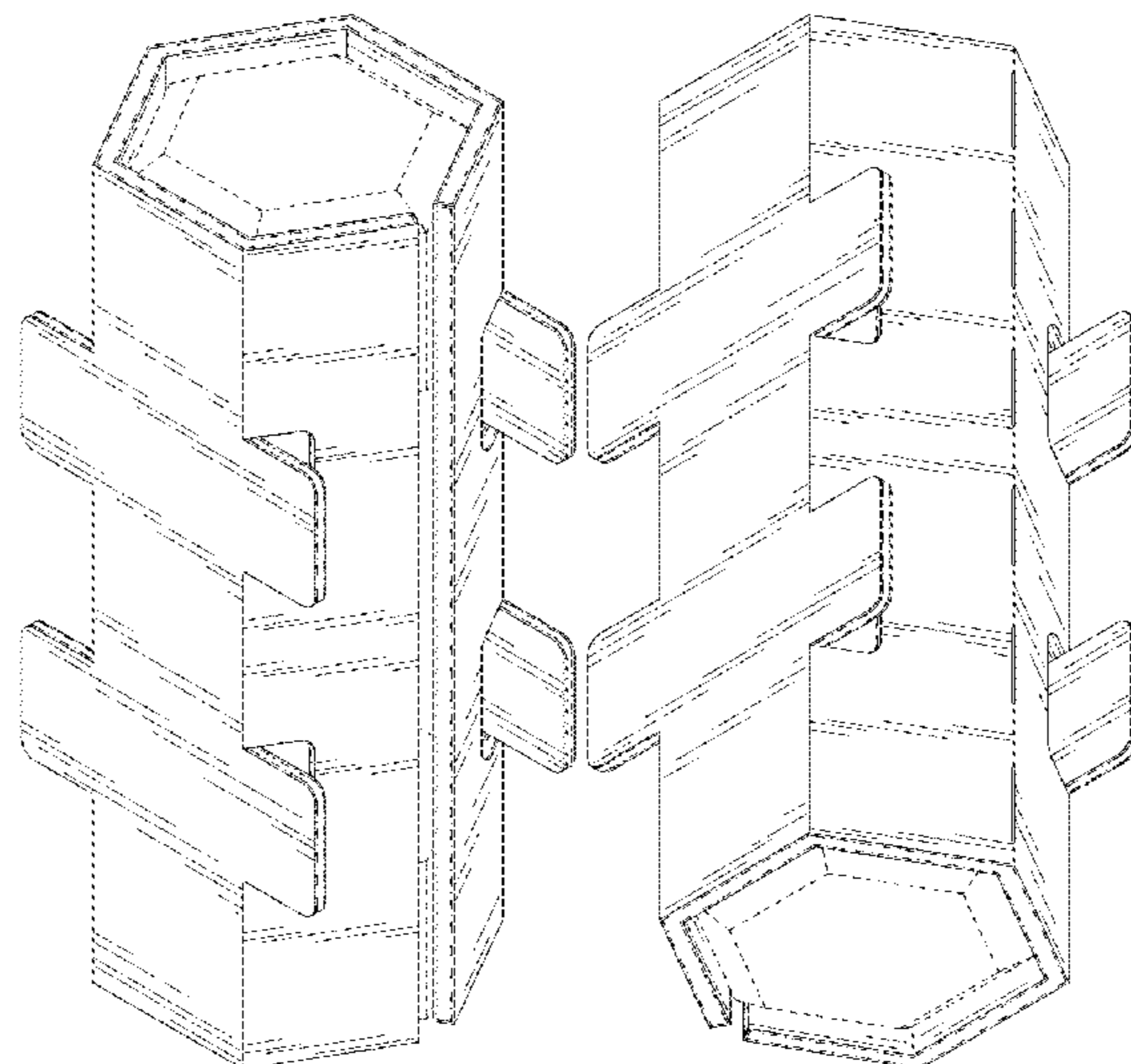
We claim the ornamental design for a dumbbell packing insert, as shown and described.

**DESCRIPTION**

FIG. 1 is a top, first perspective view of a dumbbell packing insert according to our new design;  
FIG. 2 is a bottom, second perspective view thereof, taken opposite the first perspective view of FIG. 1;  
FIG. 3 is a top view thereof;  
FIG. 4 is a bottom view thereof;  
FIG. 5 is a first side view thereof;  
FIG. 6 is a second side view thereof, taken opposite the first side view of FIG. 5;  
FIG. 7 is a third side view thereof;  
FIG. 8 is a fourth side view thereof, taken opposite the third side view of FIG. 7; and,  
FIG. 9 is a perspective view of thereof, shown in a position of use with an exemplary box.

The evenly broken lines represent environmental subject matter of an exemplary box and parts of the article. The dot-dash broken lines represent the boundaries of the claim. None of the broken lines form part of the claim.

**1 Claim, 3 Drawing Sheets**



(58) **Field of Classification Search**  
 CPC ..... 23/00; B65D 23/12; B65D 23/14; B65D  
 2543/00296; B65D 15/08; B65D 65/22;  
 B65D 71/16; B65D 85/187; A47L 13/00;  
 A47L 13/10; A47L 13/12; A47L 13/16;  
 A47L 13/17; A47L 13/18  
 See application file for complete search history.

(56) **References Cited**

U.S. PATENT DOCUMENTS

2,000,210 A \* 5/1935 Bayless ..... B65D 5/701  
 229/110  
 D112,411 S \* 11/1938 Muller ..... D9/433  
 2,314,631 A \* 3/1943 Ray ..... B65D 5/12  
 229/117.27  
 2,726,803 A \* 12/1955 Ketler ..... B65D 5/14  
 229/5.5  
 2,969,903 A \* 1/1961 Keith ..... B65D 5/2033  
 229/110  
 3,261,533 A \* 7/1966 Repking ..... B65D 5/12  
 229/109  
 3,333,685 A \* 8/1967 Pezdek ..... B65D 5/14  
 206/728  
 3,433,400 A \* 3/1969 Hawkins ..... B65D 5/2033  
 229/109  
 3,738,563 A \* 6/1973 Eifrid ..... B65D 5/12  
 229/109

3,877,631 A \* 4/1975 Lai ..... B65D 5/12  
 229/109  
 4,134,531 A \* 1/1979 Martinez ..... B65D 5/685  
 206/807  
 D255,655 S \* 7/1980 Hart ..... D9/737  
 4,244,510 A \* 1/1981 Snyder ..... B65D 5/0281  
 229/109  
 4,260,100 A \* 4/1981 Hoffman ..... B65D 5/0254  
 229/109  
 4,359,182 A \* 11/1982 Perkins, Jr. .... B65D 5/2033  
 206/815  
 4,742,951 A \* 5/1988 Kelly ..... B65D 77/06  
 229/109  
 D310,967 S \* 10/1990 Roethling ..... D9/418  
 D324,823 S \* 3/1992 Scarpa ..... D9/430  
 D328,706 S \* 8/1992 Ruff ..... D9/430  
 D402,201 S \* 12/1998 Miller ..... D9/431  
 D443,819 S \* 6/2001 Gitersonke ..... D9/418  
 D455,956 S \* 4/2002 Thompson ..... D9/415  
 D490,310 S \* 5/2004 Aggenberg ..... D9/430  
 D570,682 S \* 6/2008 Erden ..... D9/430  
 D617,184 S \* 6/2010 Sneva ..... D9/430  
 D640,133 S \* 6/2011 Jones ..... D9/430  
 D650,274 S \* 12/2011 Neumann ..... D9/430  
 D810,569 S \* 2/2018 Marco Esteban ..... D9/456  
 D822,482 S \* 7/2018 Dib ..... D9/430  
 D845,121 S \* 4/2019 Webb ..... D9/414  
 D849,530 S \* 5/2019 Fremgen ..... D9/430

\* cited by examiner

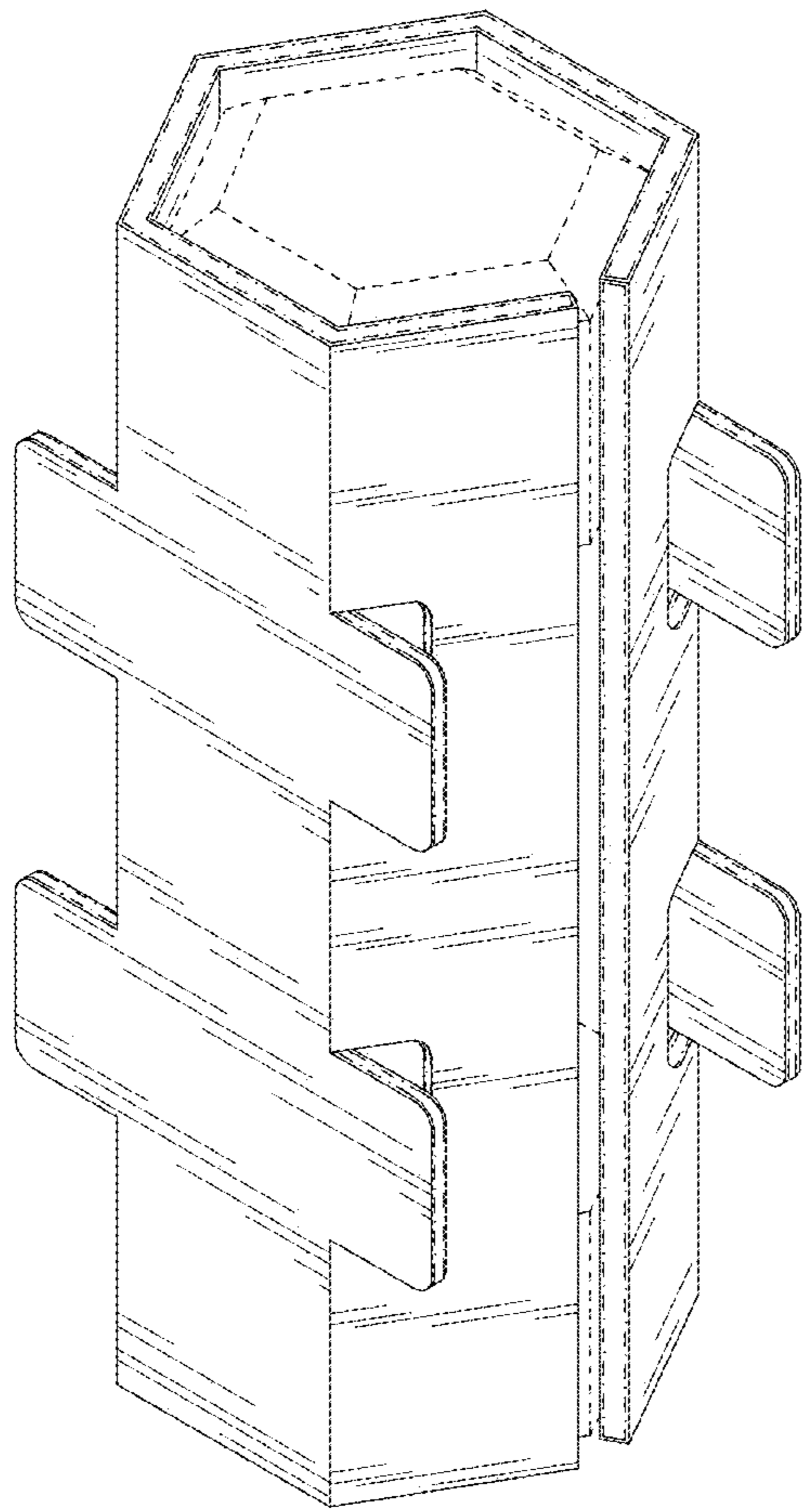


Fig.1

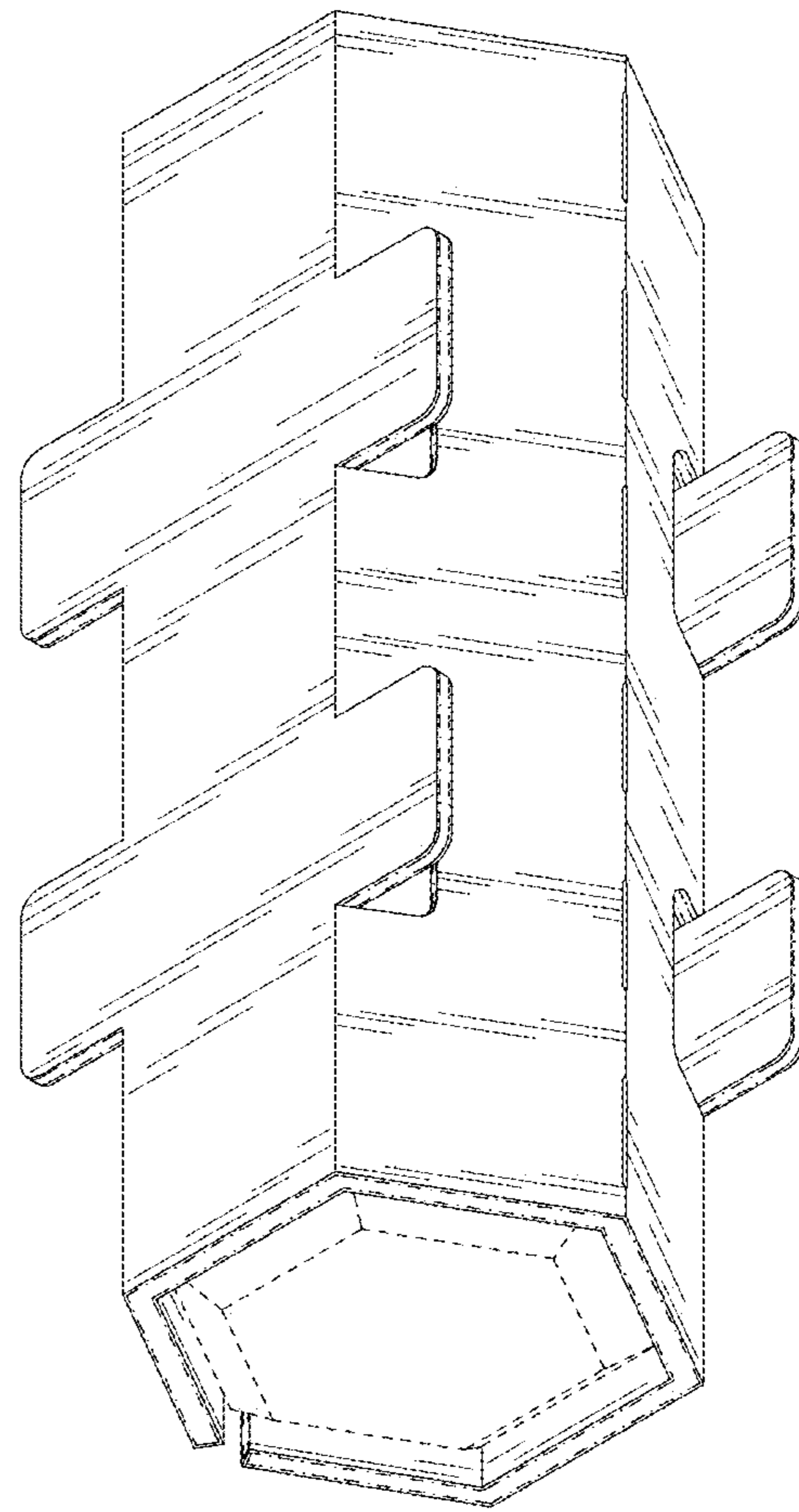


Fig.2

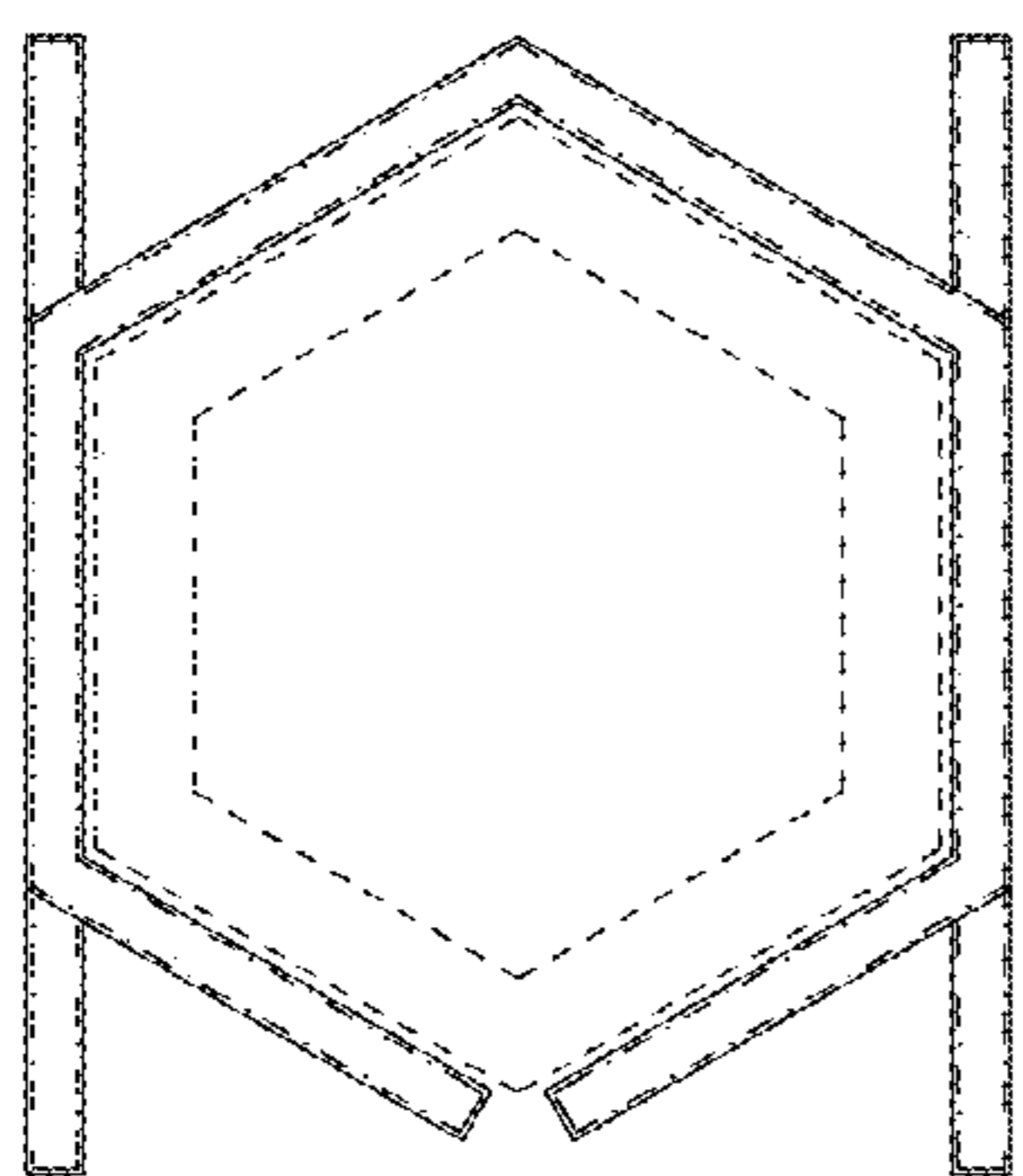


Fig.3

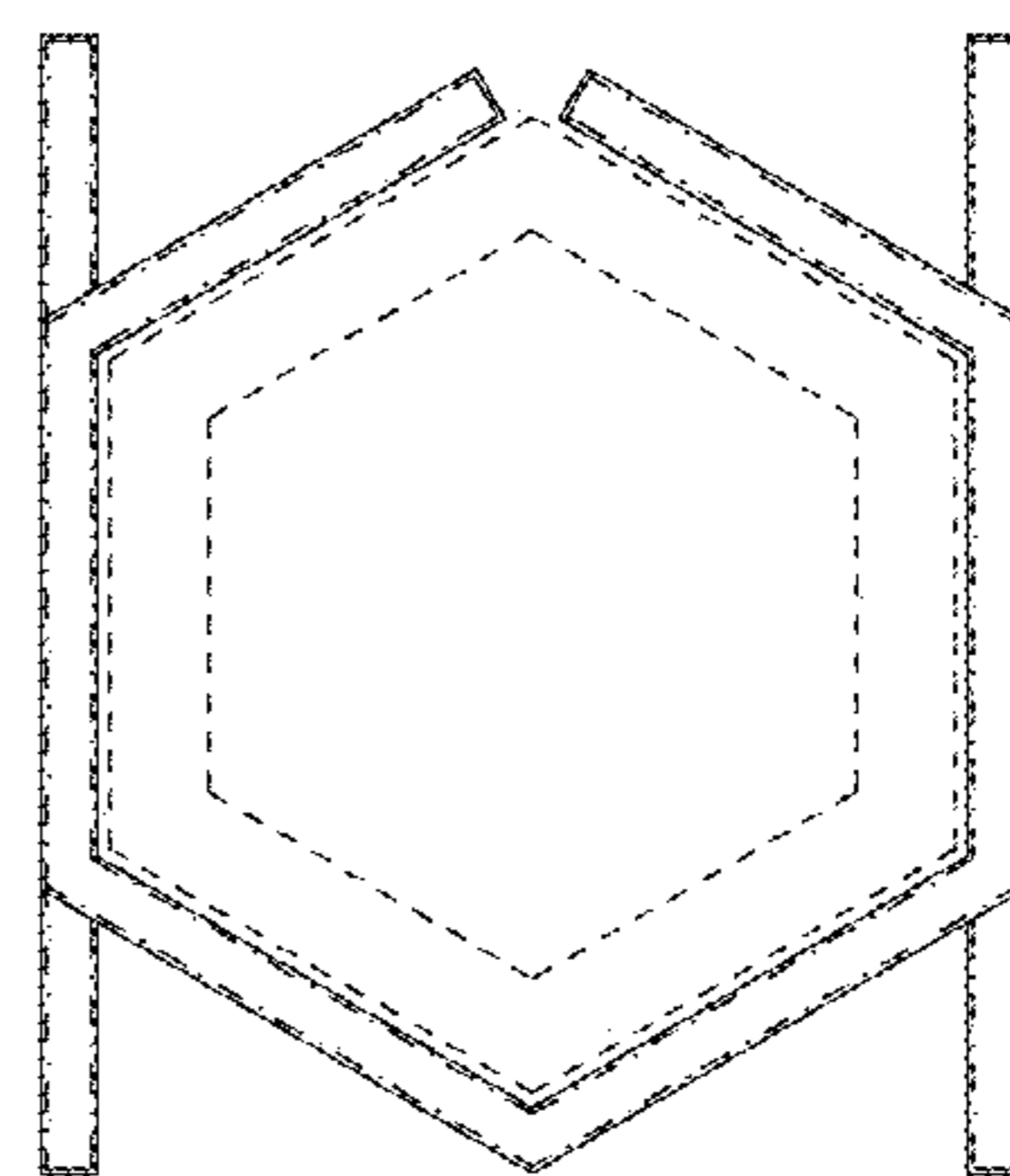


Fig.4

Fig.5

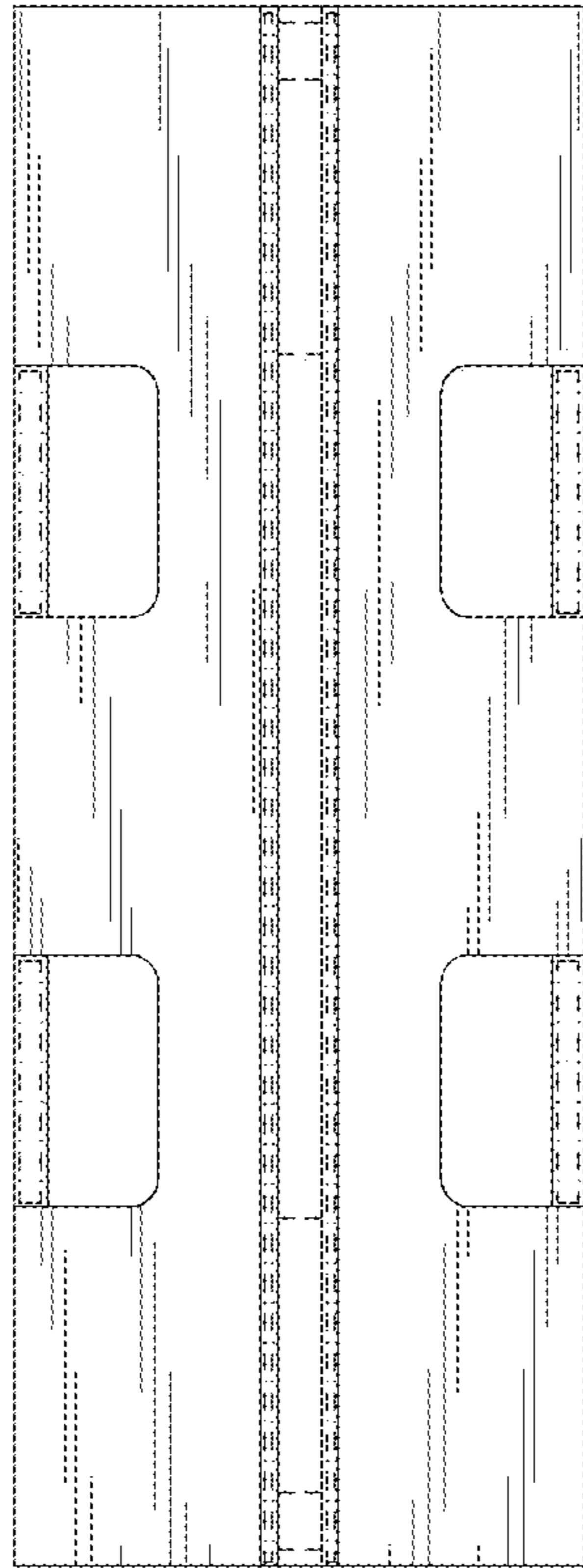


Fig.6

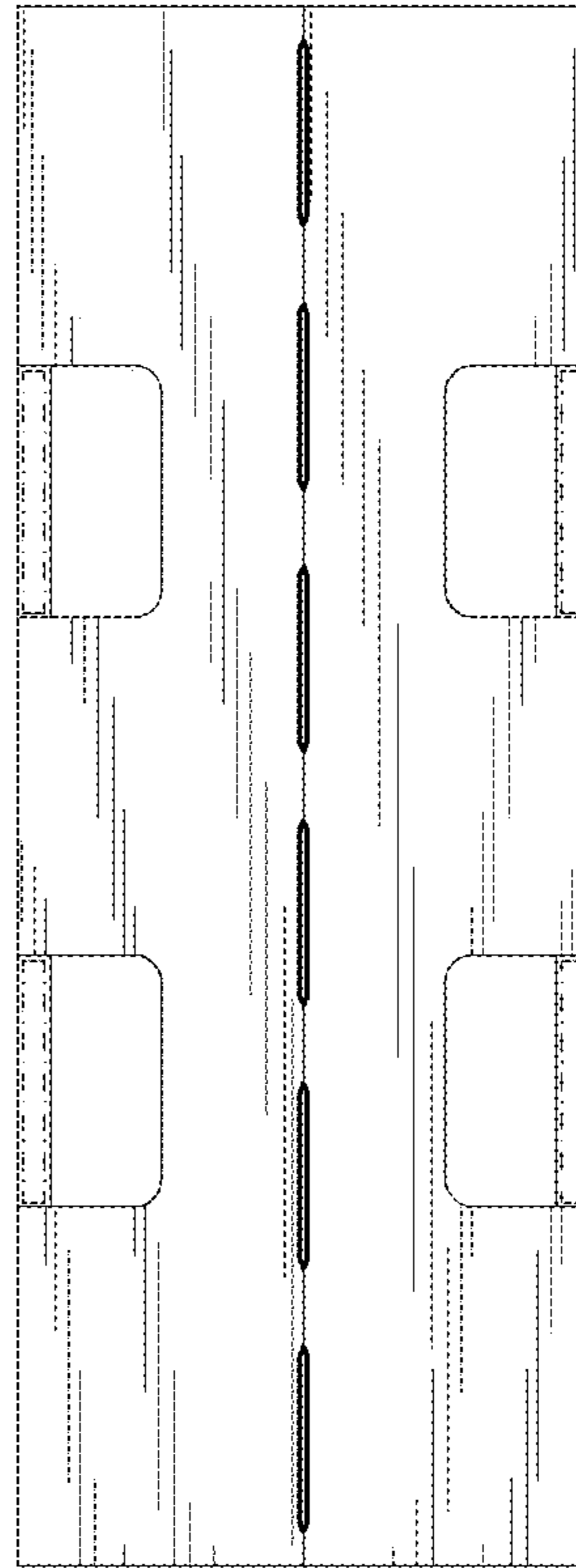


Fig.7

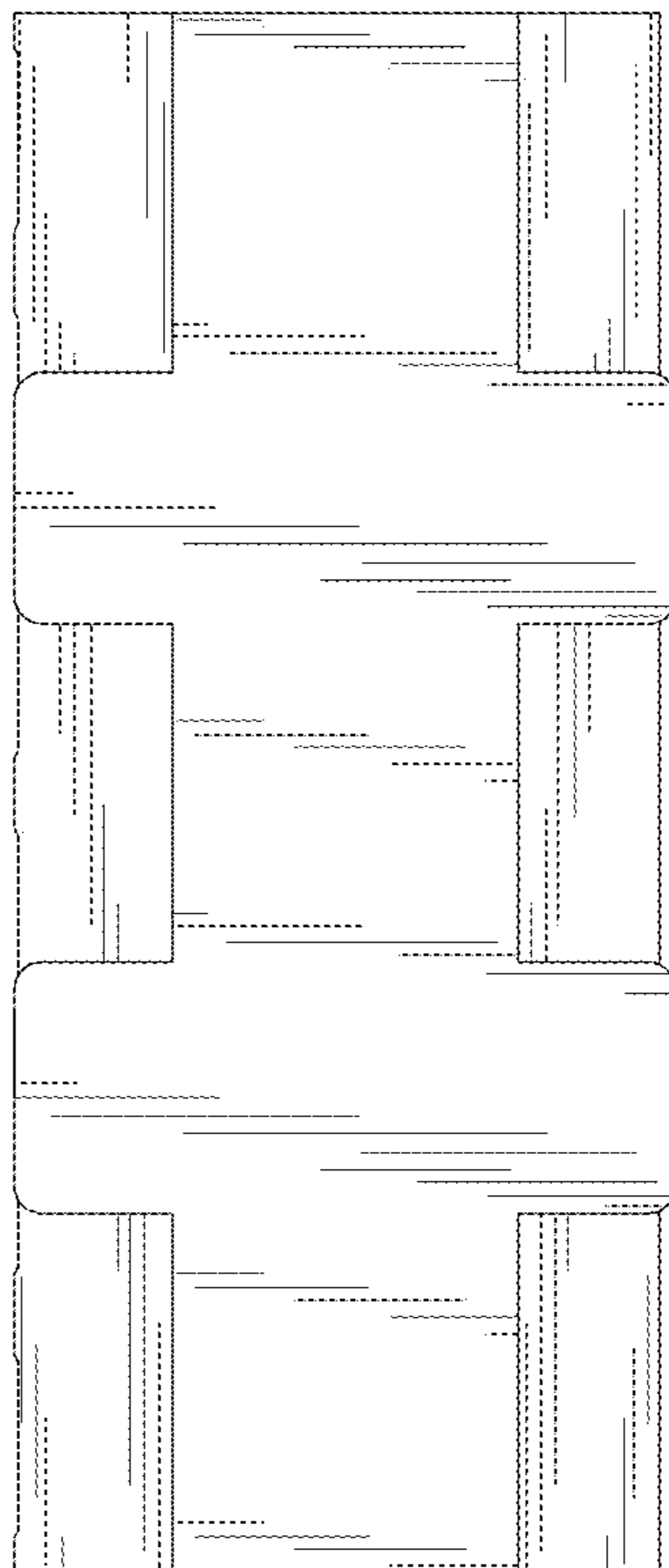
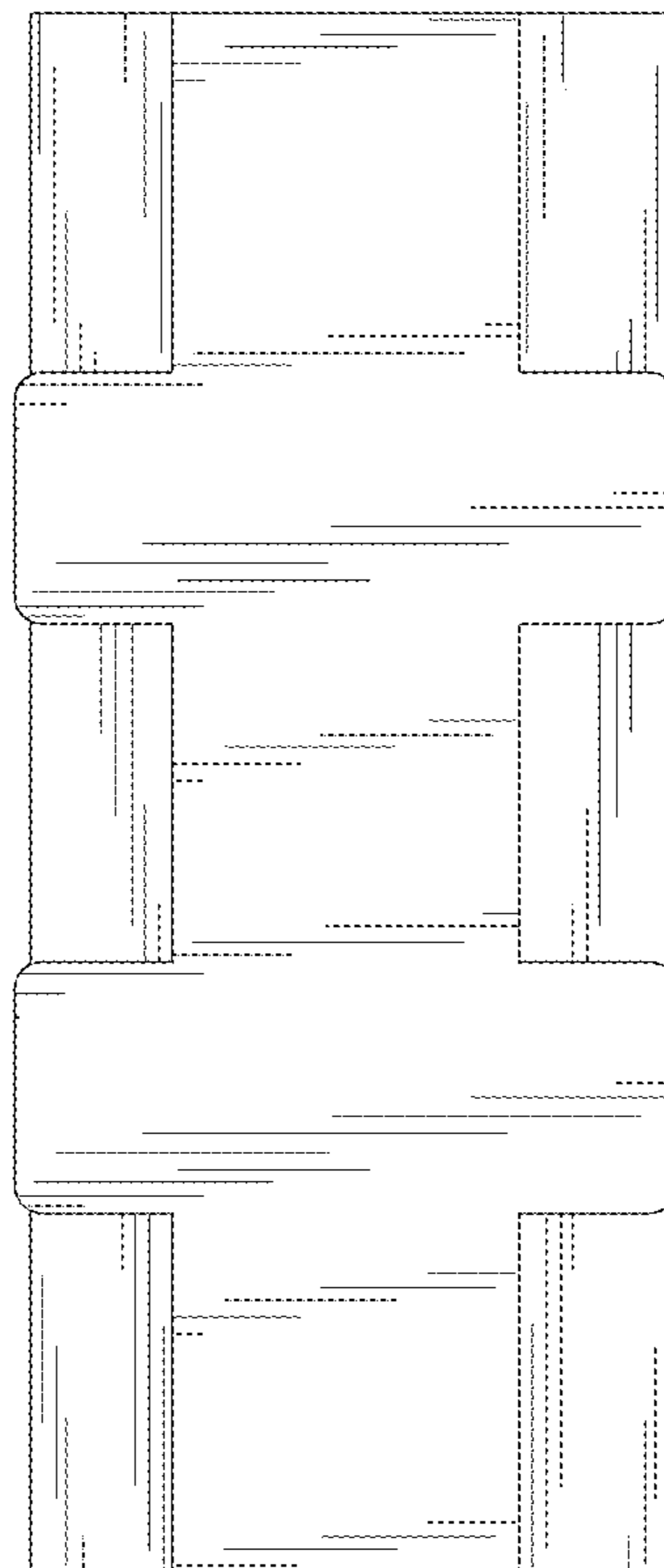


Fig.8



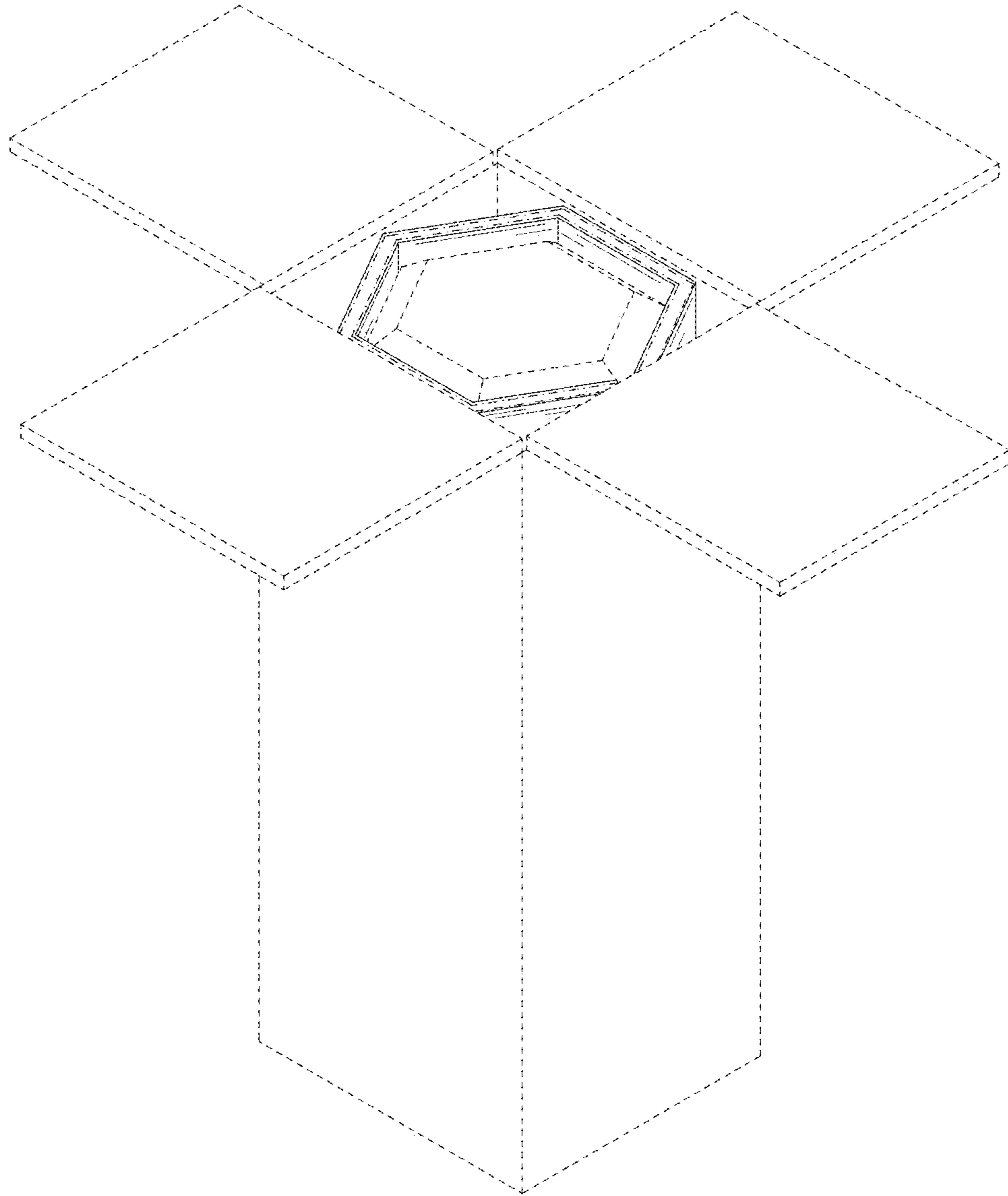


Fig.9