



US00D915200S

(12) **United States Design Patent**  
**Öztürk**

(10) **Patent No.:** **US D915,200 S**

(45) **Date of Patent:** **\*\* Apr. 6, 2021**

(54) **LID FOR CANS**

(71) Applicant: **Wrap4You GmbH Co KG**, Bürs (AT)

(72) Inventor: **Ismail Öztürk**, Bludenz (AT)

(73) Assignee: **Wrap4You GmbH Co KG**, Bürs (AT)

(\*\*) Term: **15 Years**

(21) Appl. No.: **35/506,747**

(22) Filed: **Dec. 18, 2018**

(80) **Hague Agreement Data**

Int. Filing Date: **Dec. 18, 2018**

Int. Reg. No.: **DM/200831**

Int. Reg. Date: **Dec. 18, 2018**

Int. Reg. Pub. Date: **May 17, 2019**

(51) **LOC (13) Cl.** ..... **09-07**

(52) **U.S. Cl.**  
USPC ..... **D9/454**

(58) **Field of Classification Search**  
USPC ..... D9/434, 435, 436, 438, 440, 444, 449,  
D9/454, 499, 903; D7/305, 392, 900,  
D7/213, 500

CPC ..... B65D 17/16; B65D 17/166; B65D 35/24;  
B65D 41/32; B65D 51/18; Y10S 22/906  
See application file for complete search history.

(56) **References Cited**

**U.S. PATENT DOCUMENTS**

D423,932 S \* 5/2000 Miura ..... D9/438  
D510,524 S \* 10/2005 Houk ..... D9/503

D620,662 S \* 7/2010 Blanchard ..... D32/54  
7,798,319 B1 \* 9/2010 Bried ..... B65D 51/16  
206/242  
D635,027 S \* 3/2011 Gonzalez Sanchez ..... D9/449  
D664,840 S \* 8/2012 Jones ..... D9/423  
D752,978 S \* 4/2016 Zabeleta ..... D9/454  
D835,459 S \* 12/2018 Sedgwick ..... D7/392.1  
D861,480 S \* 10/2019 Barrett ..... D9/428  
D871,834 S \* 1/2020 Sarnoff ..... D7/392.1  
D876,230 S \* 2/2020 Hagg ..... D9/443  
2013/0240527 A1 \* 9/2013 Philippe ..... B65D 43/02  
220/270  
2014/0041338 A1 \* 2/2014 Zabaleta ..... B65D 41/32  
53/412

\* cited by examiner

*Primary Examiner* — Bao-Yen T Nguyen

(74) *Attorney, Agent, or Firm* — Collard & Roe, P.C.

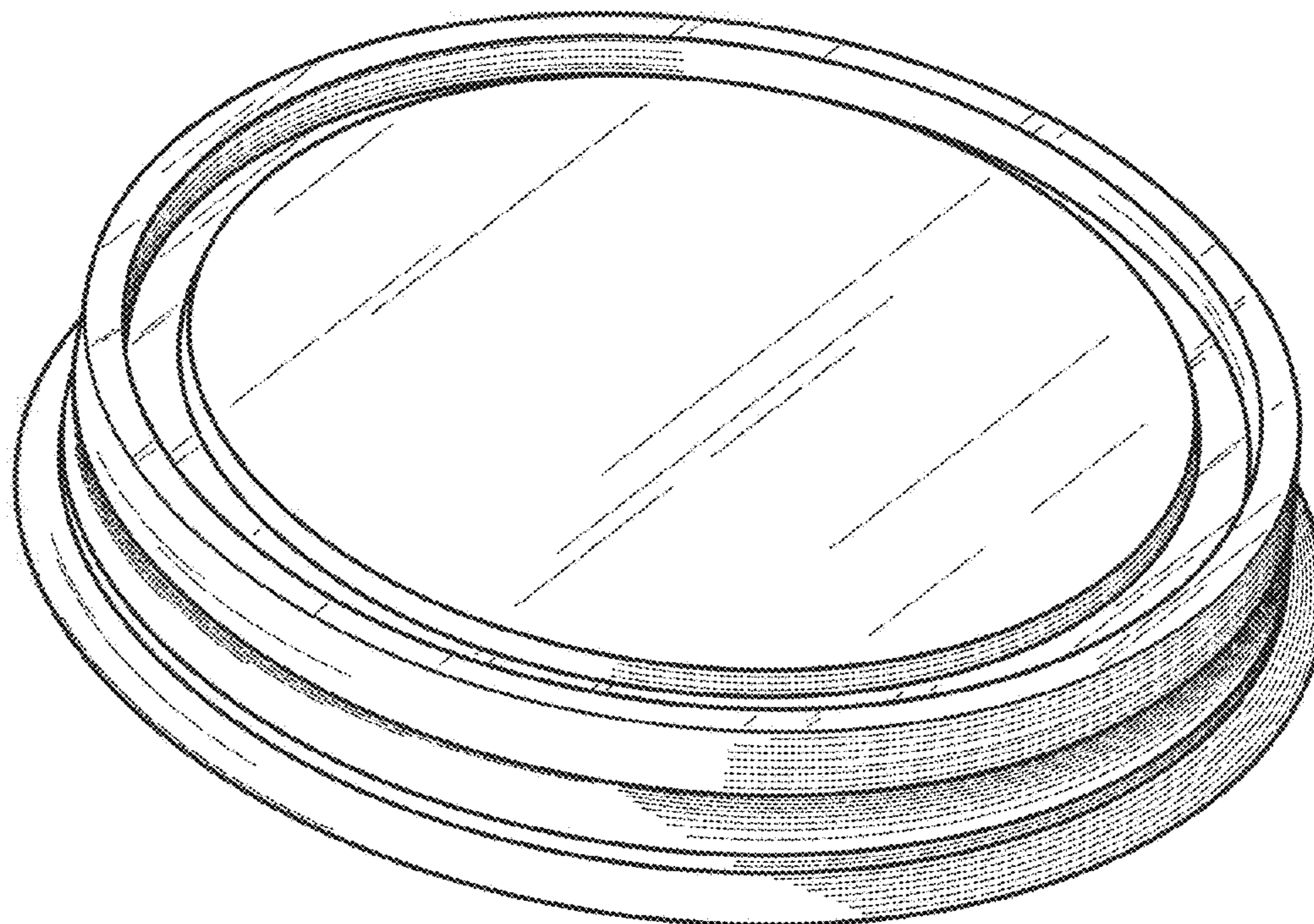
(57) **CLAIM**

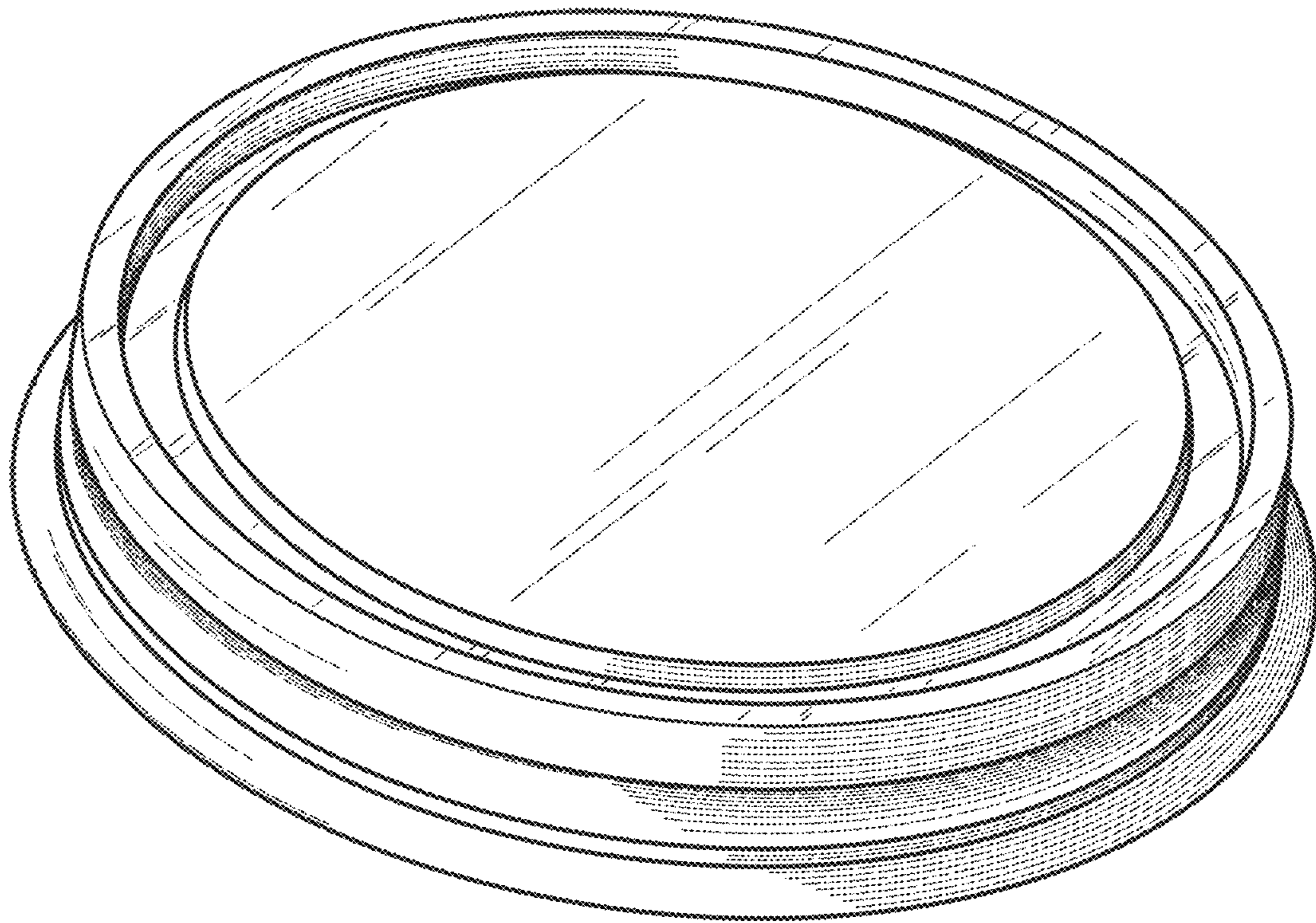
The ornamental design for a lid for cans, as shown and described.

**DESCRIPTION**

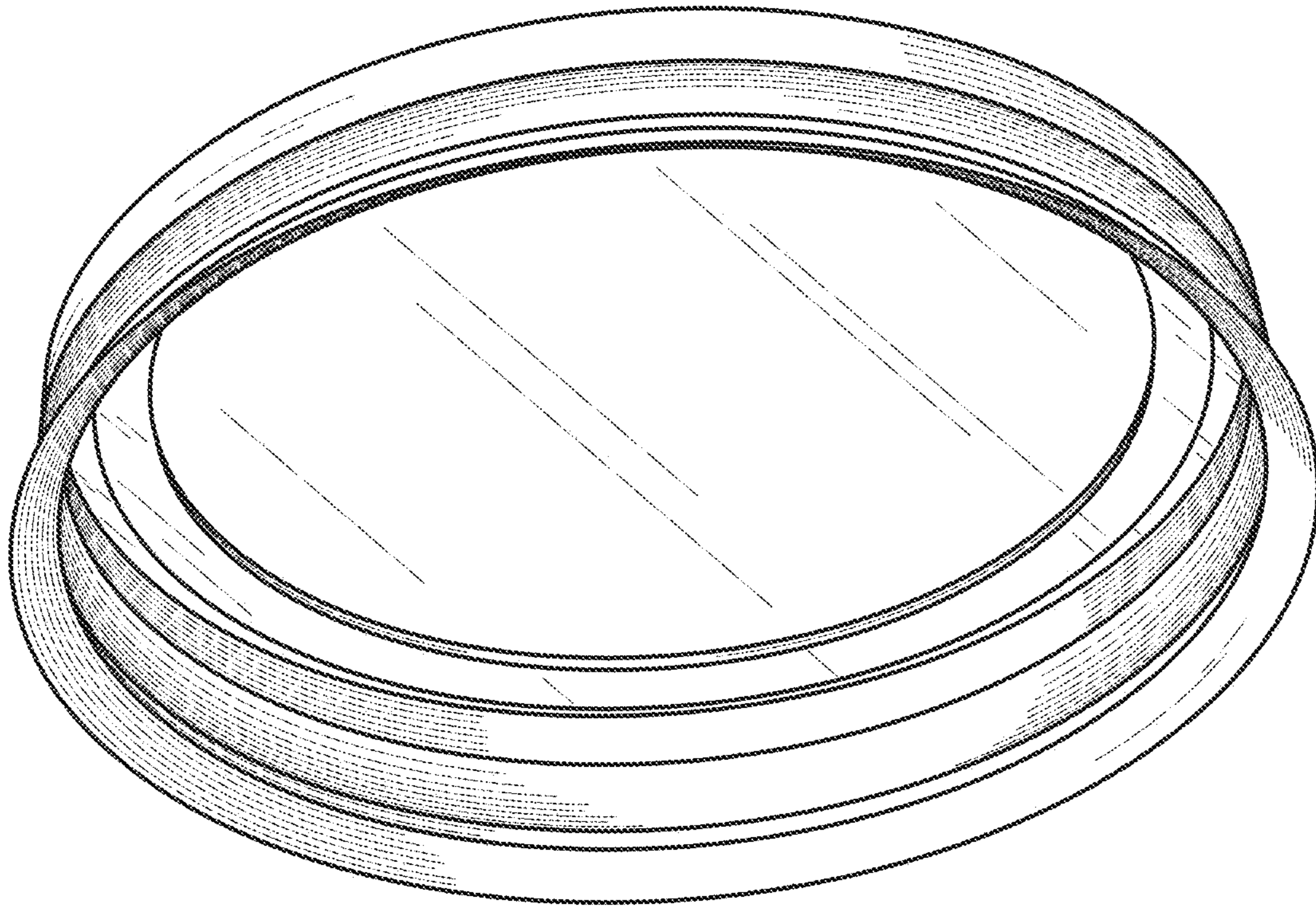
- 1. Lid for cans
- 1.1 : Top perspective
- 1.2 : Bottom perspective
- 1.3 : Top
- 1.4 : Side view, with all other side views being identical
- 1.5 : Bottom

**1 Claim, 5 Drawing Sheets**

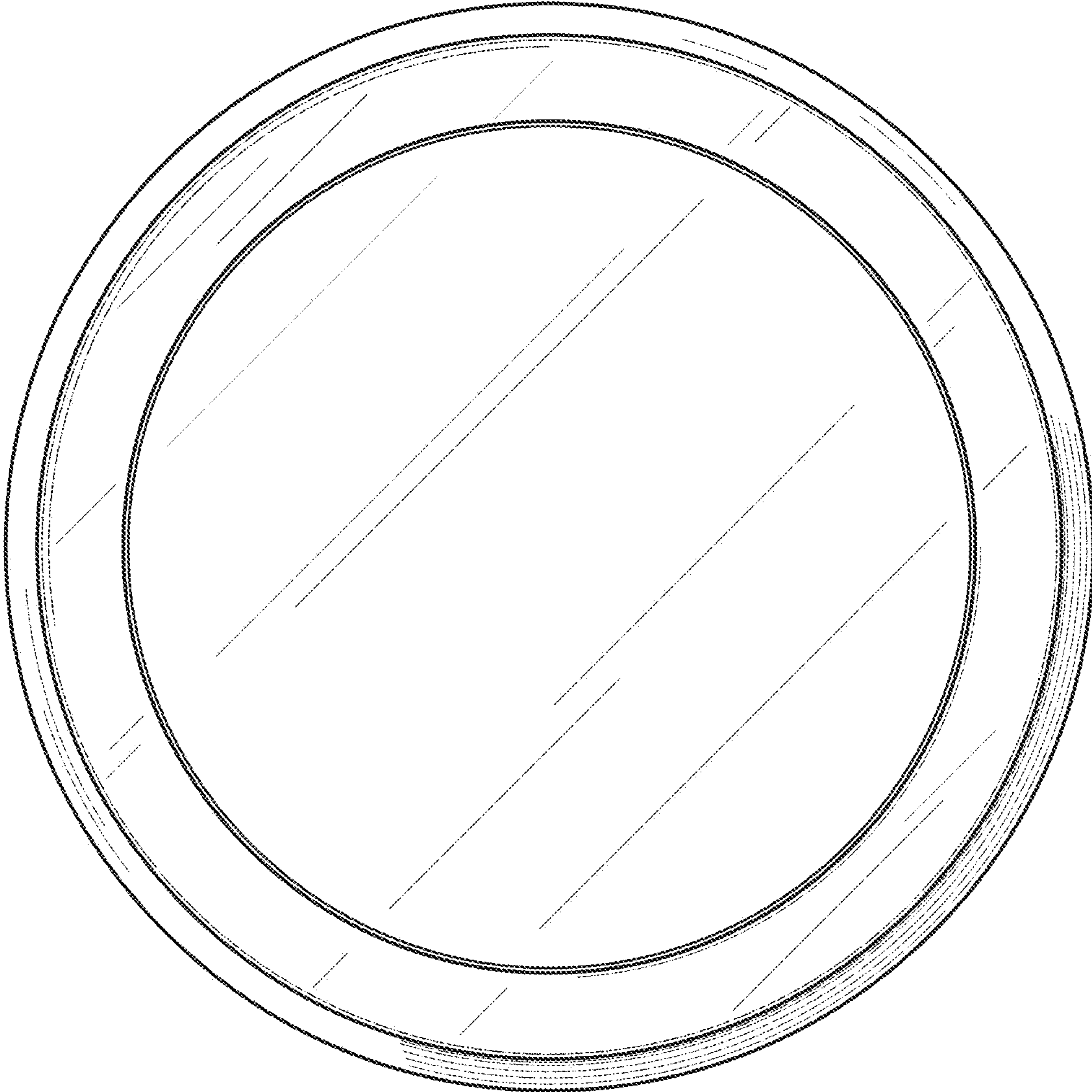




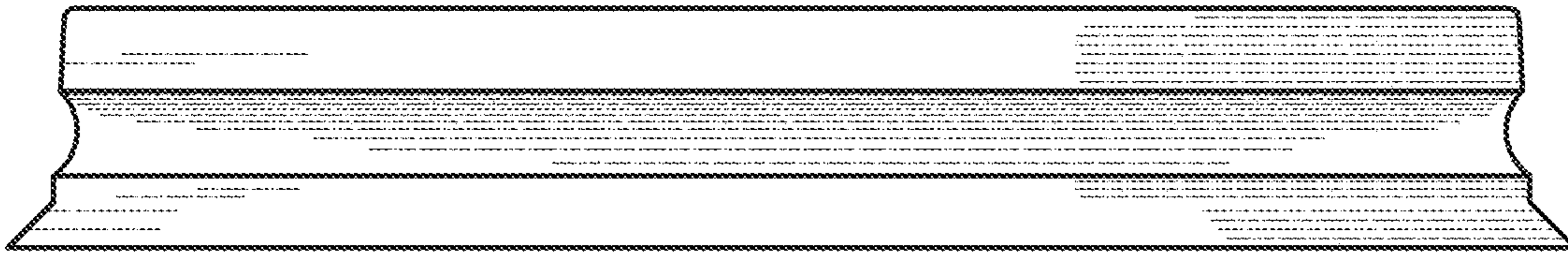
1.1



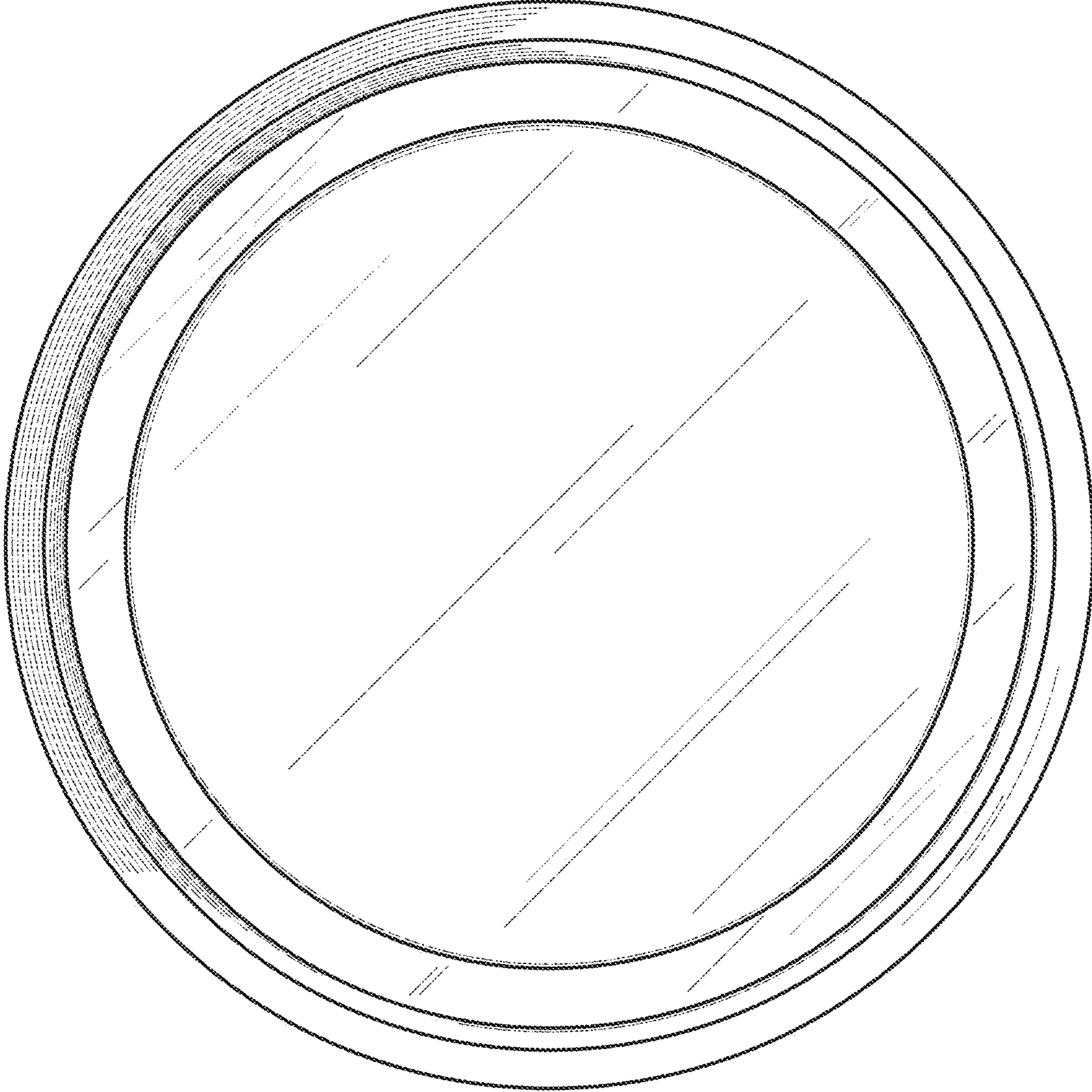
1.2



1.3



1.4



1.5